



US00D802884S

(12) **United States Design Patent**
Bennett

(10) **Patent No.:** **US D802,884 S**

(45) **Date of Patent:** **** Nov. 21, 2017**

- (54) **CARDIAC PATIENT GOWN**
- (71) Applicant: **Lori Bennett**, Maumelle, AR (US)
- (72) Inventor: **Lori Bennett**, Maumelle, AR (US)
- (**) Term: **15 Years**
- (21) Appl. No.: **29/552,924**
- (22) Filed: **Jan. 27, 2016**
- (51) **LOC (10) Cl.** **02-02**
- (52) **U.S. Cl.**
USPC **D2/739**
- (58) **Field of Classification Search**
USPC D2/724-727, 739, 749-755, 828-850
CPC ... A41D 3/00; A41D 3/04; A41D 3/10; A41D
3/043; A41D 3/046; A41D 3/0506; A41D
3/0512; A41D 3/0518; A41D 3/0525;
A41D 3/0556; A41D 3/0575; A41D
3/0537; A41D 3/1209; A41D 3/1227;
A41D 15/00; A41D 27/02; A41D 27/12;
A41D 27/13; A41D 27/20; A41D 27/205;
A41D 29/00

See application file for complete search history.

(56) **References Cited**

U.S. PATENT DOCUMENTS

- 374,113 A 11/1887 Courtman
- 3,369,256 A * 2/1968 Kern A41D 13/1236
2/114
- D266,625 S * 10/1982 Herman D2/720
- 4,422,186 A * 12/1983 Loney A41D 13/129
2/114
- 4,787,101 A 11/1988 Feinberg
- 4,964,173 A * 10/1990 Gordon A41D 13/1236
2/114
- 5,062,159 A 11/1991 Jakub
- 5,088,117 A 2/1992 Fulmer
- 5,184,351 A * 2/1993 Benstock A41D 13/1236
2/105
- D419,748 S * 2/2000 Sartori D2/720

- D463,093 S 9/2002 Murray
- 7,305,716 B1 12/2007 Richards
- D564,730 S * 3/2008 Farrell D2/720
- D565,279 S * 4/2008 Farrell D2/720
- D574,126 S * 8/2008 McCray D2/720
- D601,781 S * 10/2009 Rhodes D2/840
- D646,463 S * 10/2011 Petrovskis D2/720
- D647,688 S * 11/2011 Hilgart D2/720
- D656,710 S * 4/2012 Farris D2/720
- D657,530 S * 4/2012 Farris D2/720
- D721,870 S * 2/2015 Levine D2/720
- 8,990,966 B2 * 3/2015 Von
Furstenberg A41D 13/1236
2/114
- D736,493 S * 8/2015 Pasko A41D 13/129
D2/720
- D741,569 S * 10/2015 Fredrickson D2/720
- D774,729 S * 12/2016 Pasko D2/720
- 9,521,871 B2 * 12/2016 Bolla A41D 13/1245
- D779,156 S * 2/2017 Pasko D2/720
- D791,434 S * 7/2017 Pasko D2/720
- 2012/0204317 A1 8/2012 Bolla

* cited by examiner

Primary Examiner — Cathron Brooks

Assistant Examiner — Aula Soroush

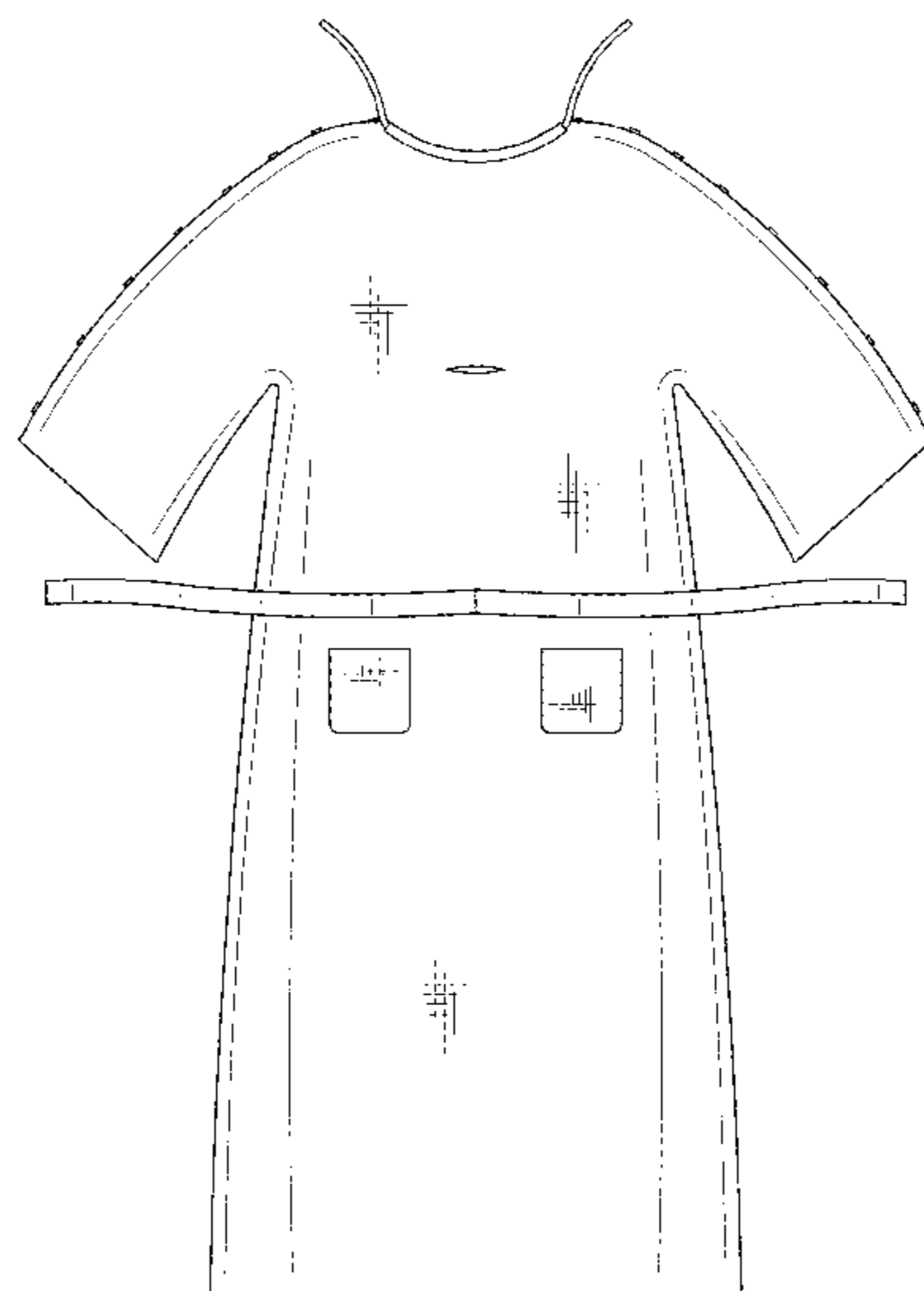
(57) **CLAIM**

The ornamental design for a cardiac patient gown, as shown and described.

DESCRIPTION

FIG. 1 is a front view of a cardiac patient gown showing my new design;
 FIG. 2 is a rear view of the cardiac patient gown;
 FIG. 3 is a left side view of the cardiac patient gown, a right side view being a mirror image thereof;
 FIG. 4 is a top view of the cardiac patient gown; and,
 FIG. 5 is a bottom view of the cardiac patient gown.

1 Claim, 4 Drawing Sheets



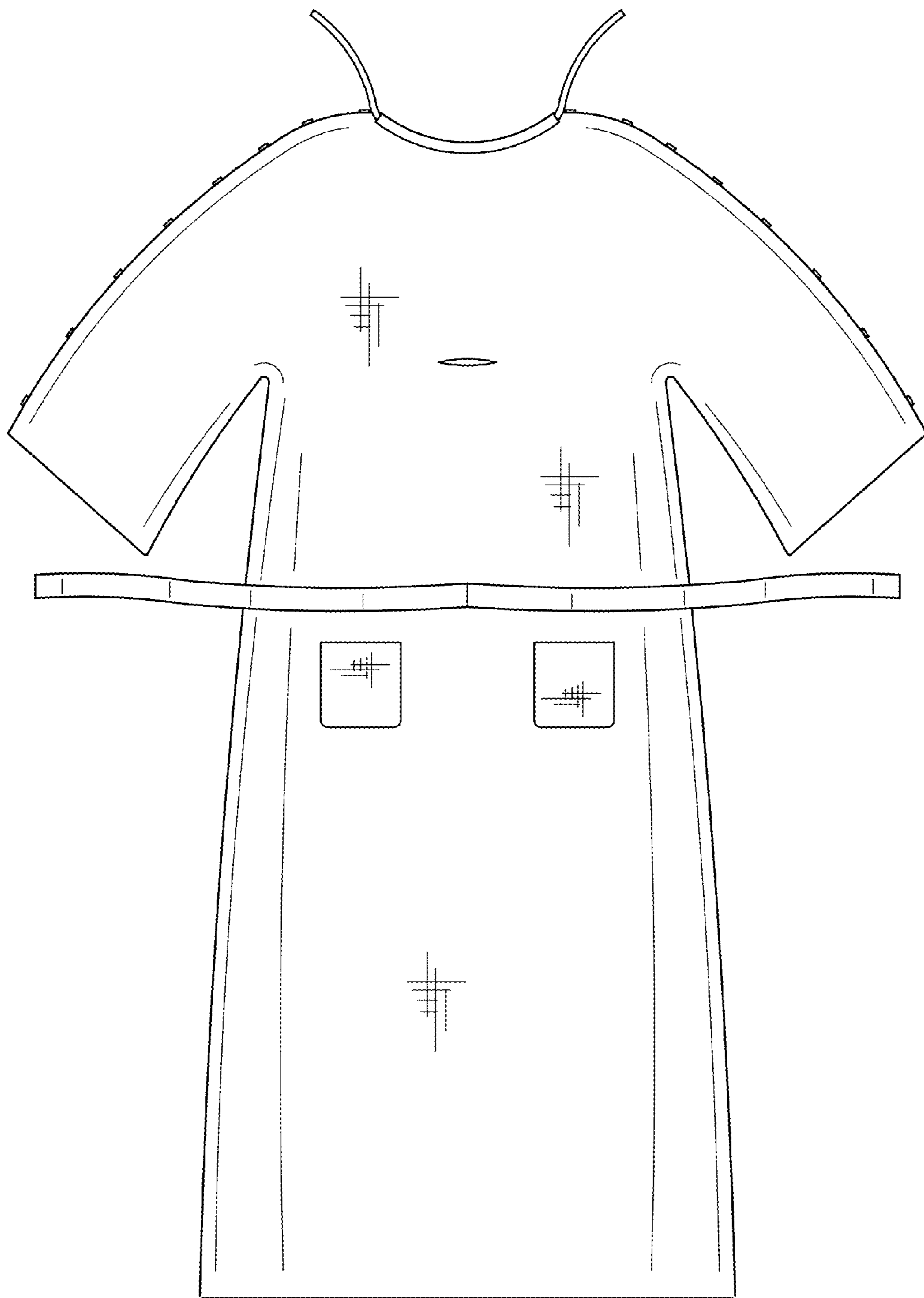


FIG. 1

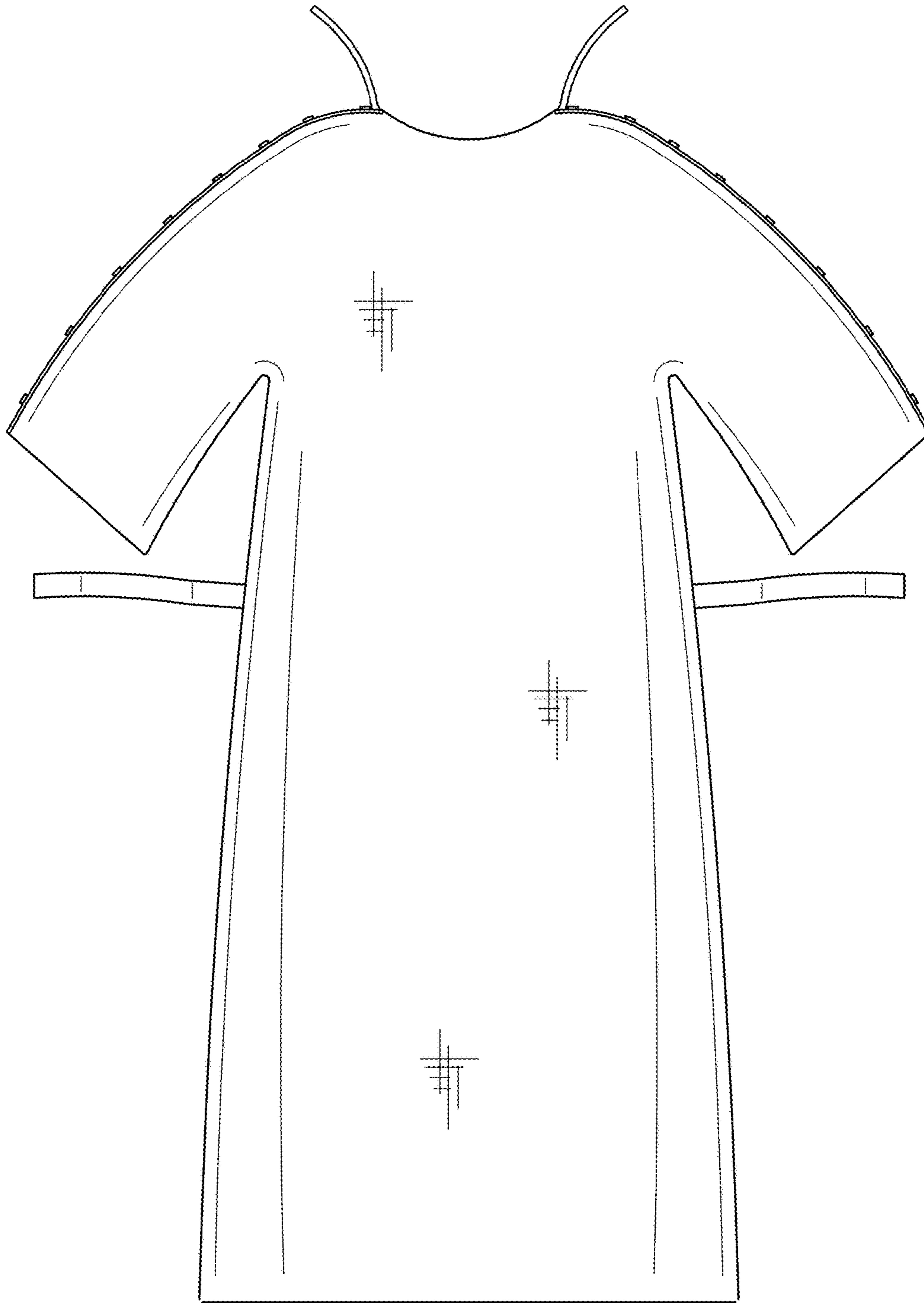


FIG. 2

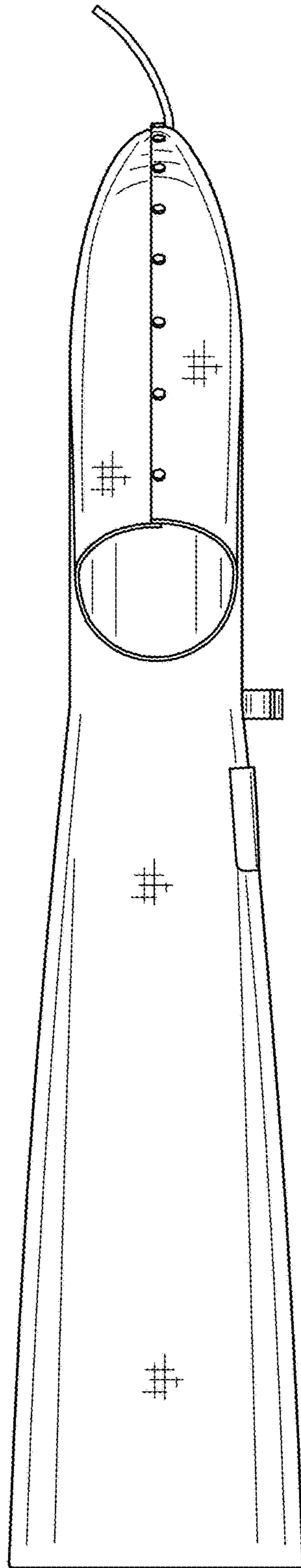


FIG. 3

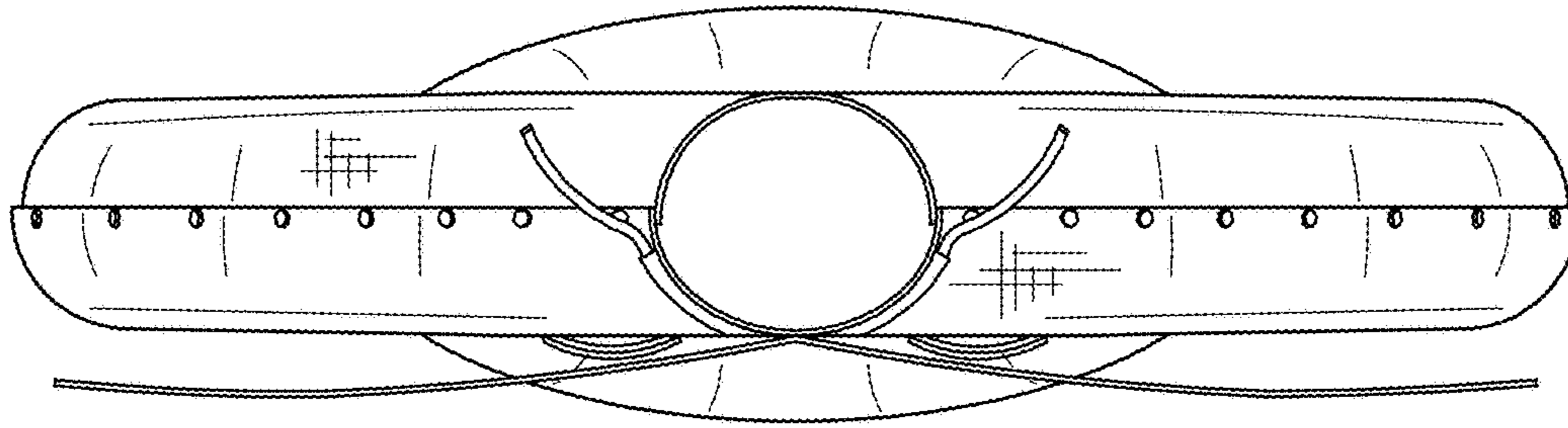


FIG. 4

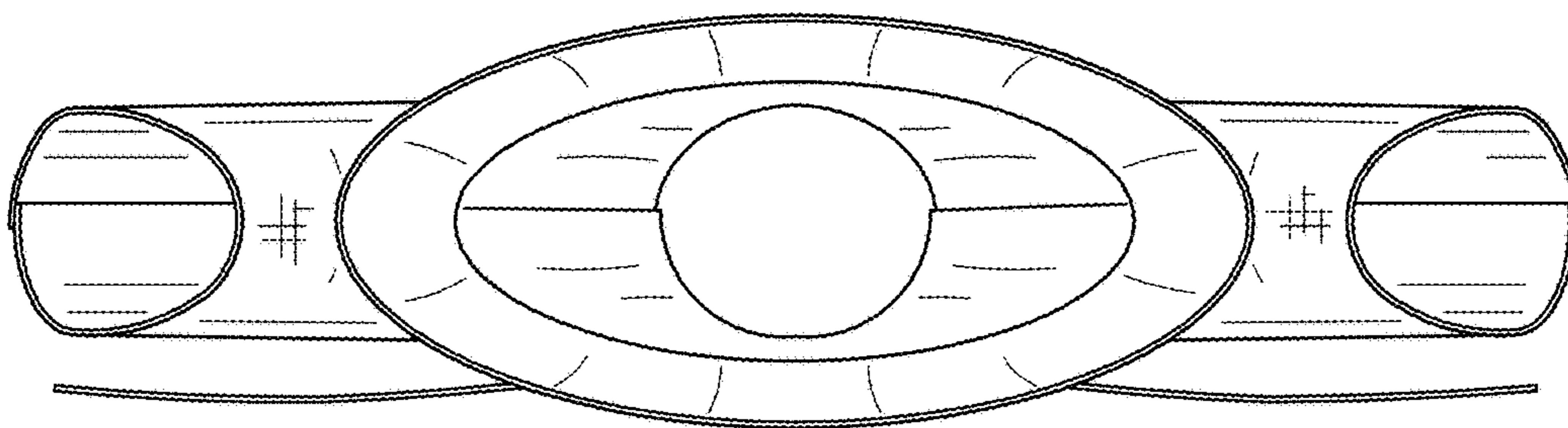


FIG. 5