



US00D802882S

(12) **United States Design Patent** (10) **Patent No.:** **US D802,882 S**
Tomita (45) **Date of Patent:** **** Nov. 21, 2017**

(54) **BELT WITH AN INTEGRATED LIGHT
HOLDER ATTACHMENT**

D617,549 S * 6/2010 Bye D3/221
D691,795 S 10/2013 Do
D738,618 S 9/2015 Do
D797,400 S * 9/2017 Diles D2/629

(71) Applicant: **Paul K. Tomita**, Mill Valley, CA (US)

(72) Inventor: **Paul K. Tomita**, Mill Valley, CA (US)

(**) Term: **15 Years**

(21) Appl. No.: **29/585,699**

(22) Filed: **Nov. 28, 2016**

(51) **LOC (10) Cl.** **02-07**

(52) **U.S. Cl.**
USPC **D2/629**

(58) **Field of Classification Search**
USPC D2/628-630; D30/153; 2/300, 322, 338,
2/920; 24/163 K; 446/28; 224/219, 222,
224/267, 269, 660, 904; 182/9
CPC A41F 9/002; A44B 11/001; A44B 11/005;
E06C 7/187
See application file for complete search history.

(56) **References Cited**

U.S. PATENT DOCUMENTS

1,010,763 A * 12/1911 Hogan E06C 7/187
182/8
4,715,839 A * 12/1987 Ford A44B 11/001
2/300

* cited by examiner

Primary Examiner — Catherine R Oliver-Garcia
(74) *Attorney, Agent, or Firm* — Staniford Tomita LLP

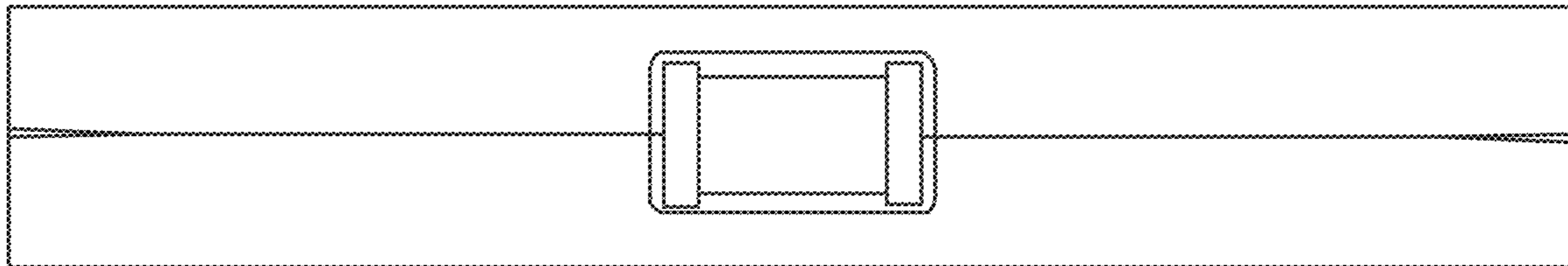
(57) **CLAIM**

The ornamental design for the belt with an integrated light holder attachment, as shown and described.

DESCRIPTION

FIG. 1 is a top plan view of the belt with an integrated light holder attachment, shown in use;
FIG. 2 is a front elevation view thereof;
FIG. 3 is a front elevation view, shown in use;
FIG. 4 is a rear elevation view thereof;
FIG. 5 is a right side view thereof; and,
FIG. 6 is a right side view, shown in use.
The broken lines depict environment and are included for the purpose of illustrating only and form no part of the claimed design.

1 Claim, 2 Drawing Sheets



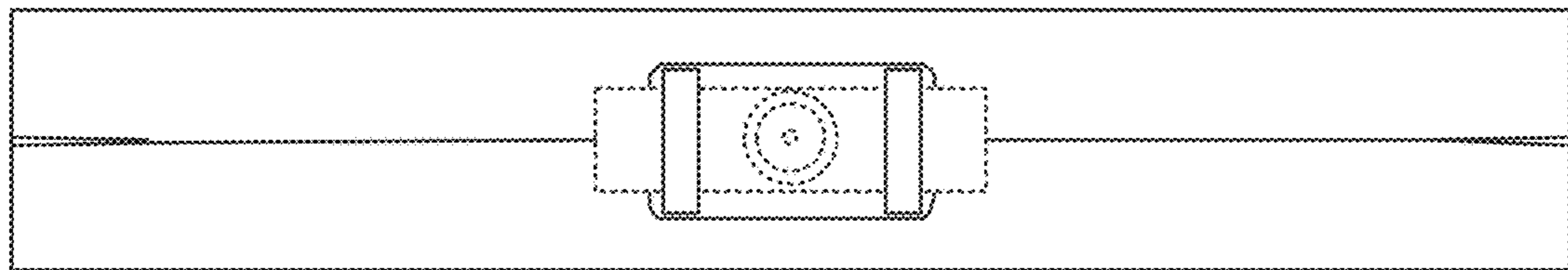
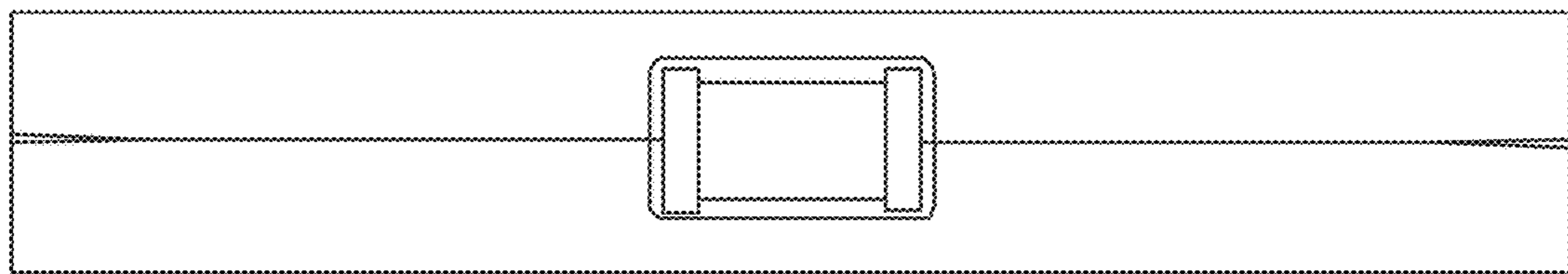
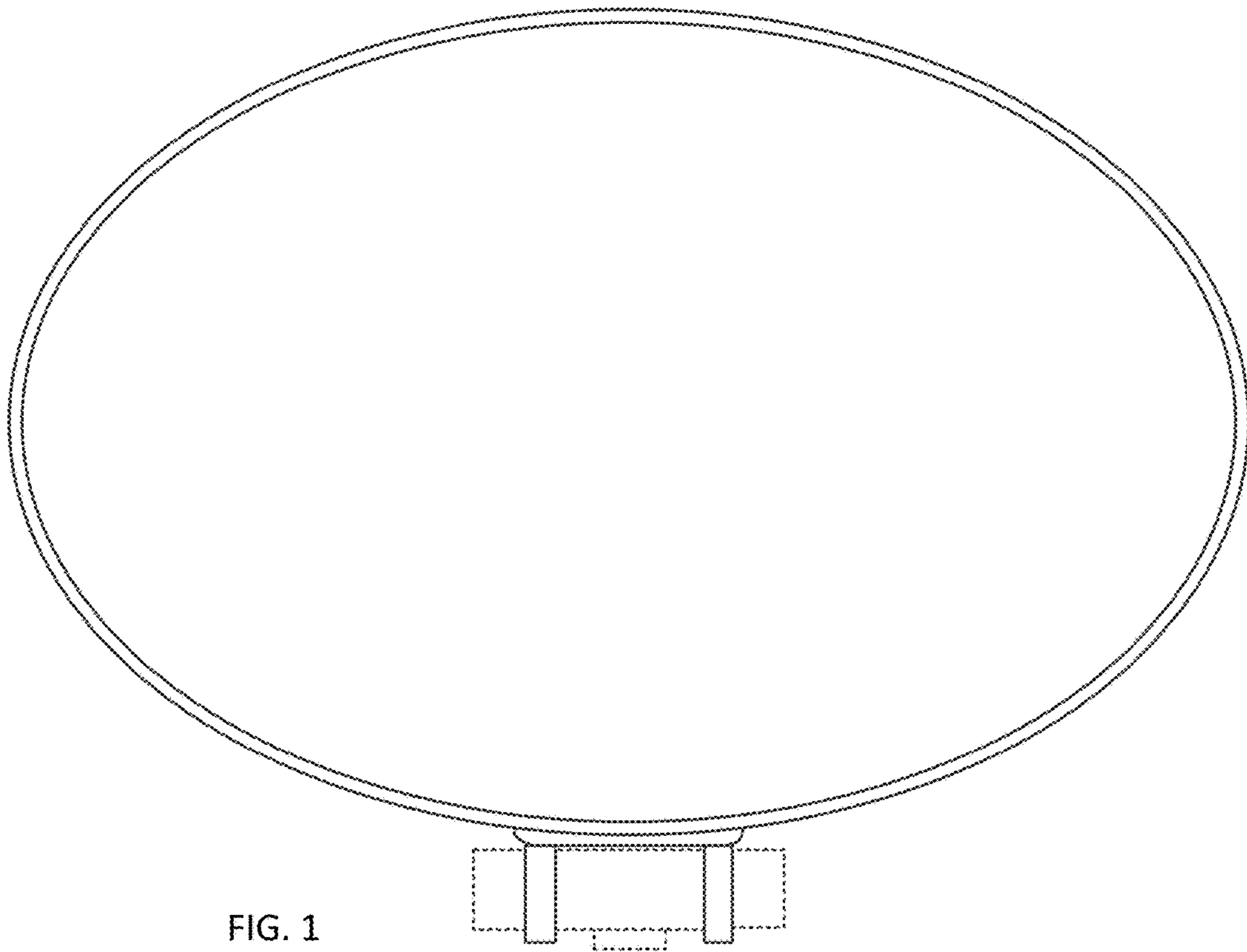


FIG. 3

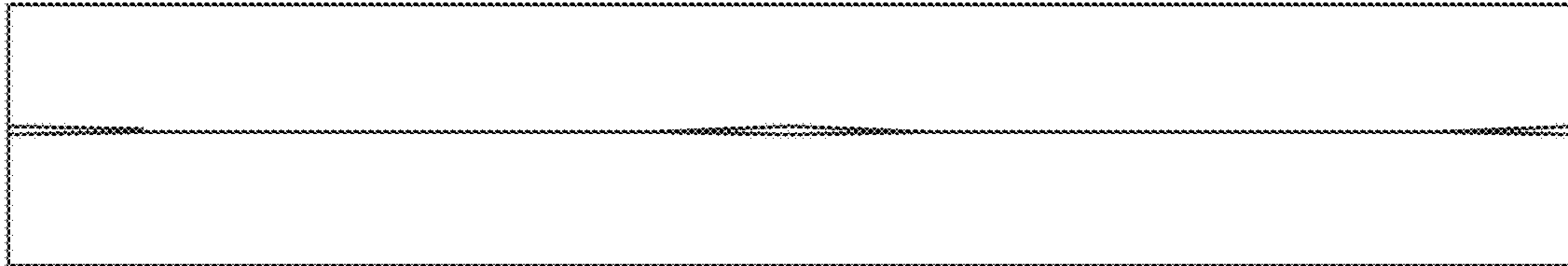


FIG. 4

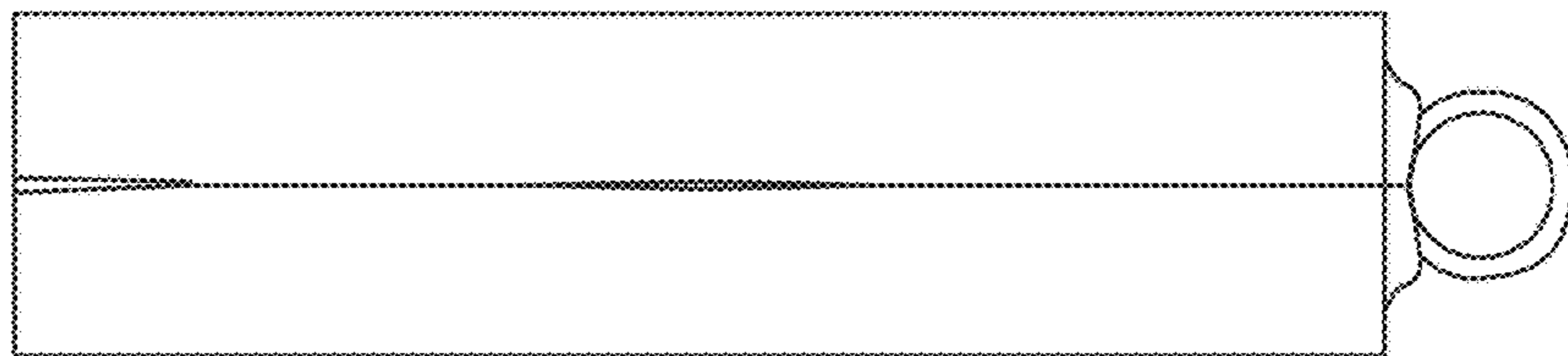


FIG. 5

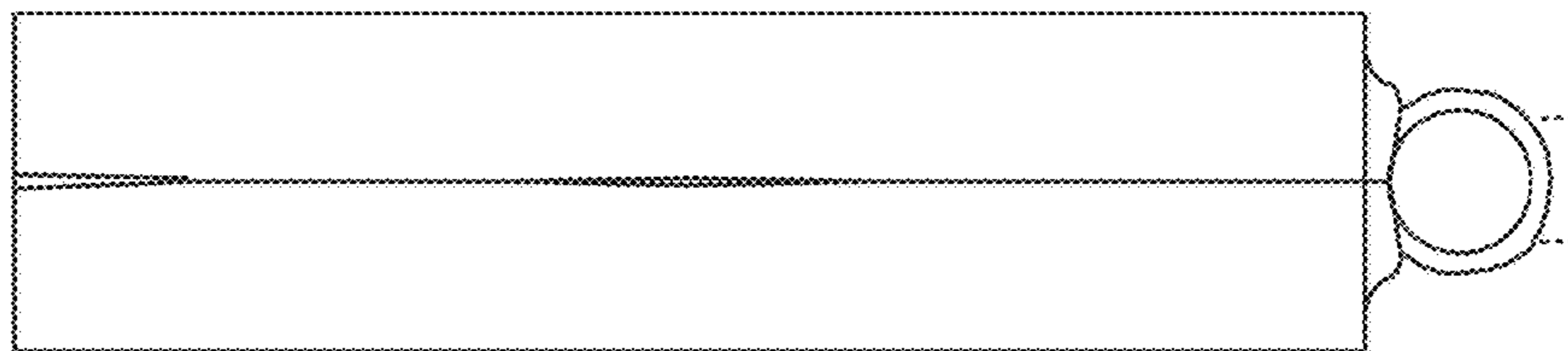


FIG. 6