



US00D802881S

(12) **United States Design Patent**
Falcone

(10) **Patent No.:** **US D802,881 S**

(45) **Date of Patent:** **** Nov. 21, 2017**

(54) **FOOD PRODUCT**

(71) Applicant: **Mars, Incorporated**, McLean, VA (US)

(72) Inventor: **Vincent Joseph Falcone**, Inverness, IL (US)

(73) Assignee: **Mars, Incorporated**, McLean, VA (US)

(**) Term: **15 Years**

(21) Appl. No.: **29/569,835**

(22) Filed: **Jun. 30, 2016**

(51) **LOC (10) Cl.** **01-01**

(52) **U.S. Cl.**
USPC **D1/199**

(58) **Field of Classification Search**
USPC D1/100-130, 199; 426/5, 76, 87, 92, 94,
426/95, 99, 101, 103, 108, 138-139, 143,
426/144, 279, 282, 283, 391, 514, 549,
426/660; D13/100; D24/101-104;
D28/8.1; 424/467; 425/195; 34/296;
D6/601; D9/453
CPC .. A61K 9/2072; A61K 9/0004; A61K 9/2095;
A61K 9/209
See application file for complete search history.

(56) **References Cited**

U.S. PATENT DOCUMENTS

D16,030 S	4/1885	Schwarzchild et al.
D18,206 S	3/1888	Schwarzchild et al.
1,319,899 A	10/1919	John et al.
2,103,083 A	12/1937	Lynch
D207,167 S	3/1967	Fisher
4,109,649 A	8/1978	Iyomasa
D303,728 S	10/1989	Spanier et al.
D305,950 S	2/1990	Spiel et al.
D305,952 S	2/1990	Spanier et al.
D320,495 S	10/1991	Pallesen
5,240,720 A	8/1993	Axelrod

D338,993 S	9/1993	Lilly	
D358,007 S *	5/1995	Axelrod	D1/199
5,553,570 A *	9/1996	VanNatter, III	A01K 15/026
			119/51.01
D383,782 S *	9/1997	Decker	D19/64
5,832,877 A *	11/1998	Markham	A01K 15/026
			119/710

6,116,191 A	9/2000	Suchowski et al.
6,168,822 B1	1/2001	Reicks et al.

(Continued)

OTHER PUBLICATIONS

PetCare Advertisement, IAMS Tartar Treats, Mar. 2006.

Primary Examiner — Garth Rademaker

Assistant Examiner — Katie Stofko

(74) *Attorney, Agent, or Firm* — Greenberg Traurig, LLP

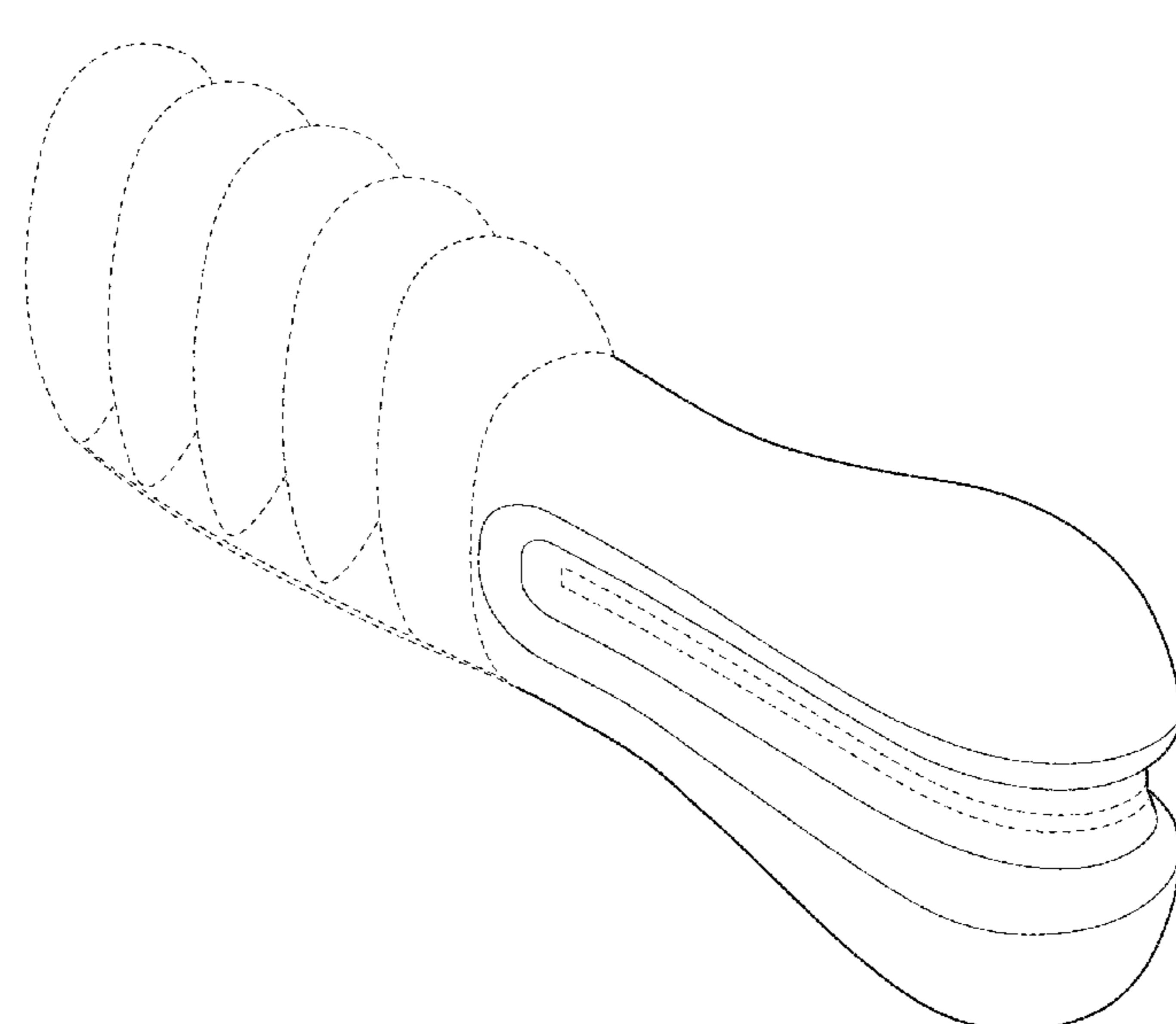
(57) **CLAIM**

The ornamental design for a food product, as shown and described.

DESCRIPTION

FIG. 1 is a perspective view of a food product showing my new design;
FIG. 2 is a front view of the food product shown in FIG. 1;
FIG. 3 is a rear view of the food product shown in FIG. 1;
FIG. 4 is a left side view of the food product shown in FIG. 1;
FIG. 5 is a right side view of the food product shown in FIG. 1;
FIG. 6 is a top view of the food product shown in FIG. 1; and,
FIG. 7 is a bottom view of the food product shown in FIG. 1.
The broken lines shown in FIGS. 1-7 illustrate portions of the food product that form no part of the claimed design.

1 Claim, 7 Drawing Sheets



(56)

References Cited

U.S. PATENT DOCUMENTS

D460,601 S *	7/2002	Tenzer	D1/106
D469,238 S	1/2003	Bedi et al.	
D481,867 S *	11/2003	Hotz	D3/271.2
D499,226 S	12/2004	Axelrod	
D501,286 S *	2/2005	Wang	D1/199
D503,998 S	4/2005	Axelrod	
D528,736 S	9/2006	Koenig et al.	
D529,667 S	10/2006	Axelrod	
D530,481 S	10/2006	Koenig et al.	
D531,365 S	10/2006	Axelrod	
D531,383 S	11/2006	Dettmer et al.	
D536,506 S *	2/2007	Unlu	D1/106
D584,477 S	1/2009	Caudill et al.	
D587,427 S	3/2009	Torney et al.	
D587,428 S	3/2009	Torney et al.	
D587,429 S	3/2009	Torney et al.	
7,497,189 B2	3/2009	Torney	
D590,127 S	4/2009	Caudill et al.	
D603,127 S	11/2009	Townsend et al.	
D603,578 S	11/2009	Townsend et al.	
D635,326 S	4/2011	Freije	
D638,606 S	5/2011	Freije	
D639,526 S	6/2011	Allen et al.	
D687,950 S *	8/2013	Gitman	D24/133
D694,964 S *	12/2013	Axelrod	D30/160
8,925,494 B2	1/2015	Pang et al.	
D740,518 S *	10/2015	Axelrod	D1/106
D745,241 S	12/2015	Doerr	
D747,465 S *	1/2016	Homsy	D24/112
2006/0102099 A1	5/2006	Edwards	
2006/0222748 A1	10/2006	Kobayashi et al.	
2007/0101946 A1	5/2007	Penny	
2015/0320072 A1 *	11/2015	Bufton	A23G 1/54 426/93

* cited by examiner

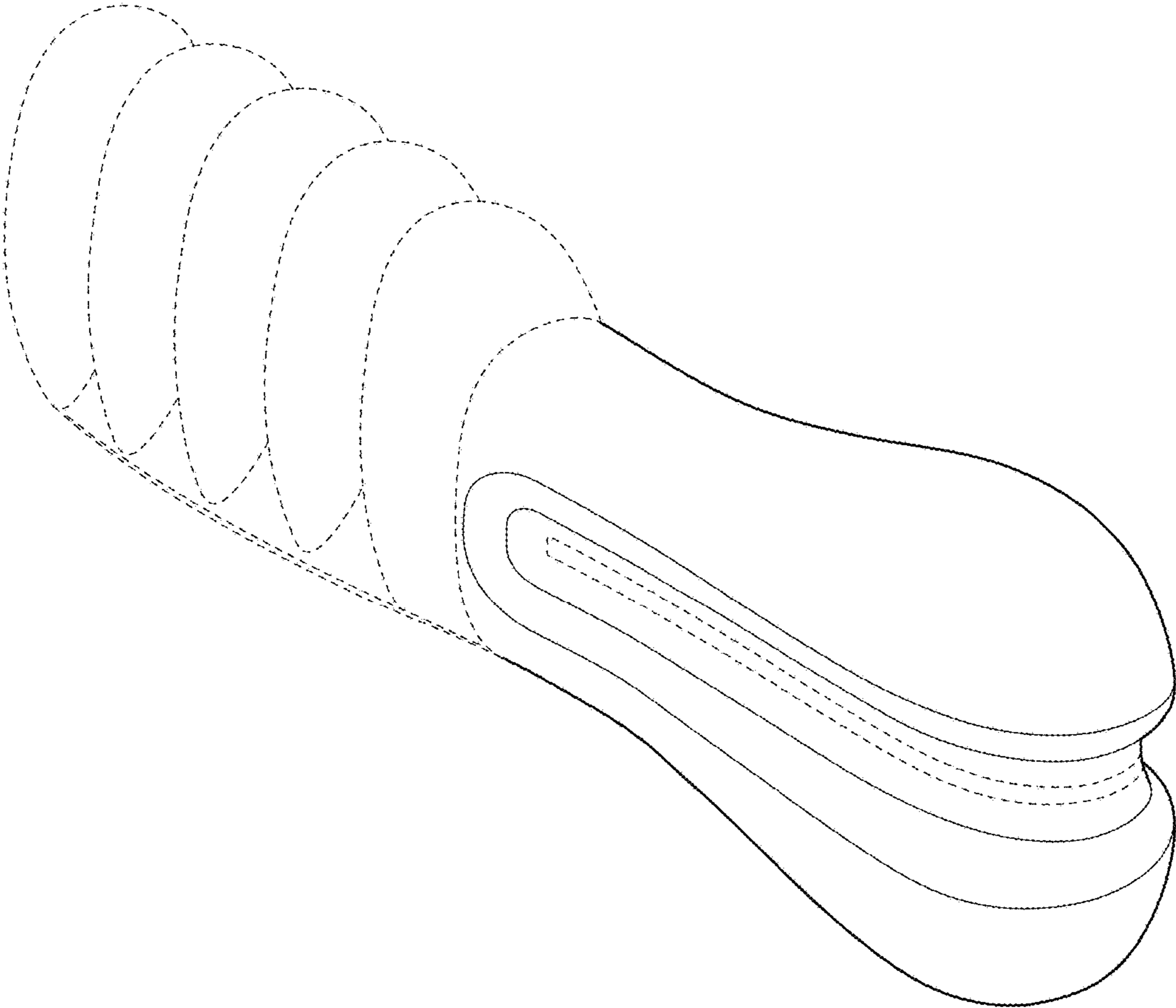


FIG. 1

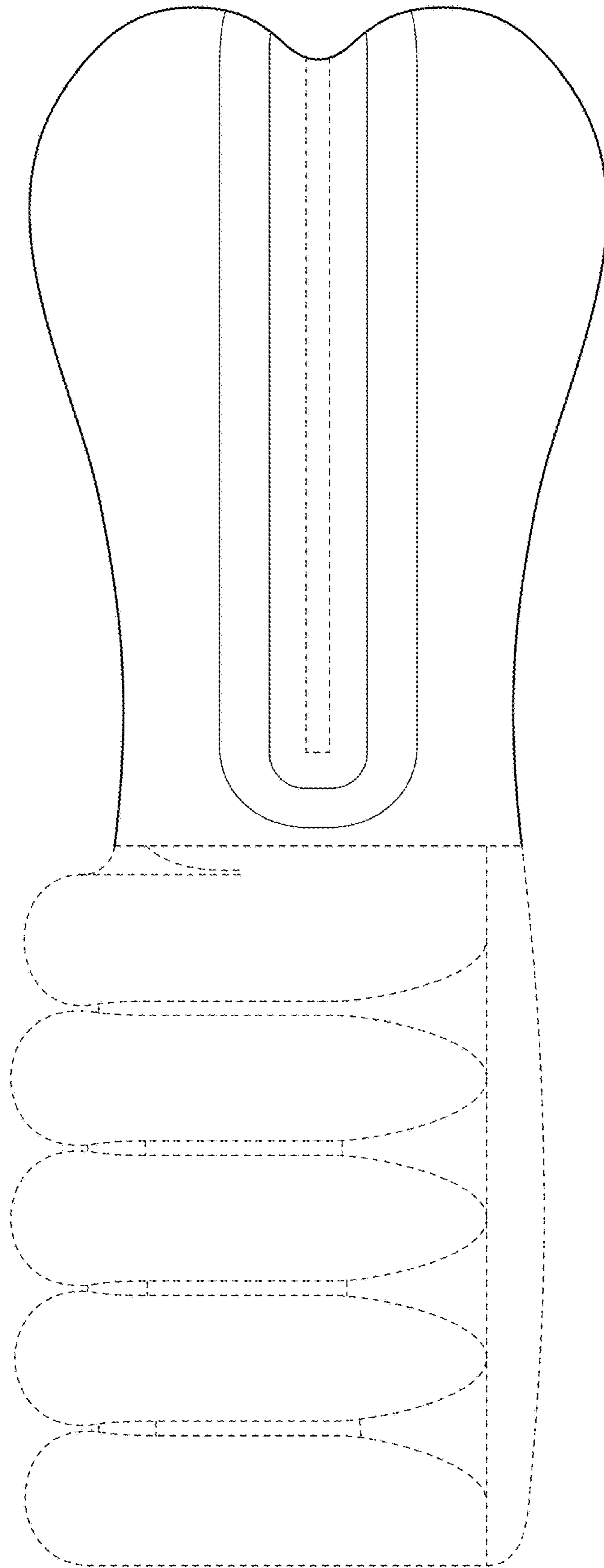


FIG. 2

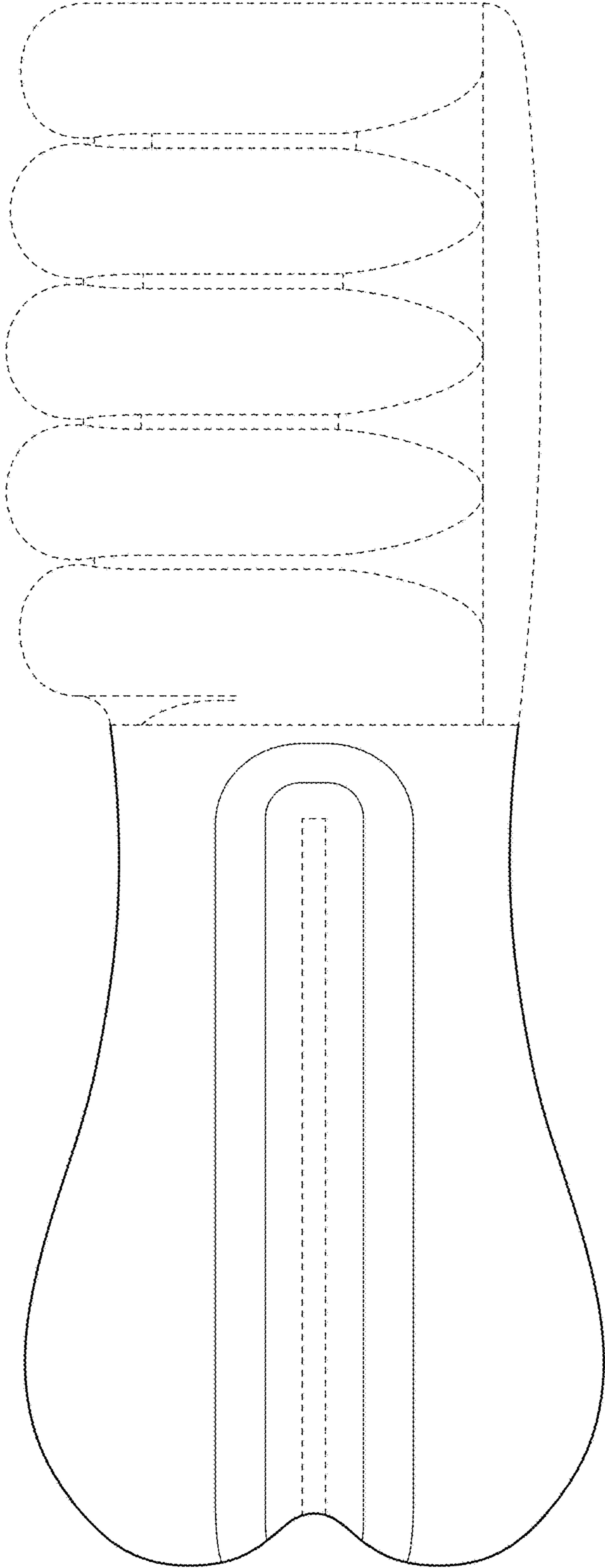


FIG. 3

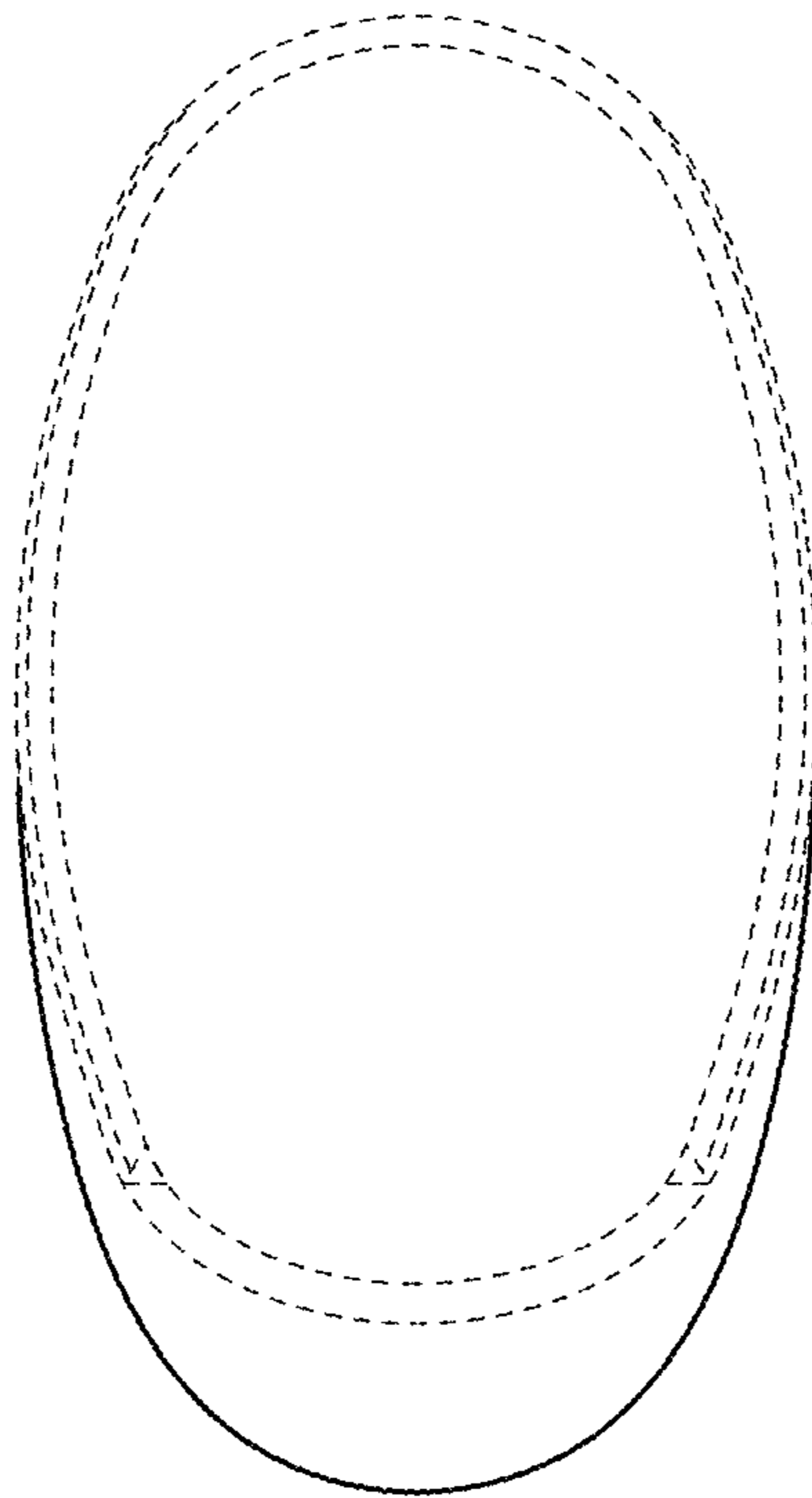


FIG. 4

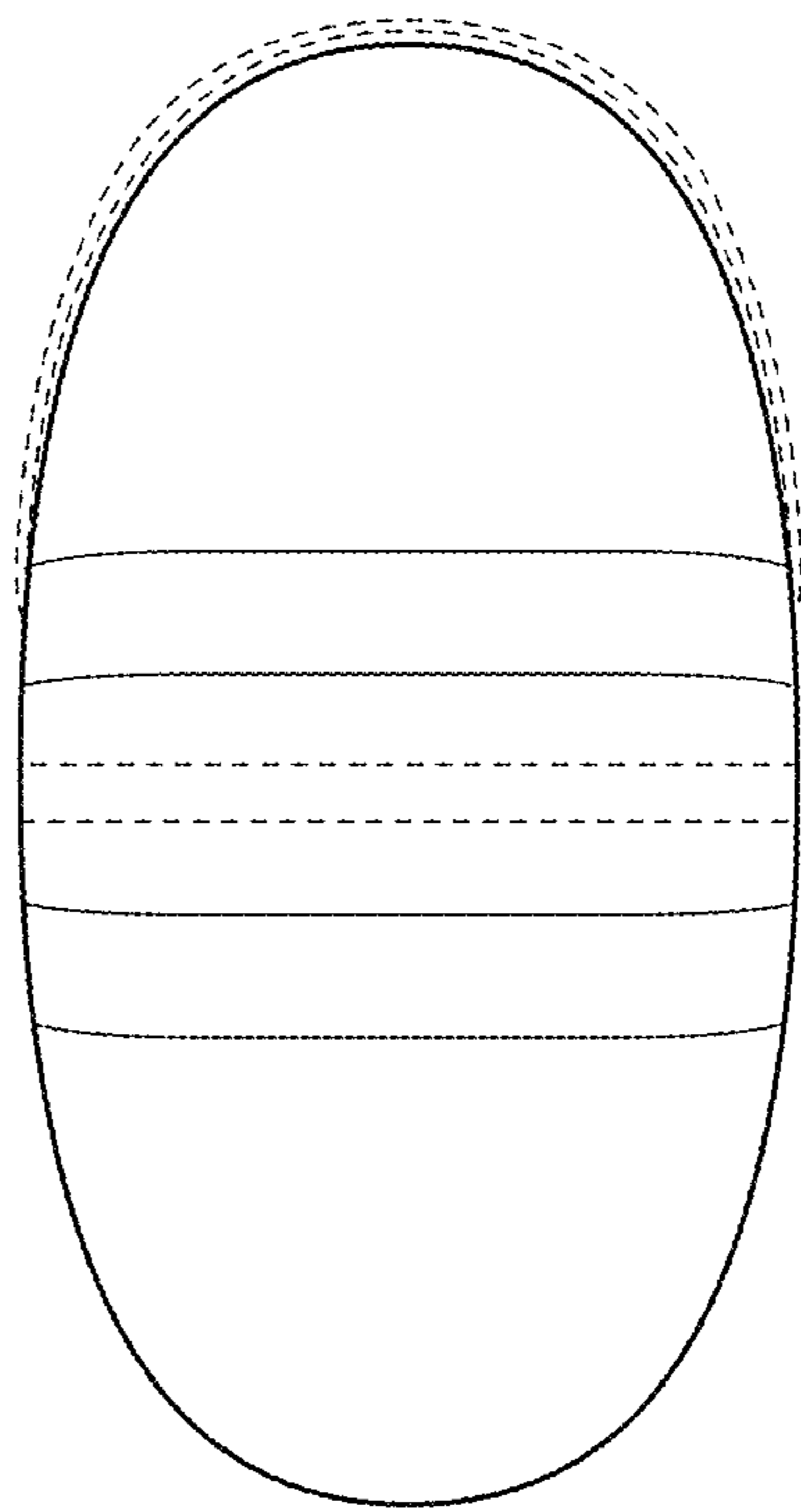


FIG. 5

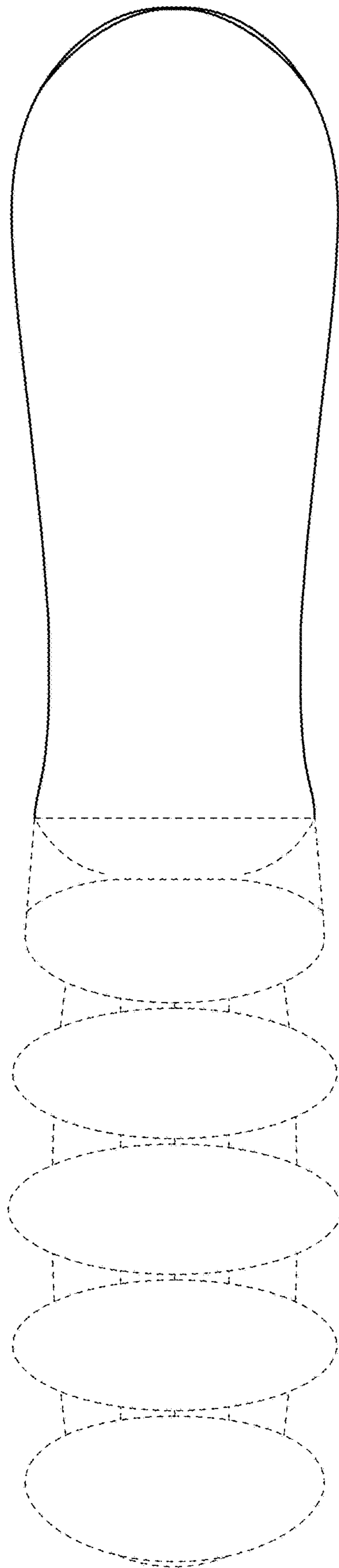


FIG. 6

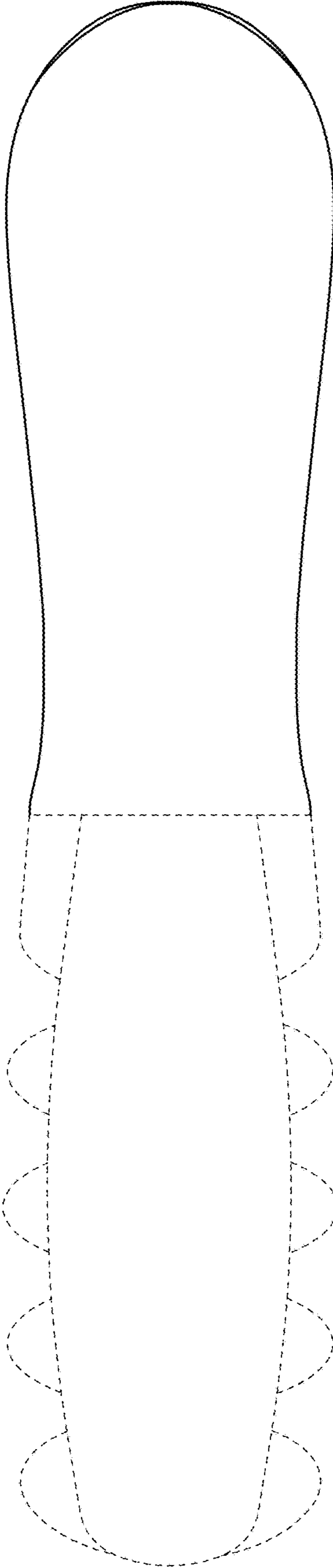


FIG. 7