

US00D802877S

(12) **United States Design Patent** (10) **Patent No.:** **US D802,877 S**  
**King et al.** (45) **Date of Patent:** **\*\* Nov. 14, 2017**

(54) **MULTISPACE PARKING PAY STATION** E05G 2700/00; E05G 2700/02; E05B 65/0075

(71) Applicant: **IPS GROUP INC.**, San Diego, CA (US) See application file for complete search history.

(72) Inventors: **David William King**, Rancho Santa Fe, CA (US); **David Andrew Jones**, Beecroft (AU); **Choor-Hong Tan**, Wentworth Point (AU)

(73) Assignee: **IPS GROUP INC.**, San Diego, CA (US)

(\*\*) Term: **15 Years**

(21) Appl. No.: **29/567,866**

(22) Filed: **Jun. 13, 2016**

(51) **LOC (10) Cl.** ..... **06-04**

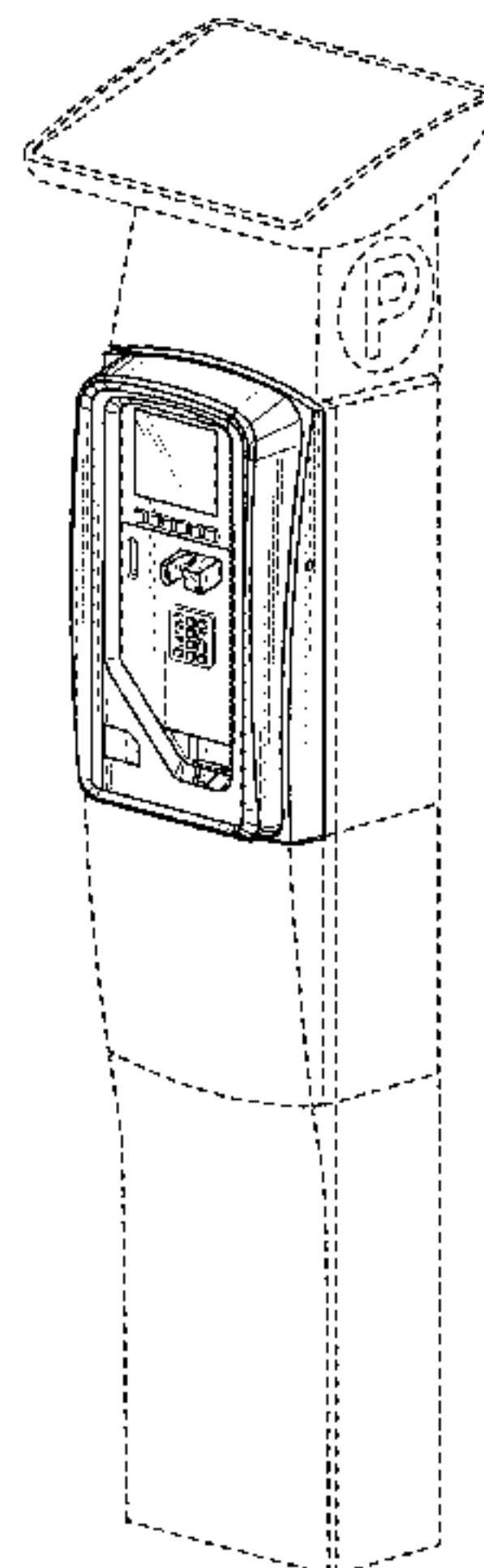
(52) **U.S. Cl.**  
USPC ..... **D99/28**

(58) **Field of Classification Search**  
 USPC ..... D10/40, 41, 42, 43, 44, 45; D99/28, 29, D99/30, 34, 35, 36, 43, 99; D14/300-302, 305, 307, 900-902; D21/324, 325, 329, 369, 370  
 CPC ... G07B 5/02; G07B 5/04; G07B 5/06; G07B 11/02; G07B 11/03; G07B 15/02; G07B 1/00; G07B 1/02; G07B 3/00; G07B 3/02; G07B 3/04; G07B 5/00; G07C 1/30; G07F 17/00; G07F 17/24; G07F 17/242; G07F 17/248; G07F 19/20; G07F 19/201; G07F 19/202; G07F 19/203; G07F 19/204; G07F 19/205; E05G 1/00; E05G 1/005; E05G 1/02; E05G 1/024; E05G 5/00; E05G 5/003; E05G 5/006; E05G 5/02; E05G 7/00; E05G 7/001;

(56) **References Cited**

U.S. PATENT DOCUMENTS

D161,888	S *	2/1951	Wilkins	.....	D10/42
D246,917	S *	1/1978	Sauter	.....	D21/325
D278,689	S	5/1985	Jupe		
4,615,280	A *	10/1986	Shoop	.....	G07F 19/205 106/644
5,065,156	A	11/1991	Bernier		
D331,996	S *	12/1992	Fukutake	.....	D99/28
D336,860	S	6/1993	Clough		
D342,209	S	12/1993	Clough		
D354,047	S *	1/1995	Leggate	.....	D10/109.1
D360,734	S	7/1995	Hall		
D360,737	S *	7/1995	Helbig, Jr.	.....	D99/28
D375,607	S	11/1996	Hall		
D396,655	S	8/1998	Anderson		
D412,289	S	7/1999	Winwood		
D430,045	S *	8/2000	Omuro	.....	D10/43
D431,788	S *	10/2000	Tuxen	.....	D10/42
6,230,868	B1	5/2001	Tuxen et al.		
6,275,169	B1	8/2001	Krygler et al.		
D447,519	S *	9/2001	Pinchuk	.....	D21/324
D448,910	S	10/2001	Kit		
D450,253	S	11/2001	Marguet		
D454,421	S	3/2002	Jeon		
D460,005	S	7/2002	Jacquet		
6,505,774	B1	1/2003	Fulcher et al.		
D472,362	S	3/2003	Zerman et al.		
6,527,172	B1	3/2003	Lewis et al.		
D481,516	S	10/2003	Magee		
D485,417	S	1/2004	Magee		
D488,280	S	4/2004	Zerman		
D492,080	S	6/2004	Magee		
D492,081	S	6/2004	Magee		
D494,730	S	8/2004	Magee		
D497,814	S	11/2004	Odinotski		
D505,240	S	5/2005	Swaine et al.		
D510,751	S	10/2005	Magee et al.		
7,004,385	B1	2/2006	Douglass		
7,019,670	B2	3/2006	Bahar		
7,028,888	B2	4/2006	Laskowski et al.		
7,040,534	B2	5/2006	Turocy et al.		
7,131,576	B2	11/2006	Utz et al.		
D538,505	S	3/2007	Kang		
7,222,782	B2	5/2007	Lute, Jr. et al.		
7,284,692	B1	10/2007	Douglass		



7,347,368	B1 *	3/2008	Gravelle	.....	G06Q 20/20	
					235/380	
D570,920	S	6/2008	Choi			
7,419,091	B1	9/2008	Scanlon			
D579,795	S	11/2008	Martinez et al.			
7,445,144	B2	11/2008	Schlabach et al.			
D582,125	S	12/2008	Kang et al.			
7,533,802	B1	5/2009	McGinley et al.			
D596,374	S	7/2009	Kang			
7,611,045	B1 *	11/2009	Lute	.....	G06Q 20/10	
					235/379	
7,624,919	B2	12/2009	Meek et al.			
7,699,224	B2	4/2010	Mole			
D625,305	S	10/2010	Bleck			
D629,585	S	12/2010	Bleck et al.			
D632,740	S	2/2011	Adeline			
7,891,546	B1	2/2011	Steinbach et al.			
D645,223	S	9/2011	Bleck			
D652,872	S	1/2012	Mougin			
D653,014	S	1/2012	Rohan			
D653,420	S	1/2012	Rohan			
D653,421	S	1/2012	Rohan			
D653,424	S	1/2012	Rohan			
D672,525	S	12/2012	Lee et al.			
D674,985	S *	1/2013	Lee	.....	D14/900	
D677,035	S	2/2013	Lee			
D677,714	S	3/2013	Helgesson et al.			
D680,156	S	4/2013	Hernandez et al.			
D681,717	S	5/2013	Helgesson et al.			
D684,745	S	6/2013	Reuter			
D691,165	S	10/2013	Attoma			
D693,983	S	11/2013	Budde et al.			
8,573,484	B1 *	11/2013	Irudayam	.....	G07F 19/201	
					235/375	
D696,484	S	12/2013	Lee			
D696,485	S	12/2013	Lee			
D702,913	S	4/2014	Budde			
D702,914	S	4/2014	Budde			
D716,515	S	10/2014	Cha			
D722,740	S	2/2015	Budde			
D724,290	S	3/2015	Cha			
D724,811	S	3/2015	Reitinger			
D724,812	S	3/2015	Cha et al.			
D728,190	S	4/2015	Sheley			
D735,437	S *	7/2015	Randall	.....	D99/28	
D735,438	S	7/2015	Randall			
D735,439	S	7/2015	Randall			
D735,440	S	7/2015	Randall			
D735,963	S	8/2015	Randall			
D735,964	S	8/2015	Randall			
D735,965	S	8/2015	Randall			
D739,637	S *	9/2015	Randall	.....	D99/28	
D739,638	S	9/2015	Randall			
D739,639	S	9/2015	Randall			
D742,090	S	10/2015	Randall			
D746,015	S *	12/2015	King	.....	D99/28	
D748,364	S *	1/2016	King	.....	D99/28	
D748,888	S *	2/2016	King	.....	D99/28	
D755,649	S	5/2016	King et al.			
D762,040	S *	7/2016	King	.....	D99/28	
D769,570	S *	10/2016	Kraft	.....	D99/28	
D769,571	S *	10/2016	Lee	.....	D99/28	
D769,572	S *	10/2016	Park	.....	D99/28	
D779,772	S *	2/2017	King	.....	D99/28	
D779,774	S *	2/2017	King	.....	D99/28	
2004/0016796	A1	1/2004	Hanna et al.			
2004/0243526	A1	12/2004	Krygler et al.			
2004/0262379	A1	12/2004	Gomes			
2005/0029340	A1	2/2005	Ferraro			
2006/0152385	A1	7/2006	Mandy			
2007/0046651	A1	3/2007	Sinclair et al.			
2007/0276724	A1 *	11/2007	Catt	.....	G07B 15/00	
					705/13	
2008/0257965	A1	10/2008	Klein et al.			
2008/0265019	A1	10/2008	Artino et al.			

2008/0296365	A1	12/2008	Schliebe			
2009/0057398	A1	3/2009	Douglass et al.			
2010/0161489	A1	6/2010	Goodall et al.			
2010/0187300	A1	7/2010	Ramachandran et al.			
2010/0241564	A1	9/2010	Miller et al.			
2010/0243729	A1	9/2010	Russell et al.			
2011/0133613	A1	6/2011	Descamps et al.			
2012/0286036	A1	11/2012	Jones et al.			
2014/0165885	A1 *	6/2014	Denny	.....	E05G 1/024	
					109/50	

FOREIGN PATENT DOCUMENTS

AT	507762	A1 *	7/2010	.....	G07F 19/20
CA	2517717	A1 *	9/2004	.....	G06Q 20/18
EP	1227448	A2 *	7/2002	.....	G07D 11/0009
FR	2928678	A1 *	9/2009	.....	E05B 47/0692
FR	2979726	A1 *	3/2013	.....	G07F 19/201
JP	3441832	B2 *	9/2003	.....	G07B 1/00
JP	4247079	B2 *	4/2009	.....	G07B 5/00
JP	5238316	B2 *	7/2013	.....	G07B 5/00
WO	WO 02084600	A1 *	10/2002	.....	G06Q 20/127
WO	WO 03065322	A1 *	8/2003	.....	G07B 15/02
WO	WO 2010062105	A2 *	6/2010	.....	G07F 19/20
WO	WO 2014127384	A1 *	8/2014	.....	G07F 19/205

OTHER PUBLICATIONS

Co-pending U.S. Appl. No. 29/567,861, filed Jun. 13, 2016.  
 Co-pending U.S. Appl. No. 29/567,862, filed Jun. 13, 2016.  
 Co-pending U.S. Appl. No. 29/567,867, filed Jun. 13, 2016.  
 Co-pending U.S. Appl. No. 29/567,869, filed Jun. 13, 2016.  
 Co-pending U.S. Appl. No. 29/567,865, filed Jun. 13, 2016.  
 U.S. Appl. No. 29/477,176 Office Action dated May 4, 2015.  
 U.S. Appl. No. 29/477,200 Office Action dated Apr. 9, 2015.  
 U.S. Appl. No. 29/477,201 Office Action dated Apr. 9, 2015.  
 U.S. Appl. No. 29/477,204 Office Action dated Apr. 9, 2015.  
 U.S. Appl. No. 29/477,321 Office Action dated May 15, 2015.  
 U.S. Appl. No. 29/477,324 Office Action dated Apr. 23, 2015.  
 U.S. Appl. No. 29/477,329 Office Action dated May 22, 2015.  
 U.S. Appl. No. 29/477,402 Office Action dated Apr. 9, 2015.

\* cited by examiner

Primary Examiner — Sheryl Lane  
 Assistant Examiner — Samantha N Wood  
 (74) Attorney, Agent, or Firm — Wilson Sonsini Goodrich & Rosati

(57) CLAIM

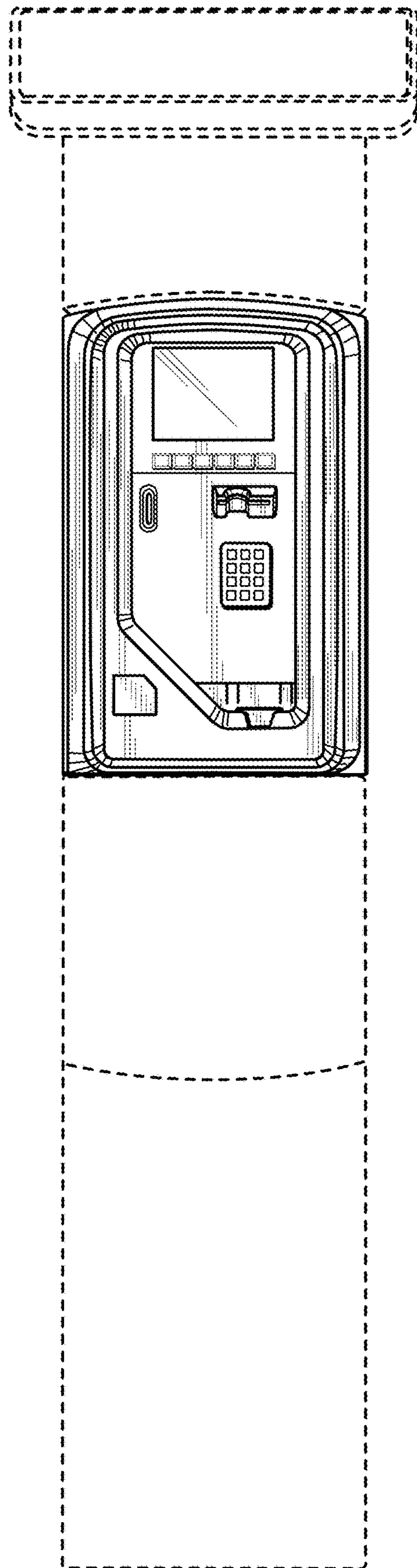
The ornamental design for a multispace parking pay station, as shown and described.

DESCRIPTION

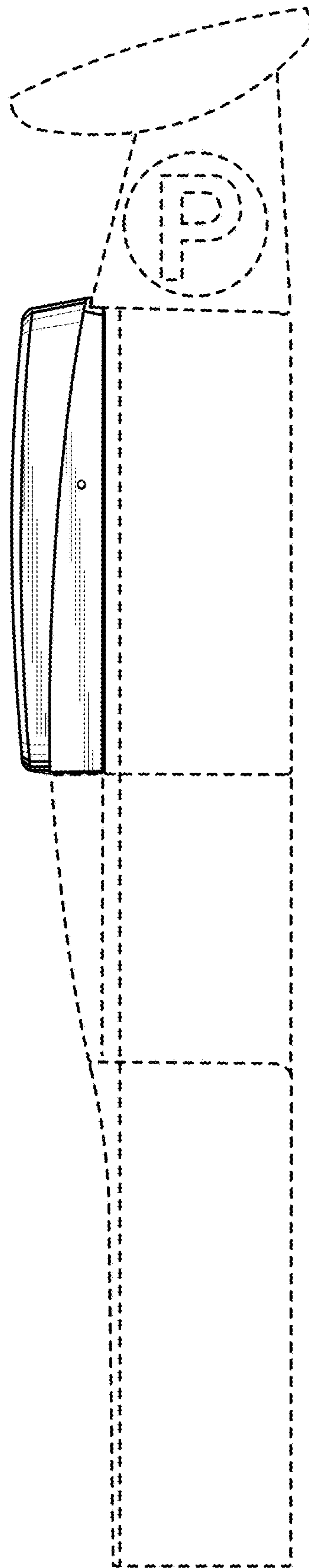
FIG. 1 is a front elevational view of a multispace parking pay station, showing our new design;  
 FIG. 2 is a right side elevational view thereof;  
 FIG. 3 is a left side elevational view thereof;  
 FIG. 4 is a rear elevational view thereof;  
 FIG. 5 is a top plan view thereof;  
 FIG. 6 is a bottom plan view thereof; and,  
 FIG. 7 is a top front perspective view thereof.  
 The broken lines shown in the drawings represent portions of the multispace parking pay station that form no part of the claimed design.

1 Claim, 5 Drawing Sheets

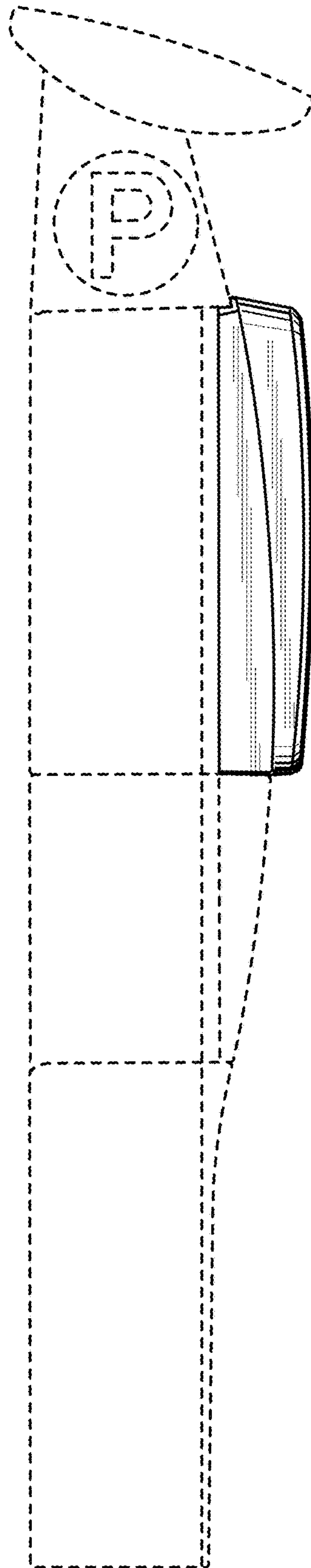




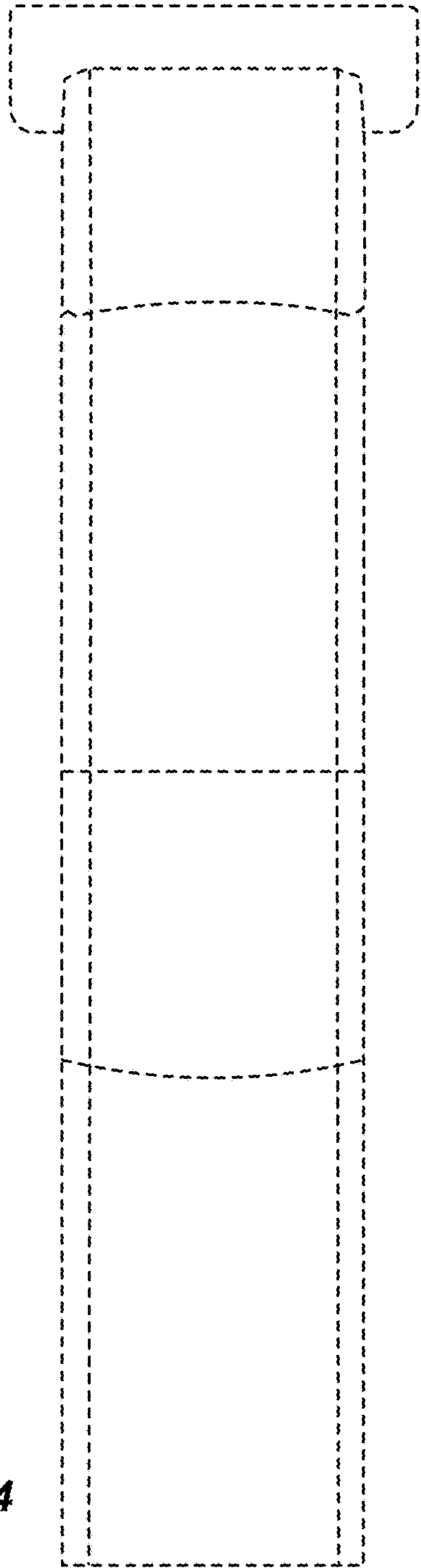
**FIG. 1**



**FIG. 2**



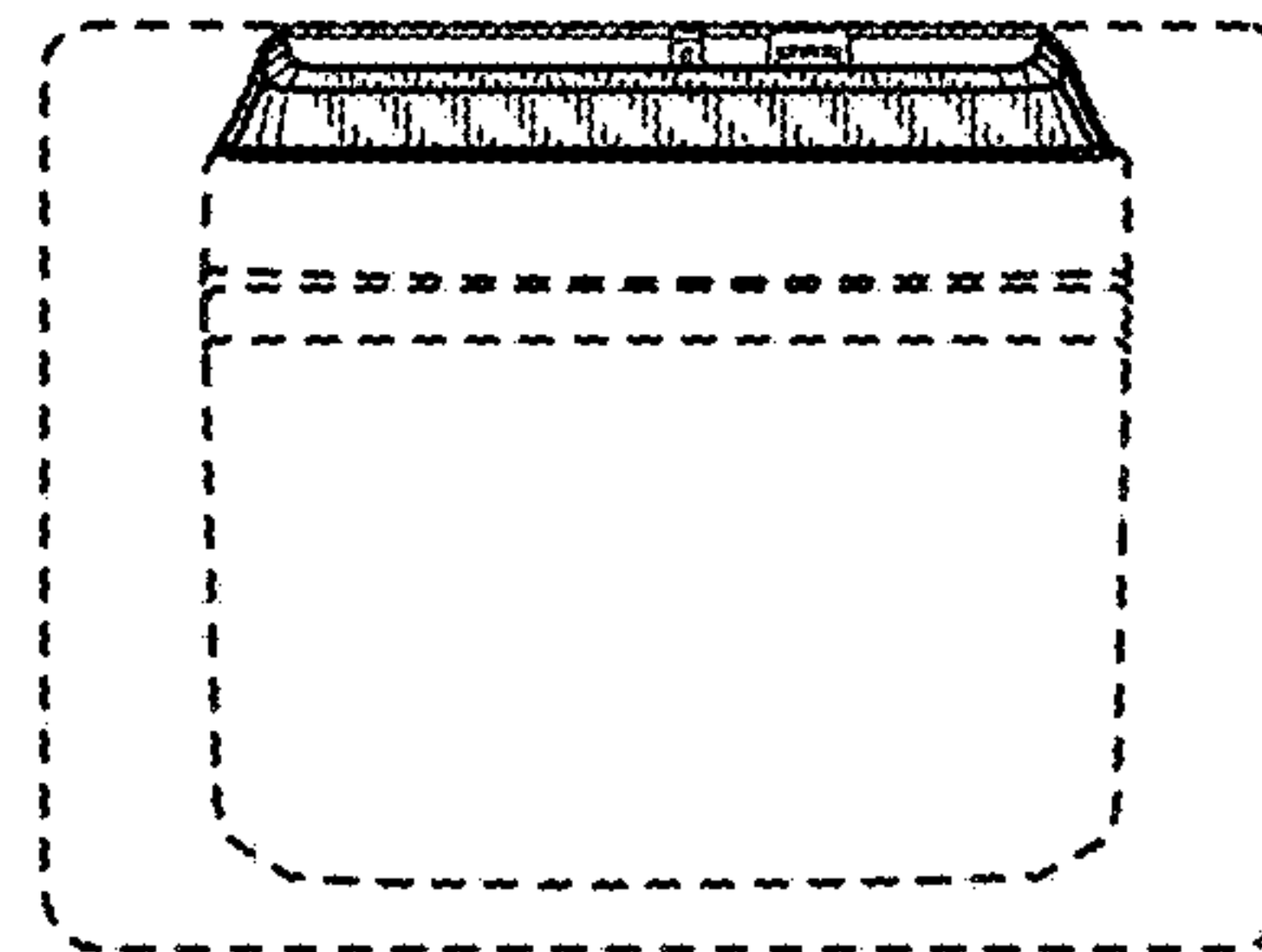
**FIG. 3**



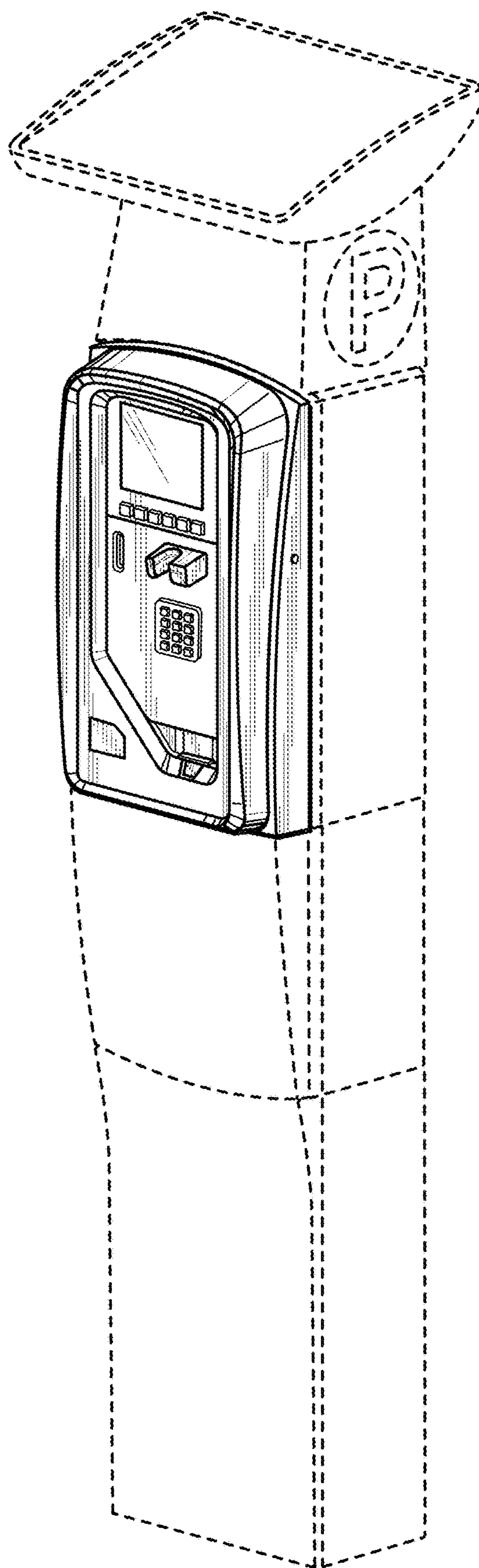
**FIG. 4**



**FIG. 5**



**FIG. 6**



**FIG. 7**