



US00D802876S

(12) **United States Design Patent** (10) **Patent No.:** **US D802,876 S**
King et al. (45) **Date of Patent:** **** Nov. 14, 2017**

(54) **MULTISPACE PARKING PAY STATION**

7/00; E05G 7/001; E05G 2700/00; E05G
2700/02

(71) Applicant: **IPS GROUP INC.**, San Diego, CA
(US)

See application file for complete search history.

(56)

References Cited

(72) Inventors: **David William King**, Rancho Santa Fe,
CA (US); **David Andrew Jones**,
Beecroft (AU); **Choor-Hong Tan**,
Wentworth Point (AU)

U.S. PATENT DOCUMENTS

(73) Assignee: **IPS GROUP INC.**, San Diego, CA
(US)

(**) Term: **15 Years**

(21) Appl. No.: **29/567,865**

(22) Filed: **Jun. 13, 2016**

(51) **LOC (10) Cl.** **06-04**

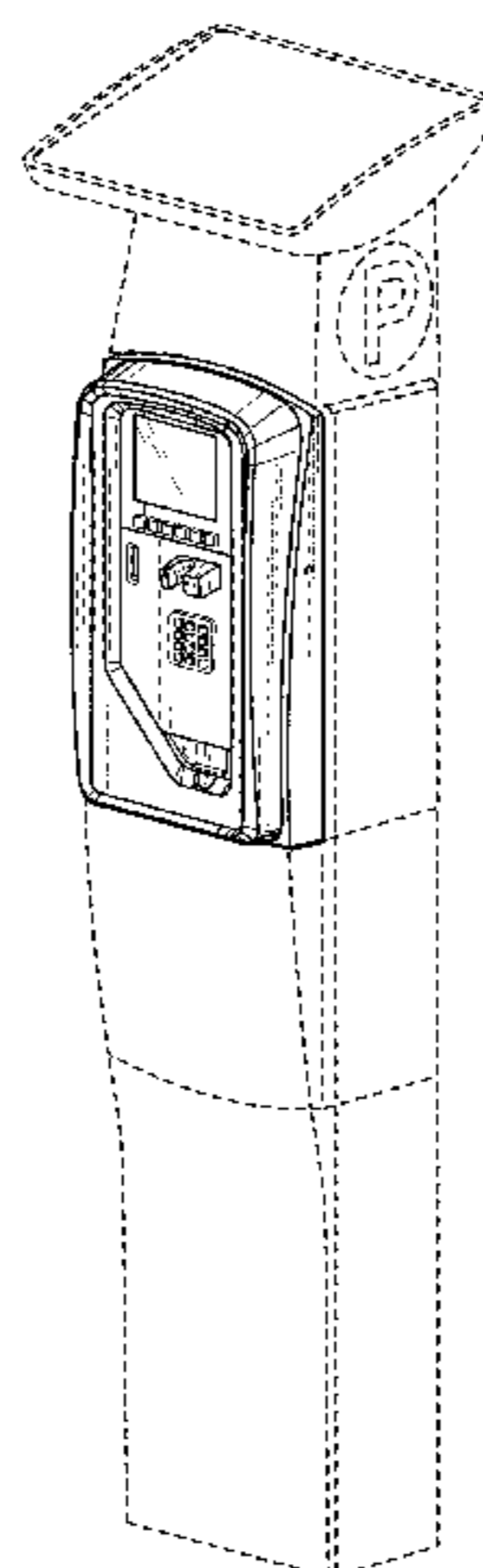
(52) **U.S. Cl.**
USPC **D99/28**

(58) **Field of Classification Search**

USPC D10/40, 41, 42, 43, 44, 45; D99/28, 29,
D99/30, 34, 35, 36, 43, 99;
D14/300-302, 305, 307, 900-902;
D21/324, 325, 329, 369, 370

CPC ... G07B 5/02; G07B 5/04; G07B 5/06; G07B
11/02; G07B 11/03; G07B 15/02; G07B
1/00; G07B 1/02; G07B 3/00; G07B
3/02; G07B 3/04; G07B 5/00; G07C
1/30; G07F 17/00; G07F 17/24; G07F
17/242; G07F 17/248; G07F 19/20; G07F
19/201; G07F 19/202; G07F 19/203;
G07F 19/204; G07F 19/205; E05B
65/0075; E05G 1/00; E05G 1/005; E05G
1/02; E05G 1/024; E05G 5/00; E05G
5/003; E05G 5/006; E05G 5/02; E05G

| | | | | | | |
|-----------|----|---|---------|------------------|-------|------------------------|
| D161,888 | S | * | 2/1951 | Wilkins | | D10/42 |
| D246,917 | S | * | 1/1978 | Sauter | | D21/325 |
| D278,689 | S | | 5/1985 | Jupe | | |
| 4,615,280 | A | * | 10/1986 | Shoop | | G07F 19/205 106/644 |
| 5,065,156 | A | | 11/1991 | Bernier | | |
| D331,996 | S | * | 12/1992 | Fukutake | | D99/28 |
| D336,860 | S | | 6/1993 | Clough | | |
| D342,209 | S | | 12/1993 | Clough | | |
| D354,047 | S | * | 1/1995 | Leggate | | D10/109.1 |
| D360,734 | S | | 7/1995 | Hall | | |
| D360,737 | S | * | 7/1995 | Helbig, Jr. | | D99/28 |
| D375,607 | S | | 11/1996 | Hall | | |
| D396,655 | S | | 8/1998 | Anderson | | |
| D412,289 | S | | 7/1999 | Winwood | | |
| D430,045 | S | * | 8/2000 | Omuro | | D10/43 |
| D431,788 | S | * | 10/2000 | Tuxen | | D10/42 |
| 6,230,868 | B1 | | 5/2001 | Tuxen et al. | | |
| 6,275,169 | B1 | | 8/2001 | Krygler et al. | | |
| D447,519 | S | * | 9/2001 | Pinchuk | | D21/324 |
| D448,910 | S | | 10/2001 | Kit | | |
| D450,253 | S | | 11/2001 | Marguet | | |
| D454,421 | S | | 3/2002 | Jeon | | |
| D460,005 | S | | 7/2002 | Jacquet | | |
| 6,505,774 | B1 | | 1/2003 | Fulcher et al. | | |
| D472,362 | S | | 3/2003 | Zerman et al. | | |
| 6,527,172 | B1 | | 3/2003 | Lewis et al. | | |
| D481,516 | S | | 10/2003 | Magee | | |
| D485,417 | S | | 1/2004 | Magee | | |
| D488,280 | S | | 4/2004 | Zerman | | |
| D492,080 | S | | 6/2004 | Magee | | |
| D492,081 | S | | 6/2004 | Magee | | |
| D494,730 | S | | 8/2004 | Magee | | |
| D497,814 | S | | 11/2004 | Odinotski et al. | | |
| D505,240 | S | | 5/2005 | Swaine et al. | | |
| D510,751 | S | | 10/2005 | Magee et al. | | |
| 7,004,385 | B1 | | 2/2006 | Douglass | | |
| 7,019,670 | B2 | | 3/2006 | Bahar | | |
| 7,028,888 | B2 | | 4/2006 | Laskowski et al. | | |
| 7,040,534 | B2 | | 5/2006 | Turocy et al. | | |
| 7,131,576 | B2 | | 11/2006 | Utz et al. | | |
| D538,505 | S | | 3/2007 | Kang | | |
| 7,222,782 | B2 | | 5/2007 | Lute, Jr. et al. | | |
| 7,284,692 | B1 | | 10/2007 | Douglass | | |



US D802,876 S

Page 2

| | | | | |
|--------------|------|---------|------------------|------------------------|
| 7,347,368 | B1 * | 3/2008 | Gravelle | G06Q 20/20 235/380 |
| D570,920 | S | 6/2008 | Choi | |
| 7,419,091 | B1 | 9/2008 | Scanlon | |
| D579,795 | S | 11/2008 | Martinez et al. | |
| 7,445,144 | B2 | 11/2008 | Schlabach et al. | |
| D582,125 | S | 12/2008 | Kang et al. | |
| 7,533,802 | B1 | 5/2009 | McGinley et al. | |
| D596,374 | S | 7/2009 | Kang | |
| 7,611,045 | B1 * | 11/2009 | Lute | G06Q 20/10 235/379 |
| 7,624,919 | B2 | 12/2009 | Meek et al. | |
| 7,699,224 | B2 | 4/2010 | Mole | |
| D625,305 | S | 10/2010 | Bleck | |
| D629,585 | S | 12/2010 | Bleck et al. | |
| D632,740 | S | 2/2011 | Adeline | |
| 7,891,546 | B1 | 2/2011 | Steinbach et al. | |
| D645,223 | S | 9/2011 | Bleck | |
| D652,872 | S | 1/2012 | Mougin et al. | |
| D653,014 | S | 1/2012 | Rohan | |
| D653,420 | S | 1/2012 | Rohan | |
| D653,421 | S | 1/2012 | Rohan | |
| D653,424 | S | 1/2012 | Rohan | |
| D672,525 | S | 12/2012 | Lee et al. | |
| D674,985 | S * | 1/2013 | Lee | D14/900 |
| D677,035 | S | 2/2013 | Lee | |
| D677,714 | S | 3/2013 | Helgesson et al. | |
| D680,156 | S | 4/2013 | Hernandez et al. | |
| D681,717 | S | 5/2013 | Helgesson et al. | |
| D684,745 | S | 6/2013 | Reuter | |
| D691,165 | S | 10/2013 | Attoma | |
| D693,983 | S | 11/2013 | Budde et al. | |
| 8,573,484 | B1 * | 11/2013 | Irudayam | G07F 19/201 235/375 |
| D696,484 | S | 12/2013 | Lee | |
| D696,485 | S | 12/2013 | Lee | |
| D702,913 | S | 4/2014 | Budde | |
| D702,914 | S | 4/2014 | Budde | |
| D716,515 | S | 10/2014 | Cha | |
| D722,740 | S | 2/2015 | Budde | |
| D724,290 | S | 3/2015 | Cha et al. | |
| D724,811 | S | 3/2015 | Reitinger | |
| D724,812 | S | 3/2015 | Cha et al. | |
| D728,190 | S | 4/2015 | Sheley | |
| D735,437 | S * | 7/2015 | Randall | D99/28 |
| D735,438 | S | 7/2015 | Randall | |
| D735,439 | S | 7/2015 | Randall | |
| D735,440 | S | 7/2015 | Randall | |
| D735,963 | S | 8/2015 | Randall | |
| D735,964 | S | 8/2015 | Randall | |
| D735,965 | S | 8/2015 | Randall | |
| D739,637 | S * | 9/2015 | Randall | D99/28 |
| D739,638 | S | 9/2015 | Randall | |
| D739,639 | S | 9/2015 | Randall | |
| D742,090 | S | 10/2015 | Randall | |
| D746,015 | S * | 12/2015 | King | D99/28 |
| D748,364 | S * | 1/2016 | King | D99/28 |
| D748,888 | S * | 2/2016 | King | D99/28 |
| D755,649 | S | 5/2016 | King et al. | |
| D762,040 | S * | 7/2016 | King | D99/28 |
| D769,570 | S * | 10/2016 | Kraft | D99/28 |
| D769,571 | S * | 10/2016 | Lee | D99/28 |
| D769,572 | S * | 10/2016 | Park | D99/28 |
| D779,772 | S * | 2/2017 | King | D99/28 |
| D779,774 | S * | 2/2017 | King | D99/28 |
| 2004/0016796 | A1 | 1/2004 | Hanna et al. | |
| 2004/0243526 | A1 | 12/2004 | Krygler et al. | |
| 2004/0262379 | A1 | 12/2004 | Gomes et al. | |
| 2005/0029340 | A1 | 2/2005 | Ferraro | |
| 2006/0152385 | A1 | 7/2006 | Mandy | |
| 2007/0046651 | A1 | 3/2007 | Sinclair et al. | |
| 2007/0276724 | A1 * | 11/2007 | Catt | G07B 15/00 705/13 |
| 2008/0257965 | A1 | 10/2008 | Klein et al. | |
| 2008/0265019 | A1 | 10/2008 | Artino et al. | |

| | | | | |
|--------------|------|---------|---------------------|----------------------|
| 2008/0296365 | A1 | 12/2008 | Schliebe | |
| 2009/0057398 | A1 | 3/2009 | Douglass et al. | |
| 2010/0161489 | A1 | 6/2010 | Goodall et al. | |
| 2010/0187300 | A1 | 7/2010 | Ramachandran et al. | |
| 2010/0241564 | A1 | 9/2010 | Miller et al. | |
| 2010/0243729 | A1 | 9/2010 | Russell et al. | |
| 2011/0133613 | A1 | 6/2011 | Descamps et al. | |
| 2012/0286036 | A1 | 11/2012 | Jones et al. | |
| 2014/0165885 | A1 * | 6/2014 | Denny | E05G 1/024 109/50 |

FOREIGN PATENT DOCUMENTS

| | | | | | |
|----|---------------|------|---------|-------|--------------|
| AT | 507762 | A1 * | 7/2010 | | G07F 19/20 |
| CA | 2517717 | A1 * | 9/2004 | | G06Q 20/18 |
| EP | 1227448 | A2 * | 7/2002 | | G07D 11/0009 |
| FR | 2928678 | A1 * | 9/2009 | | E05B 47/0692 |
| FR | 2979726 | A1 * | 3/2013 | | G07F 19/201 |
| JP | 3441832 | B2 * | 9/2003 | | G07B 1/00 |
| JP | 4247079 | B2 * | 4/2009 | | G07B 5/00 |
| JP | 5238316 | B2 * | 7/2013 | | G07B 15/00 |
| WO | WO 02084600 | A1 * | 10/2002 | | G06Q 20/127 |
| WO | WO 03065322 | A1 * | 8/2003 | | G07B 15/02 |
| WO | WO 2010062105 | A2 * | 6/2010 | | G07F 19/20 |
| WO | WO 2014127384 | A1 * | 8/2014 | | G07F 19/205 |

OTHER PUBLICATIONS

Co-pending U.S. Appl. No. 29/567,861, filed Jun. 13, 2016.
 Co-pending U.S. Appl. No. 29/567,862, filed Jun. 13, 2016.
 Co-pending U.S. Appl. No. 29/567,866, filed Jun. 13, 2016.
 Co-pending U.S. Appl. No. 29/567,867, filed Jun. 13, 2016.
 Co-pending U.S. Appl. No. 29/567,869, filed Jun. 13, 2016.
 U.S. Appl. No. 29/477,176 Office Action dated May 4, 2015.
 U.S. Appl. No. 29/477,200 Office Action dated Apr. 9, 2015.
 U.S. Appl. No. 29/477,201 Office Action dated Apr. 9, 2015.
 U.S. Appl. No. 29/477,204 Office Action dated Apr. 9, 2015.
 U.S. Appl. No. 29/477,321 Office Action dated May 15, 2015.
 U.S. Appl. No. 29/477,324 Office Action dated Apr. 23, 2015.
 U.S. Appl. No. 29/477,329 Office Action dated May 22, 2015.
 U.S. Appl. No. 29/477,402 Office Action dated Apr. 9, 2015.

* cited by examiner

Primary Examiner — Sheryl Lane

Assistant Examiner — Samantha N Wood

(74) *Attorney, Agent, or Firm* — Wilson Sonsini Goodrich & Rosati

(57) CLAIM

The ornamental design for a multispace parking pay station, as shown and described.

DESCRIPTION

FIG. 1 is a front elevational view of a multispace parking pay station, showing our new design;
 FIG. 2 is a right side elevational view thereof;
 FIG. 3 is a left side elevational view thereof;
 FIG. 4 is a rear elevational view thereof;
 FIG. 5 is a top plan view thereof;
 FIG. 6 is a bottom plan view thereof; and,
 FIG. 7 is a top front perspective view thereof.
 The broken lines shown in the drawings represent portions of the multispace parking pay station that form no part of the claimed design.

1 Claim, 5 Drawing Sheets

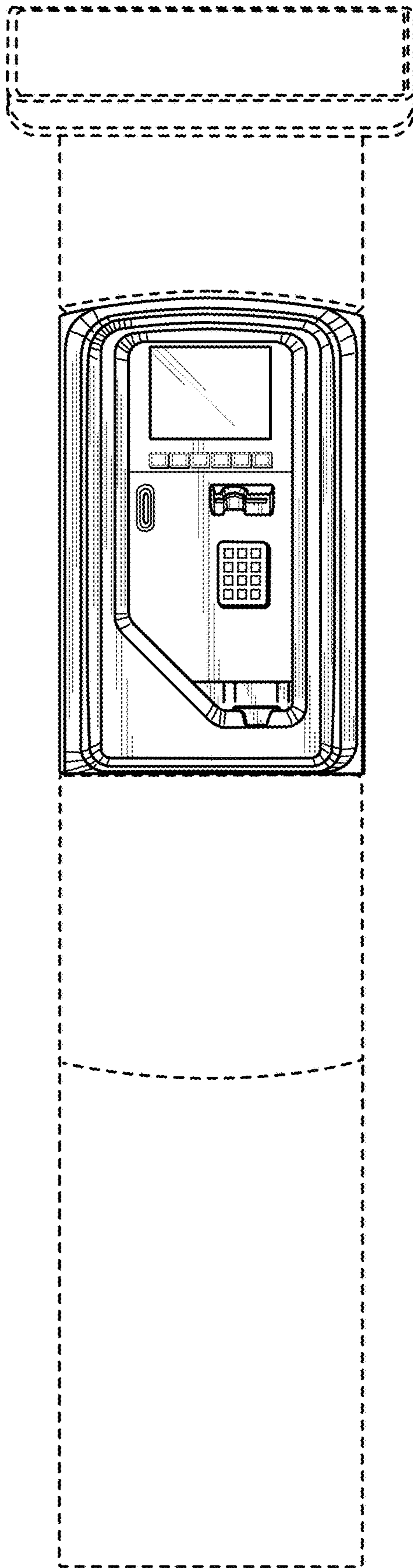


FIG. 1

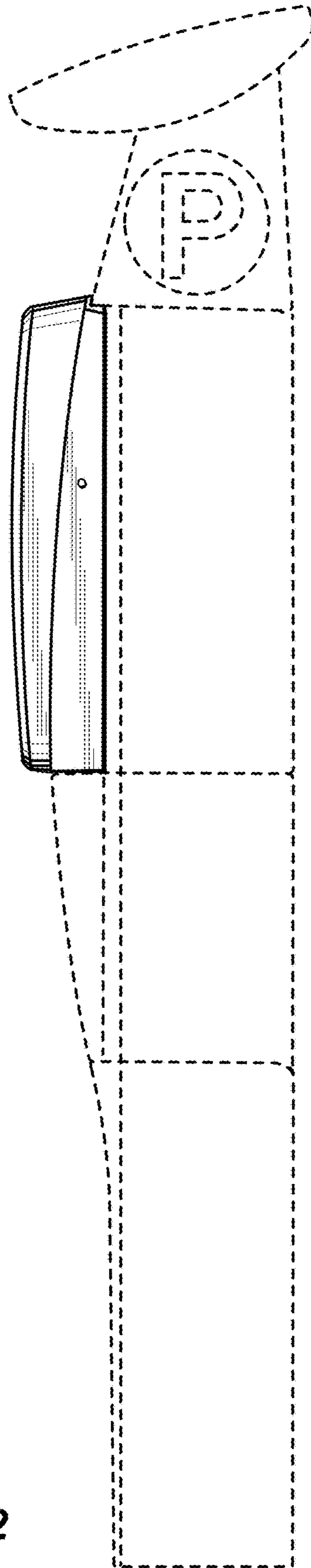


FIG. 2

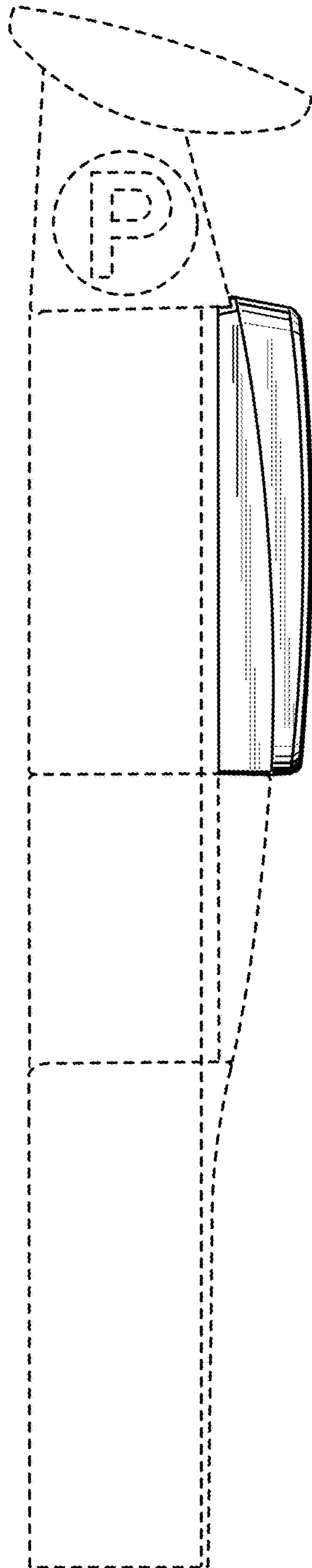


FIG. 3

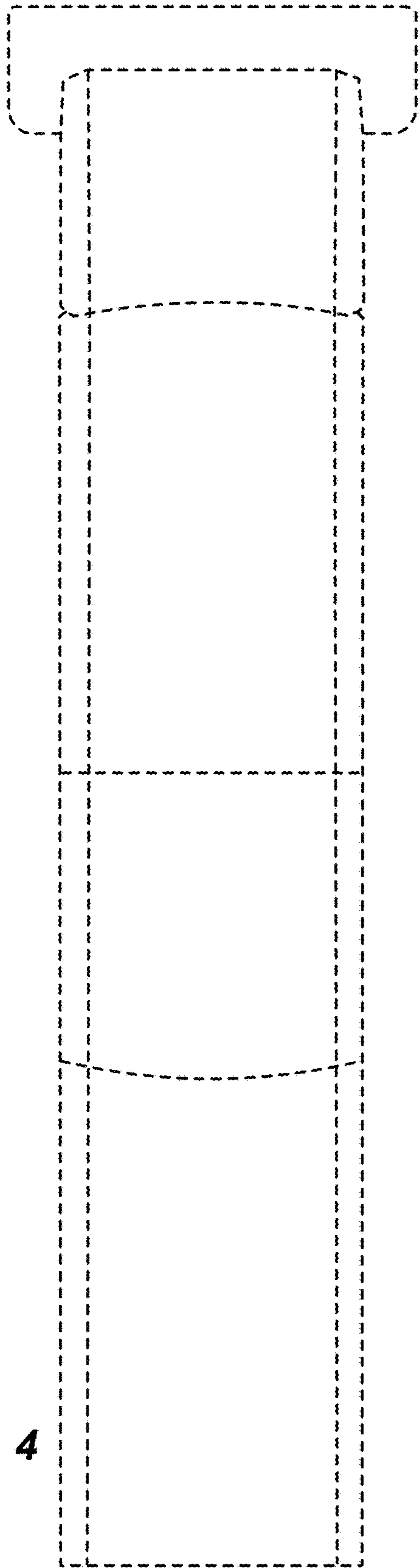


FIG. 4

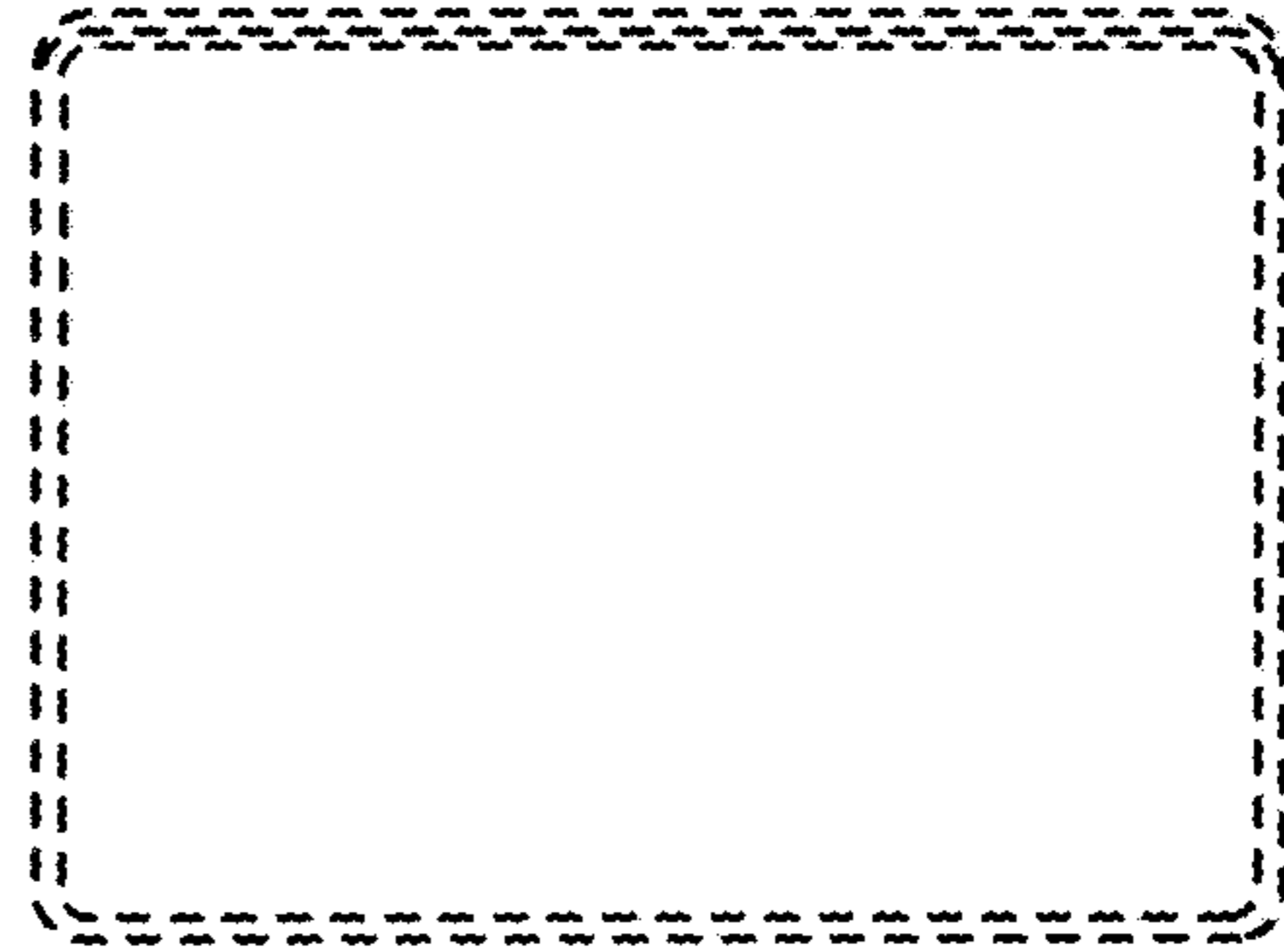


FIG. 5

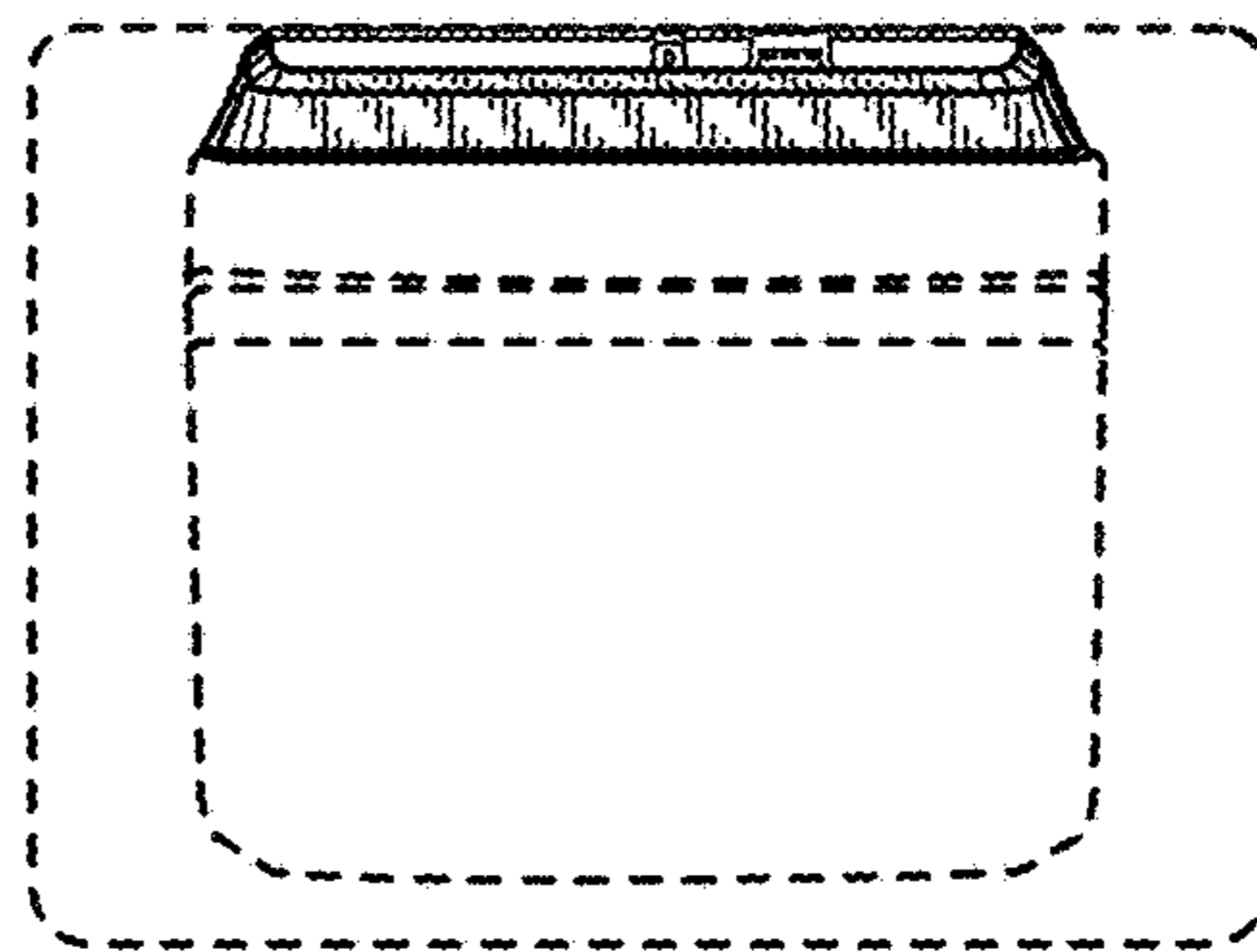


FIG. 6

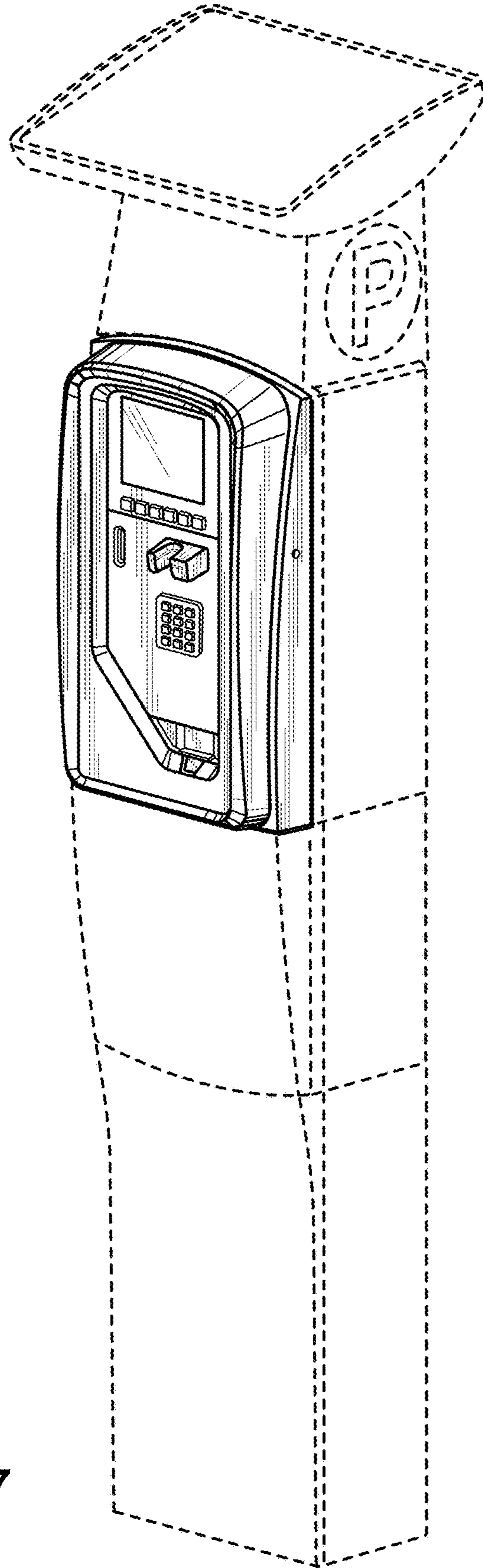


FIG. 7