



US00D802874S

(12) **United States Design Patent** (10) **Patent No.:** **US D802,874 S**
King et al. (45) **Date of Patent:** **** Nov. 14, 2017**

(54) **MULTISPACE PARKING PAY STATION**

(71) Applicant: **IPS GROUP INC.**, San Diego, CA (US)

(72) Inventors: **David William King**, Rancho Santa Fe, CA (US); **David Andrew Jones**, Beecroft (AU); **Choor-Hong Tan**, Wentworth Point (AU)

(73) Assignee: **IPS GROUP INC.**, San Diego, CA (US)

(**) Term: **15 Years**

(21) Appl. No.: **29/567,861**

(22) Filed: **Jun. 13, 2016**

(51) **LOC (10) Cl.** **06-04**

(52) **U.S. Cl.**
USPC **D99/28**

(58) **Field of Classification Search**
USPC D10/40, 41, 42, 43, 44, 45; D99/28, 29, D99/30, 34, 35, 36, 43, 99; D14/300, D14/301, 302, 305, 307, 900, 901, 902; D21/324, 325, 329, 369, 370
CPC ... G05B 5/02; G05B 5/04; G05B 5/06; G07B 11/02; G07B 11/03; G07B 15/02; G07B 1/00; G07B 1/02; G07B 3/00; G07B 3/02; G07B 3/04; G07B 5/00; G07C 1/30; G07F 17/00; G07F 17/24; G07F 17/242; G07F 17/248; G07F 19/20; G07F 19/201; G07F 19/202; G07F 19/203; G07F 19/204; G07F 19/205; E05B 65/0075; E05G 1/00; E05G 1/005; E05G 1/02; E05G 1/024; E05G 5/00; E05G 5/003; E05G 5/006; E05G 5/02; E05G 7/00; E05G 7/001; E05G 2700/00; E05G 2700/02

See application file for complete search history.

D278,689 S 5/1985 Jupe
4,615,280 A * 10/1986 Shoop G07F 19/205
106/644

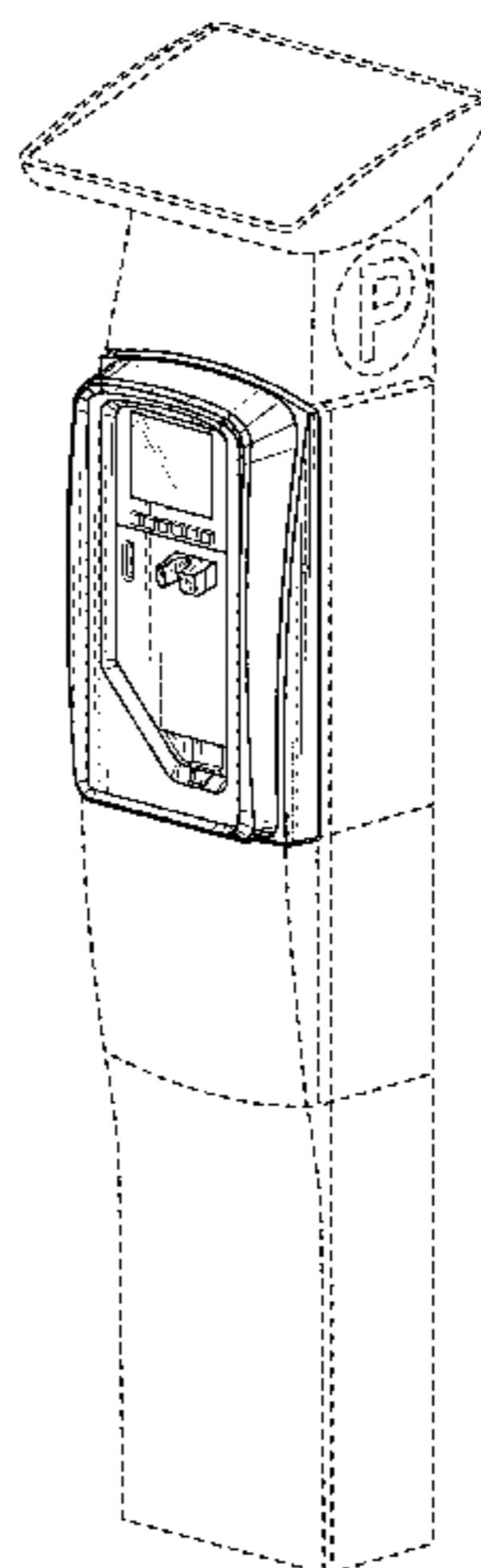
5,065,156 A 11/1991 Bernier
D331,996 S * 12/1992 Fukutake D99/28
D336,860 S 6/1993 Clough
D342,209 S 12/1993 Clough
D354,047 S * 1/1995 Leggate D10/109.1
D360,734 S 7/1995 Hall
D360,737 S * 7/1995 Helbig, Jr. D99/28
D375,607 S 11/1996 Hall
D396,655 S 8/1998 Anderson
D412,289 S 7/1999 Winwood
D430,045 S * 8/2000 Omuro D10/43
D431,788 S * 10/2000 Tuxen D10/42
6,230,868 B1 5/2001 Tuxen et al.
6,275,169 B1 8/2001 Krygler et al.
D447,519 S * 9/2001 Pinchuk D21/324
D448,910 S 10/2001 Kit
D450,253 S 11/2001 Marguet
D454,421 S 3/2002 Jeon
D460,005 S 7/2002 Jacquet
6,505,774 B1 1/2003 Fulcher et al.
D472,362 S 3/2003 Zerman et al.
6,527,172 B1 3/2003 Lewis et al.
D481,516 S 10/2003 Magee
D485,417 S 1/2004 Magee
D488,280 S 4/2004 Zerman
D492,080 S 6/2004 Magee
D492,081 S 6/2004 Magee
D494,730 S 8/2004 Magee
D497,814 S 11/2004 Odinotski
D505,240 S 5/2005 Swaine et al.
D510,751 S 10/2005 Magee et al.
7,004,385 B1 2/2006 Douglass
7,019,670 B2 3/2006 Bahar
7,028,888 B2 4/2006 Laskowski et al.
7,040,534 B2 5/2006 Turocy et al.
7,131,576 B2 11/2006 Utz et al.
D538,505 S 3/2007 Kang
7,222,782 B2 5/2007 Lute, Jr. et al.
7,284,692 B1 10/2007 Douglass
7,347,368 B1 * 3/2008 Gravelle G06Q 20/20
235/380

D570,920 S 6/2008 Choi
7,419,091 B1 9/2008 Scanlon
D579,795 S 11/2008 Martinez et al.
7,445,144 B2 11/2008 Schlabach et al.
D582,125 S 12/2008 Kang et al.
7,533,802 B1 5/2009 McGinley et al.
D596,374 S 7/2009 Kang
7,611,045 B1 * 11/2009 Lute G06Q 20/10
235/379

(56) **References Cited**

U.S. PATENT DOCUMENTS

D161,888 S * 2/1951 Wilkins D10/42
D246,917 S * 1/1978 Sauter D21/325



7,624,919 B2 12/2009 Meek et al.
 7,699,224 B2 4/2010 Mole
 D625,305 S 10/2010 Bleck
 D629,585 S 12/2010 Bleck et al.
 D632,740 S 2/2011 Adeline
 7,891,546 B1 2/2011 Steinbach et al.
 D645,223 S 9/2011 Bleck
 D652,872 S 1/2012 Mougín et al.
 D653,014 S 1/2012 Rohan
 D653,420 S 1/2012 Rohan
 D653,421 S 1/2012 Rohan
 D653,424 S 1/2012 Rohan
 D672,525 S 12/2012 Lee et al.
 D674,985 S * 1/2013 Lee D14/900
 D677,035 S 2/2013 Lee
 D677,714 S 3/2013 Helgesson et al.
 D680,156 S 4/2013 Hernandez et al.
 D681,717 S 5/2013 Helgesson et al.
 D684,745 S 6/2013 Reuter
 D691,165 S 10/2013 Attoma
 D693,983 S 11/2013 Budde et al.
 8,573,484 B1 * 11/2013 Irudayam G07F 19/201
 235/375
 D696,484 S 12/2013 Lee
 D696,485 S 12/2013 Lee
 D702,913 S 4/2014 Budde
 D702,914 S 4/2014 Budde
 D716,515 S 10/2014 Cha
 D722,740 S 2/2015 Budde
 D724,290 S 3/2015 Cha et al.
 D724,811 S 3/2015 Reitingner
 D724,812 S 3/2015 Cha et al.
 D728,190 S 4/2015 Sheley
 D735,437 S * 7/2015 Randall D99/28
 D735,438 S 7/2015 Randall
 D735,439 S 7/2015 Randall
 D735,440 S 7/2015 Randall
 D735,963 S 8/2015 Randall
 D735,964 S 8/2015 Randall
 D735,965 S 8/2015 Randall
 D739,637 S * 9/2015 Randall D99/28
 D739,638 S 9/2015 Randall
 D739,639 S 9/2015 Randall
 D742,090 S 10/2015 Randall
 D746,015 S * 12/2015 King D99/28
 D748,364 S * 1/2016 King D99/28
 D748,888 S * 2/2016 King D99/28
 D755,649 S 5/2016 King et al.
 D762,040 S * 7/2016 King D99/28
 D769,570 S * 10/2016 Kraft D99/28
 D769,571 S * 10/2016 Lee D99/28
 D769,572 S * 10/2016 Park D99/28
 D779,772 S * 2/2017 King D99/28
 D779,774 S * 2/2017 King D99/28
 2004/0016796 A1 1/2004 Hanna et al.
 2004/0243526 A1 12/2004 Krygler et al.
 2004/0262379 A1 12/2004 Gomes et al.
 2005/0029340 A1 2/2005 Ferraro
 2006/0152385 A1 7/2006 Mandy
 2007/0046651 A1 3/2007 Sinclair et al.
 2007/0276724 A1 * 11/2007 Catt G07B 15/00
 705/13
 2008/0257965 A1 10/2008 Klein et al.
 2008/0265019 A1 10/2008 Artino et al.
 2008/0296365 A1 12/2008 Schliebe
 2009/0057398 A1 3/2009 Douglass et al.
 2010/0161489 A1 6/2010 Goodall et al.
 2010/0187300 A1 7/2010 Ramachandran et al.
 2010/0241564 A1 9/2010 Miller et al.
 2010/0243729 A1 9/2010 Russell et al.

2011/0133613 A1 6/2011 Descamps et al.
 2012/0286036 A1 11/2012 Jones et al.
 2014/0165885 A1 * 6/2014 Denny E05G 1/024
 109/50

FOREIGN PATENT DOCUMENTS

AT 507762 A1 * 7/2010 G07F 19/20
 CA 2517717 A1 * 9/2004 G06Q 20/18
 EP 1227448 A2 * 7/2002 G07D 11/0009
 FR 2928678 A1 * 9/2009 E05B 47/0692
 FR 2979726 A1 * 3/2013 G07F 19/201
 JP 3441832 B2 * 9/2003 G05B 1/00
 JP 4247079 B2 * 4/2009 G07B 5/00
 JP 5238316 B2 * 7/2013 G07B 15/00
 WO WO 02084600 A1 * 10/2002 G06Q 20/127
 WO WO 03065322 A1 * 8/2003 G07B 15/02
 WO WO 2010062105 A2 * 6/2010 G07F 19/20
 WO WO 2014127384 A1 * 8/2014 G07F 19/205

OTHER PUBLICATIONS

Co-pending U.S. Appl. No. 29/567,862, filed Jun. 13, 2016.
 Co-pending U.S. Appl. No. 29/567,866, filed Jun. 13, 2016.
 Co-pending U.S. Appl. No. 29/567,867, filed Jun. 13, 2016.
 Co-pending U.S. Appl. No. 29/567,869, filed Jun. 13, 2016.
 Co-pending U.S. Appl. No. 29/567,865, filed Jun. 13, 2016.
 U.S. Appl. No. 29/477,176 Office Action dated May 4, 2015.
 U.S. Appl. No. 29/477,200 Office Action dated Apr. 9, 2015.
 U.S. Appl. No. 29/477,201 Office Action dated Apr. 9, 2015.
 U.S. Appl. No. 29/477,204 Office Action dated Apr. 9, 2015.
 U.S. Appl. No. 29/477,321 Office Action dated May 15, 2015.
 U.S. Appl. No. 29/477,324 Office Action dated Apr. 23, 2015.
 U.S. Appl. No. 29/477,329 Office Action dated May 22, 2015.
 U.S. Appl. No. 29/477,402 Office Action dated Apr. 9, 2015.

* cited by examiner

Primary Examiner — Sheryl Lane

Assistant Examiner — Samantha N Wood

(74) Attorney, Agent, or Firm — Wilson Sonsini Goodrich & Rosati

(57) CLAIM

The ornamental design for a multispace parking pay station, as shown and described.

DESCRIPTION

FIG. 1 is a front elevational view of a multispace parking pay station, showing our new design;
 FIG. 2 is a right side elevational view thereof;
 FIG. 3 is a left side elevational view thereof;
 FIG. 4 is a rear elevational view thereof;
 FIG. 5 is a top plan view thereof;
 FIG. 6 is a bottom plan view thereof; and,
 FIG. 7 is a top front perspective view thereof.
 The broken lines shown in the drawings represent portions of the multispace parking pay station that form no part of the claimed design.

1 Claim, 5 Drawing Sheets

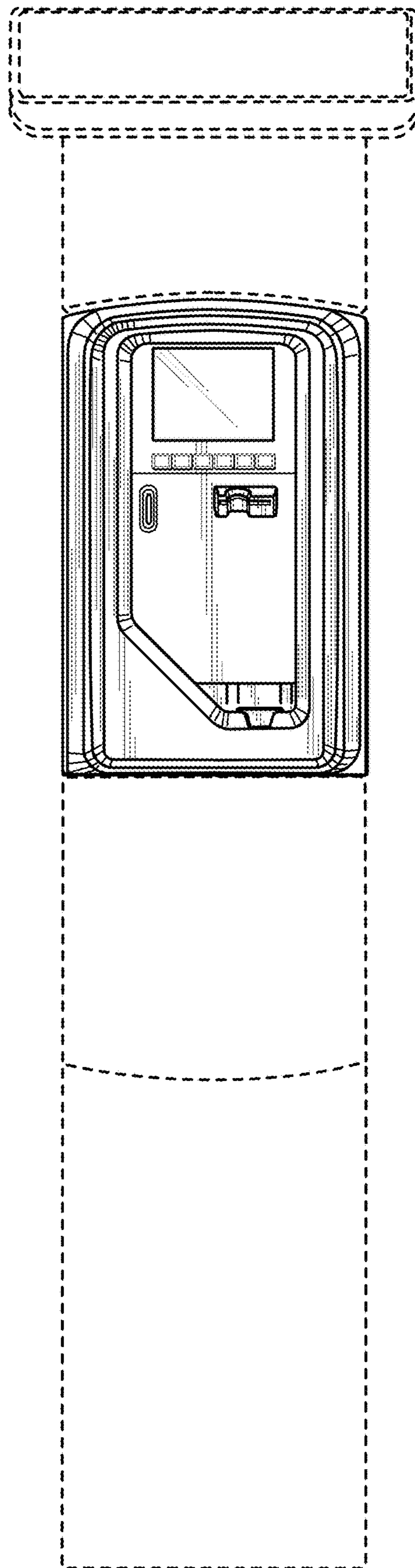


FIG. 1

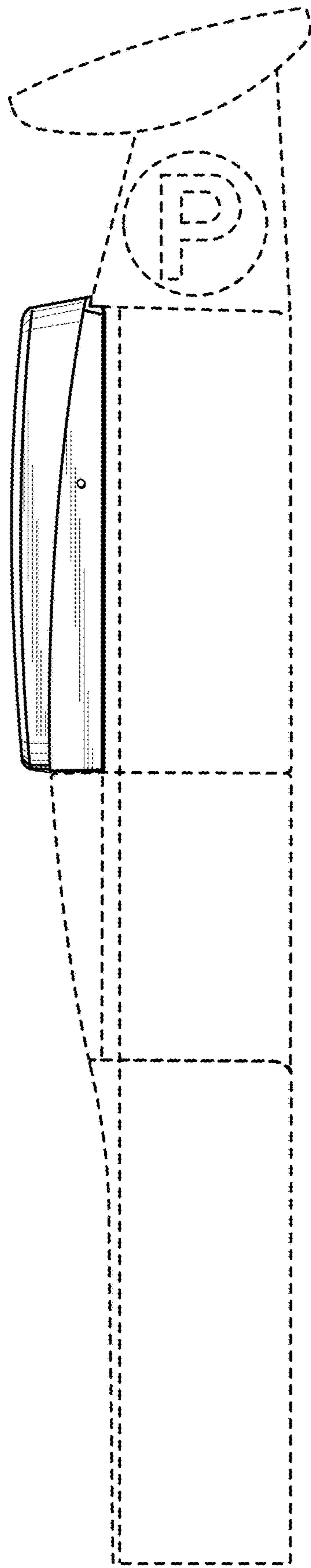


FIG. 2

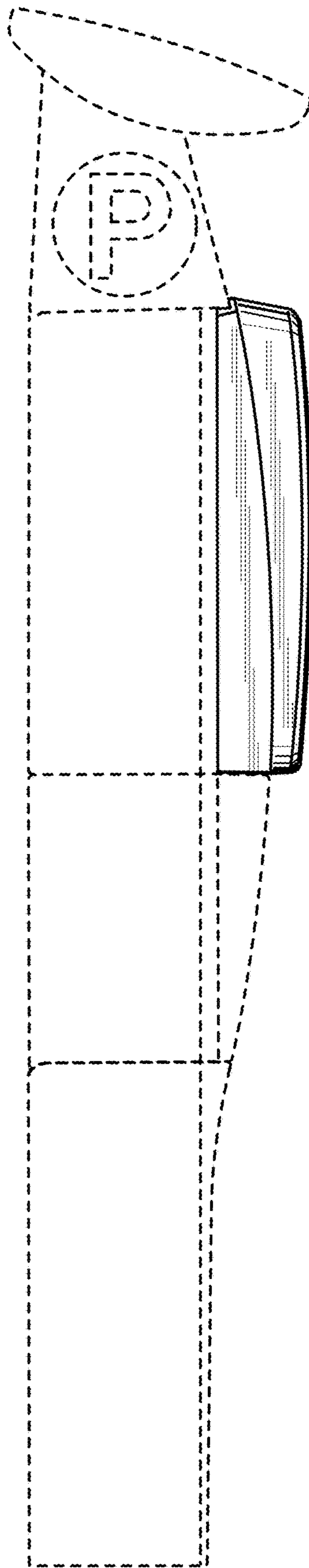


FIG. 3

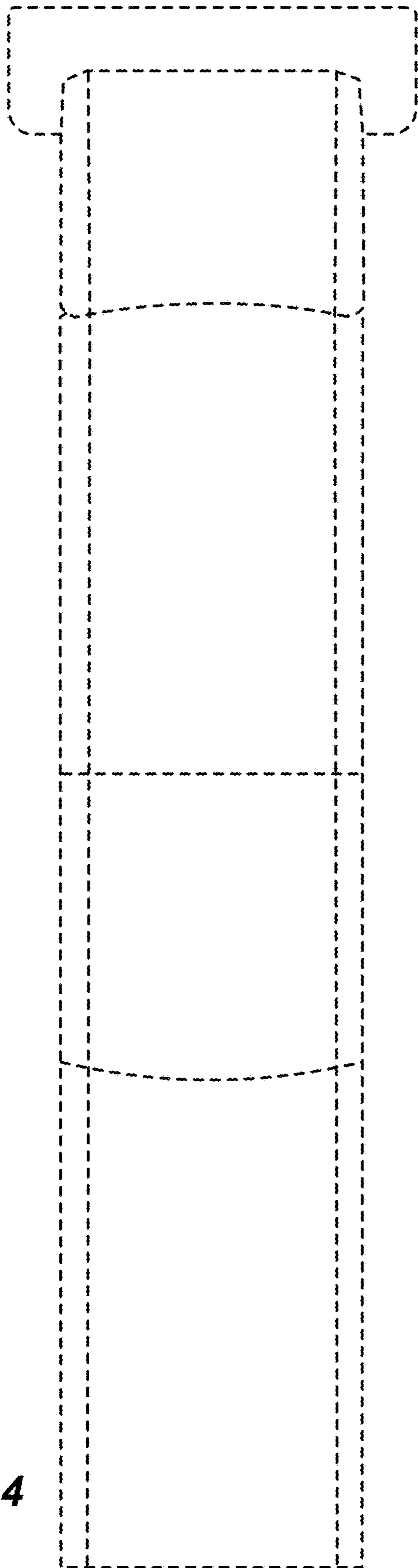


FIG. 4

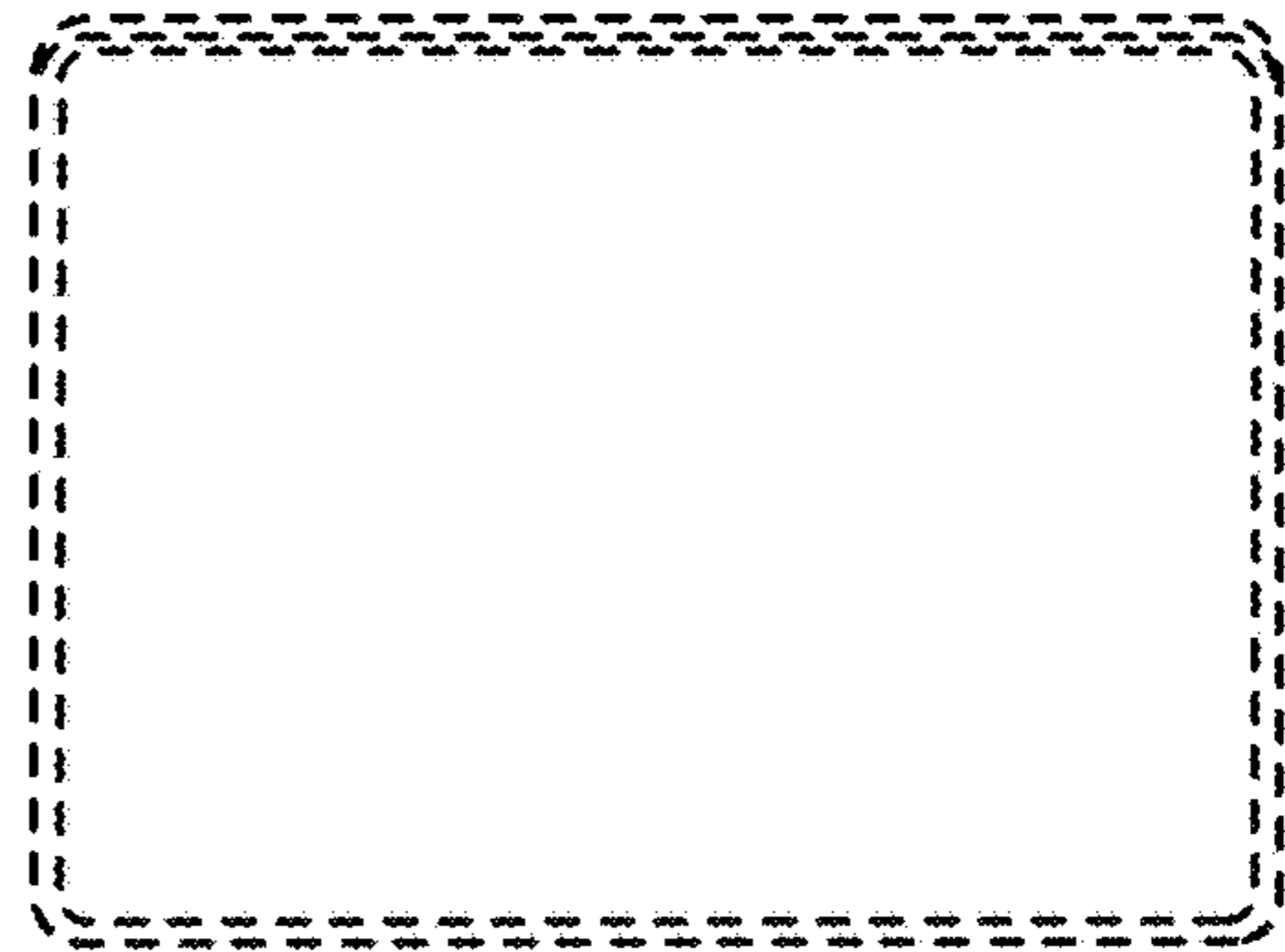


FIG. 5

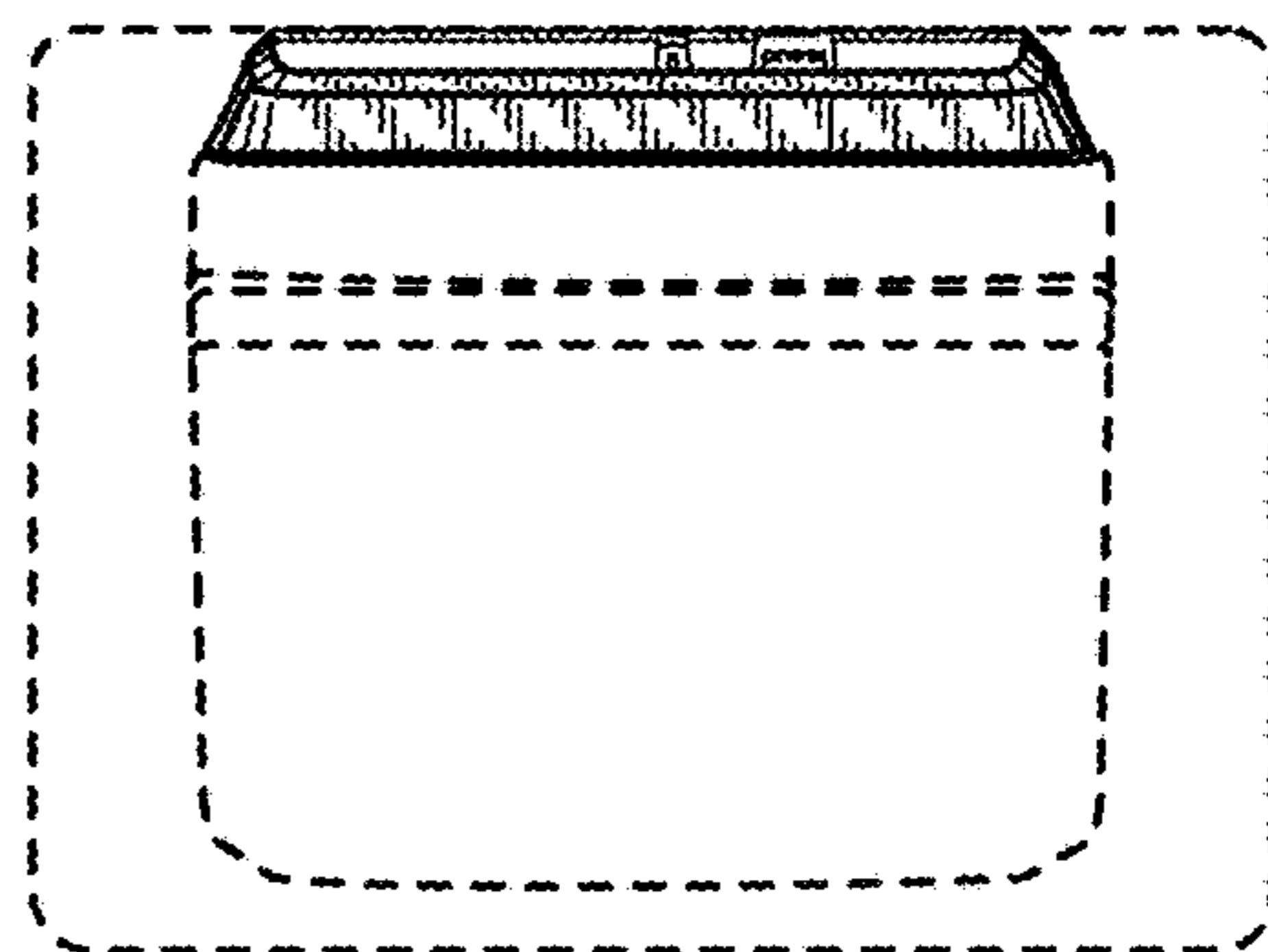


FIG. 6

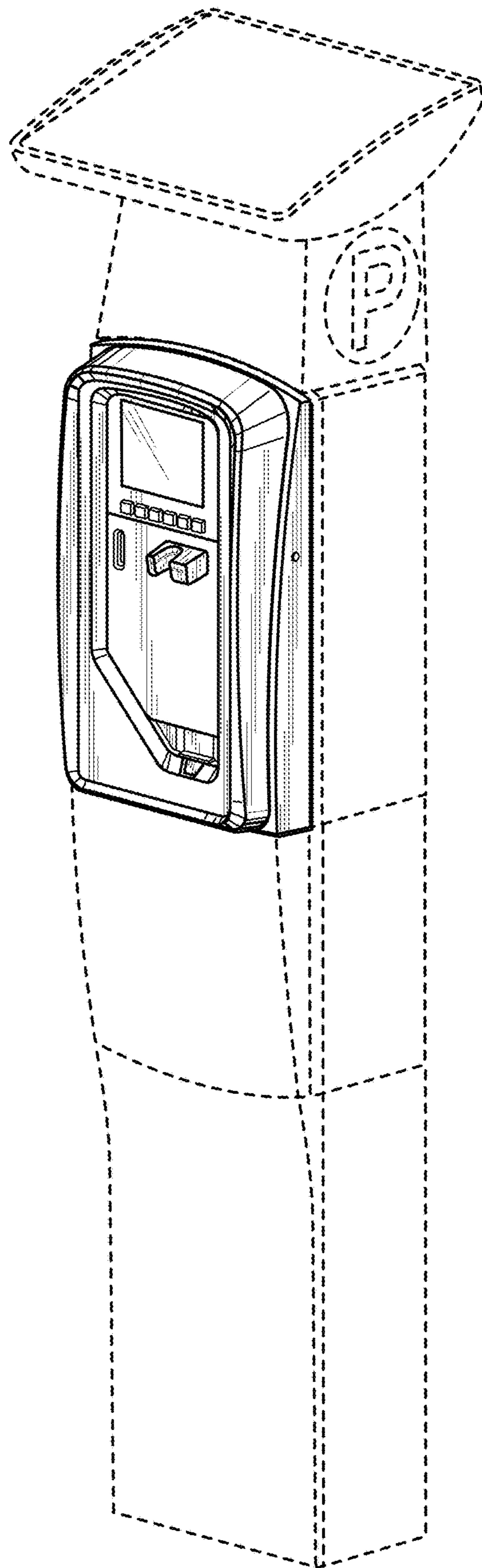


FIG. 7