



US00D802872S

(12) **United States Design Patent**
Frisher

(10) **Patent No.:** **US D802,872 S**

(45) **Date of Patent:** **** *Nov. 14, 2017**

- (54) **VAULT**
- (71) Applicant: **Alan R. Frisher**, Melbourne, FL (US)
- (72) Inventor: **Alan R. Frisher**, Melbourne, FL (US)
- (*) Notice: This patent is subject to a terminal disclaimer.
- (**) Term: **14 Years**
- (21) Appl. No.: **29/517,169**
- (22) Filed: **Feb. 10, 2015**
- (51) **LOC (10) Cl.** **99-00**
- (52) **U.S. Cl.**
USPC **D99/28**
- (58) **Field of Classification Search**
USPC D99/28, 34, 35, 36, 43, 99; 109/1 R,
109/1 V, 2, 45; 902/9, 30; 235/100;
206/0.8, 0.815, 0.82; 312/400, 409
CPC F42B 39/24; E05B 65/0075; E05G 1/00;
E05G 5/00; E05G 2700/00; E05G
2700/02; E05G 2700/04; E05G 5/02;
G05G 1/005; G05G 1/024; G07D
11/0006; G07D 11/0009; G07D 9/002;
G07D 9/004; G07D 9/008; G07D 11/009;
G07F 9/06; G07F 9/003; G07F 17/10;
G07F 17/12
See application file for complete search history.

- 2,088,459 A * 7/1937 Bennett E05G 5/006
312/223.1
- D118,366 S * 1/1940 Davis D99/28
- D120,335 S * 5/1940 Bescherer D99/28
- D120,336 S * 5/1940 Bescherer D99/28
- D120,337 S * 5/1940 Bescherer D99/28
- D273,052 S * 3/1984 Snodgrass D99/28
- D291,019 S * 7/1987 Druihet D8/302
- D308,279 S * 5/1990 Hill D99/28
- D308,744 S * 6/1990 Arauchi D99/28
- D487,179 S * 2/2004 Traversie D12/423
- D493,270 S * 7/2004 Lynch D99/28
- D498,895 S * 11/2004 Lynch D99/28
- D586,525 S * 2/2009 Pendleton D99/28
- D598,175 S * 8/2009 Pendleton D6/668
- D619,775 S * 7/2010 Pendleton D6/668
- D620,675 S * 7/2010 Doettling D99/28
- D623,824 S * 9/2010 Pendleton D6/668
- D659,944 S * 5/2012 Pendleton D99/28
- D698,515 S * 1/2014 Kim D99/28
- 2003/0141794 A1 * 7/2003 Cleveland A47B 81/005
312/409

* cited by examiner

Primary Examiner — Elizabeth J Oswecki
(74) *Attorney, Agent, or Firm* — Brian S. Steinberger;
Law Offices of Brian S. Steinberger, P.A.

(57) **CLAIM**

The ornamental design for a vault, as shown and described.

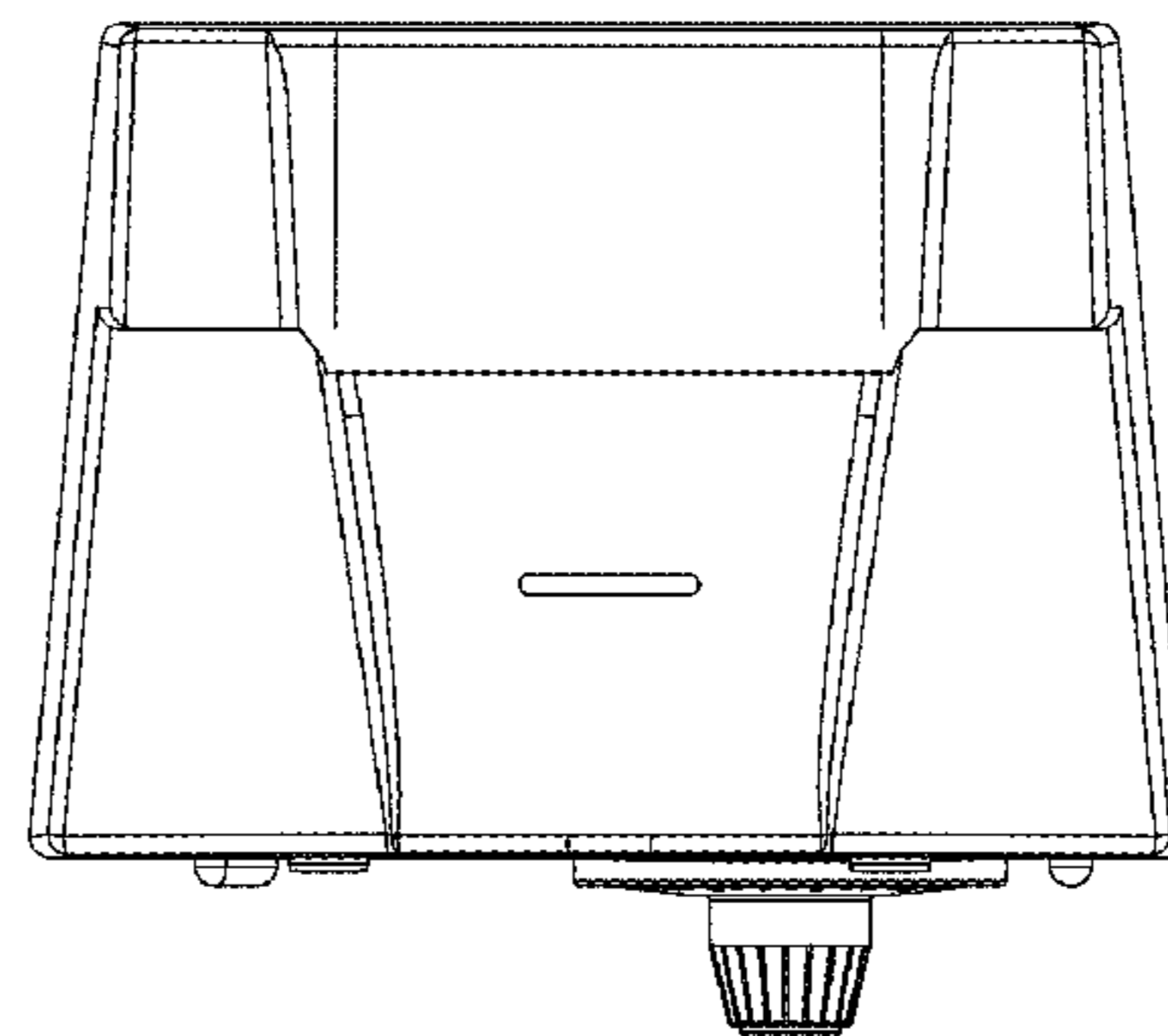
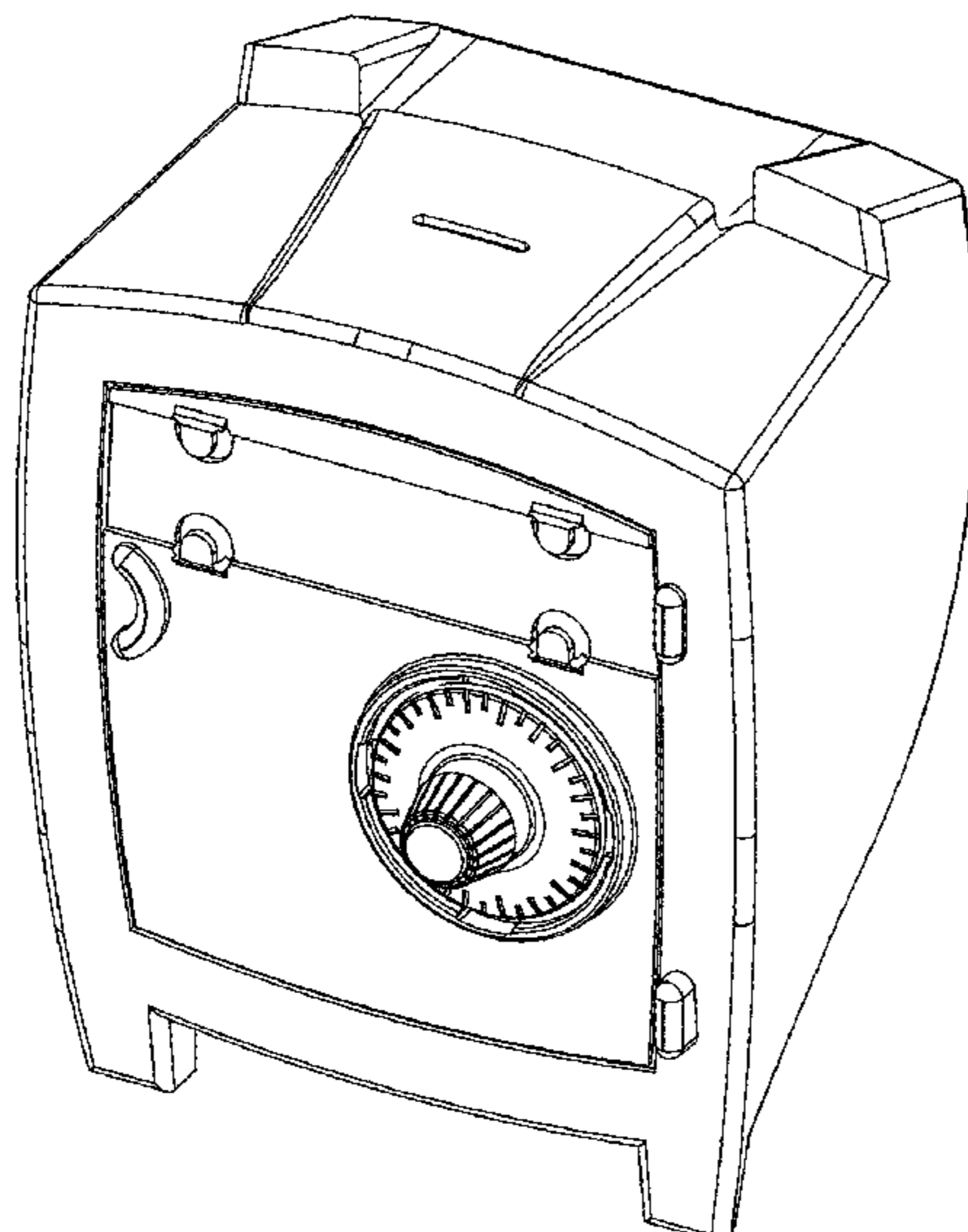
DESCRIPTION

FIG. 1 is a side top perspective view of a vault showing my new design;
FIG. 2 is a top view thereof;
FIG. 3 is a front view thereof;
FIG. 4 is a back view thereof;
FIG. 5 is a bottom view thereof;
FIG. 6 is a side view thereof; and,
FIG. 7 is another side view thereof.

1 Claim, 4 Drawing Sheets

(56) **References Cited**
U.S. PATENT DOCUMENTS

- D3,772 S * 11/1869 Marvin D99/28
- 166,107 A * 7/1875 Hyatt E05G 1/08
109/53
- D87,772 S * 9/1932 Wolters D99/28
- D103,629 S * 3/1937 Davis D99/28
- 2,081,271 A * 5/1937 Ellithorpe E05G 5/00
109/38



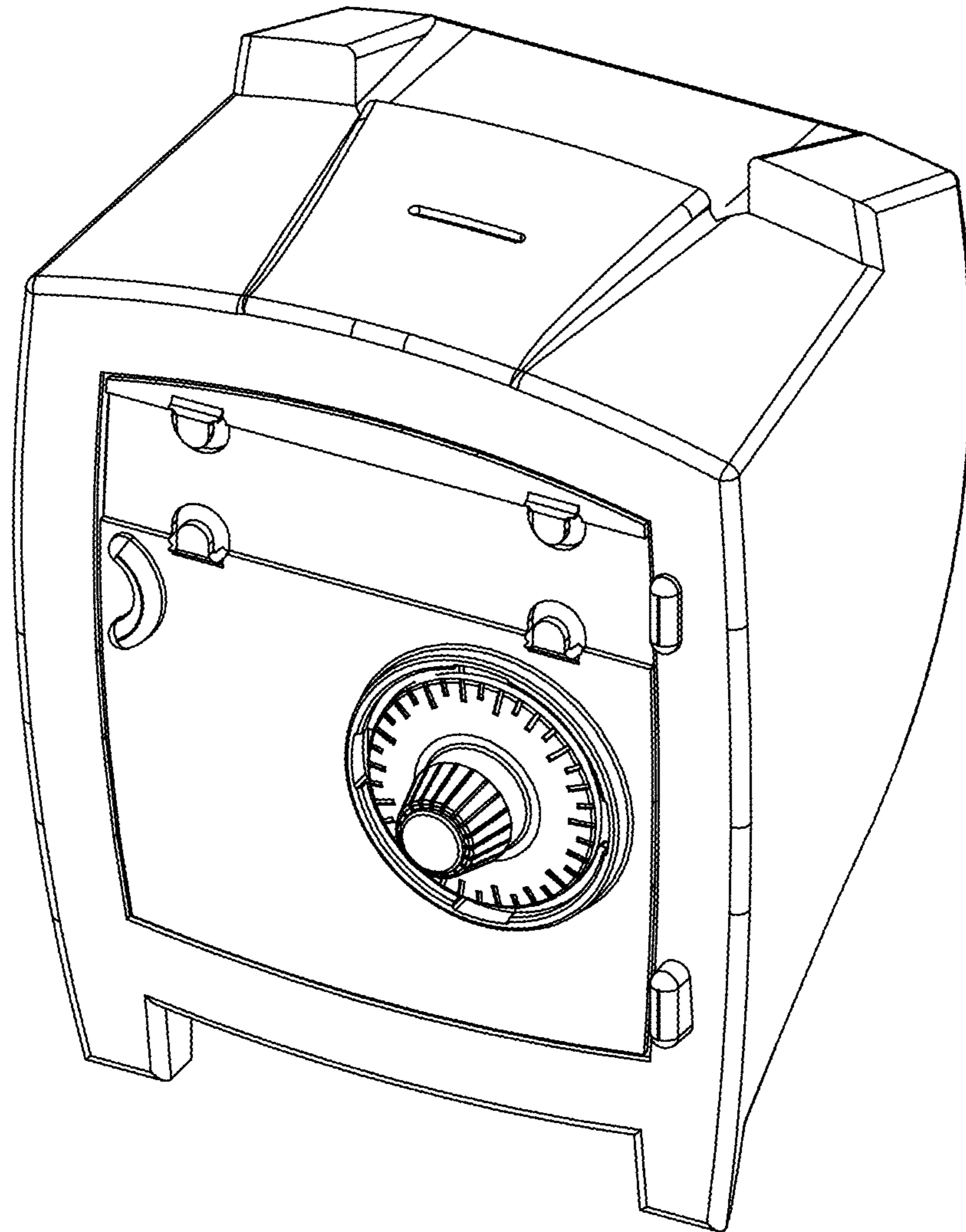


FIG. 1

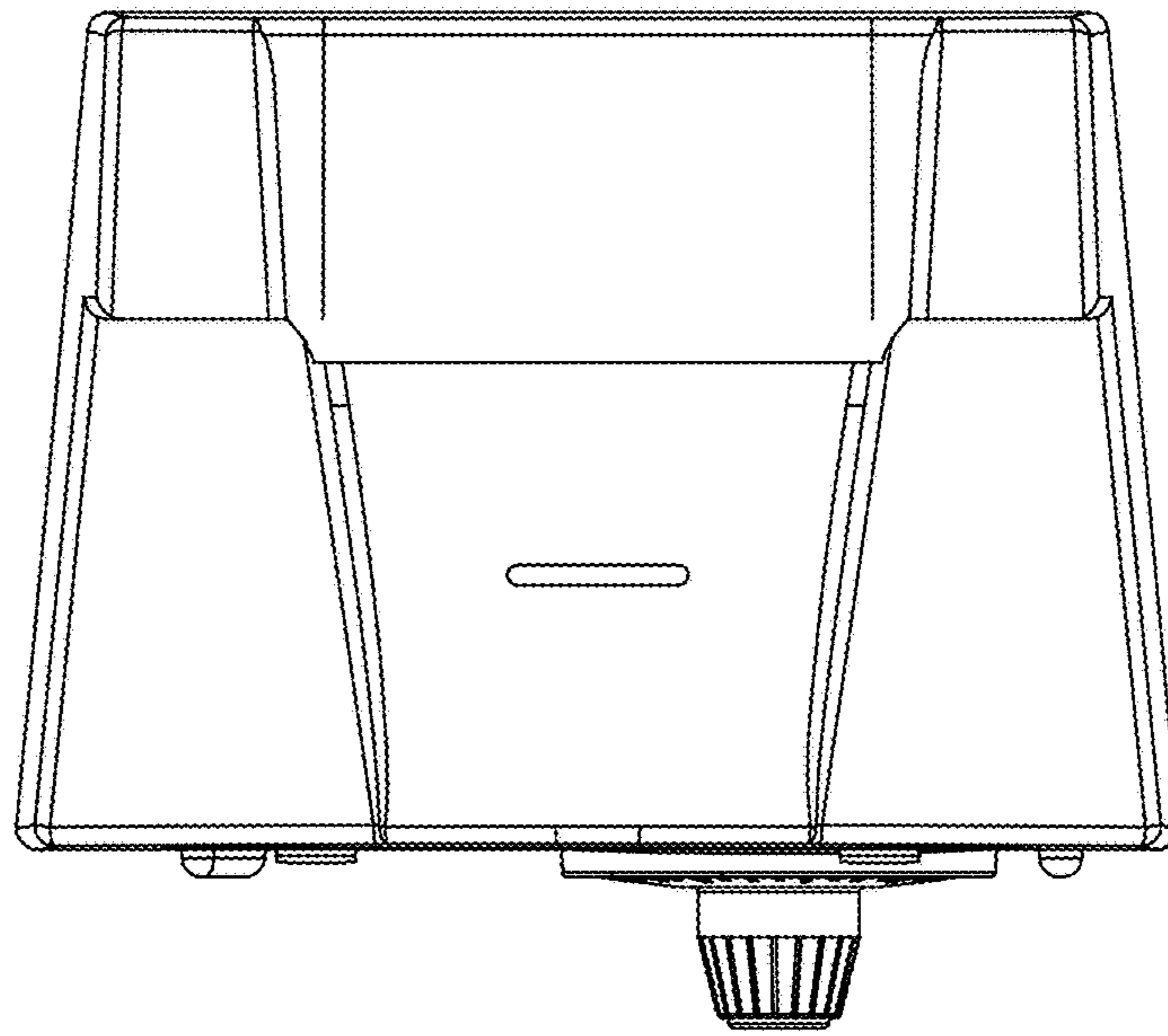


FIG. 2

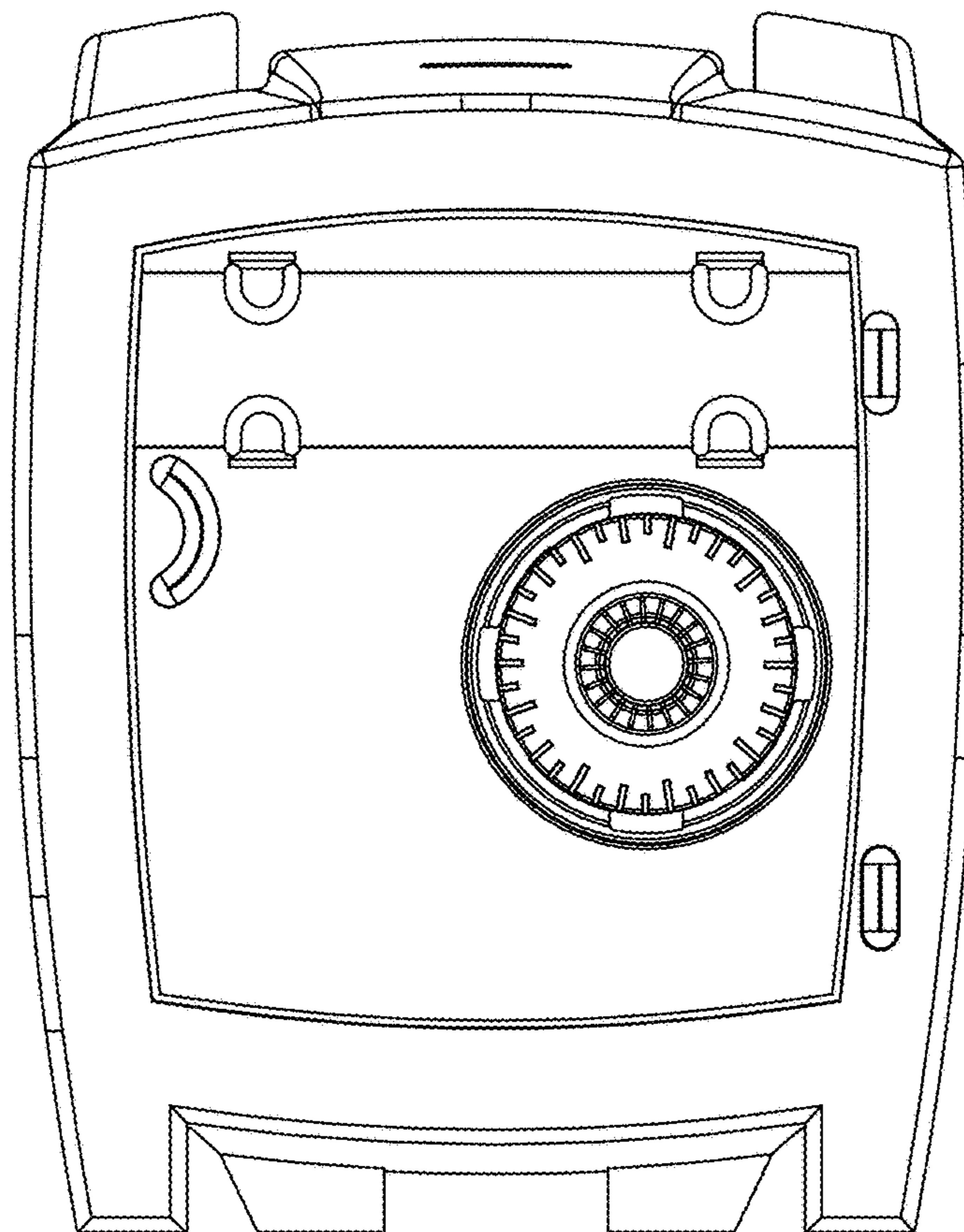


FIG. 3

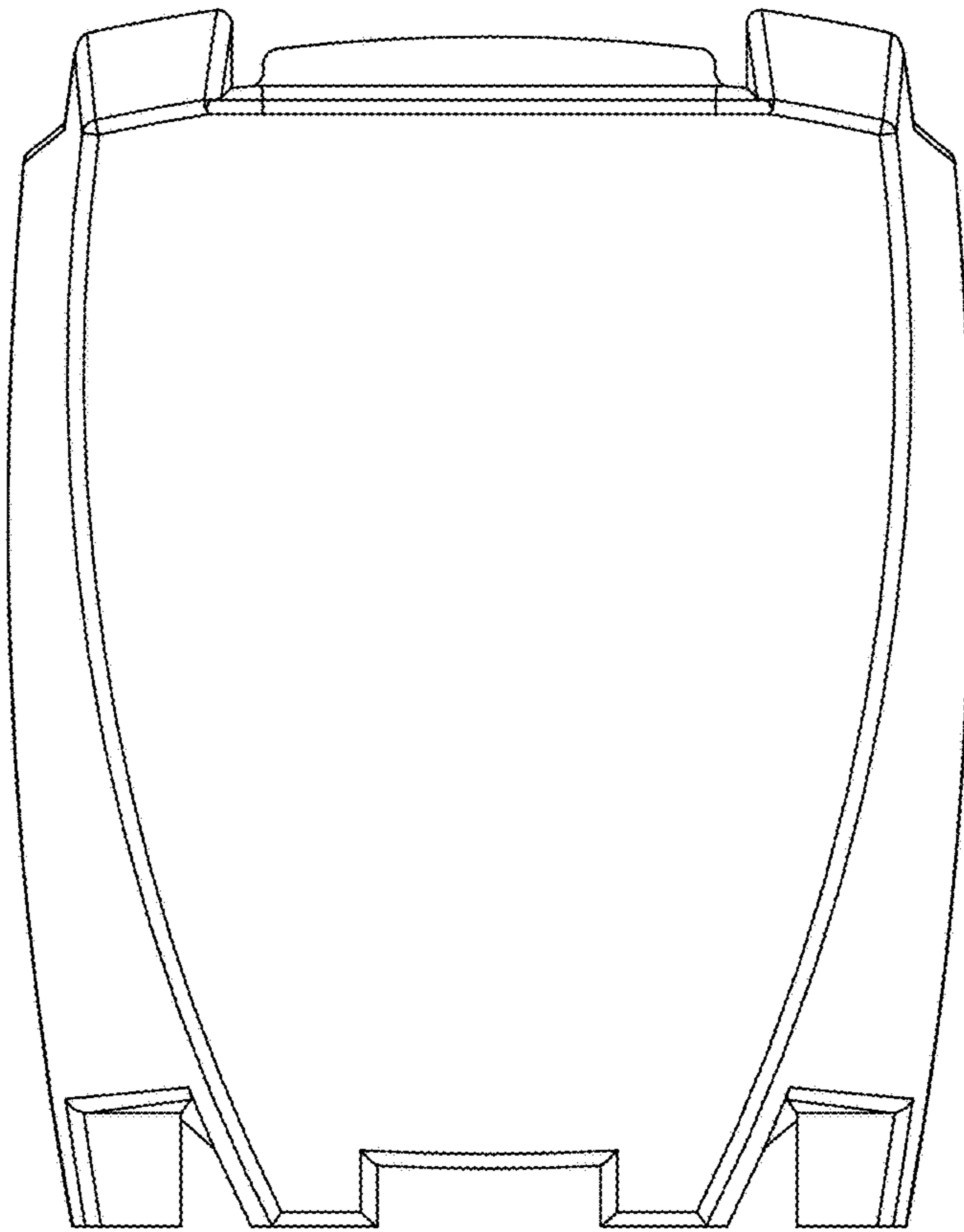


FIG. 4

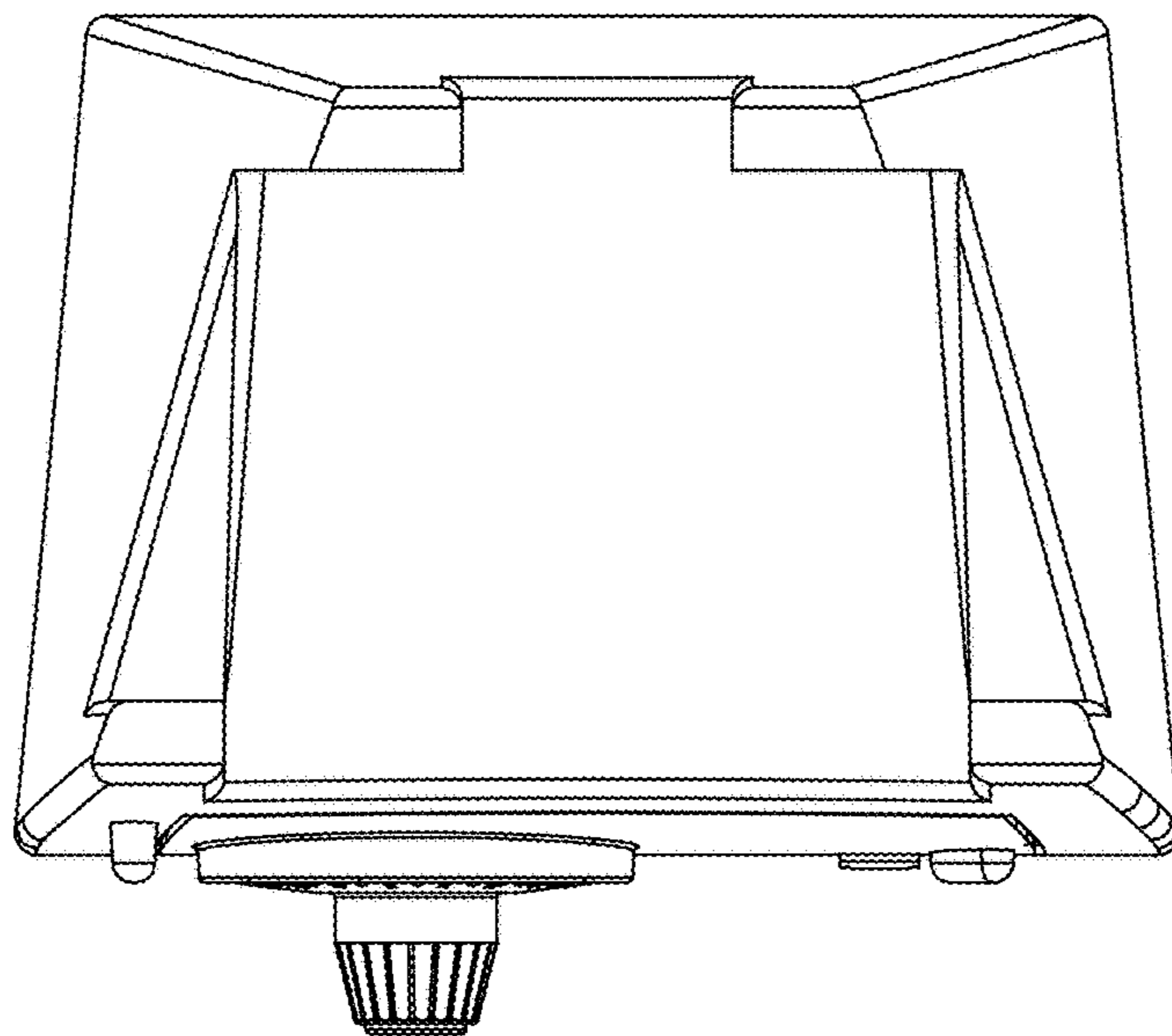


FIG. 5

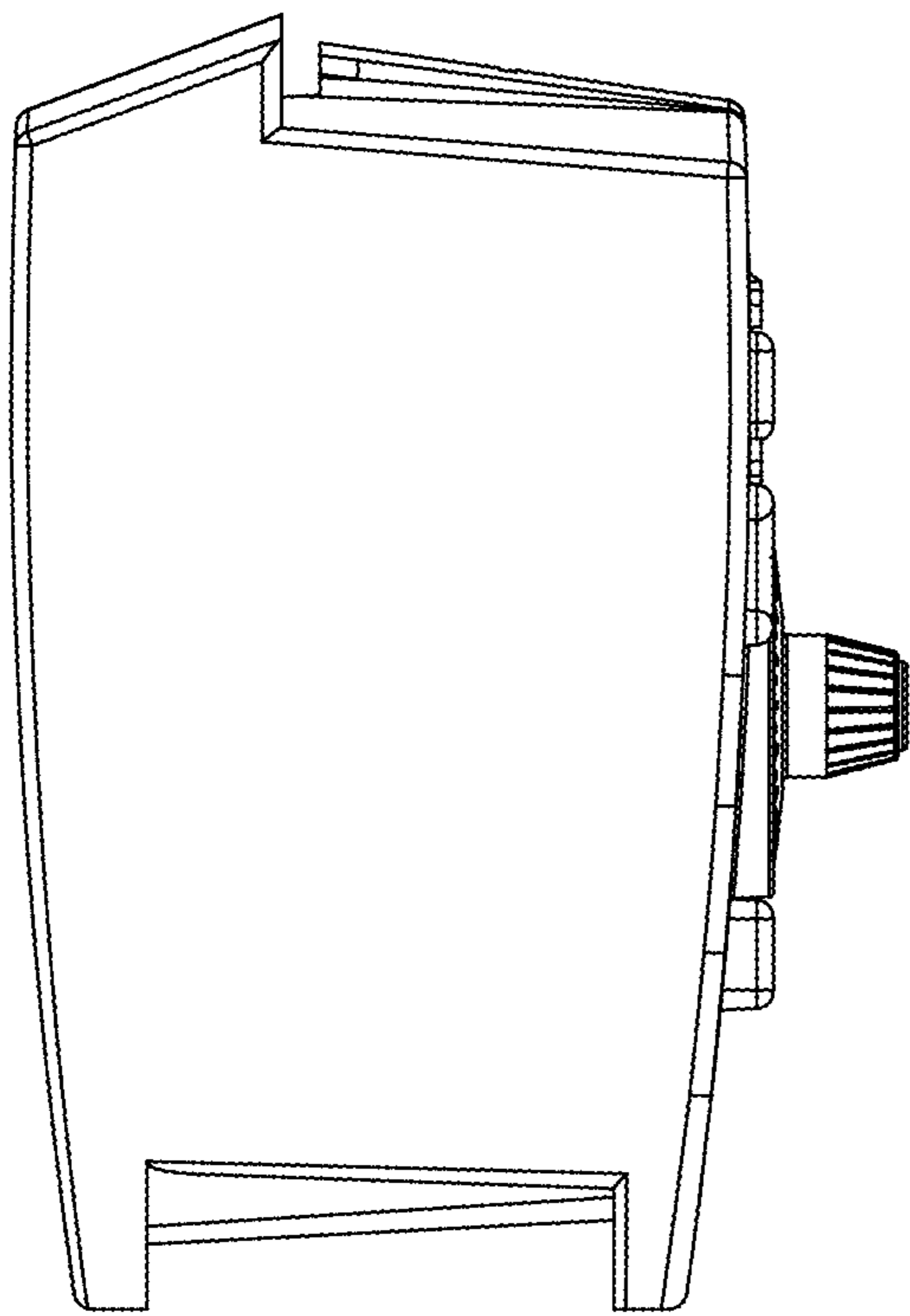


FIG. 6

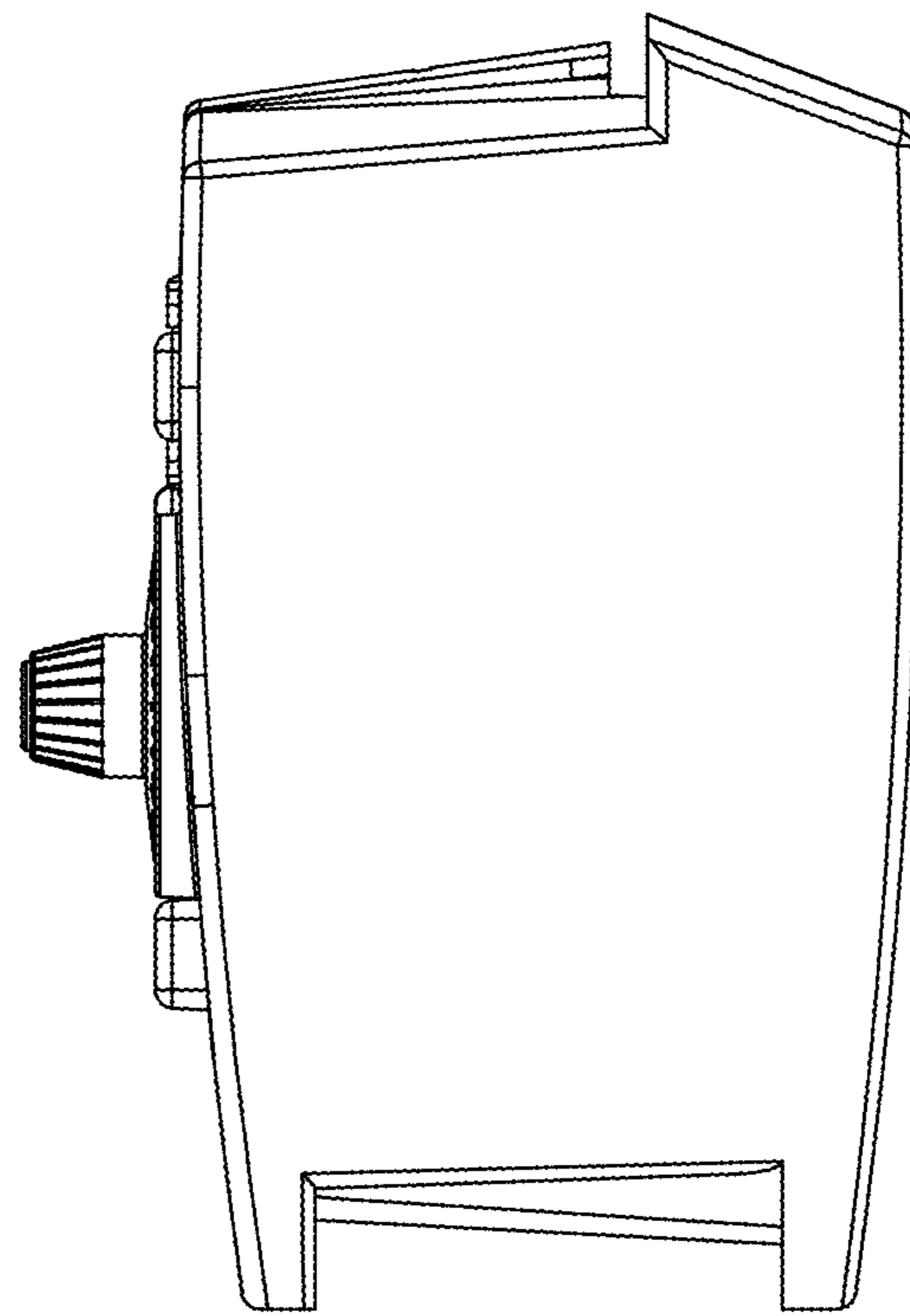


FIG. 7