



US00D802870S

(12) **United States Design Patent**
Sherman et al.

(10) **Patent No.:** **US D802,870 S**

(45) **Date of Patent:** **** Nov. 14, 2017**

(54) **CART**

5,865,449 A 2/1999 Castaneda
5,915,631 A 6/1999 Laxton et al.
6,126,181 A 10/2000 Ondrasik

(Continued)

(71) Applicant: **ZIBRA, LLC**, Mooresville, NC (US)

(72) Inventors: **Michael Milton Sherman**, Mooresville, NC (US); **William Lane Ball**, Statesville, NC (US); **Brent Mitchell Beggs**, North Richland Hills, TX (US)

OTHER PUBLICATIONS

Copending U.S. Appl. No. 29/550,894.

(Continued)

(73) Assignee: **ZIBRA, LLC**, Mooresville, NC (US)

Primary Examiner — Cynthia Ramirez

(**) Term: **15 Years**

(74) *Attorney, Agent, or Firm* — Tillman Wright, PLLC; Chad D. Tillman

(21) Appl. No.: **29/550,899**

(57) **CLAIM**

(22) Filed: **Jan. 7, 2016**

The ornamental design for a cart, as shown and described.

(51) **LOC (10) Cl.** **12-02**

(52) **U.S. Cl.**

DESCRIPTION

USPC **D34/27**

(58) **Field of Classification Search**

USPC D34/12-27; 280/33.991-997, 47.17, 280/47.19, 47.24, 47.26, 47.29, 47.35, 280/47.38, 79.11, 79.2, 79.3; D6/675.2, D6/675.5, 676.2, 677.2, 677.5, 678.4, D6/680.3, 681

CPC B62B 3/14; B62B 3/144; B62B 3/1496; B62B 3/1404; B62B 2501/065; B62B 5/06; B62B 5/069; B62B 5/0423

See application file for complete search history.

FIG. 1 is a plan view of a right side of a cart showing our design.

FIG. 2 is a perspective view of the right side of the cart of FIG. 1 following rotation of the cart from the view of FIG. 1 in a counterclockwise direction.

FIG. 3 is a perspective view of the back right corner of the cart of FIG. 1 following continued rotation of the cart from the view of FIG. 2.

FIG. 4 is a perspective view of the back of the cart of FIG. 1 following continued rotation of the cart from the view of FIG. 3.

FIG. 5 is a perspective view of the back left corner of the cart of FIG. 1 following continued rotation of the cart from the view of FIG. 4.

FIG. 6 is a perspective view of the left side of the cart of FIG. 1 following continued rotation of the cart from the view of FIG. 5; and,

FIG. 7 is an elevational view of the left side of the cart of FIG. 1.

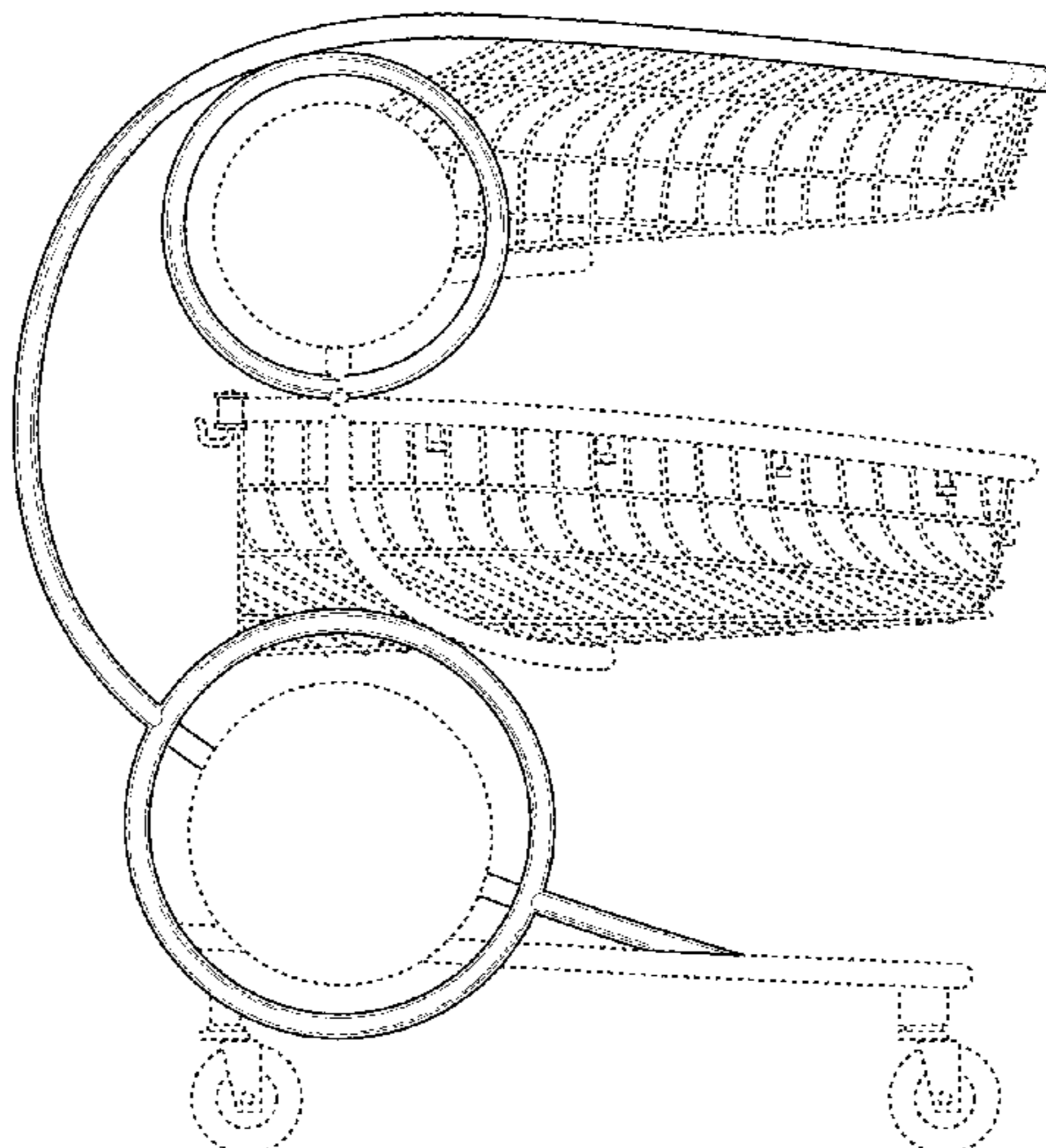
The broken lines are included for the purpose of illustrating portions of the cart and form no part of the claimed design.

(56) **References Cited**

U.S. PATENT DOCUMENTS

2,479,530 A	8/1949	Watson
D177,906 S	6/1956	Duchin
D199,448 S	10/1964	Corbett
4,116,456 A	9/1978	Stover
D303,308 S	9/1989	Meitl
D331,135 S	11/1992	Lewandowski
5,427,394 A	6/1995	Lauto
5,435,582 A	7/1995	Davidson
5,848,797 A	12/1998	Paez

1 Claim, 7 Drawing Sheets



(56)

References Cited

U.S. PATENT DOCUMENTS

D472,026 S 3/2003 Walter
D526,107 S 8/2006 Duchene
7,396,025 B2 7/2008 Ondrasik
D577,172 S * 9/2008 Coderre D34/12
D580,619 S * 11/2008 Walter D34/21
7,566,069 B1 7/2009 Ortega et al.
D606,723 S * 12/2009 Walter D34/20
D607,173 S * 12/2009 Selvig D34/21
7,681,891 B2 3/2010 Deal et al.
7,766,347 B2 8/2010 Ryan et al.
D633,269 S * 2/2011 Walter D34/21
9,085,314 B2 7/2015 Selvig
D742,612 S * 11/2015 Walter D34/21
D749,286 S 2/2016 Sherman et al.
2016/0257329 A1 * 9/2016 Sherman B62B 3/144

OTHER PUBLICATIONS

Copending U.S. Appl. No. 29/550,895.
Copending U.S. Appl. No. 29/550,896.
Copending U.S. Appl. No. 29/550,898.
Copending U.S. Appl. No. 15/051,658.
Copending U.S. Appl. No. 29/550,900.
Copending U.S. Appl. No. 29/554,140.
Copending U.S. Appl. No. 29/554,141.

* cited by examiner

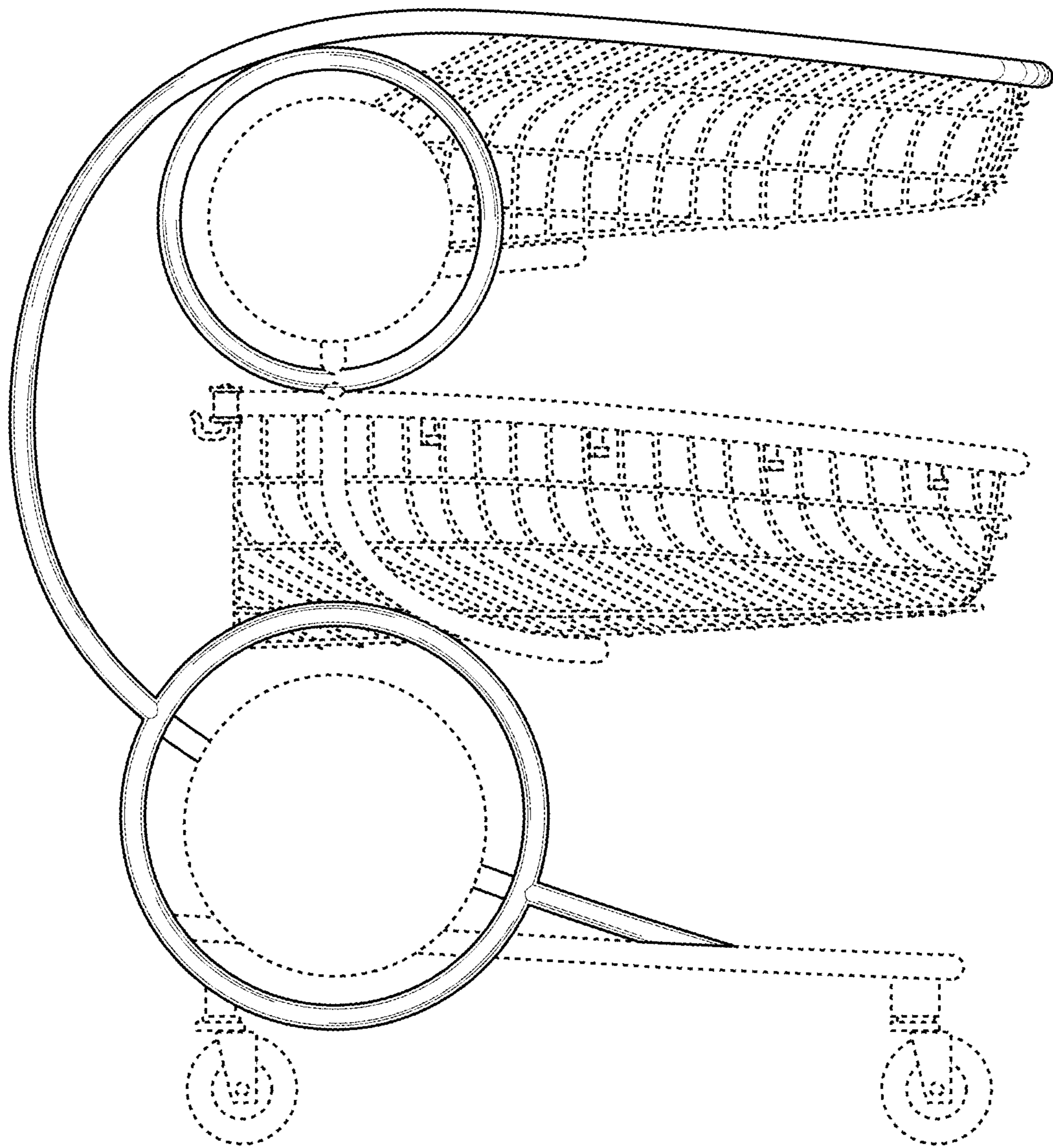


FIG. 1

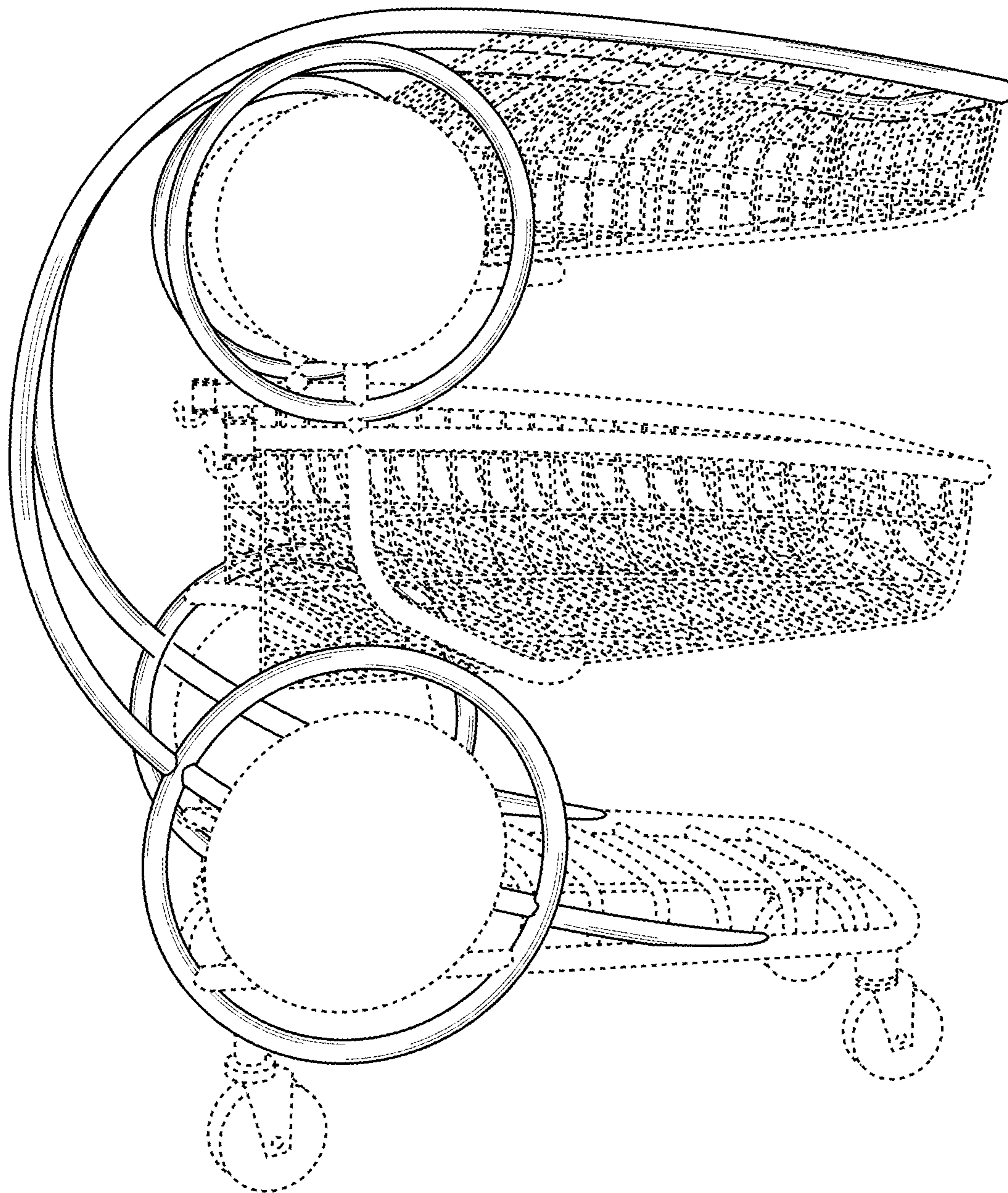


FIG. 2

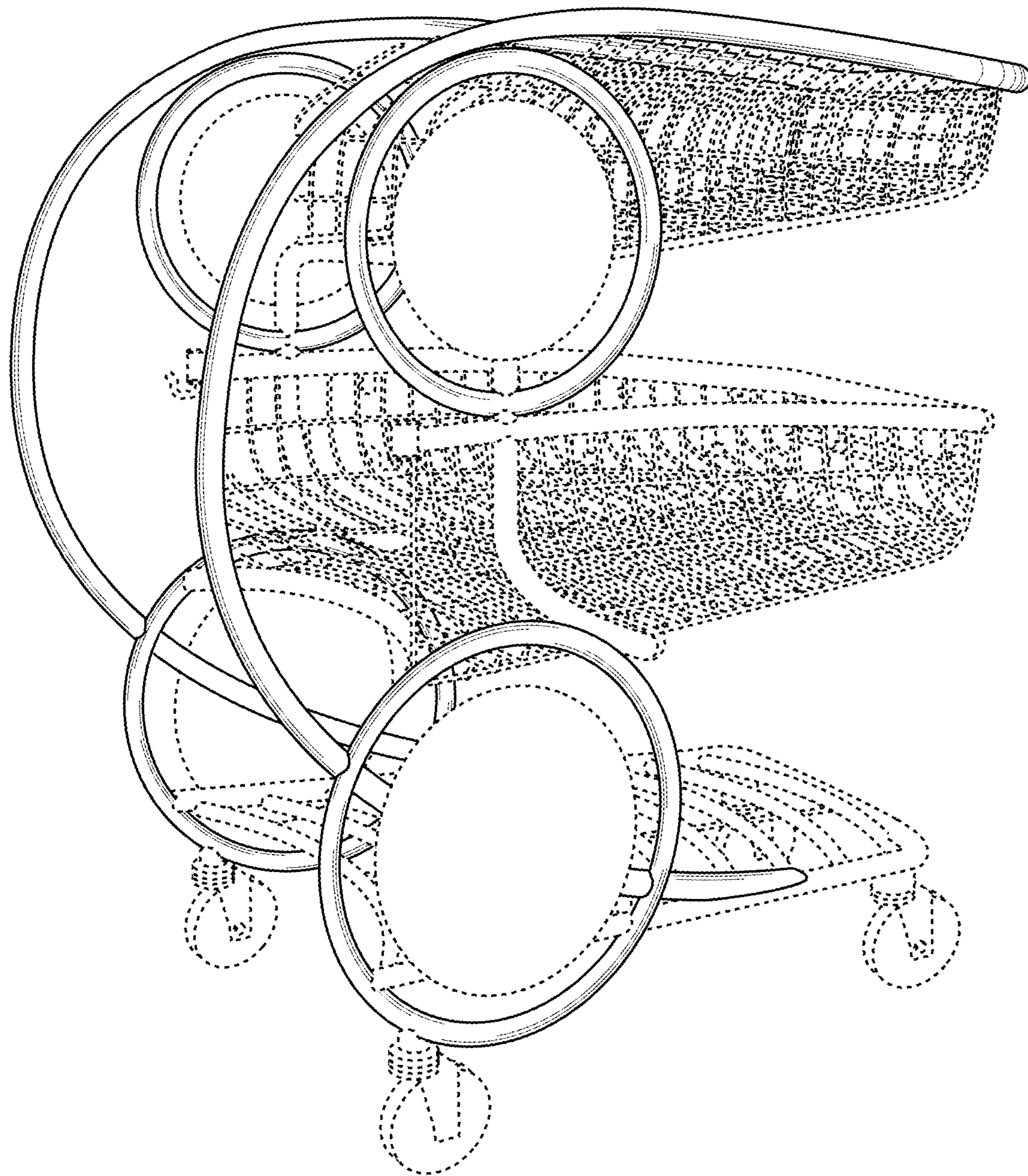


FIG. 3

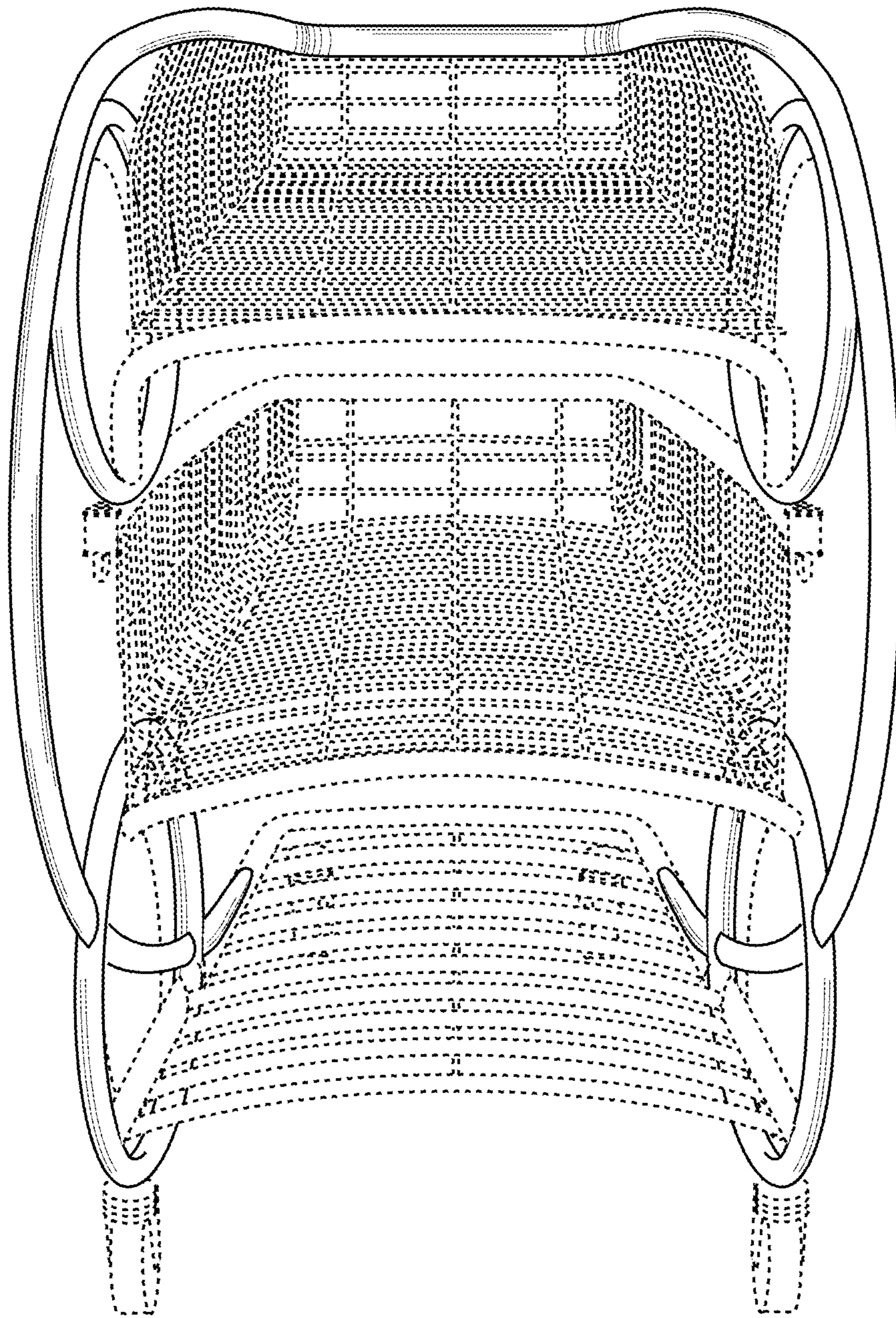


FIG. 4

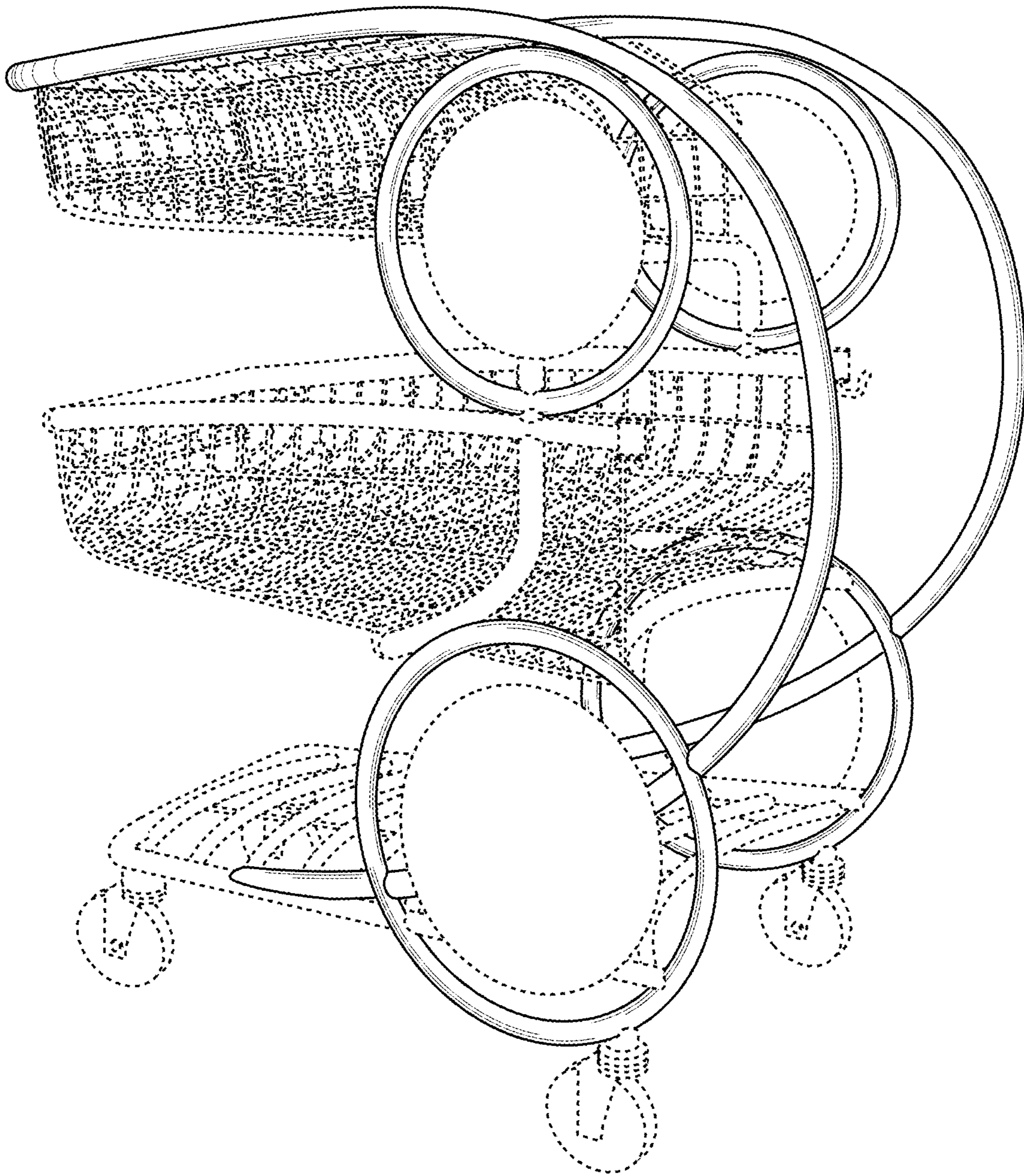


FIG. 5

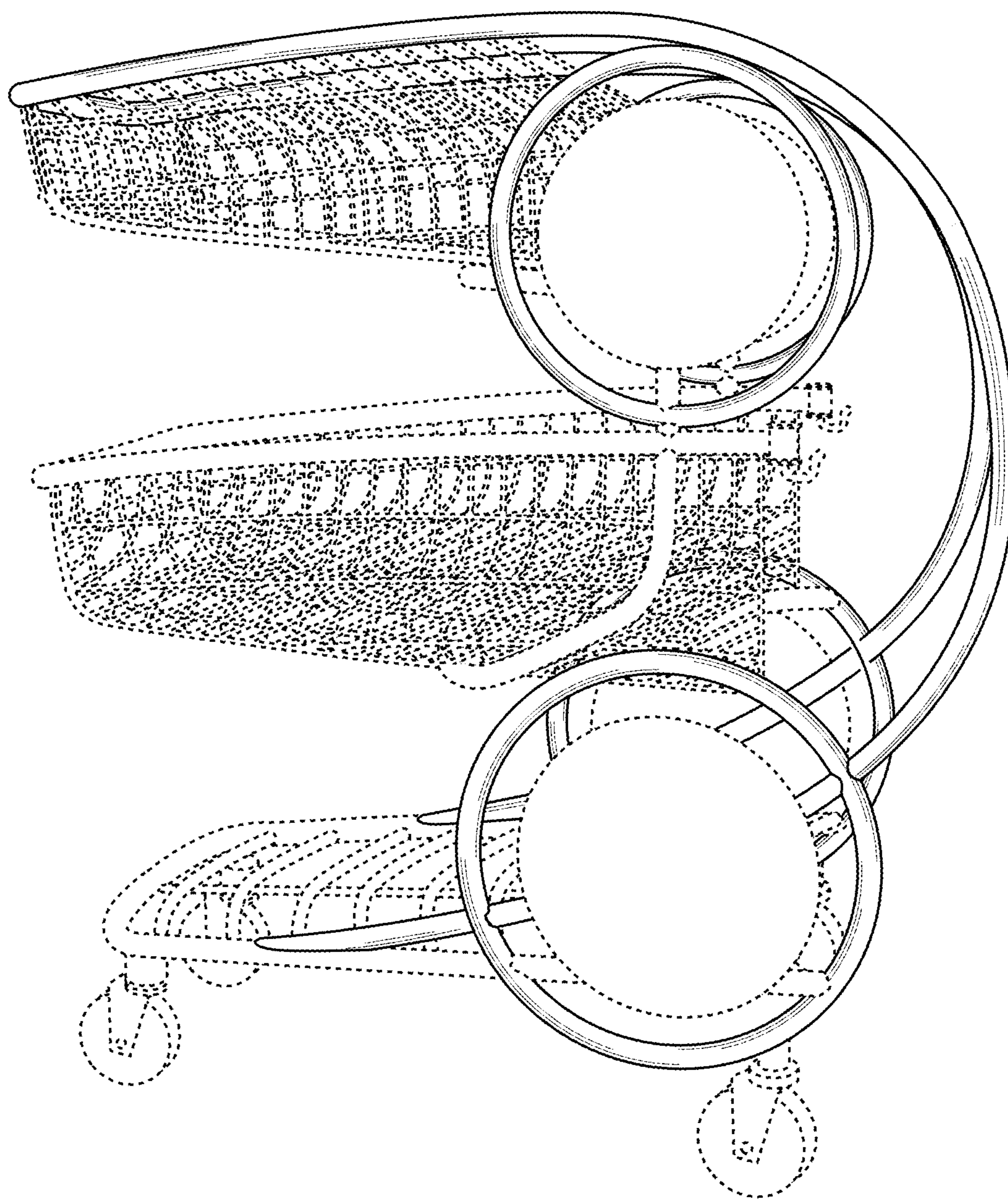


FIG. 6

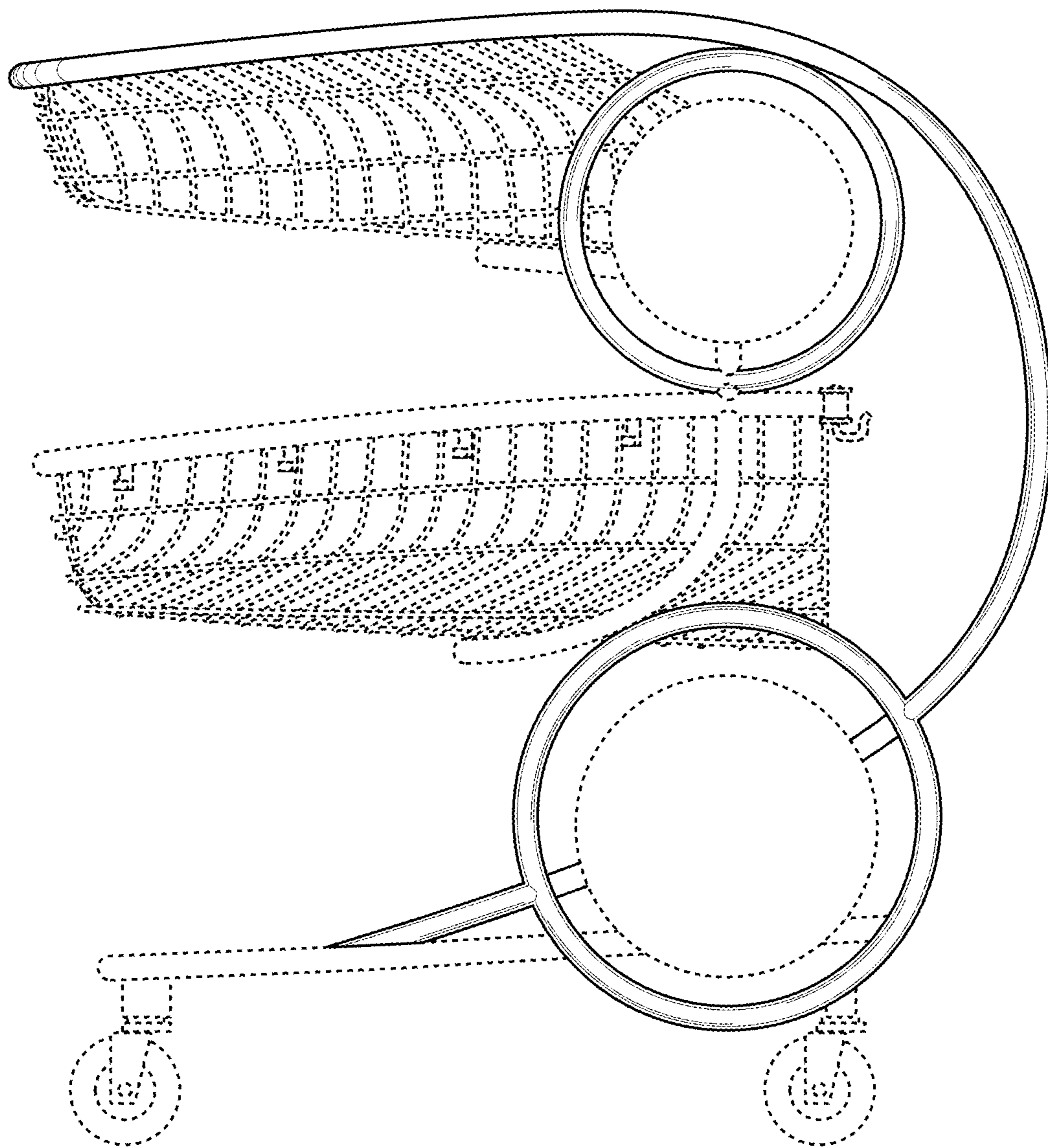


FIG. 7