



US00D802869S

(12) **United States Design Patent** (10) **Patent No.:** **US D802,869 S**
Sherman et al. (45) **Date of Patent:** **** Nov. 14, 2017**

(54) **CART**

(71) Applicant: **ZIBRA, LLC**, Mooresville, NC (US)

(72) Inventors: **Michael Milton Sherman**, Mooresville, NC (US); **William Lane Ball**, Statesville, NC (US); **Brent Mitchell Beggs**, North Richland Hills, TX (US)

(73) Assignee: **ZIBRA, LLC**, Mooresville, NC (US)

(**) Term: **15 Years**

(21) Appl. No.: **29/550,898**

(22) Filed: **Jan. 7, 2016**

(51) **LOC (10) Cl.** **12-02**

(52) **U.S. Cl.**
USPC **D34/27**

(58) **Field of Classification Search**
USPC D34/12-27; 280/33.991-997, 47.17, 280/47.19, 47.24, 47.26, 47.29, 47.35, 280/47.38, 79.11, 79.2, 79.3; D6/675.2, D6/675.5, 676.2, 677.2, 677.5, 678.4, D6/680.3, 681

(Continued)

(56) **References Cited**

U.S. PATENT DOCUMENTS

2,479,530 A 8/1949 Watson
D177,906 S 6/1956 Duchin
(Continued)

OTHER PUBLICATIONS

Applicant's copending U.S. Appl. No. 29/550,894.
(Continued)

Primary Examiner — Cynthia Ramirez

(74) *Attorney, Agent, or Firm* — Tillman Wright, PLLC; Chad D. Tillman

(57) **CLAIM**

The ornamental design for a cart, as shown and described.

DESCRIPTION

FIG. 1 is a right side elevational view of a cart showing our new design.

FIG. 2 is a perspective view of the right side of the cart of FIG. 1.

FIG. 3 is another perspective view of the right side of the cart of FIG. 1 following rotation of the cart from the view of FIG. 2 in a counterclockwise direction.

FIG. 4 is a perspective view of the back right corner of the cart of FIG. 1 following continued rotation of the cart from the view of FIG. 3.

FIG. 5 is a perspective view of the back of the cart of FIG. 1 following continued rotation of the cart from the view of FIG. 4.

FIG. 6 is a perspective view of the back left corner of the cart of FIG. 1 following continued rotation of the cart from the view of FIG. 5.

FIG. 7 is a perspective view of the left side of the cart of FIG. 1 following continued rotation of the cart from the view of FIG. 6.

FIG. 8 is another perspective view of the left side of the cart of FIG. 1 following continued rotation of the cart from the view of FIG. 7.

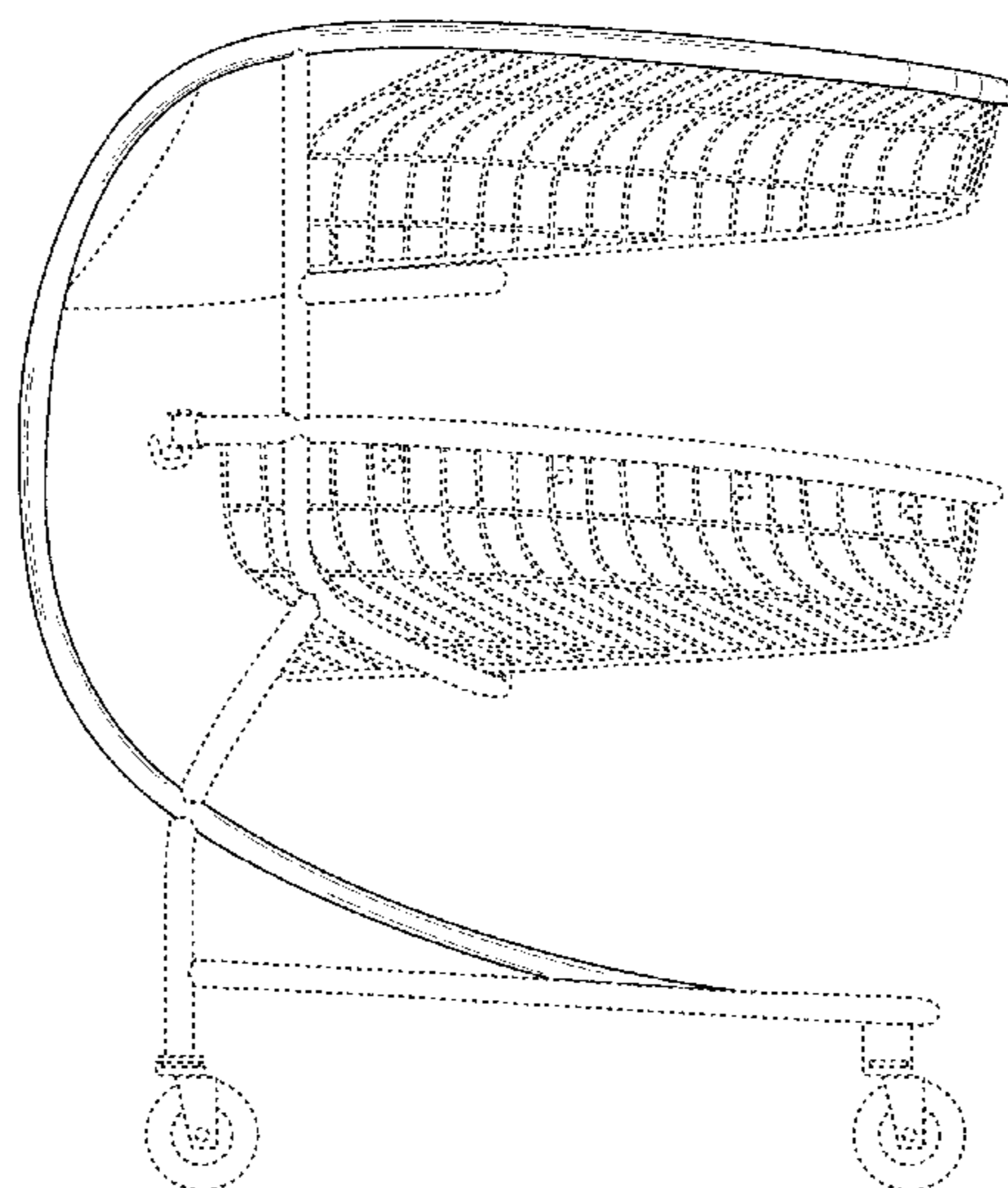
FIG. 9 is a left side elevational view of the cart of FIG. 1. FIG. 10 is another perspective view of the left side of the cart of FIG. 1.

FIG. 11 is another perspective view of the right side of the cart of FIG. 1; and,

FIG. 12 is a perspective view of the top of the cart of FIG. 1.

The broken lines are included for the purpose of illustrating portions of the cart and form no part of the claimed design.

1 Claim, 12 Drawing Sheets



(58) **Field of Classification Search**
 CPC B62B 3/14; B62B 3/144; B62B 3/1496;
 B62B 3/1404; B62B 2501/065; B62B
 5/06; B62B 5/069; B62B 5/0423
 See application file for complete search history.

(56) **References Cited**

U.S. PATENT DOCUMENTS

D199,448 S	10/1964	Corbett	
4,116,456 A	9/1978	Stover	
D303,308 S	9/1989	Meitl	
D331,135 S	11/1992	Lewandowski	
5,427,394 A	6/1995	Lauto	
5,435,582 A	7/1995	Davidson	
5,848,797 A	12/1998	Paez	
5,865,449 A	2/1999	Castaneda	
5,915,631 A	6/1999	Laxton et al.	
6,126,181 A	10/2000	Ondrasik	
D472,026 S	3/2003	Walter	
D526,107 S	8/2006	Duchene	
7,396,025 B2	7/2008	Ondrasik	
D577,172 S *	9/2008	Coderre D34/12

D580,619 S *	11/2008	Walter D34/21
7,566,069 B1	7/2009	Ortega et al.	
D606,723 S *	12/2009	Walter D34/20
D607,173 S *	12/2009	Selvig D34/21
7,681,891 B2	3/2010	Deal et al.	
7,766,347 B2	8/2010	Ryan et al.	
D633,269 S *	2/2011	Walter D34/21
9,085,314 B2	7/2015	Selvig	
D742,612 S *	11/2015	Walter D34/21
D749,286 S	2/2016	Sherman et al.	
2016/0257329 A1 *	9/2016	Sherman B62B 3/144

OTHER PUBLICATIONS

Applicant's copending U.S. Appl. No. 29/550,895.
 Applicant's copending U.S. Appl. No. 29/550,896.
 Applicant's copending U.S. Appl. No. 15/051,658.
 Applicant's copending U.S. Appl. No. 29/550,899.
 Applicant's copending U.S. Appl. No. 29/550,900.
 Applicant's copending U.S. Appl. No. 29/554,140.
 Applicant's copending U.S. Appl. No. 29/554,141.

* cited by examiner

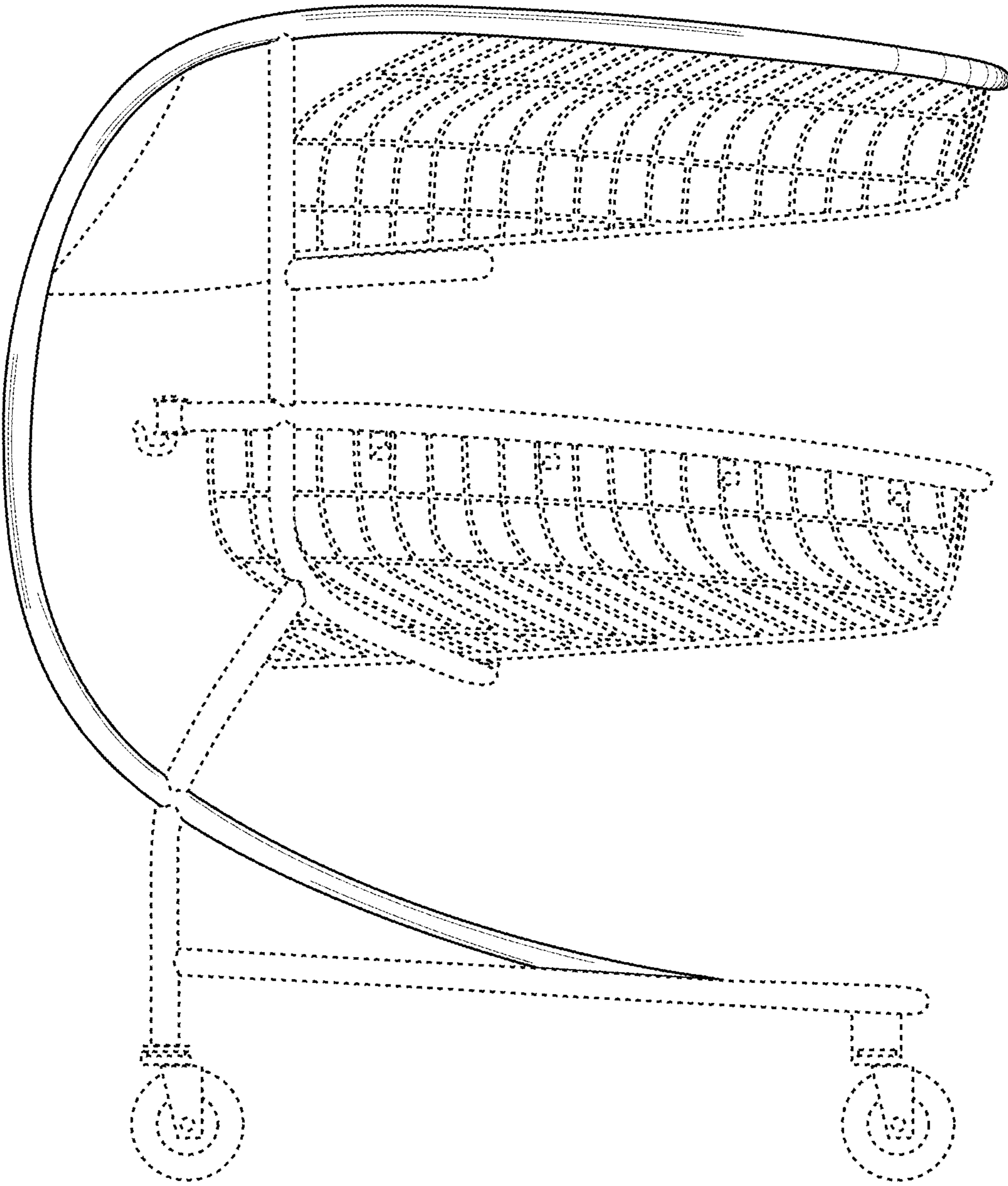


FIG. 1

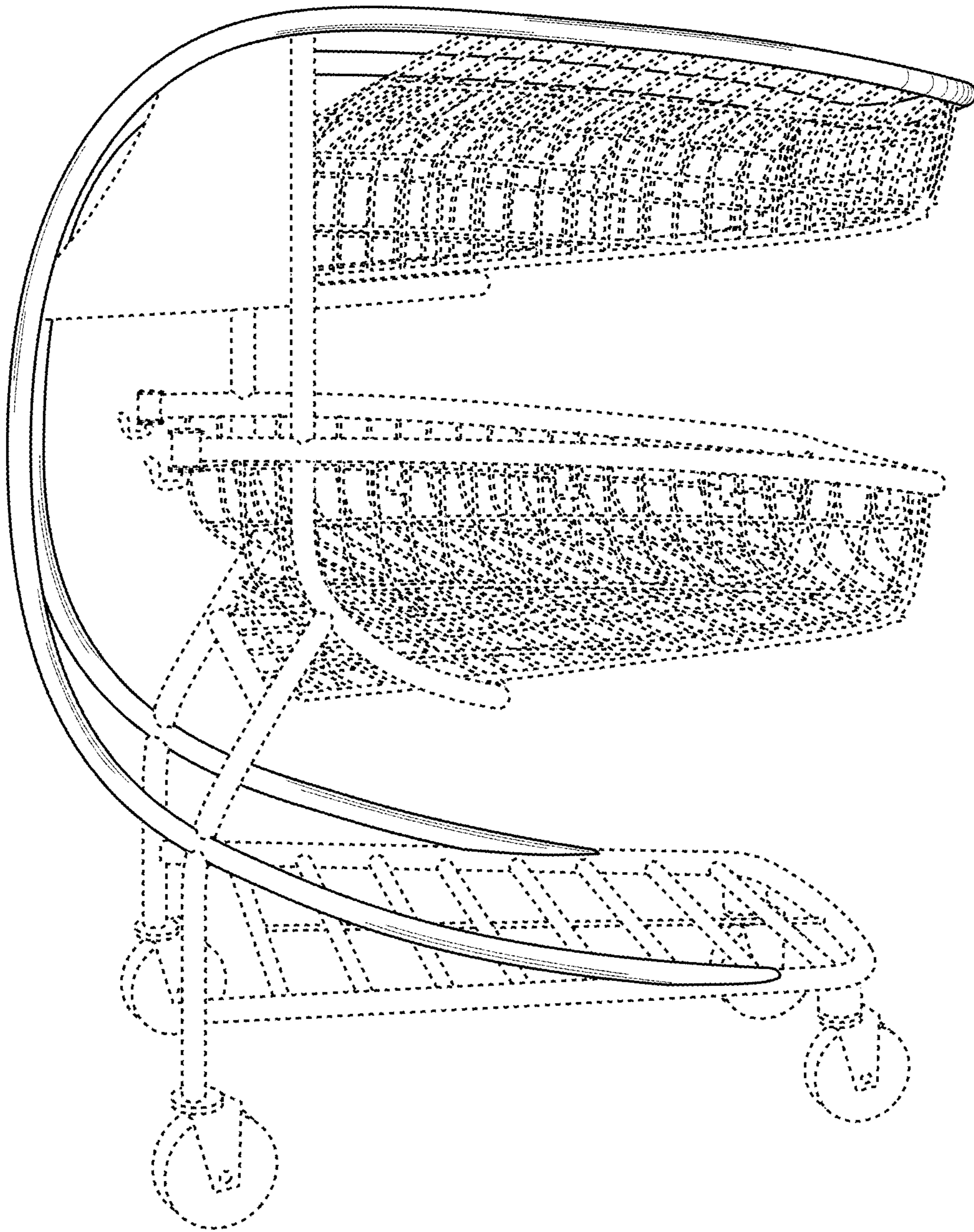


FIG. 2

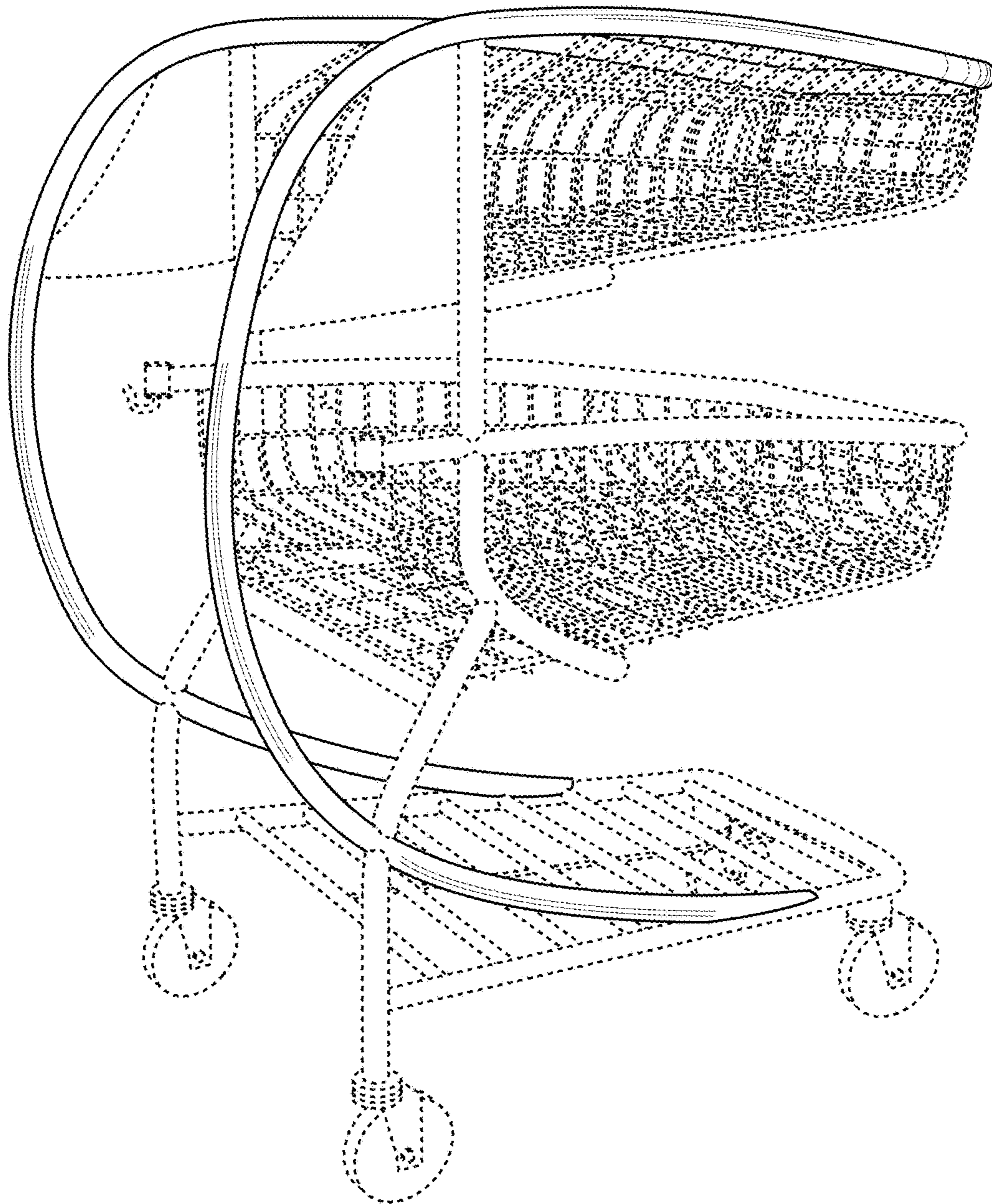


FIG. 3

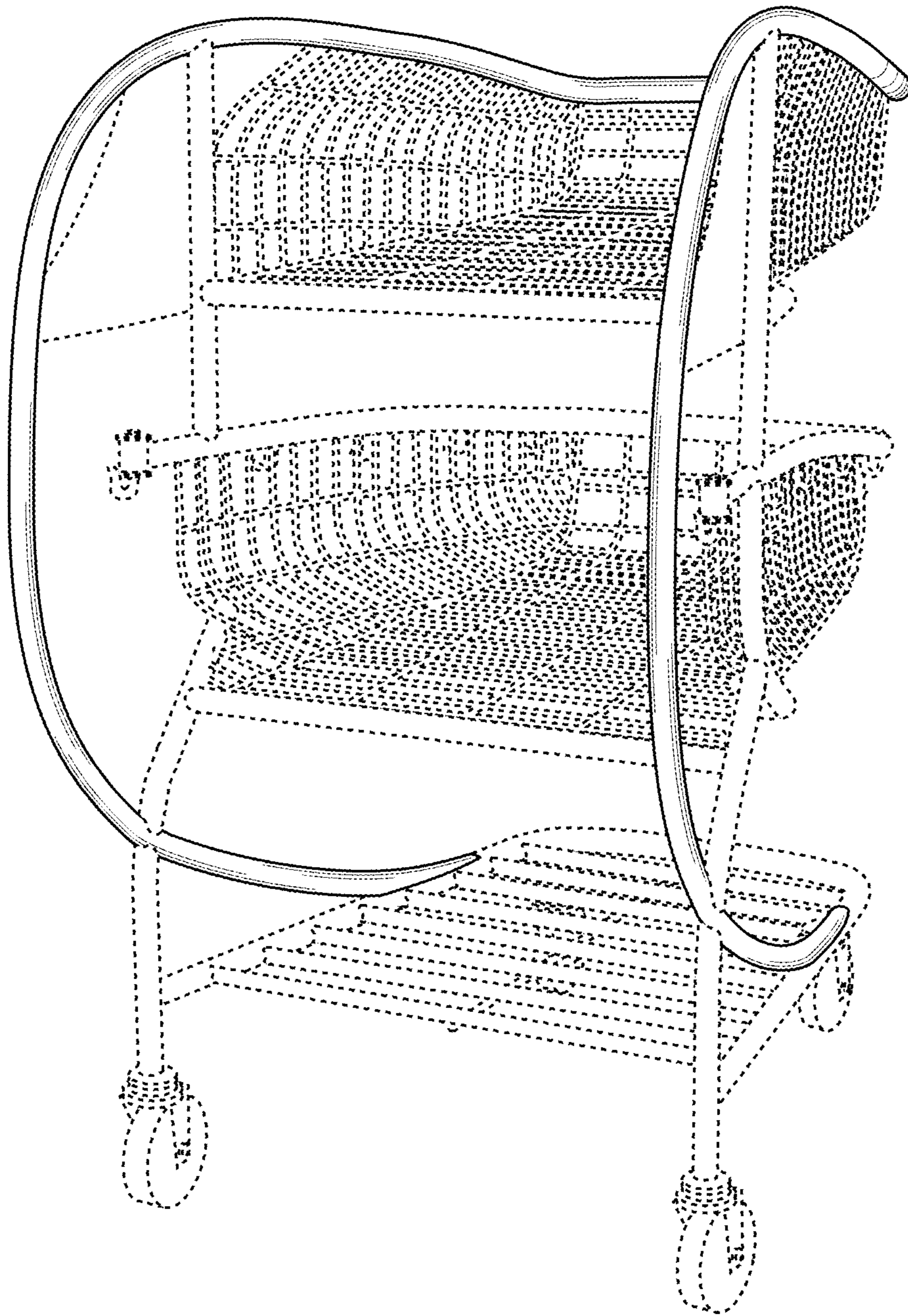


FIG. 4

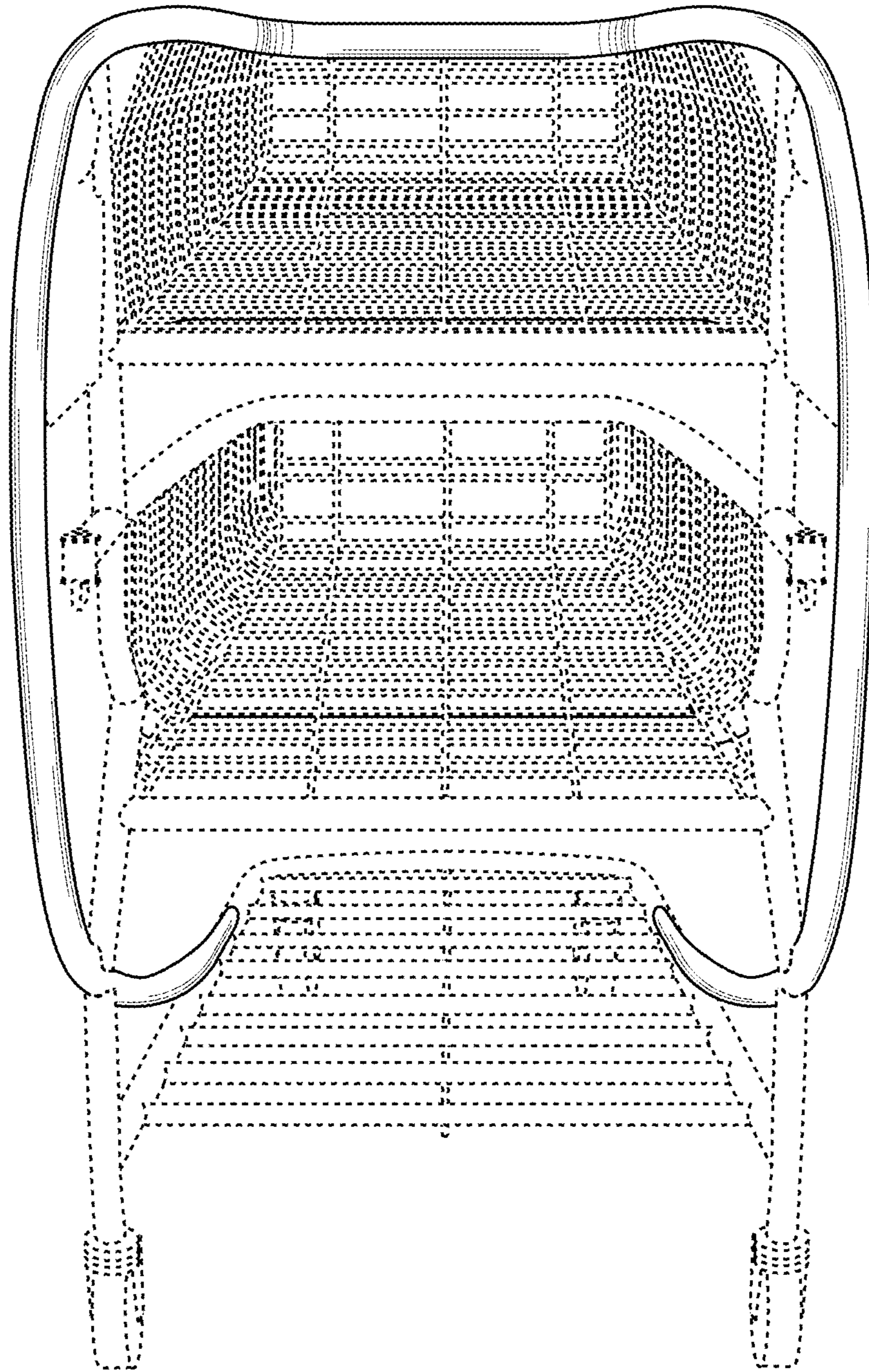


FIG. 5

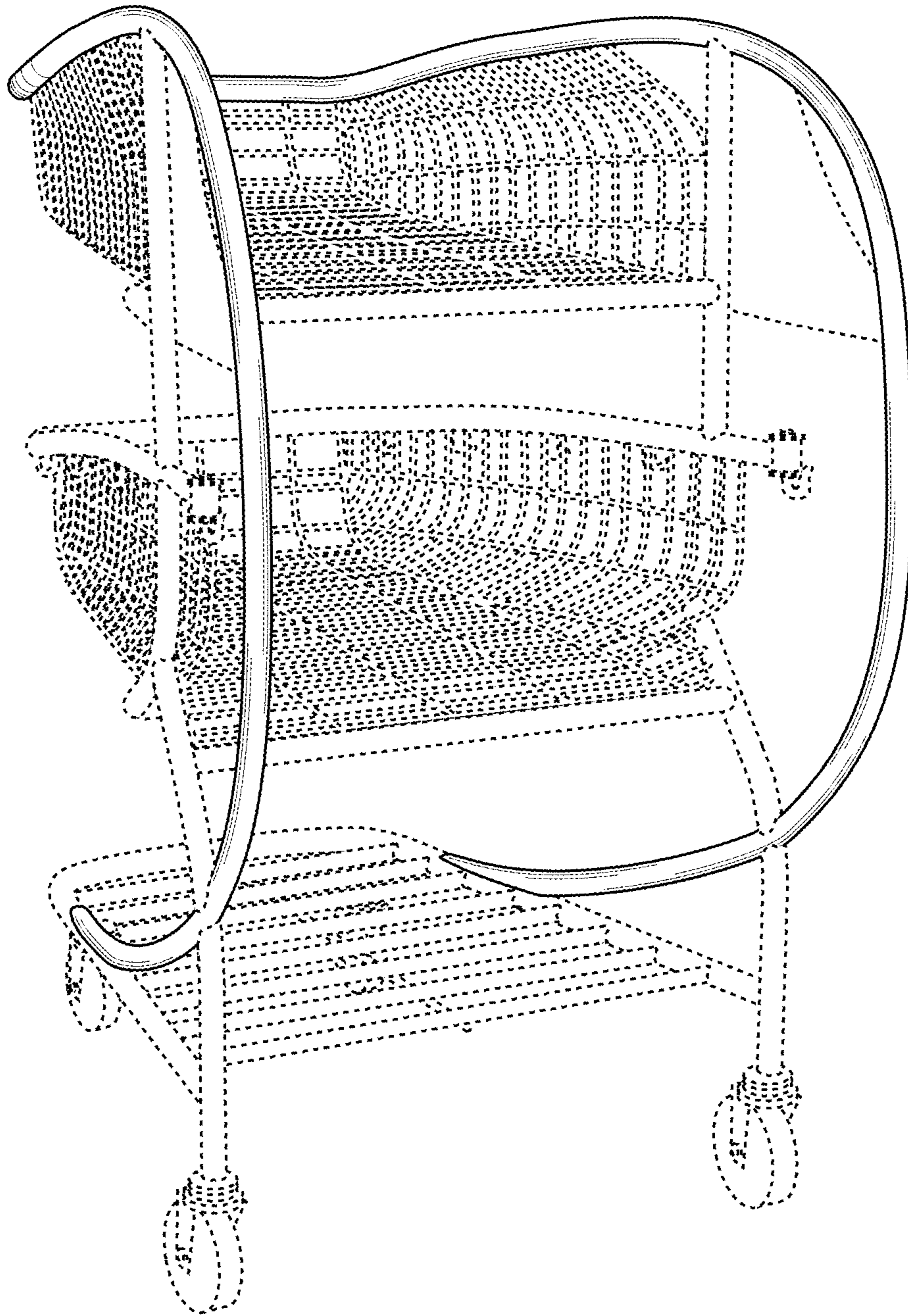


FIG. 6

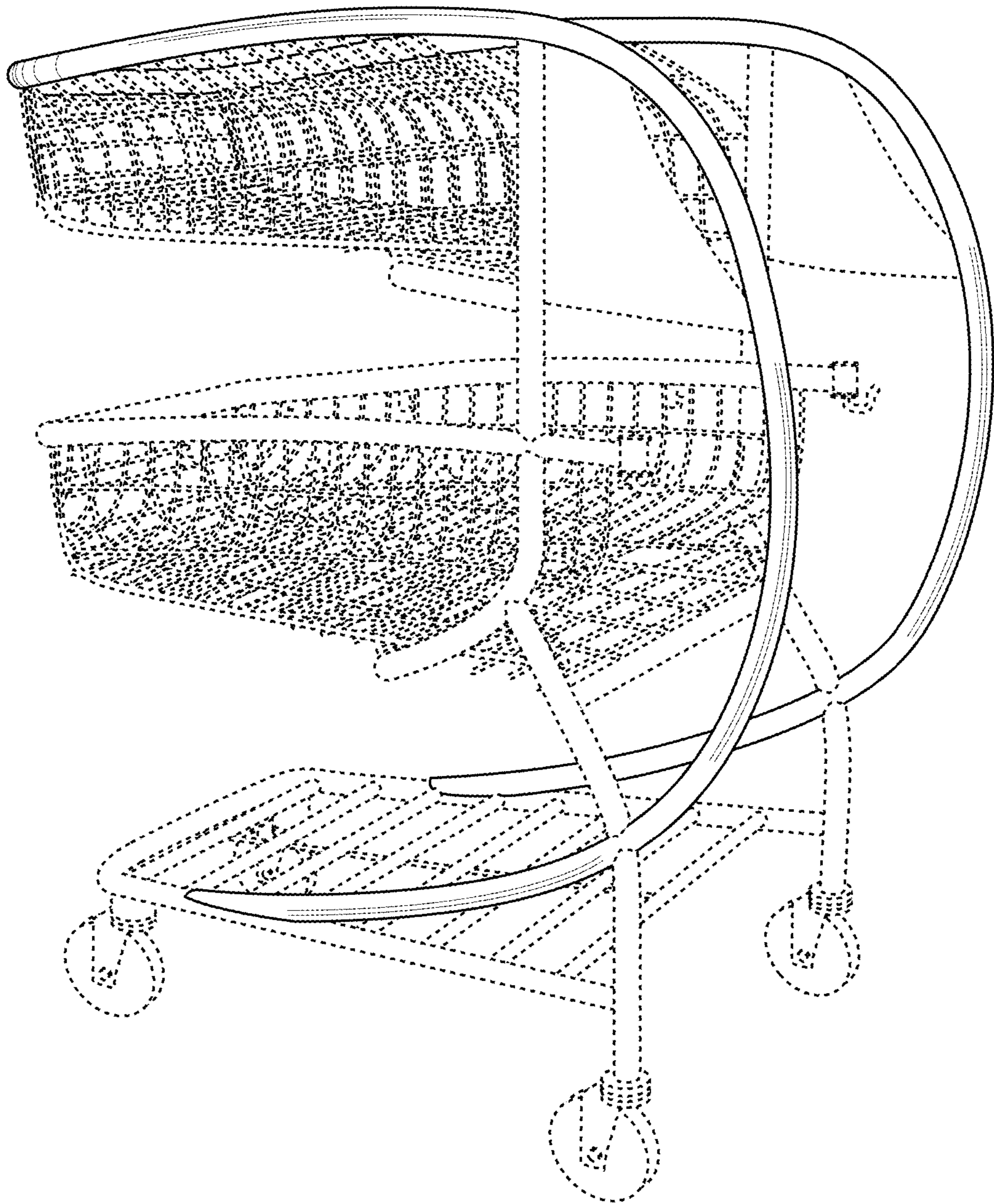


FIG. 7

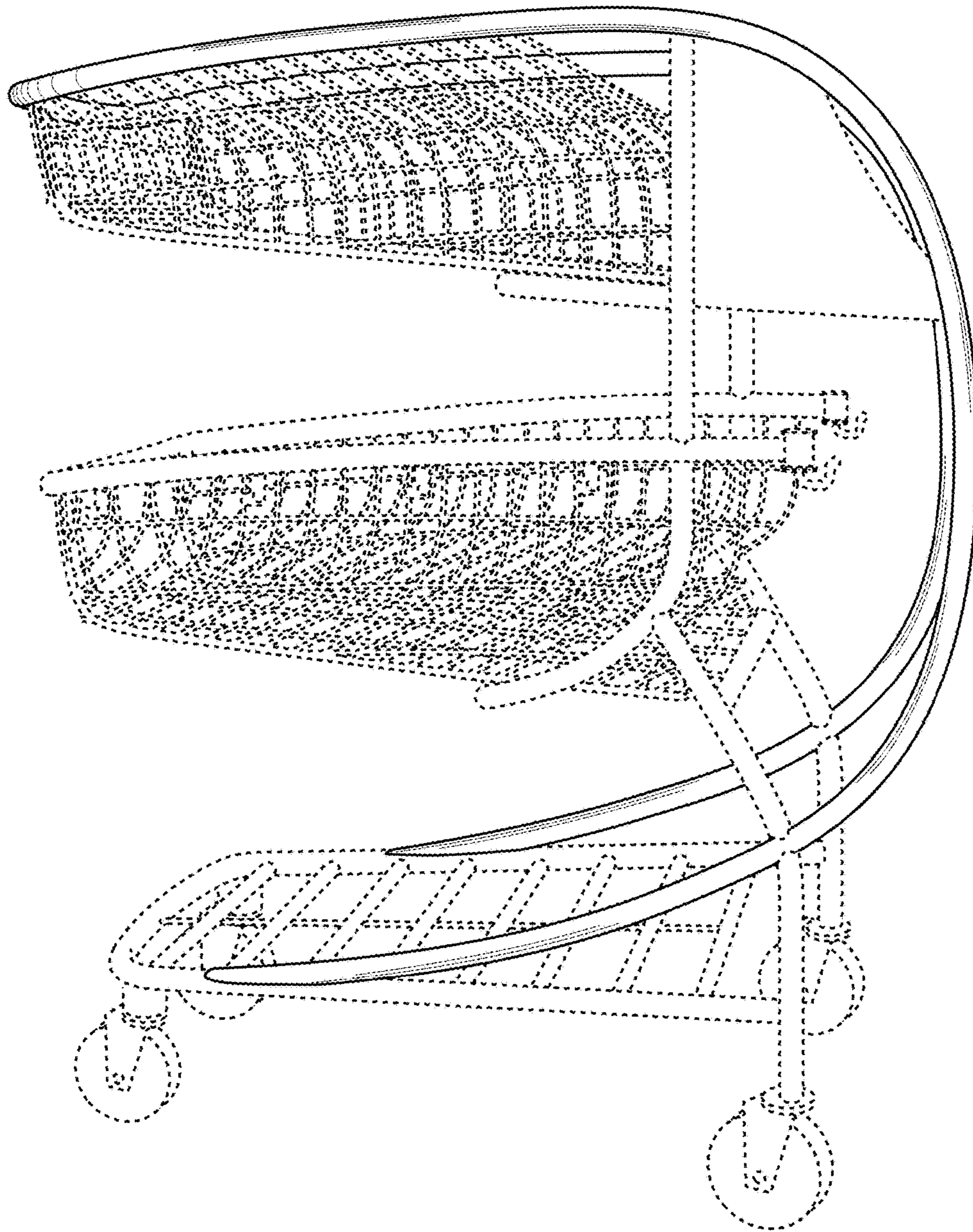


FIG. 8

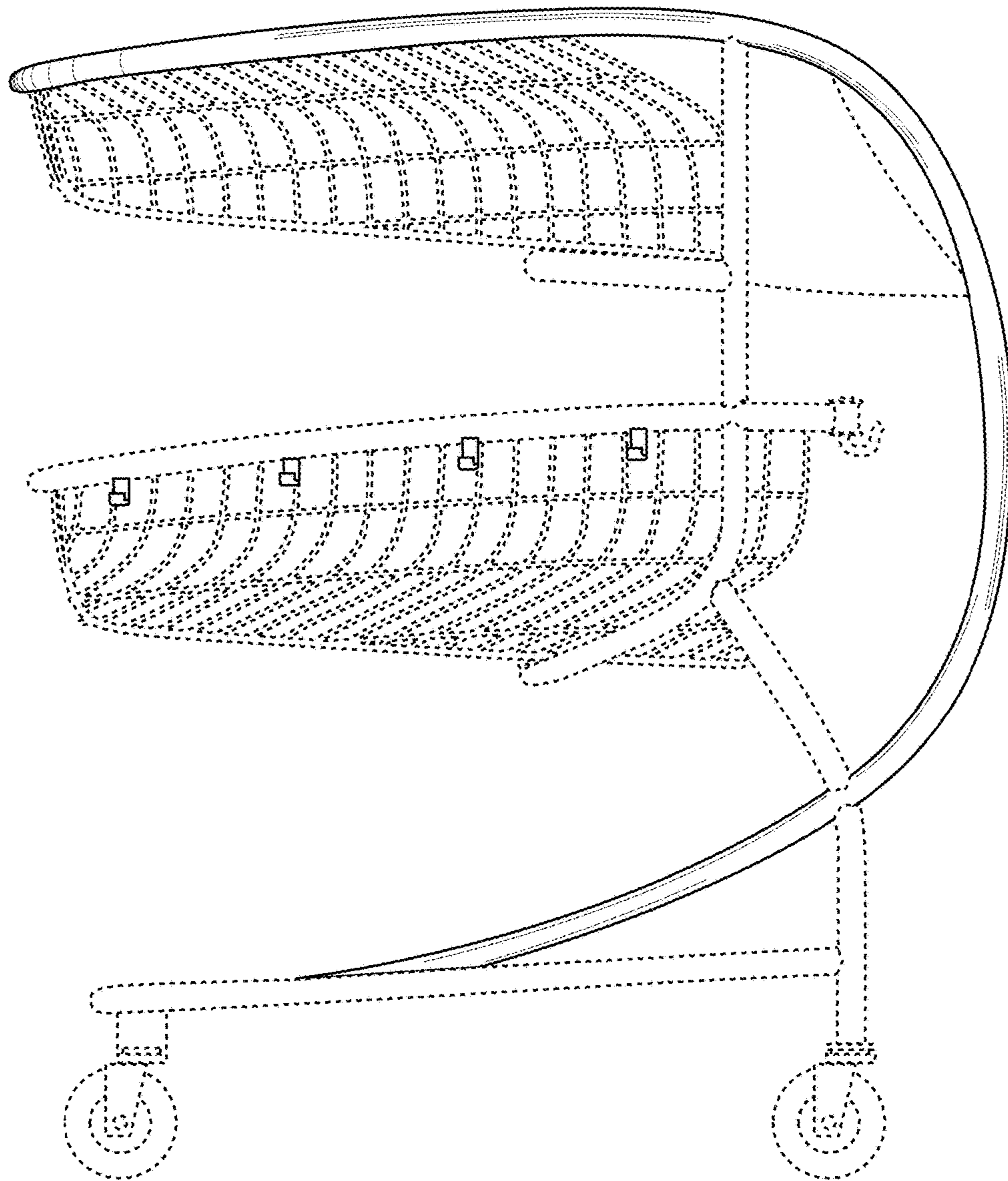


FIG. 9

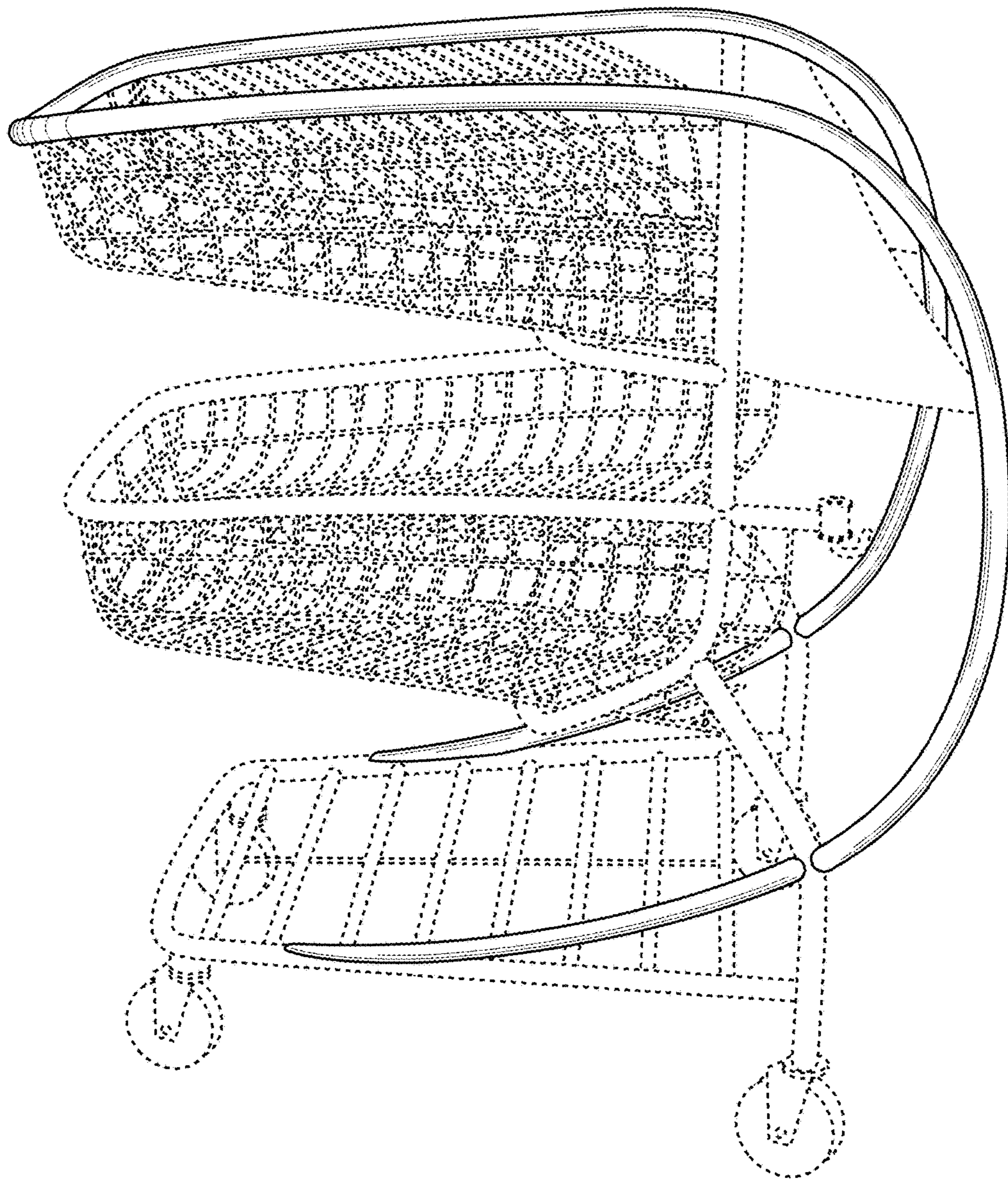


FIG. 10

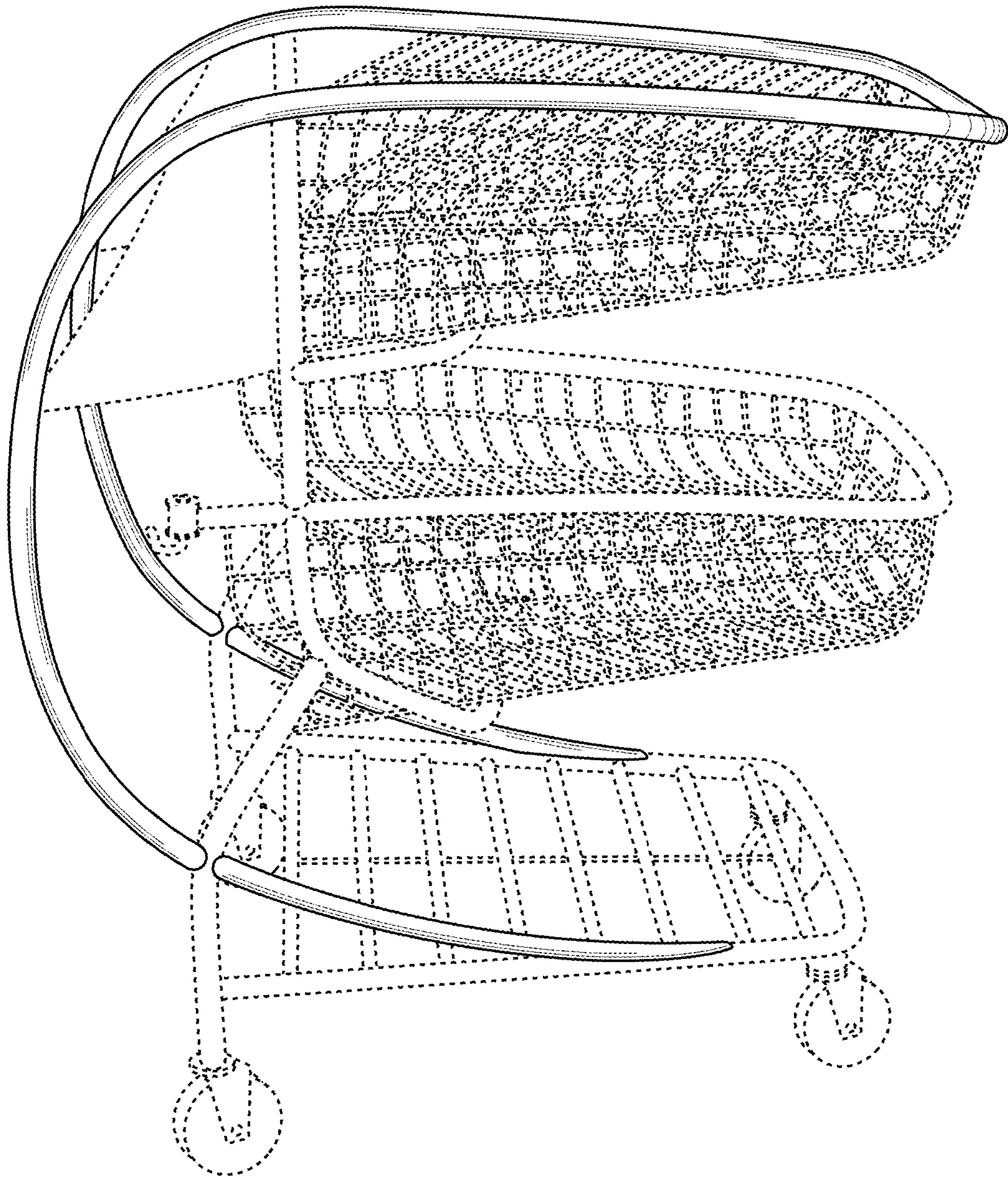


FIG. 11

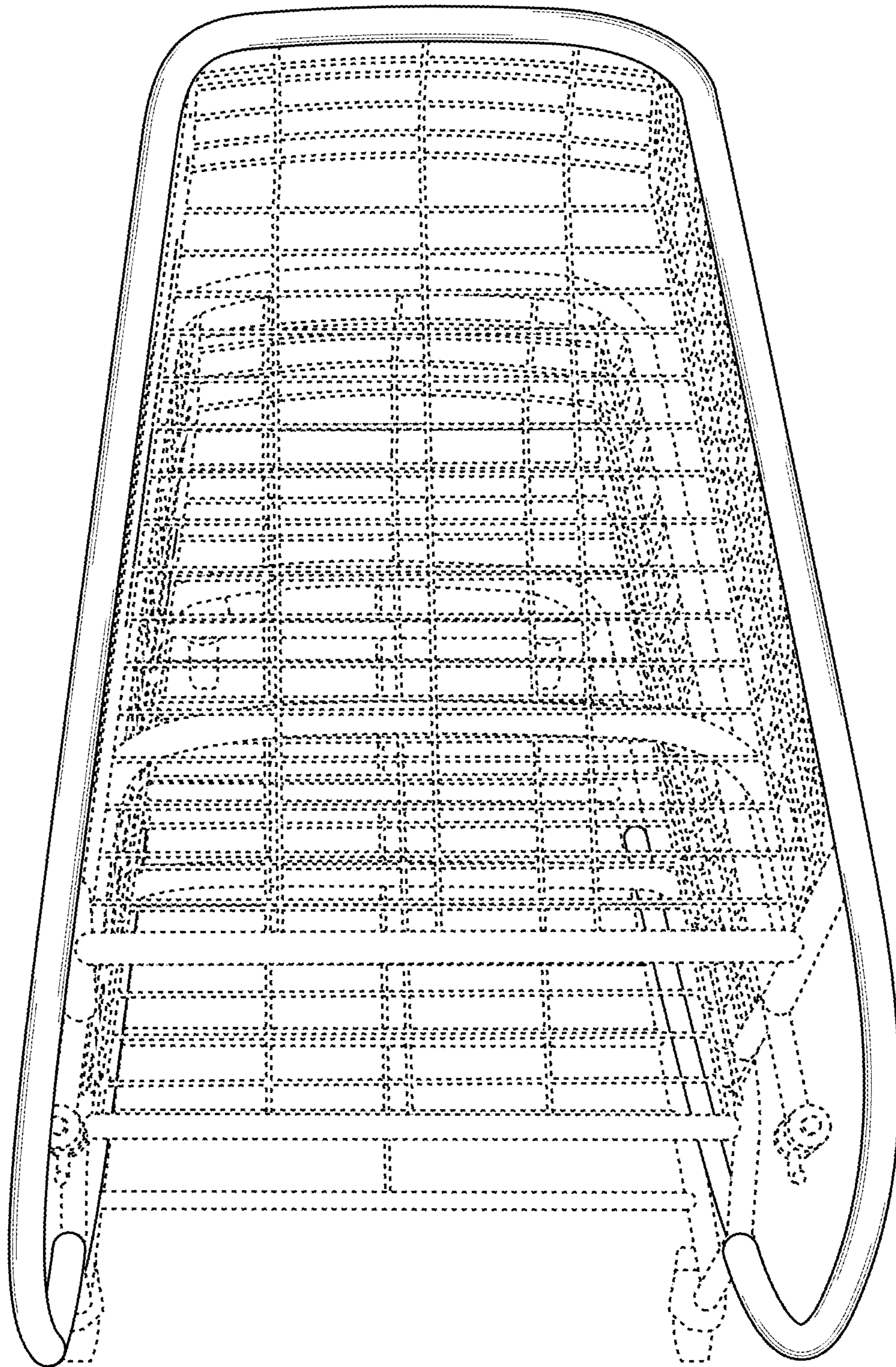


FIG. 12