



US00D802868S

(12) **United States Design Patent**
Sherman et al.

(10) **Patent No.:** **US D802,868 S**

(45) **Date of Patent:** **** Nov. 14, 2017**

(54) **CART**

(71) Applicant: **ZIBRA, LLC**, Mooresville, NC (US)

(72) Inventors: **Michael Milton Sherman**, Mooresville, NC (US); **William Lane Ball**, Statesville, NC (US); **Brent Mitchell Beggs**, North Richland Hills, TX (US)

(73) Assignee: **ZIBRA, LLC**, Mooresville, NC (US)

(**) Term: **15 Years**

(21) Appl. No.: **29/550,896**

(22) Filed: **Jan. 7, 2016**

(51) **LOC (10) Cl.** **12-02**

(52) **U.S. Cl.**
USPC **D34/27**

(58) **Field of Classification Search**
USPC D34/12-27; 280/33.991-997, 47.17, 280/47.19, 47.24, 47.26, 47.29, 47.35, 280/47.38, 79.11, 79.2, 79.3; D6/675.2, D6/675.5, 676.2, 677.2, 677.5, 678.4, D6/680.3, 681
CPC B62B 3/14; B62B 3/144; B62B 3/1496; B62B 3/1404; B62B 2501/065; B62B 5/06; B62B 5/069; B62B 5/0423
See application file for complete search history.

(56) **References Cited**

U.S. PATENT DOCUMENTS

| | | | |
|-----------|---|---------|-------------|
| 2,479,530 | A | 8/1949 | Watson |
| D177,906 | S | 6/1956 | Duchin |
| D199,448 | S | 10/1964 | Corbett |
| 4,116,456 | A | 9/1978 | Stover |
| D303,308 | S | 9/1989 | Meitl |
| D331,135 | S | 11/1992 | Lewandowski |
| 5,427,394 | A | 6/1995 | Lauto |
| 5,435,582 | A | 7/1995 | Davidson |
| 5,848,797 | A | 12/1998 | Paez |

(Continued)

OTHER PUBLICATIONS

Applicant's copending U.S. Appl. No. 29/550,894.

(Continued)

Primary Examiner — Cynthia Ramirez

(74) *Attorney, Agent, or Firm* — Tillman Wright, PLLC; Chad D. Tillman

(57) **CLAIM**

The ornamental design for a cart, as shown and described.

DESCRIPTION

FIG. 1 is a plan view of a right side of a cart showing our design.

FIG. 2 is a perspective view of the right side of the cart of FIG. 1.

FIG. 3 is another perspective view of the right side of the cart of FIG. 1 following rotation of the cart from the view of FIG. 2 in a counterclockwise direction.

FIG. 4 is a perspective view of the back of the cart of FIG. 1 following continued rotation of the cart from the view of FIG. 3.

FIG. 5 is a perspective view of the left side of the cart of FIG. 1 following continued rotation of the cart from the view of FIG. 4.

FIG. 6 is another perspective view of the left side of the cart of FIG. 1 following continued rotation of the cart from the view of FIG. 5.

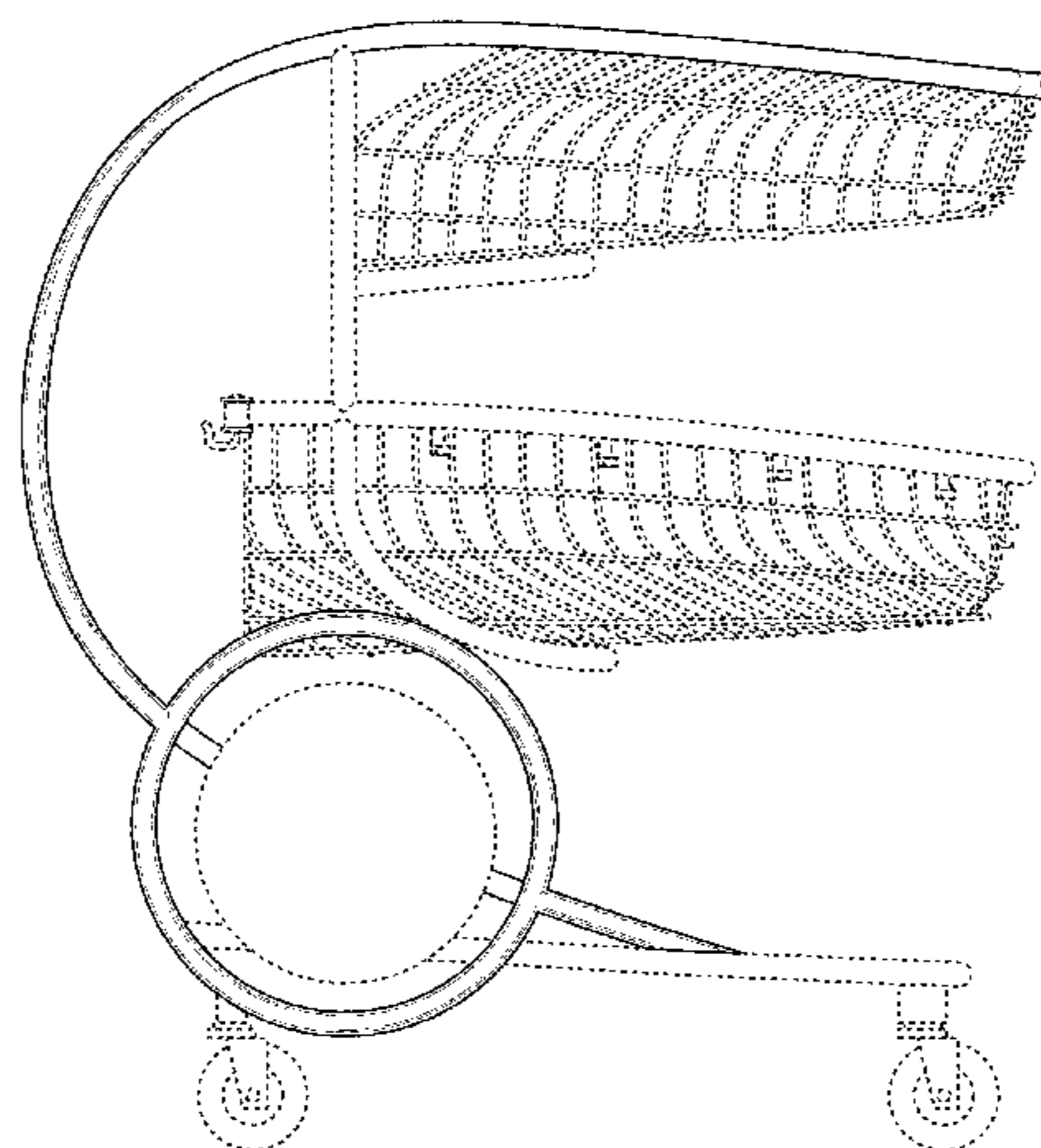
FIG. 7 is an elevational view of the left side of the cart of FIG. 1.

FIG. 8 is another perspective view of the left side of the cart of FIG. 1; and,

FIG. 9 is another perspective view of the right side of the cart of FIG. 1.

The broken lines are included for the purpose of illustrating portions of the cart and form no part of the claimed design.

1 Claim, 9 Drawing Sheets



(56)

References Cited

U.S. PATENT DOCUMENTS

| | | | | |
|--------------|------|---------|----------------|------------|
| 5,865,449 | A | 2/1999 | Castaneda | |
| 5,915,631 | A | 6/1999 | Laxton et al. | |
| 6,126,181 | A | 10/2000 | Ondrasik | |
| D472,026 | S | 3/2003 | Walter | |
| D526,107 | S | 8/2006 | Duchene | |
| 7,396,025 | B2 | 7/2008 | Ondrasik | |
| D577,172 | S * | 9/2008 | Coderre | D34/12 |
| D580,619 | S * | 11/2008 | Walter | D34/21 |
| 7,566,069 | B1 | 7/2009 | Ortega et al. | |
| D606,723 | S * | 12/2009 | Walter | D34/20 |
| D607,173 | S * | 12/2009 | Selvig | D34/21 |
| 7,681,891 | B2 | 3/2010 | Deal et al. | |
| 7,766,347 | B2 | 8/2010 | Ryan et al. | |
| D633,269 | S * | 2/2011 | Walter | D34/21 |
| 9,085,314 | B2 | 7/2015 | Selvig | |
| D742,612 | S * | 11/2015 | Walter | D34/21 |
| D749,286 | S | 2/2016 | Sherman et al. | |
| 2016/0257329 | A1 * | 9/2016 | Sherman | B62B 3/144 |

OTHER PUBLICATIONS

Applicant's copending U.S. Appl. No. 29/550,895.
 Applicant's copending U.S. Appl. No. 15/051,658.
 Applicant's copending U.S. Appl. No. 29/550,898.
 Applicant's copending U.S. Appl. No. 29/550,899.
 Applicant's copending U.S. Appl. No. 29/550,900.
 Applicant's copending U.S. Appl. No. 29/554,140.
 Applicant's copending U.S. Appl. No. 29/554,141.

* cited by examiner

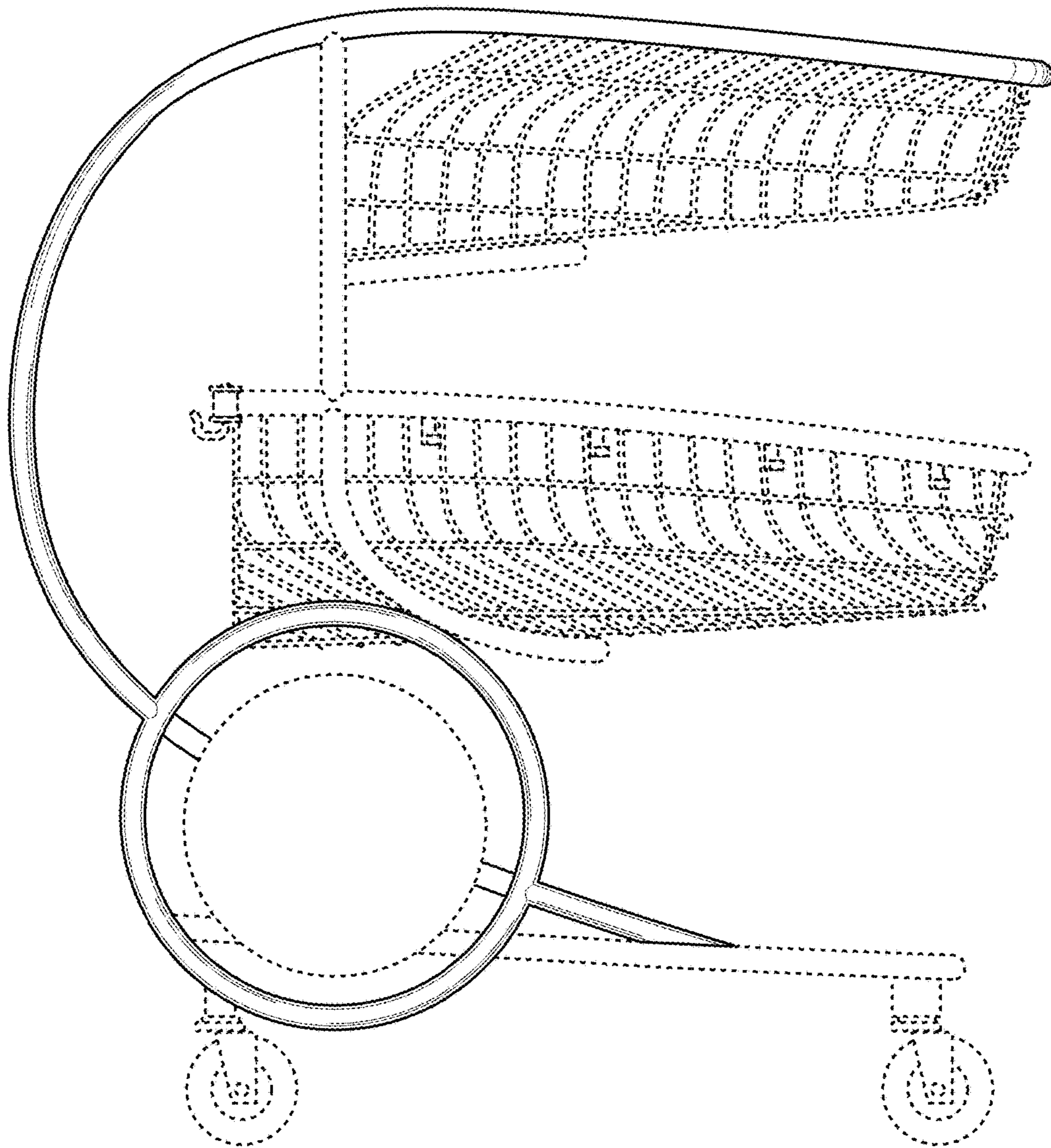


FIG. 1

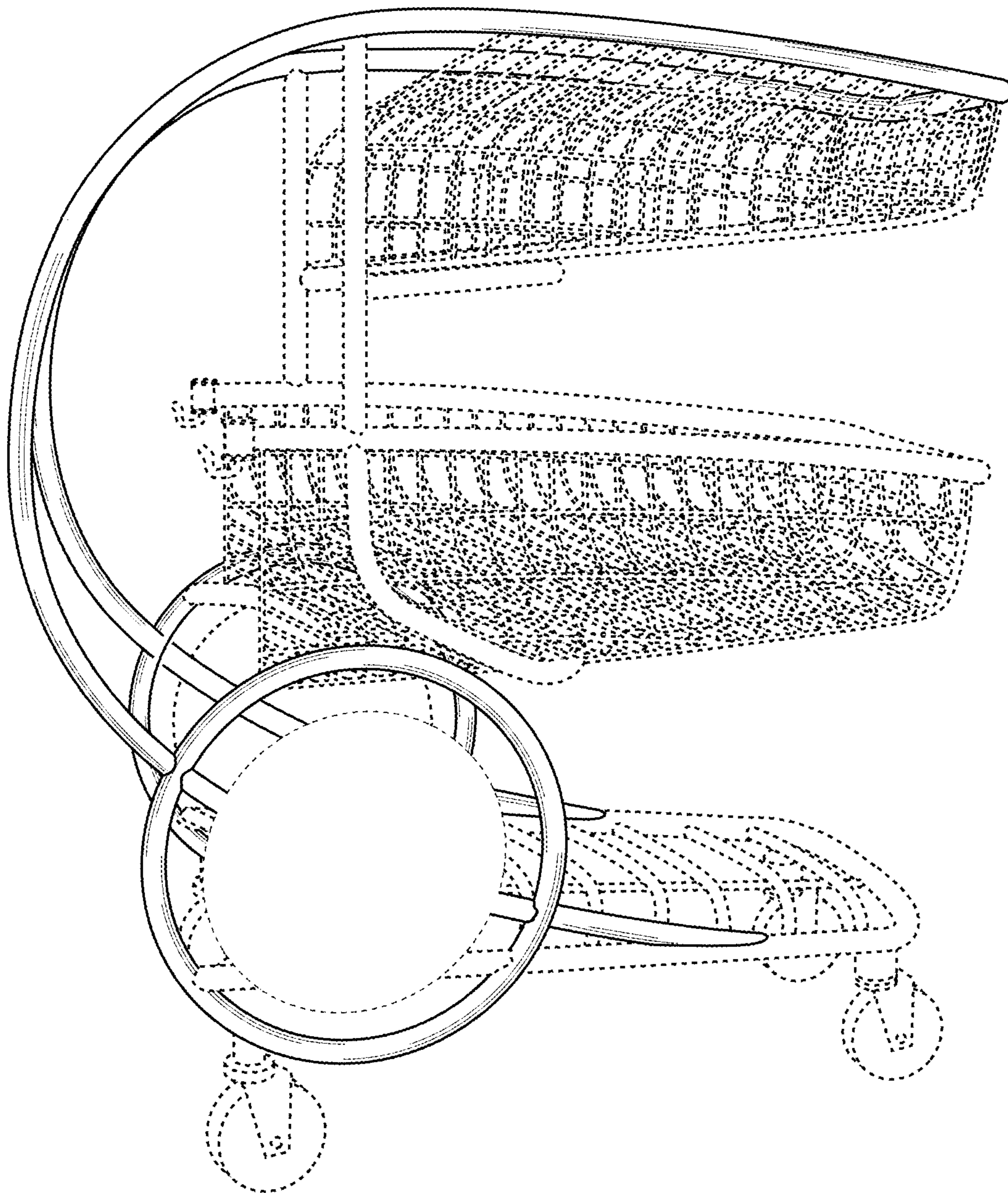


FIG. 2

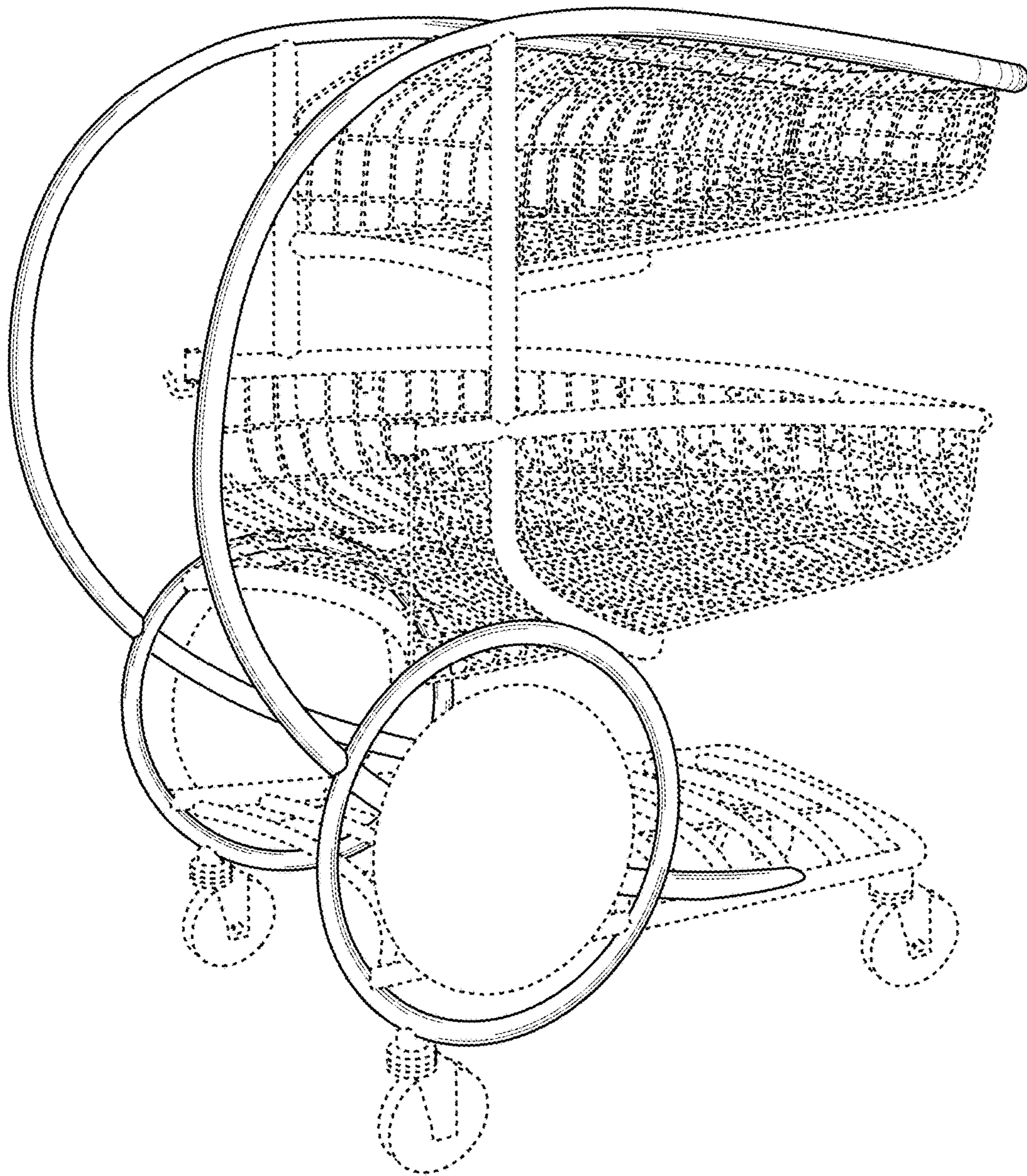


FIG. 3

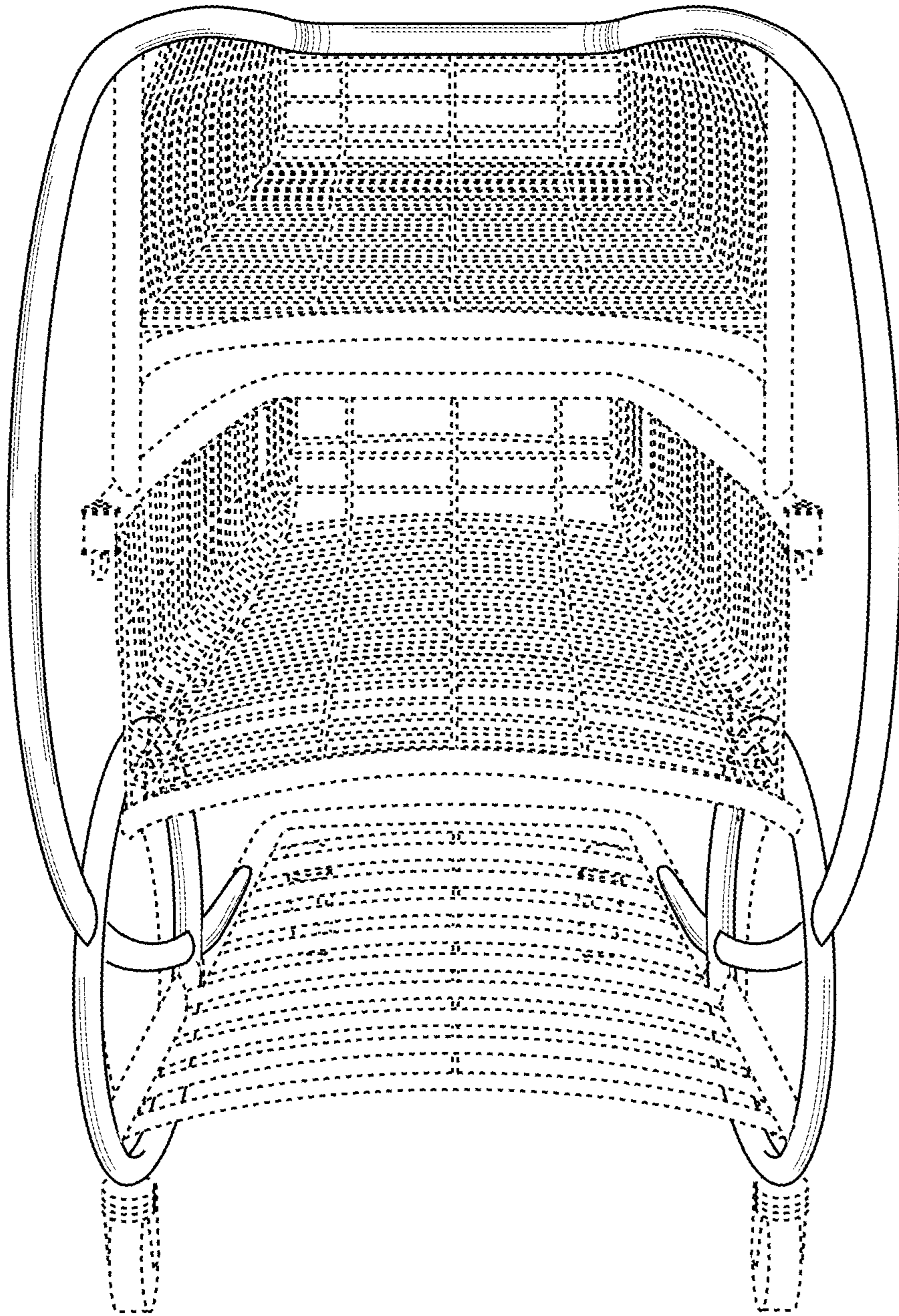


FIG. 4

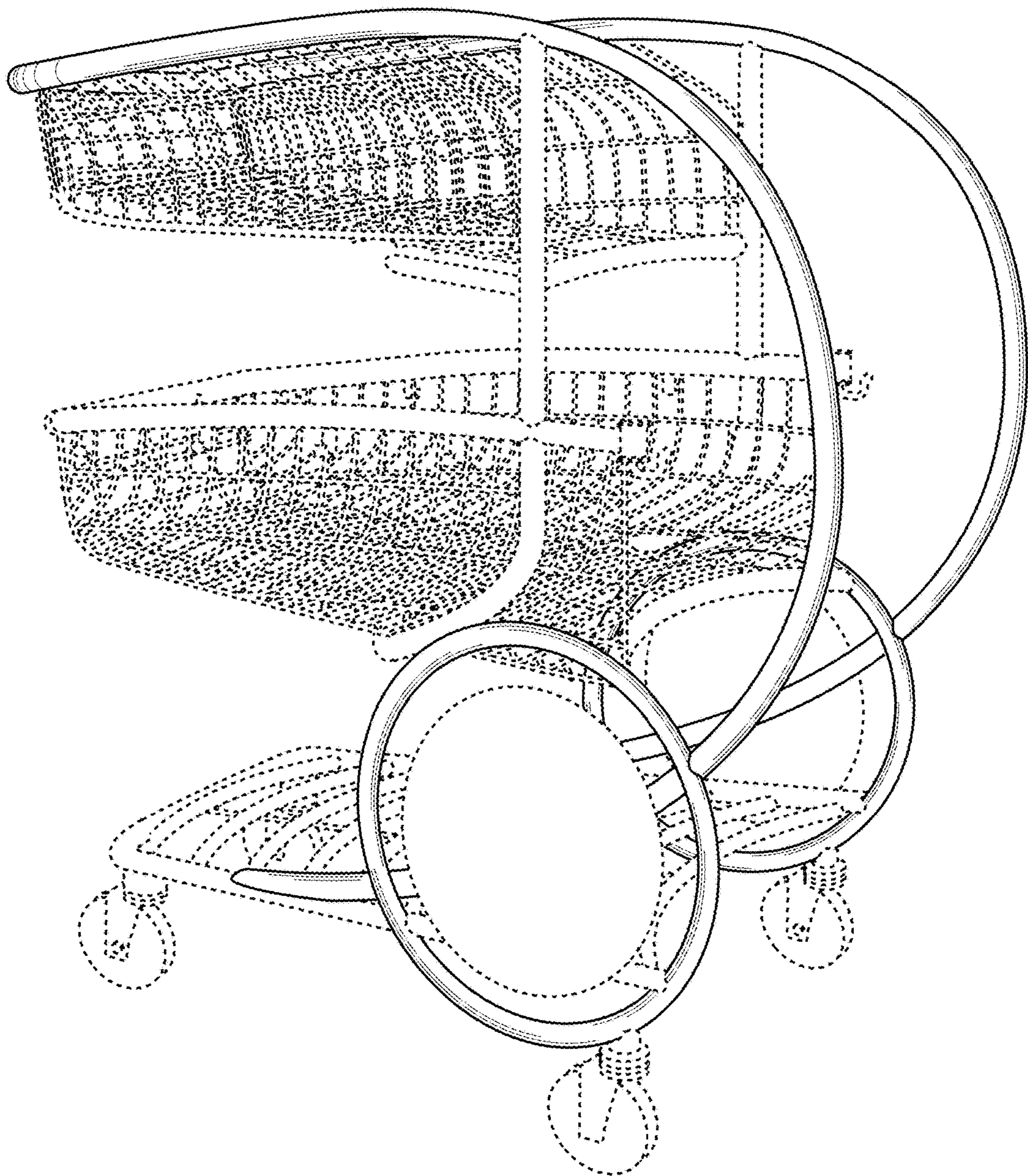


FIG. 5

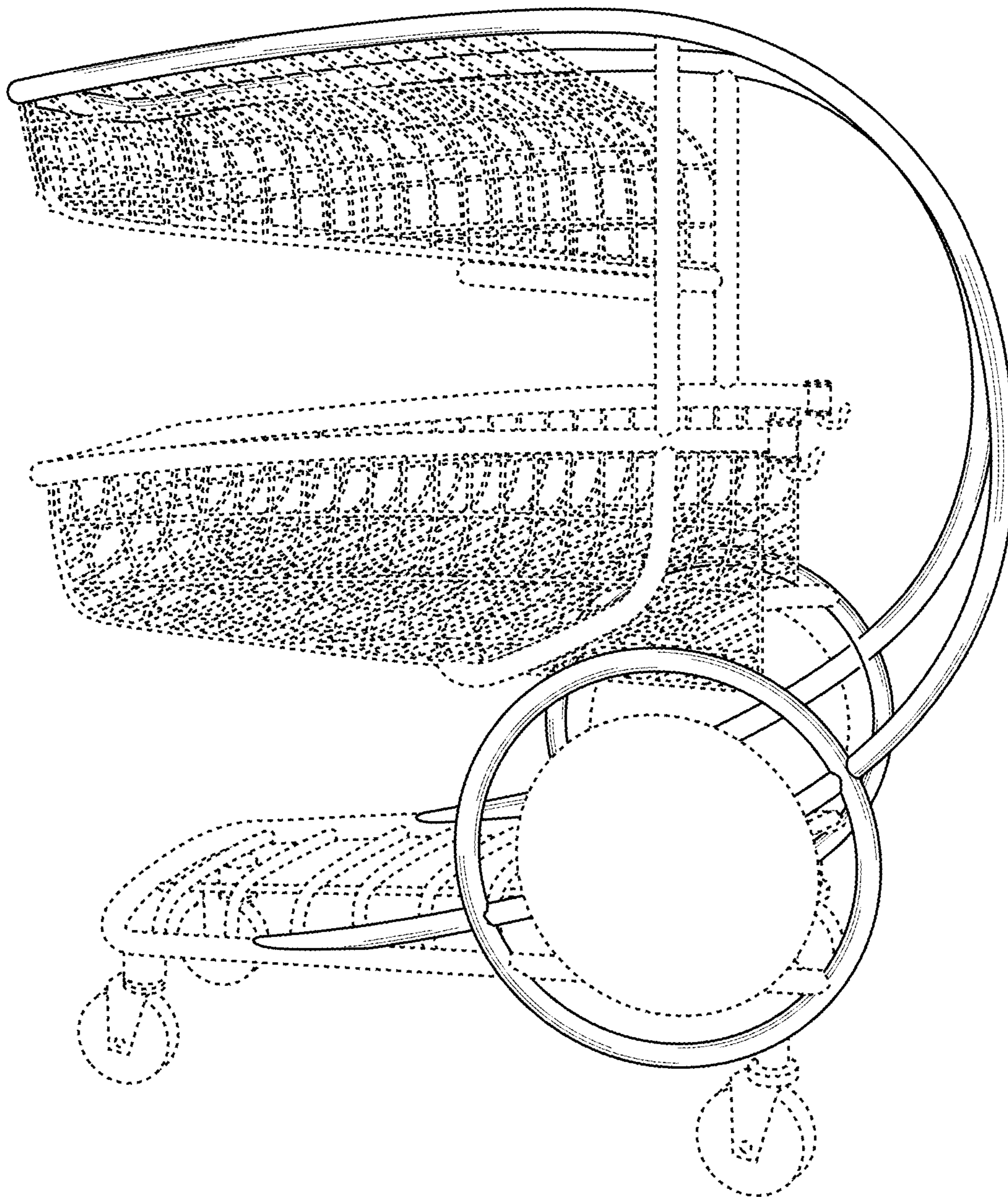


FIG. 6

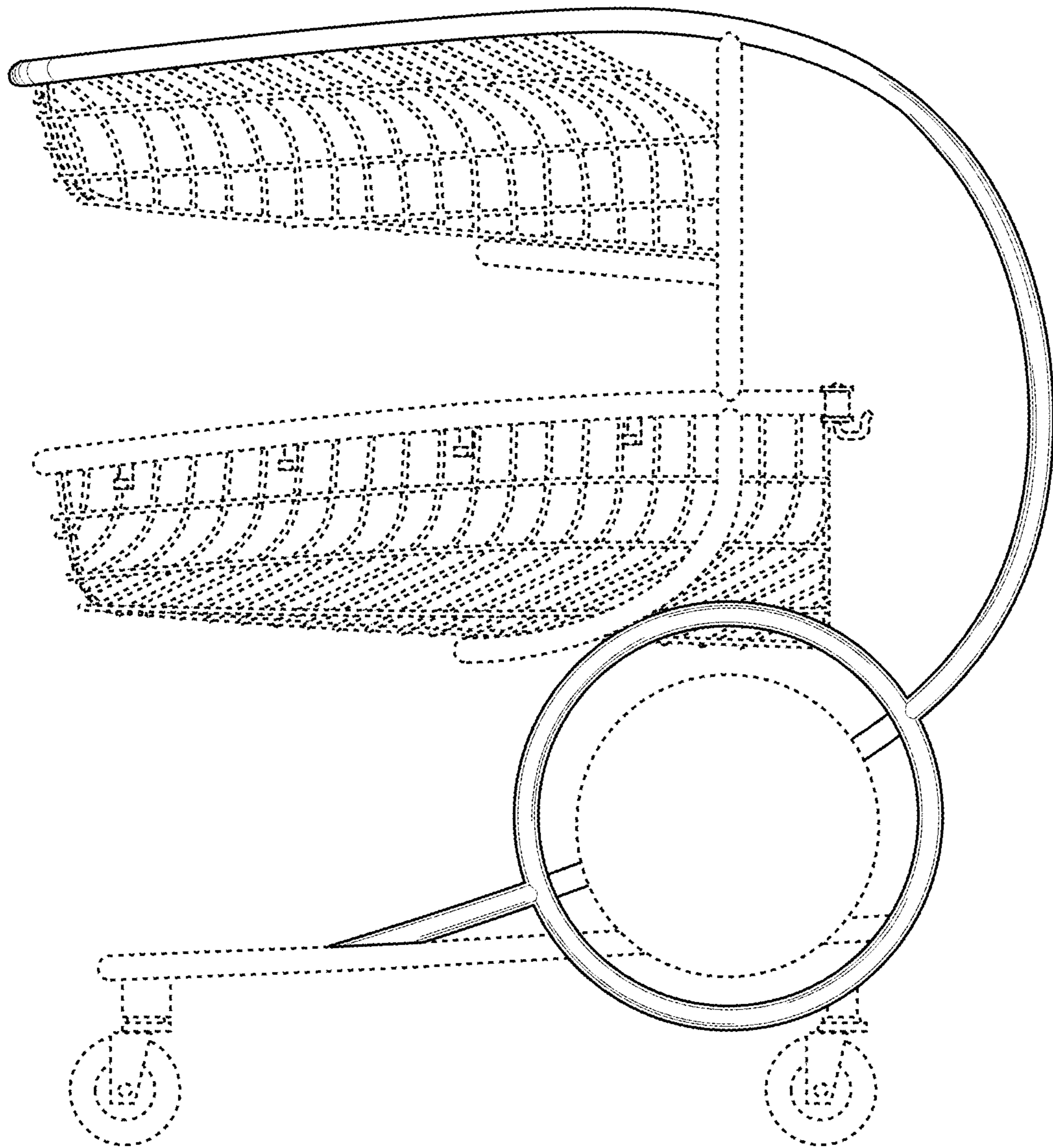


FIG. 7

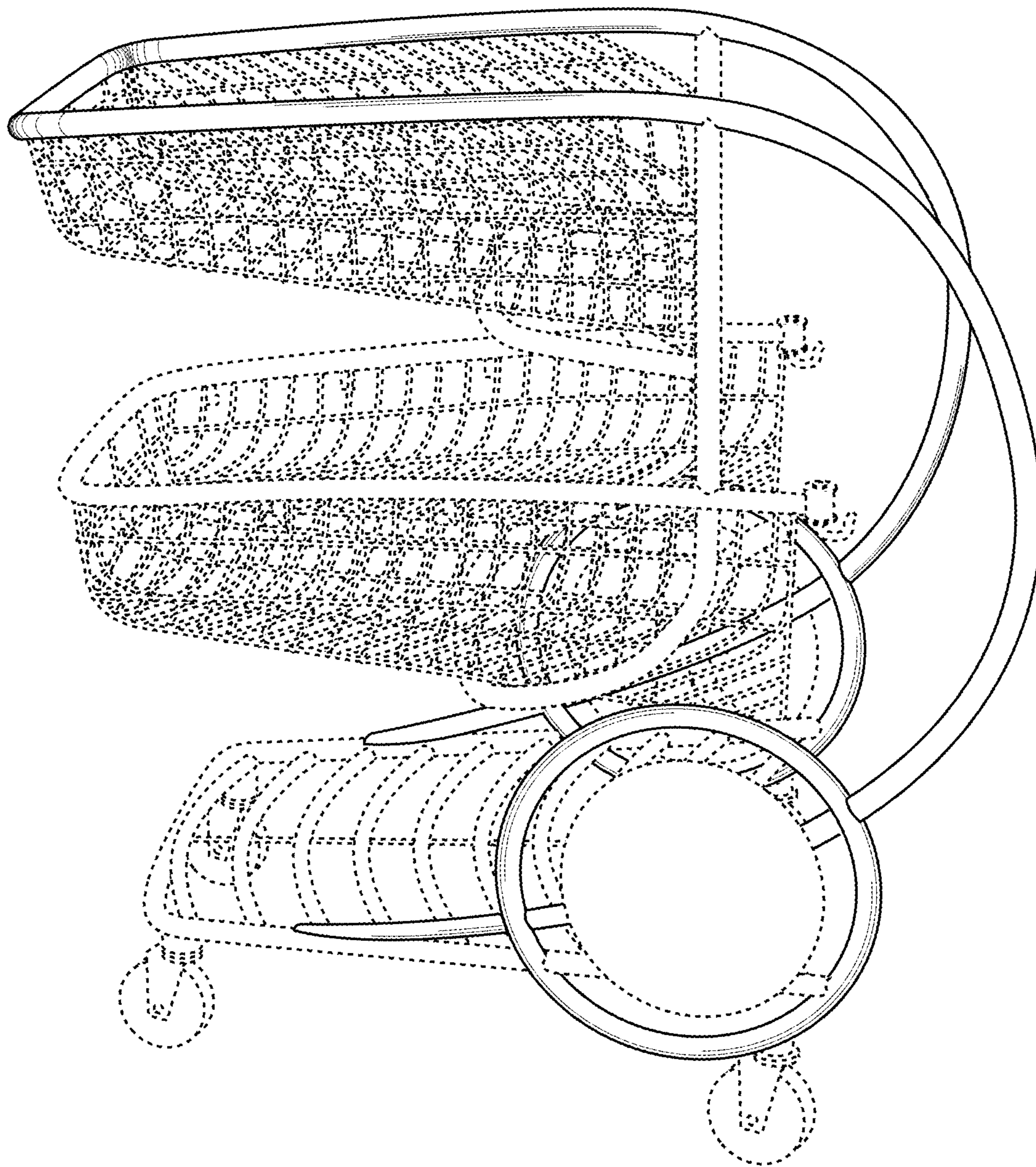


FIG. 8

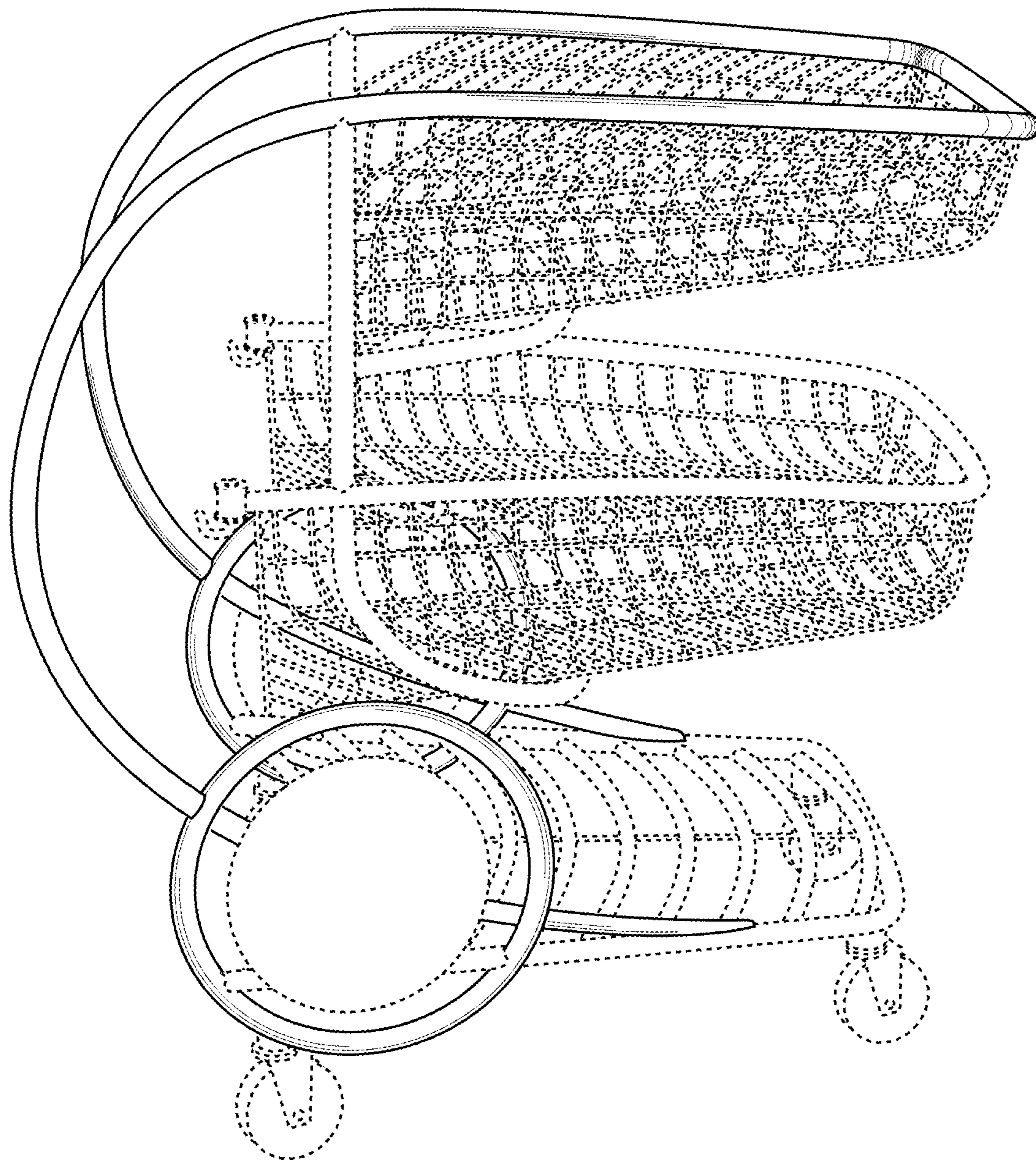


FIG. 9