



US00D802866S

(12) **United States Design Patent**
Williams et al.

(10) **Patent No.:** **US D802,866 S**

(45) **Date of Patent:** **** Nov. 14, 2017**

(54) **MOBILE WIRE SPOOL CARRIER**

(71) Applicant: **Willberk Inventions Inc.**, Surrey (CA)

(72) Inventors: **David Edward Williams**, Surrey (CA);
Guustaaf Gysbert Berkelaar, Surrey (CA)

(73) Assignee: **Willberk Inventions Inc.**, Surrey,
British Columbia (CA)

(**) Term: **15 Years**

(21) Appl. No.: **29/571,435**

(22) Filed: **Jul. 18, 2016**

(51) **LOC (10) Cl.** **12-02**

(52) **U.S. Cl.**
USPC **D34/24**

(58) **Field of Classification Search**
USPC D34/12, 16, 17, 20, 23, 24, 27; D8/349,
D8/354, 358; 280/47.19, 47.24, 47.315,
280/63; 242/557, 566, 594.3, 594.5,
242/594.6, 588, 588.1; 414/446, 608
CPC B62B 2202/025; B62B 2203/05; B65H
49/32; B65H 54/54
See application file for complete search history.

(56) **References Cited**

U.S. PATENT DOCUMENTS

D130,351 S	11/1941	Hunt	
D143,329 S	12/1945	Leonard	
D164,546 S *	9/1951	Becker	280/47.24
D183,289 S	7/1958	Ott	
D184,962 S	4/1959	Ress	
D263,210 S	3/1982	Langen et al.	
D263,691 S *	4/1982	Streiff	D34/24
4,358,123 A	11/1982	Richards	
4,583,904 A	4/1986	Maxwell	
4,705,283 A *	11/1987	Kleisath	B65H 49/32 242/557
D295,100 S	4/1988	Talton et al.	

D330,960 S *	11/1992	Roberson	D34/24
D342,361 S	12/1993	Williams et al.	
5,354,089 A *	10/1994	Sohrt	B62B 1/20 D34/24
5,509,671 A *	4/1996	Campbell	B62B 1/264 D34/24

(Continued)

Primary Examiner — Cynthia Ramirez

Assistant Examiner — Michael Maharajh

(74) *Attorney, Agent, or Firm* — Todd A. Rattray; Oyen
Wiggs Green & Mutala LLP

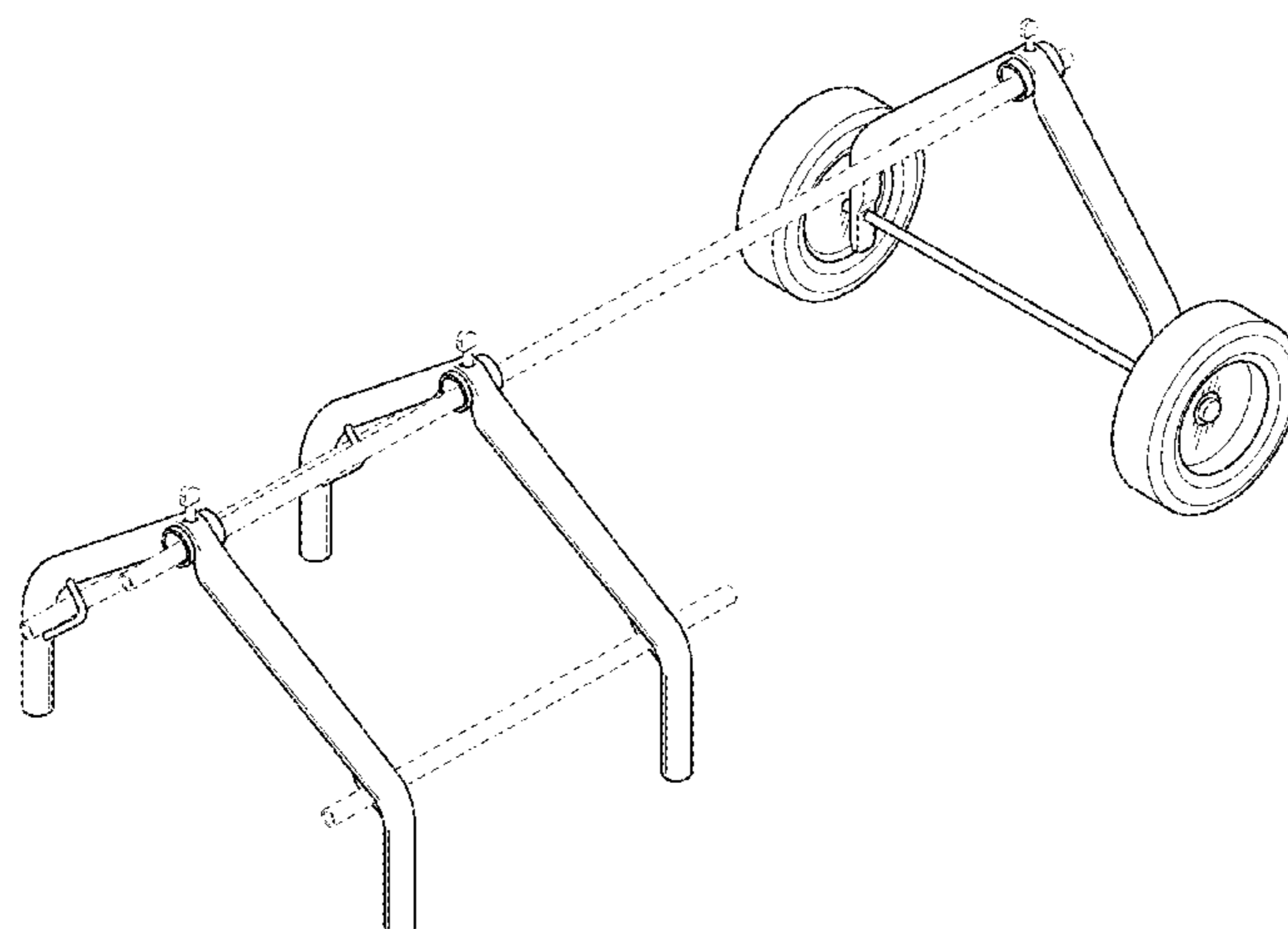
(57) **CLAIM**

The ornamental design for a mobile wire spool carrier, as shown and described.

DESCRIPTION

FIG. 1 is a front right perspective view of the mobile wire spool carrier showing our new design; FIG. 2 is a front elevational view of the mobile wire spool carrier; FIG. 3 is a rear elevational view of the mobile wire spool carrier; FIG. 4 is a right side view of the mobile wire spool carrier; FIG. 5 is a left side view of the mobile wire spool carrier; FIG. 6 is a top plan view of the mobile wire spool carrier; FIG. 7 is a bottom plan view of the mobile wire spool carrier; and, FIG. 8 is another front right perspective view of the mobile wire spool carrier. The broken lines shown in FIGS. 1 through 8 are for the purpose of illustrating portions of the mobile wire spool carrier and form no part of the claimed design. The spools shown in broken lines in FIG. 8 are for the purpose of showing environmental structure and form no part of the claimed design.

1 Claim, 5 Drawing Sheets



(56)

References Cited

U.S. PATENT DOCUMENTS

D424,774 S *	5/2000	Zarley	D34/24
7,784,729 B1 *	8/2010	Hope	B65H 49/32 242/557
8,459,585 B1 *	6/2013	Elder	B65H 49/32 242/557
2003/0080236 A1 *	5/2003	Armstrong	B65H 16/005 242/557
2007/0120003 A1 *	5/2007	Grant	B65H 49/24 242/557
2017/0144685 A1 *	5/2017	McVay	B62B 5/049

* cited by examiner

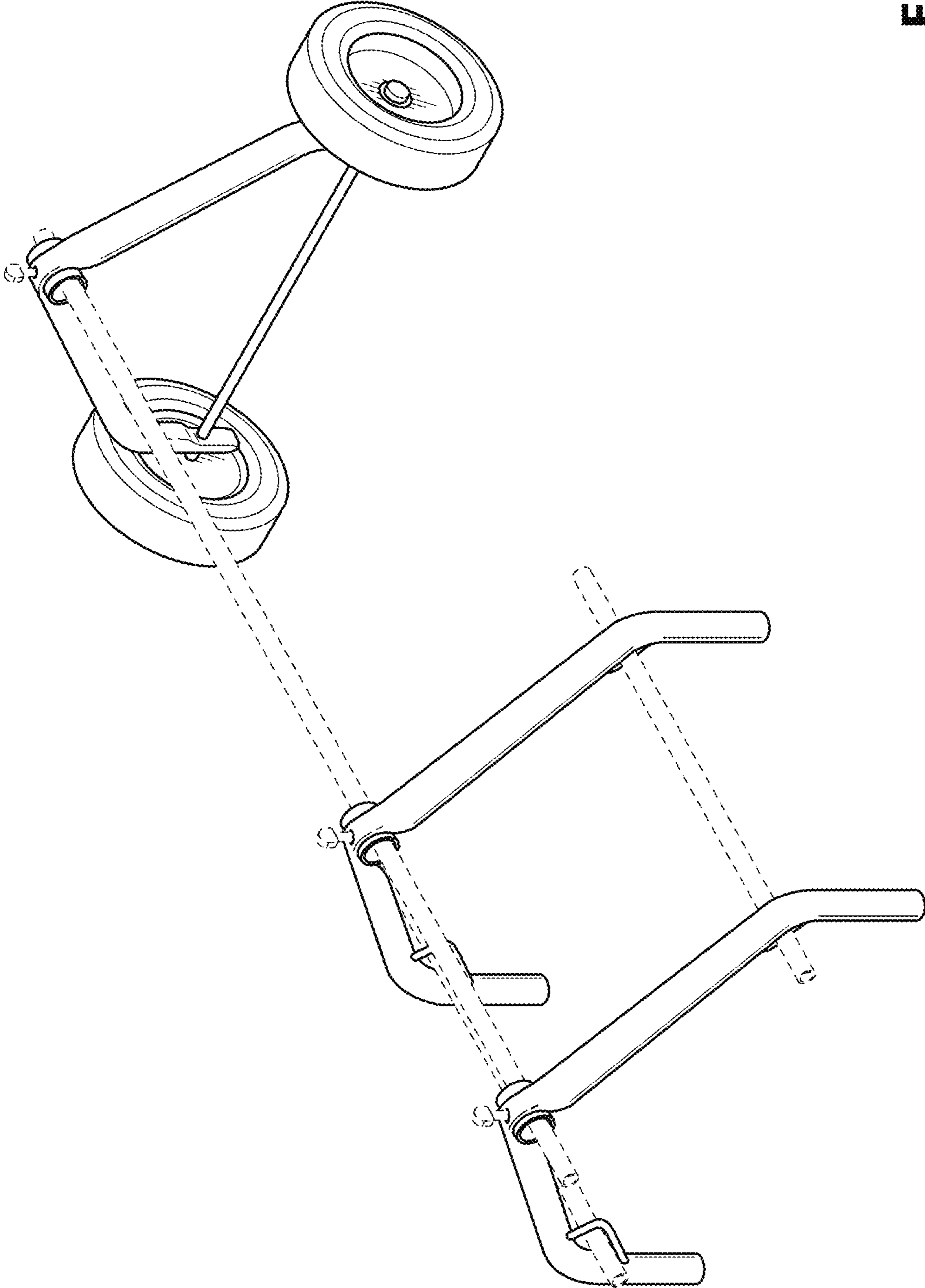


Fig. 1

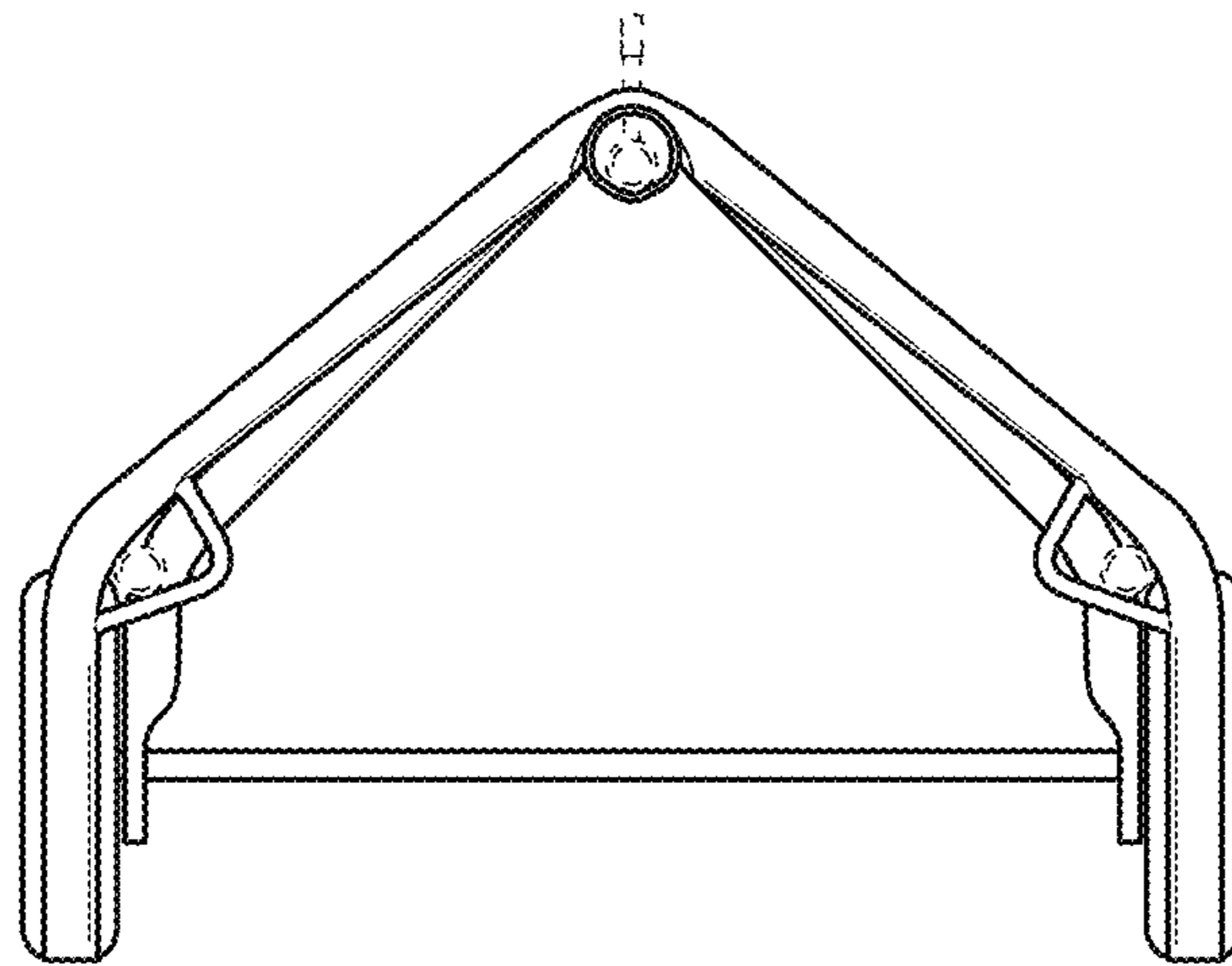


FIG. 2

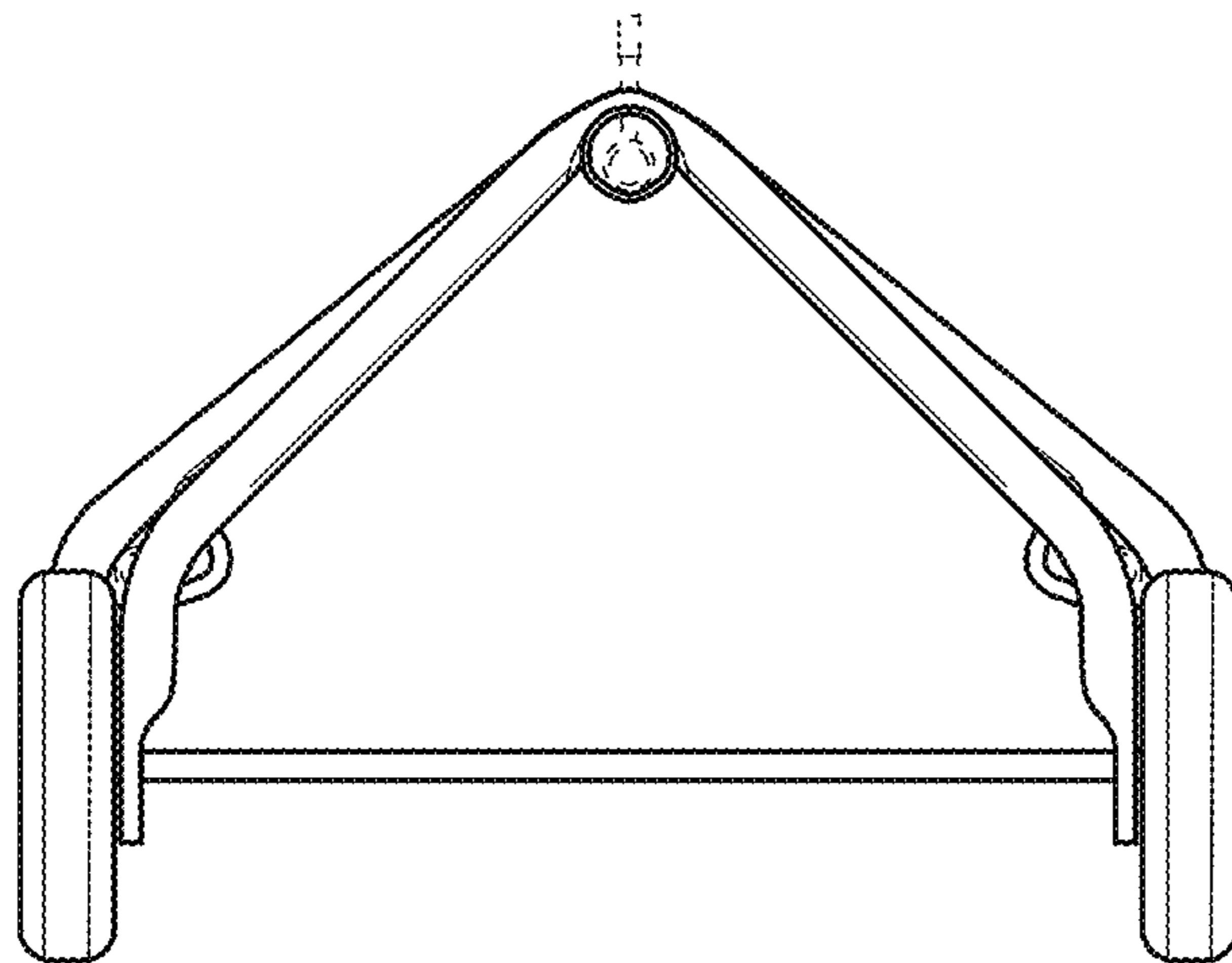


FIG. 3

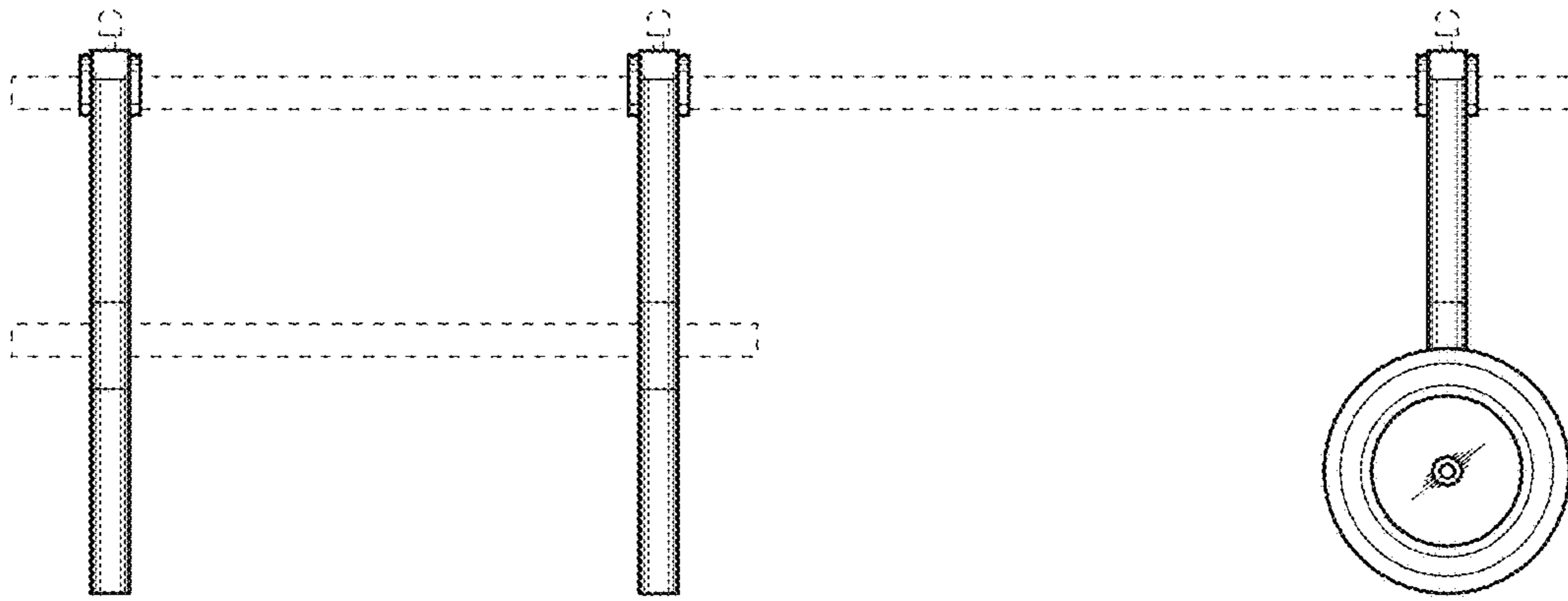


FIG. 4

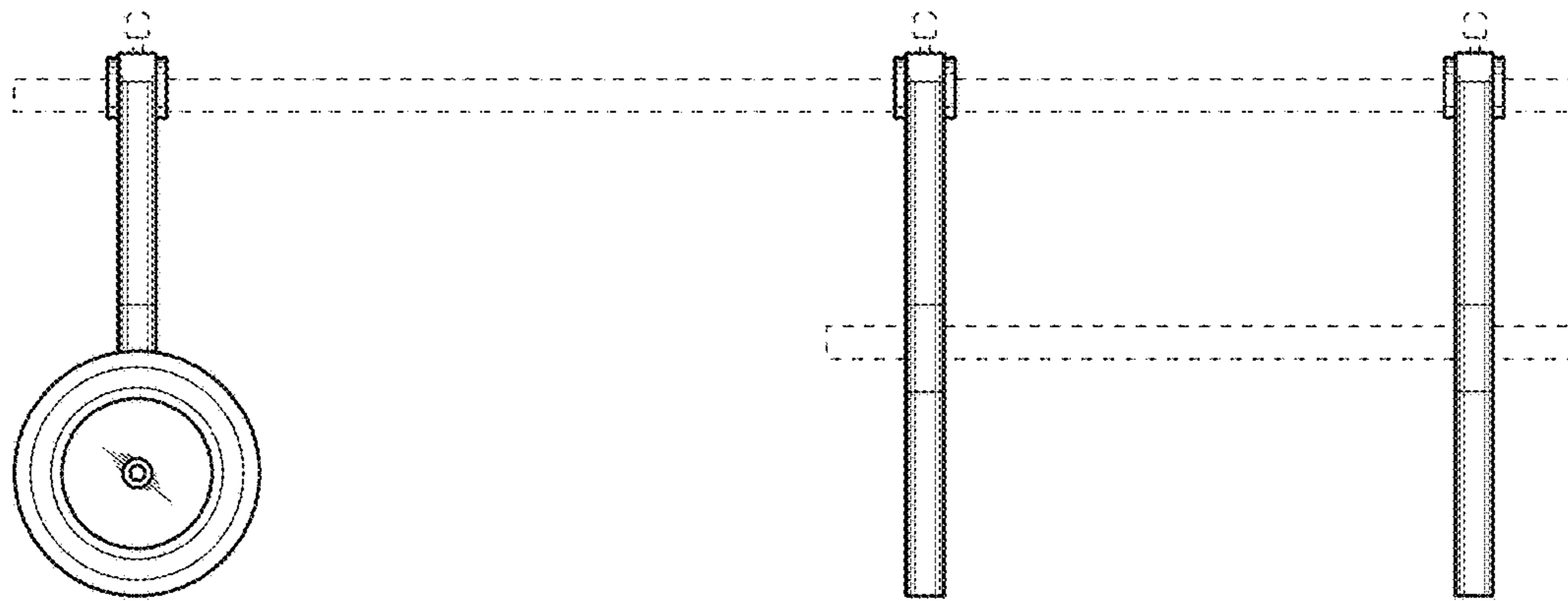


FIG. 5

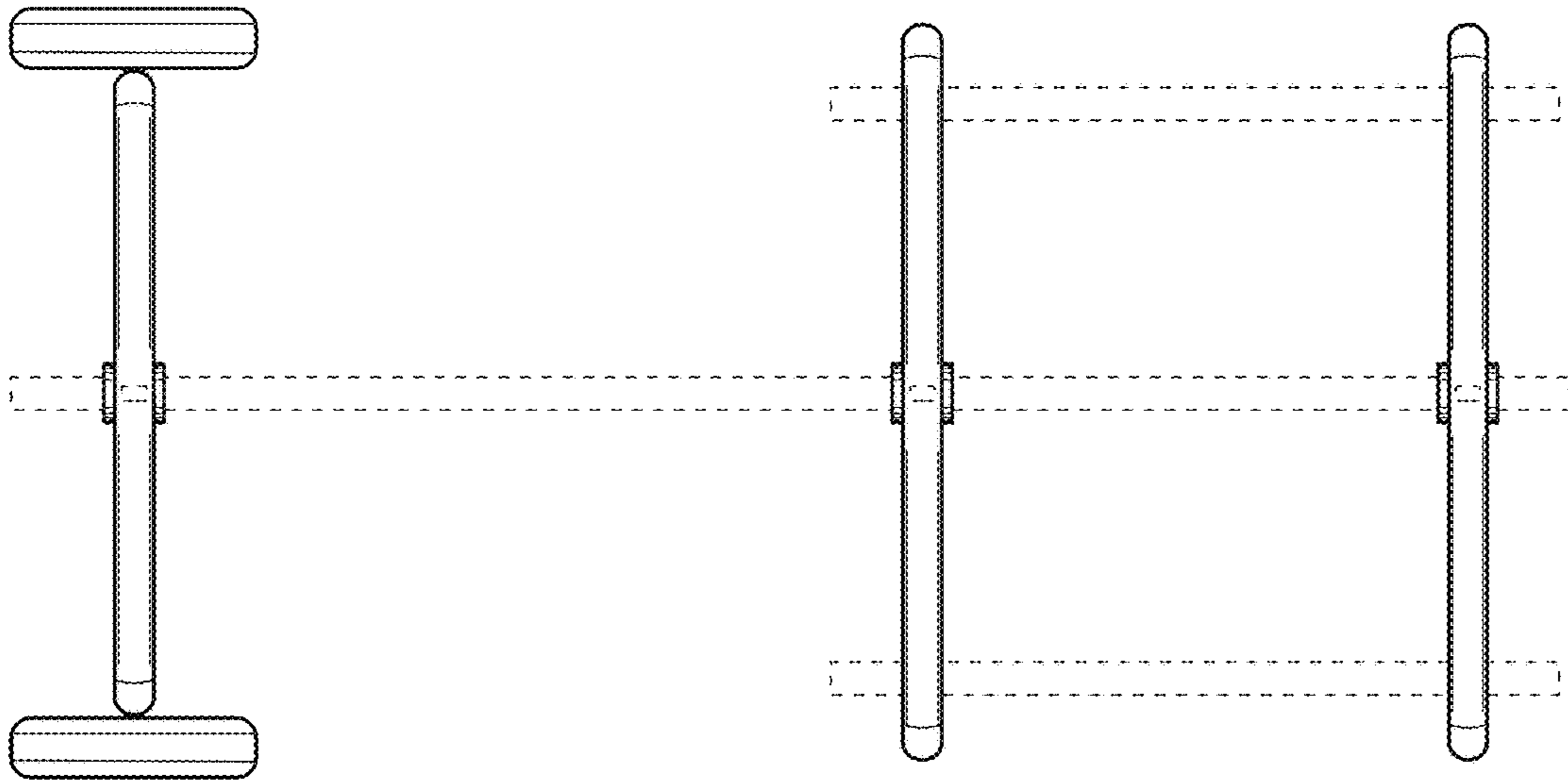


FIG. 6

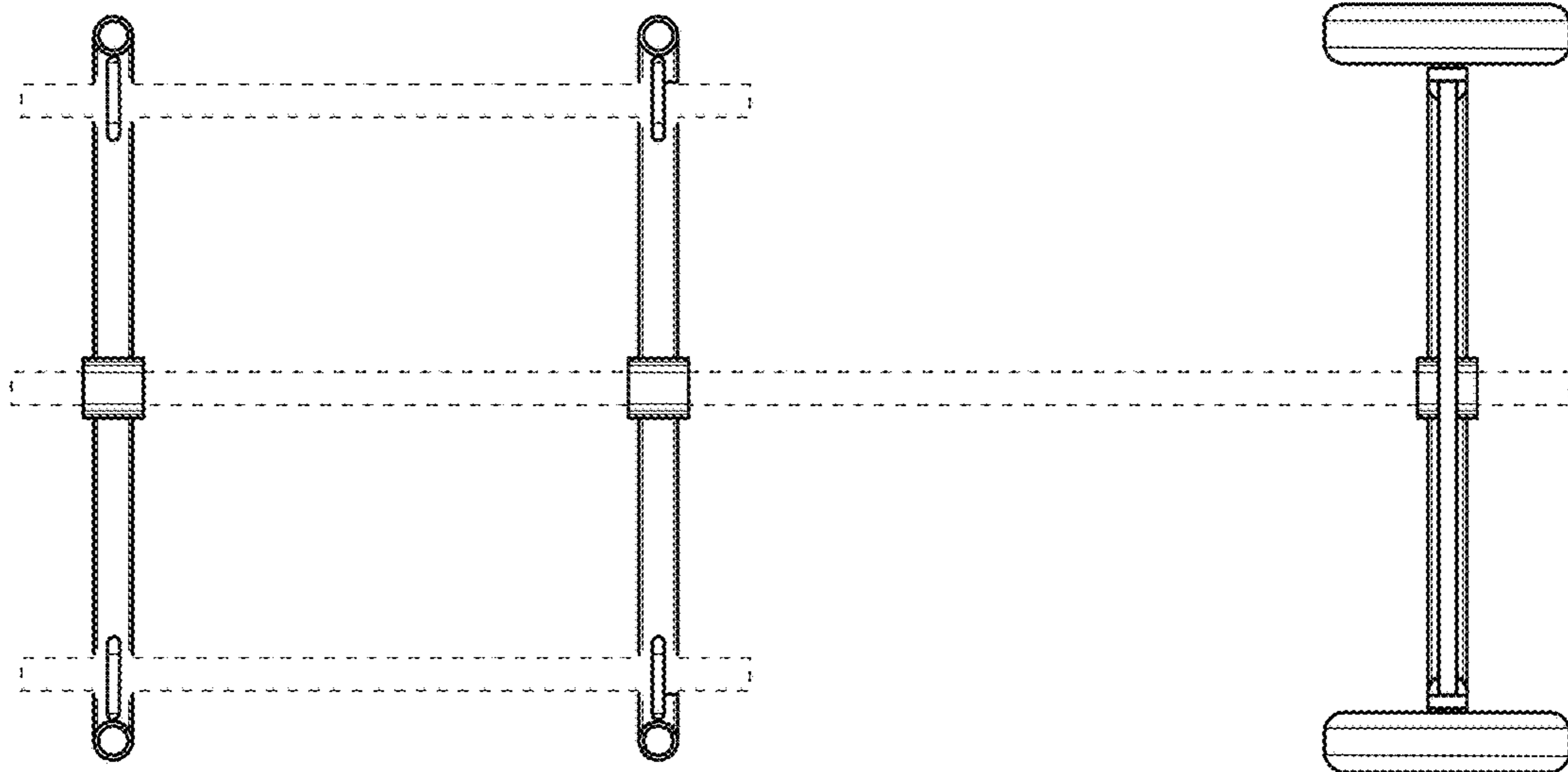


FIG. 7

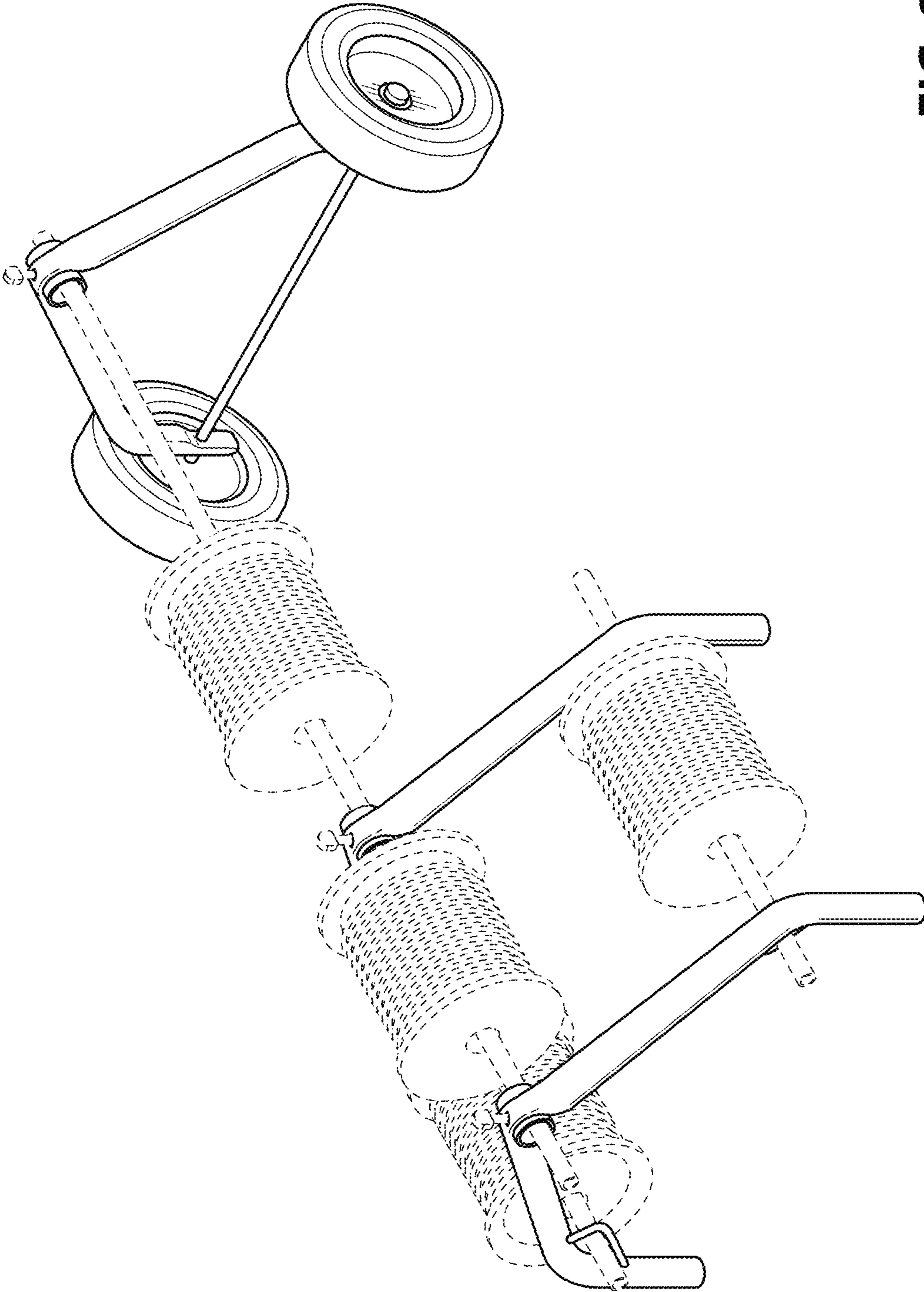


FIG. 8