



US00D802865S

(12) **United States Design Patent** (10) **Patent No.:** **US D802,865 S**
Dervin et al. (45) **Date of Patent:** **** Nov. 14, 2017**

(54) **TRASH RECEPTACLE LOADING RAMP**

(71) Applicant: **VALENCIA PIPE COMPANY, INC.**,
Valencia, CA (US)

(72) Inventors: **Andrew Dervin**, Valencia, CA (US);
Joe Dvoracek, Sunland, CA (US);
Kenrick James Durapau, Austin, TX
(US)

(73) Assignee: **Valencia Pipe Company, Inc.**,
Valencia, CA (US)

(**) Term: **15 Years**

(21) Appl. No.: **29/557,101**

(22) Filed: **Mar. 4, 2016**

(51) **LOC (10) Cl.** **09-09**

(52) **U.S. Cl.**
USPC **D34/10**

(58) **Field of Classification Search**
USPC D34/5, 1, 6, 10; 248/95, 97, 99, 100,
248/101; D32/53, 53.1, 54
CPC ... B65B 67/12; B65B 67/1238; B65F 1/1415;
B65F 1/141; B65F 1/0066
See application file for complete search history.

(56) **References Cited**

U.S. PATENT DOCUMENTS

4,312,531	A	1/1982	Cross	
4,802,258	A	2/1989	Jensen	
4,907,714	A	3/1990	Gatz	
5,088,214	A	2/1992	Jones	
D358,915	S *	5/1995	O'Donoghue D32/54
D439,718	S *	3/2001	Thorpe D34/28
D445,550	S *	7/2001	Wigren D34/6
6,708,742	B2 *	3/2004	Weathers B65B 67/04 141/391
D533,701	S *	12/2006	Payton D34/5
D651,780	S	1/2012	Grasteit	

8,152,019	B1	4/2012	Miller	
8,291,543	B2	10/2012	McCoy	
8,757,453	B1	6/2014	Olsson	
D729,483	S *	5/2015	Kent D32/54
9,212,000	B1 *	12/2015	McDonough B65F 1/10
2004/0221872	A1	11/2004	Perelli	
2005/0056649	A1	3/2005	Simonson	

OTHER PUBLICATIONS

PCT International Search Report and Written Opinion from PCT/
US2016/022479 dated Jun. 10, 2016 (11 pages).
PCT International Search Report and Written Opinion from PCT/
US2016/022479 dated Aug. 15, 2016 (11 pages) with PCT Notice
dated Aug. 16, 2016 (1 page).

* cited by examiner

Primary Examiner — Cynthia Ramirez

(74) *Attorney, Agent, or Firm* — Ladas & Parry, LLP

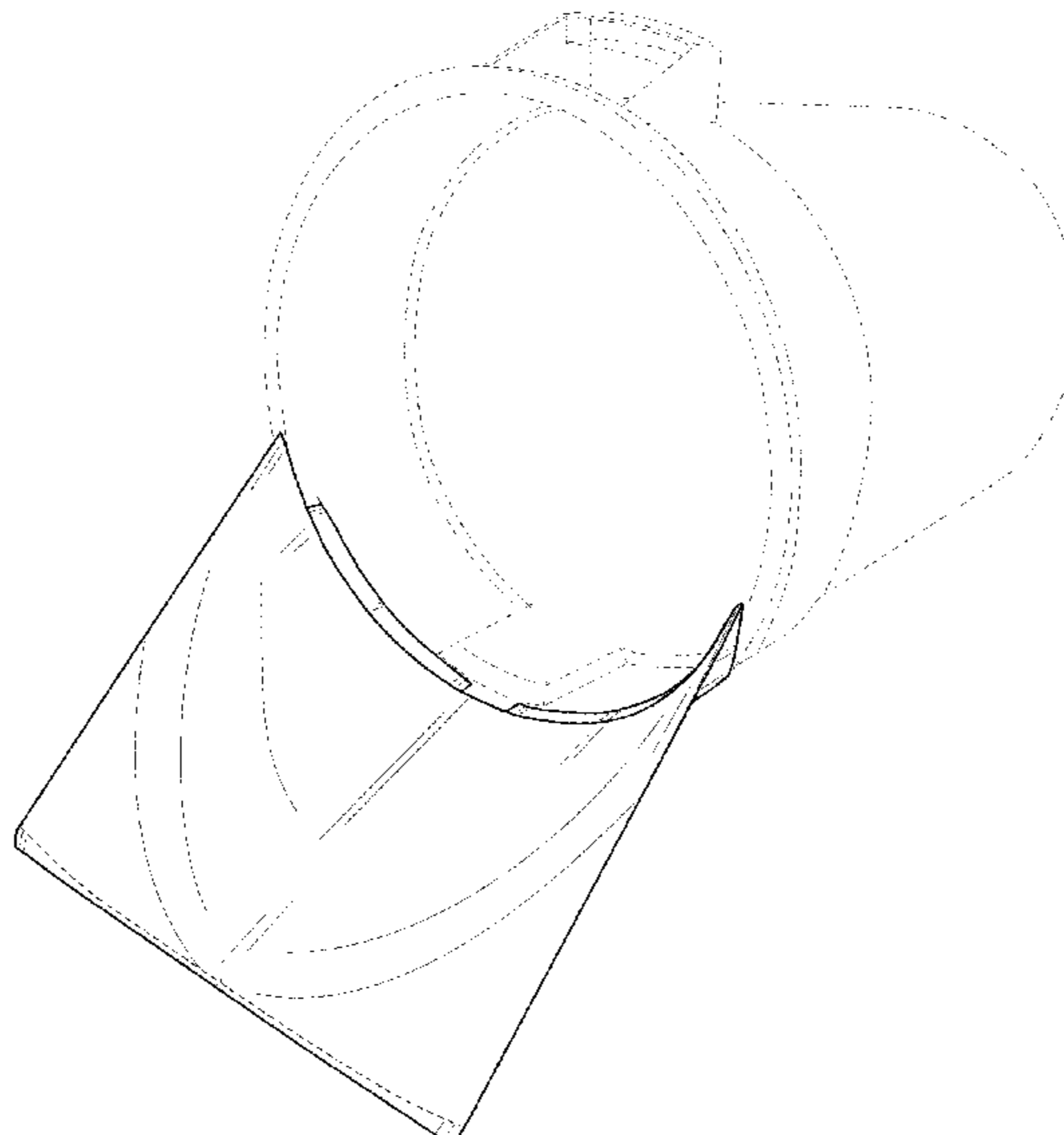
(57) **CLAIM**

We claim the ornamental design for a trash receptacle
loading ramp, as shown and described.

DESCRIPTION

FIG. 1 is a front perspective view of a trash receptacle
loading ramp showing our new design;
FIG. 2 is another front perspective view thereof;
FIG. 3 is a front view thereof;
FIG. 4 is a rear view thereof;
FIG. 5 is a right side view thereof;
FIG. 6 is a left side view thereof;
FIG. 7 is a top view thereof; and,
FIG. 8 is a bottom view thereof.
The broken lines in the Figures are for environmental
purposes only and form no part of the claimed design. The
shading in the Figures shows contour and not surface
ornamentation.

1 Claim, 7 Drawing Sheets



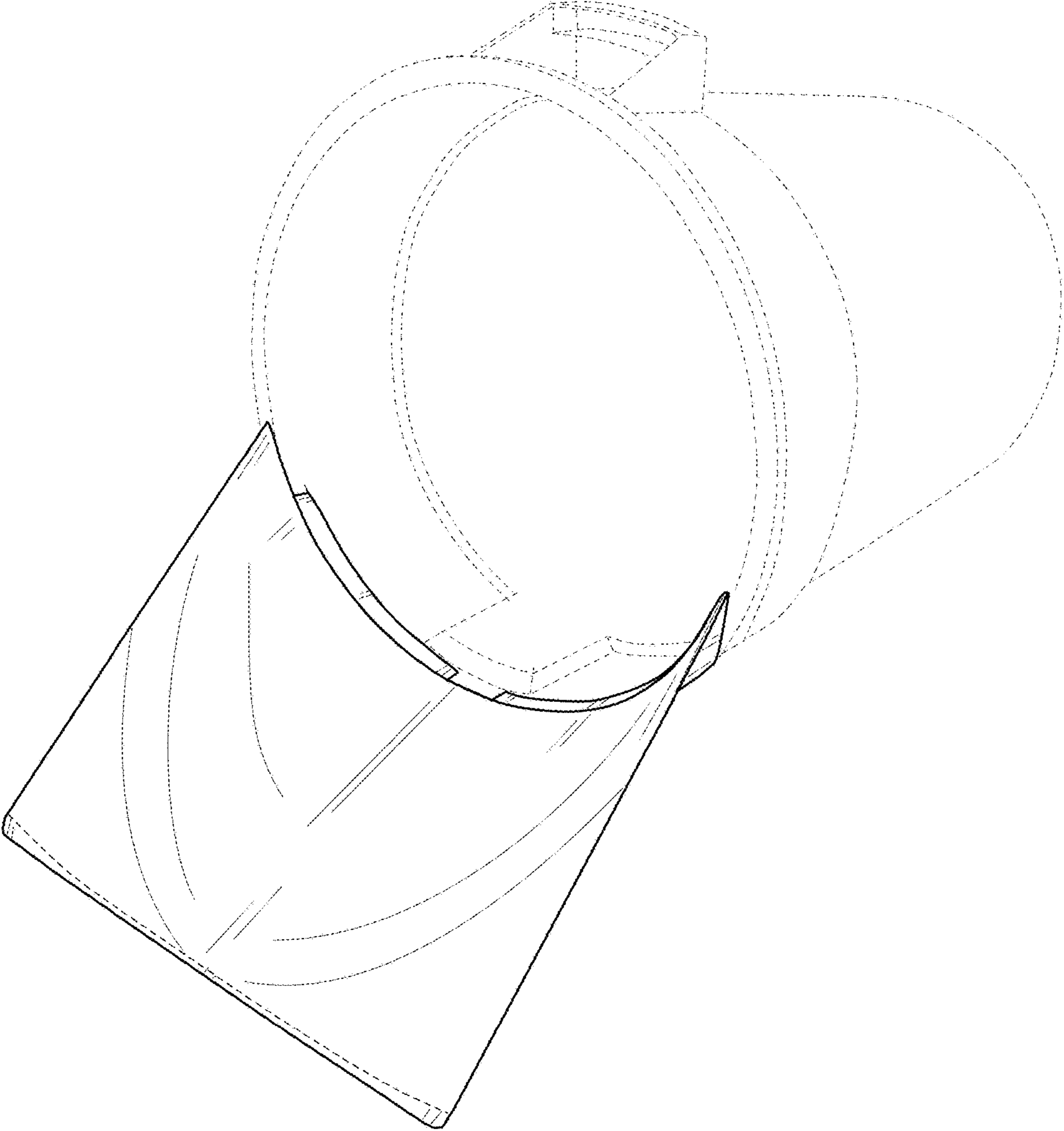


FIG. 1

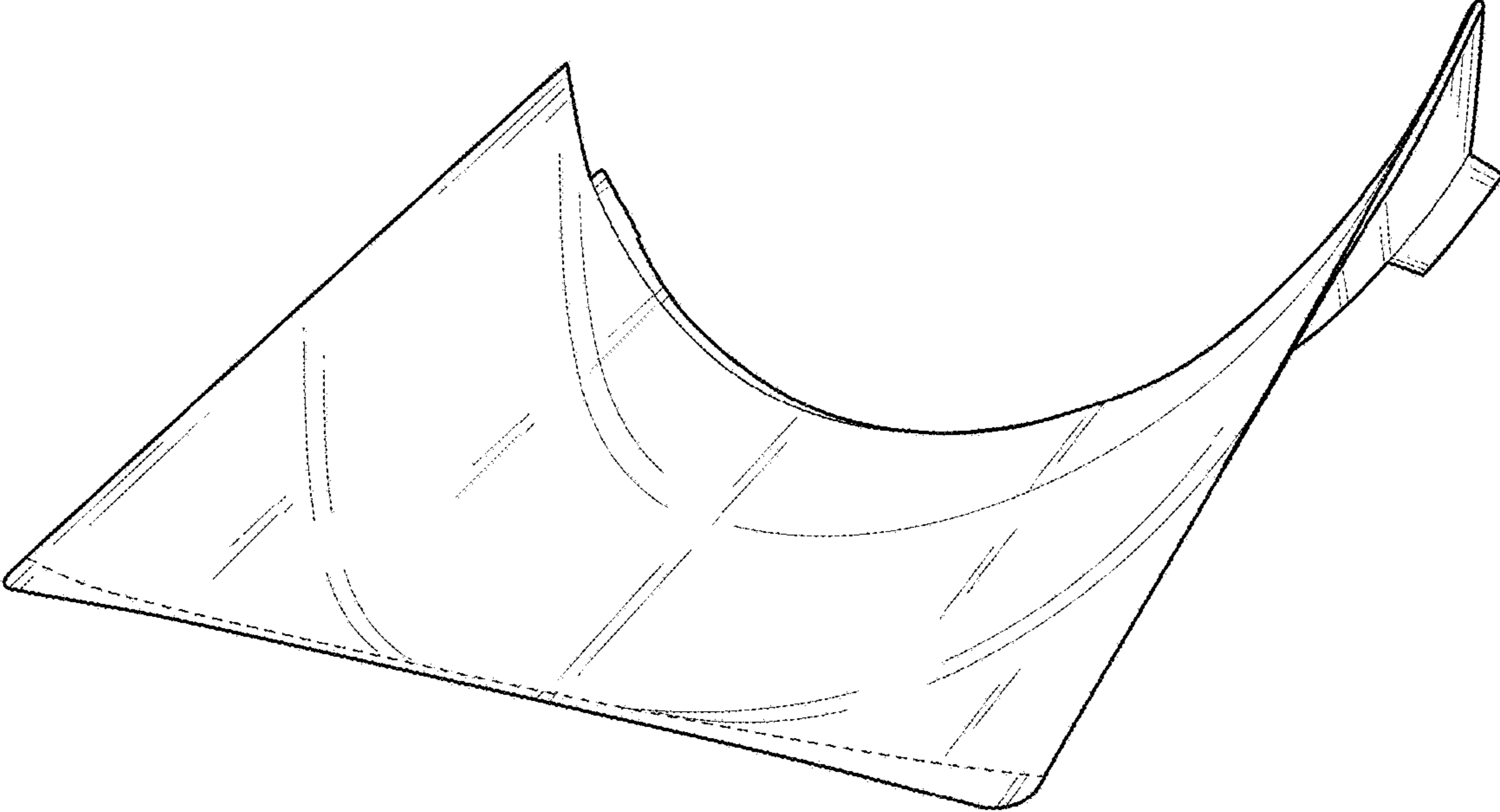


FIG. 2

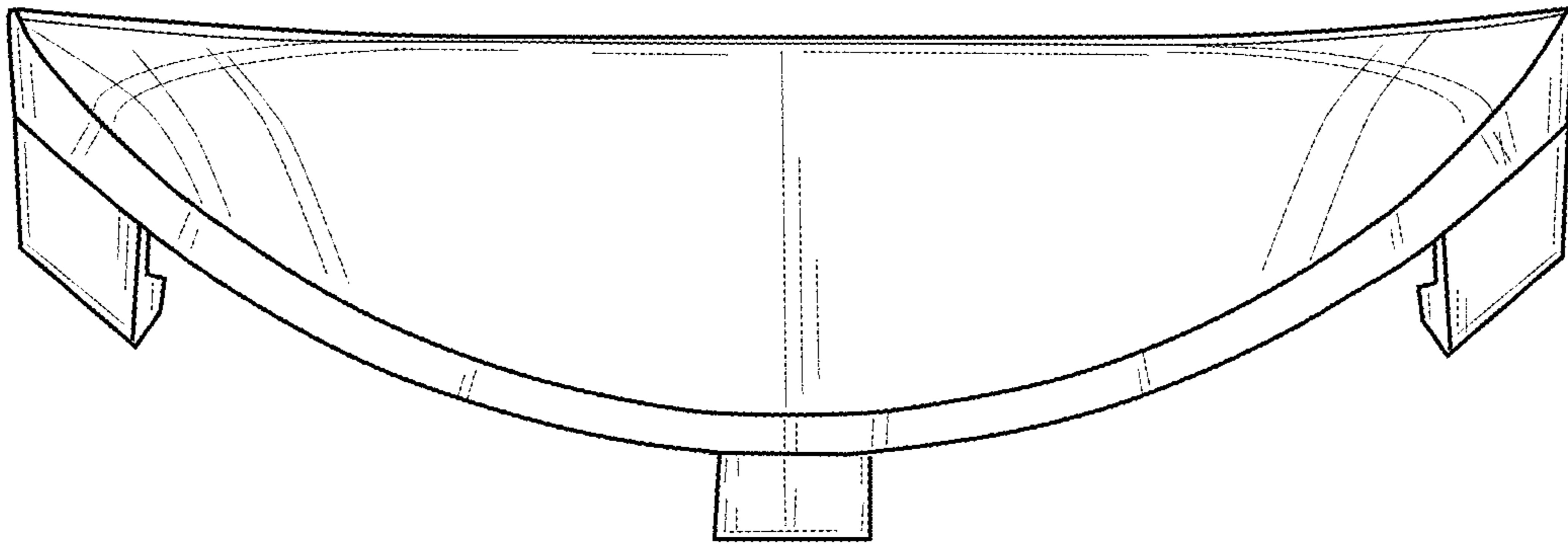


FIG. 3

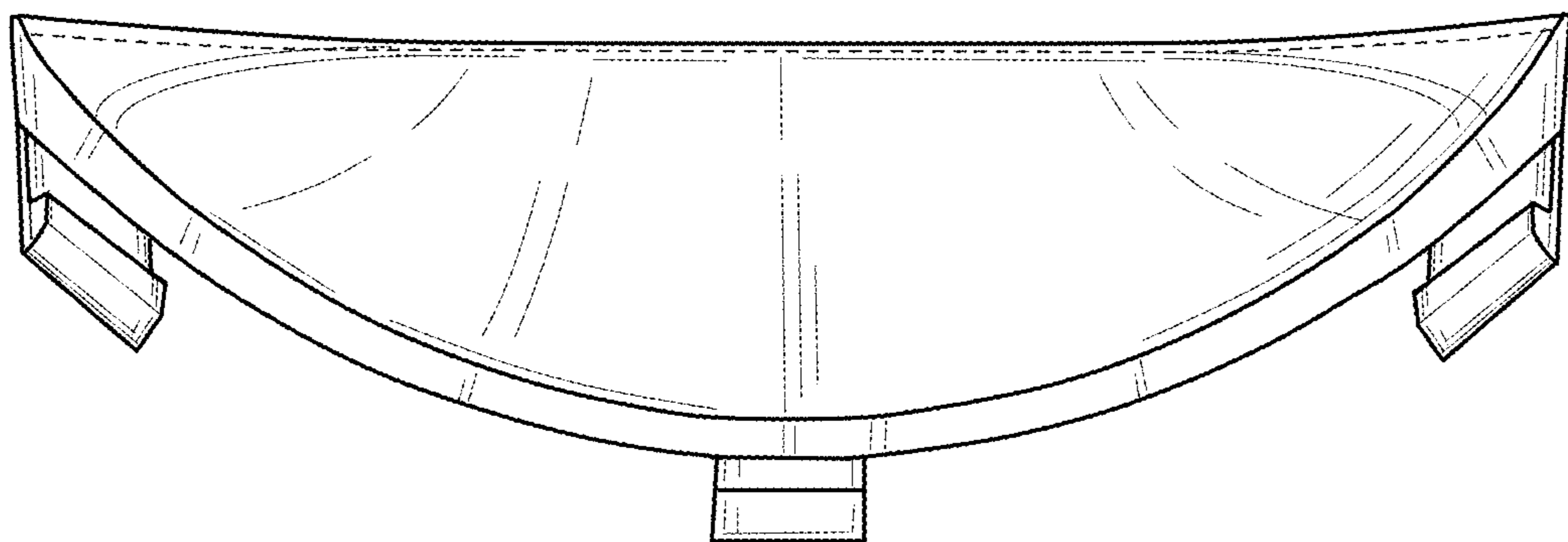


FIG. 4

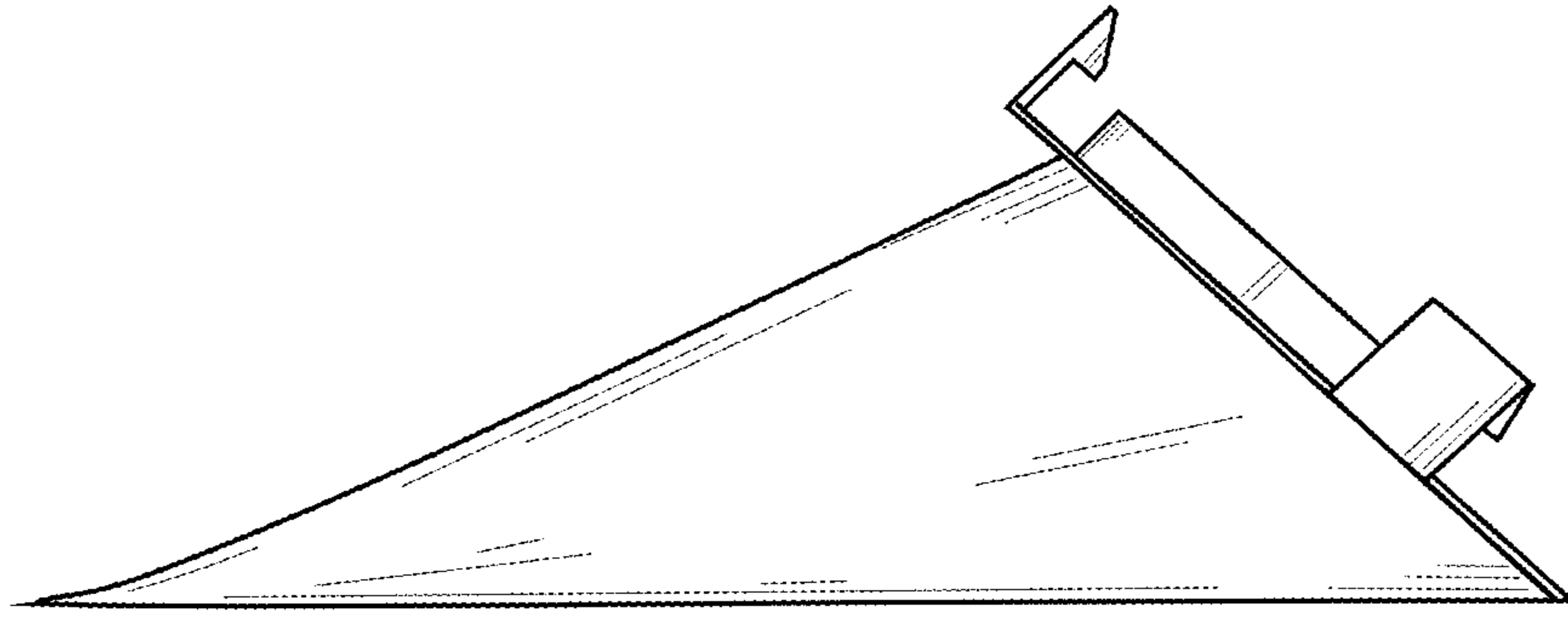


FIG. 5

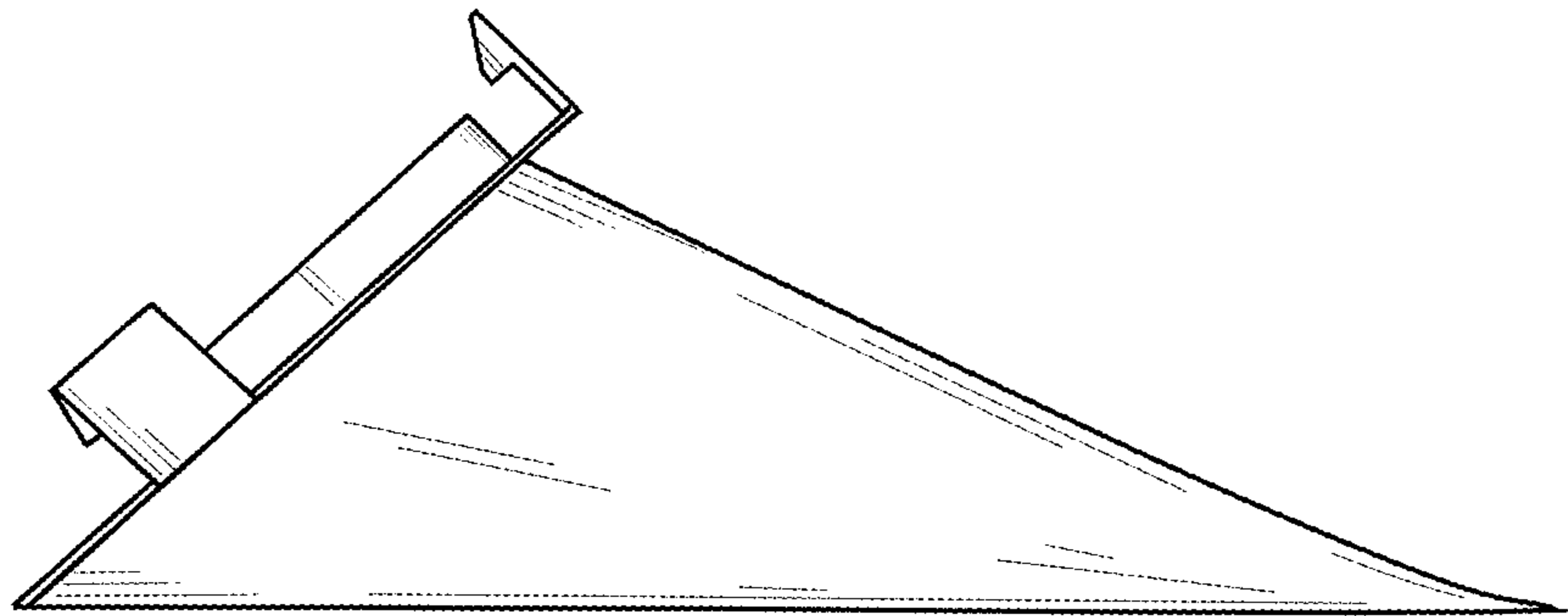


FIG. 6

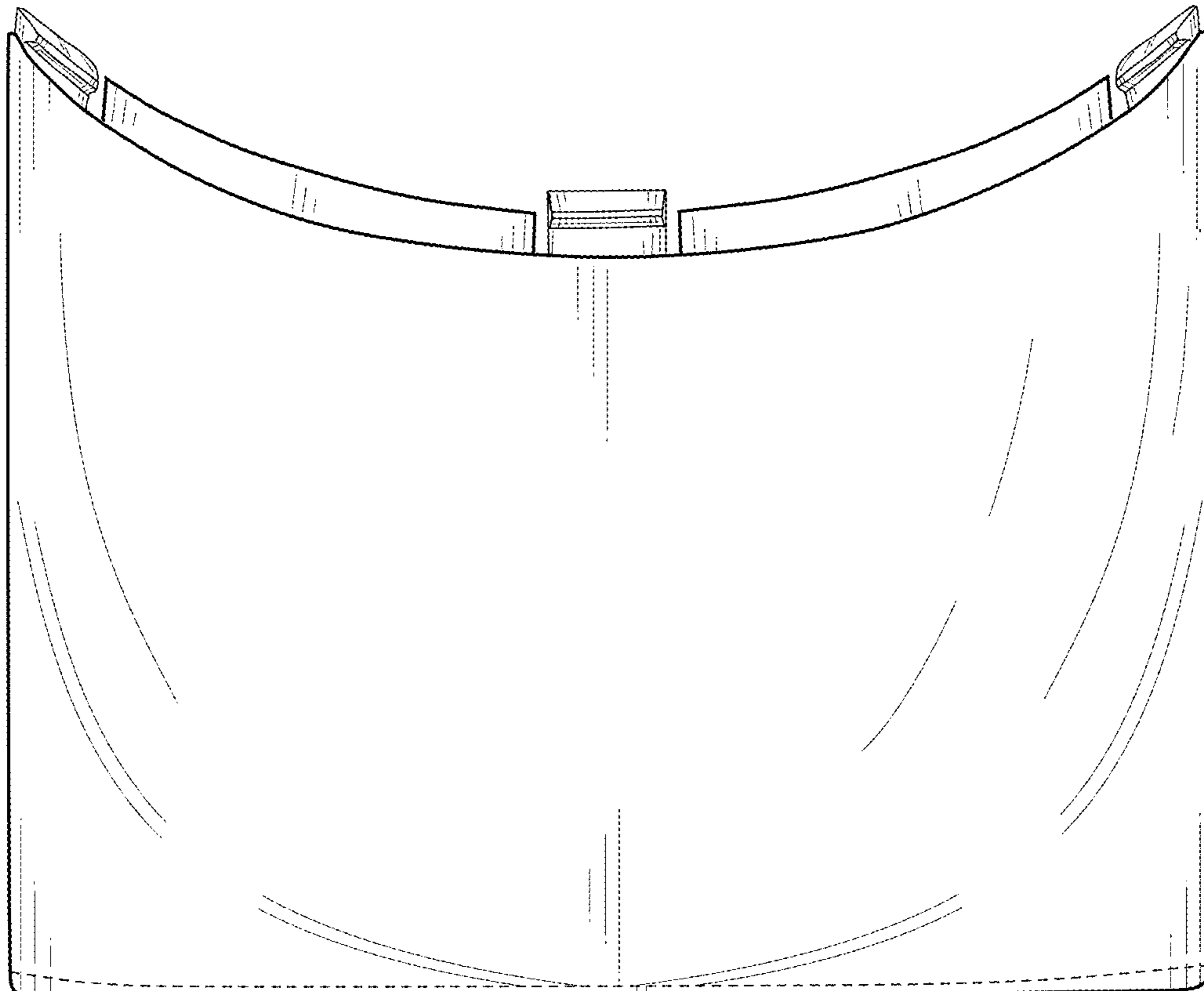


FIG. 7

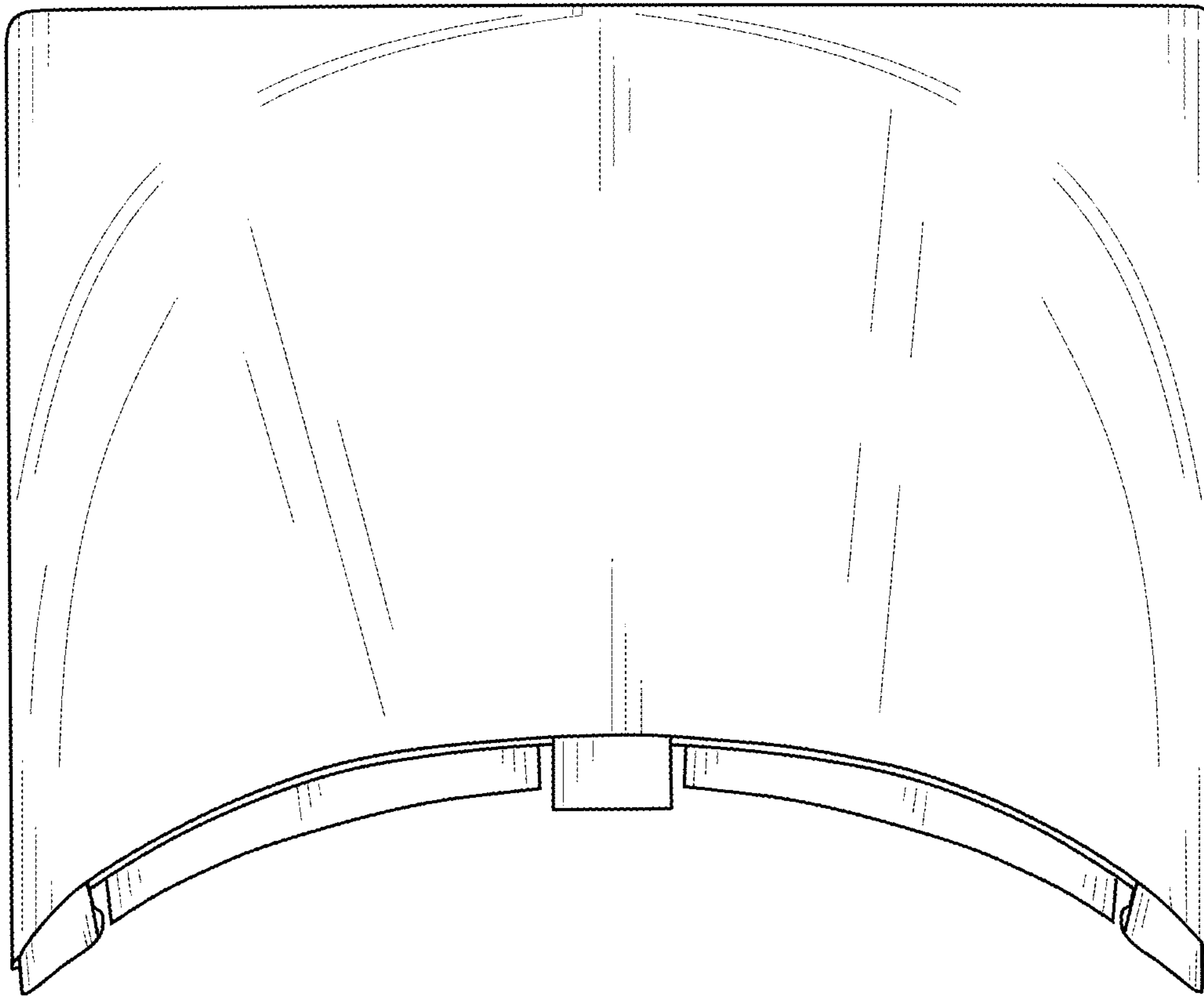


FIG. 8