



US00D802863S

(12) **United States Design Patent**  
**Jang et al.**

(10) **Patent No.:** **US D802,863 S**  
(45) **Date of Patent:** **\*\* Nov. 14, 2017**

(54) **HANDLE FOR CLEANER**

FOREIGN PATENT DOCUMENTS

(71) Applicant: **Samsung Electronics Co., Ltd.**,  
Suwon-si (KR)

JP 1422552 9/2011  
KR 300568001 7/2010

(72) Inventors: **Jaeho Jang**, Seoul (KR); **Kyungtae Kim**, Seoul (KR); **Youngjin Kim**,  
Gunpo-si (KR); **Yeonyoung Nam**,  
Goyang-si (KR)

OTHER PUBLICATIONS

(73) Assignee: **SAMSUNG ELECTRONICS CO., LTD.**,  
Gyeonggi-Do (KR)

Dyson: Dyson DC16 handheld cleaner, Copyright 1996-2015, pp. 1-4, Retrieved from the Internet Oct. 23, 2015, <URL: [http://www.amazon.com/Dyson-Handheld-Vacuum-Cleaner-Station/dp/B00FKTK6FK/re . . .](http://www.amazon.com/Dyson-Handheld-Vacuum-Cleaner-Station/dp/B00FKTK6FK/re...)>.

(\*\*) Term: **15 Years**

KDK—Cordless Handheld, Trademark 1918, pp. 1-5, Retrieved from the Internet Oct. 23, 2015, <URL: <http://www.singaporehandyman.com/Fan/kadeka/vacuum.htm>>.

(21) Appl. No.: **29/543,468**

Korean Office Action—KR Application No. 30/2015-0021071 dated Aug. 12, 2015.

(22) Filed: **Oct. 23, 2015**

\* cited by examiner

(30) **Foreign Application Priority Data**

*Primary Examiner* — Ruth McInroy

Apr. 24, 2015 (KR) ..... 30-2015-0021071

(74) *Attorney, Agent, or Firm* — Cantor Colburn LLP

(51) **LOC (10) Cl.** ..... **15-05**

(52) **U.S. Cl.**

USPC ..... **D32/34**

(58) **Field of Classification Search**

USPC ..... D32/34, 31, 22, 17-18, 21

CPC ..... A47L 9/325; A47L 9/1666; A47L 9/1683;

A47L 5/28; A47L 5/24; A47L 5/362;

A47L 7/0038

See application file for complete search history.

(56) **References Cited**

U.S. PATENT DOCUMENTS

D475,491 S	6/2003	Kalman et al.	
D641,114 S *	7/2011	Choi	D32/34
D731,136 S *	6/2015	Yun	D32/34
D731,724 S *	6/2015	Cheon	D32/22
D731,725 S *	6/2015	Jang	D32/34
D740,502 S *	10/2015	Janda	D32/18
D770,111 S *	10/2016	Lee	D32/34
D771,890 S *	11/2016	Kim	D32/34
2015/0230677 A1 *	8/2015	Andrikanish	A47L 9/102 15/353
2016/0174789 A1 *	6/2016	Han	A47L 5/24 15/327.1

(57) **CLAIM**

The ornamental design for a handle for cleaner, as shown and described.

**DESCRIPTION**

FIG. 1 is a perspective view of a handle for cleaner, showing our new design;

FIG. 2 is a front view thereof;

FIG. 3 is a rear view thereof;

FIG. 4 is a side view thereof;

FIG. 5 is another side view thereof;

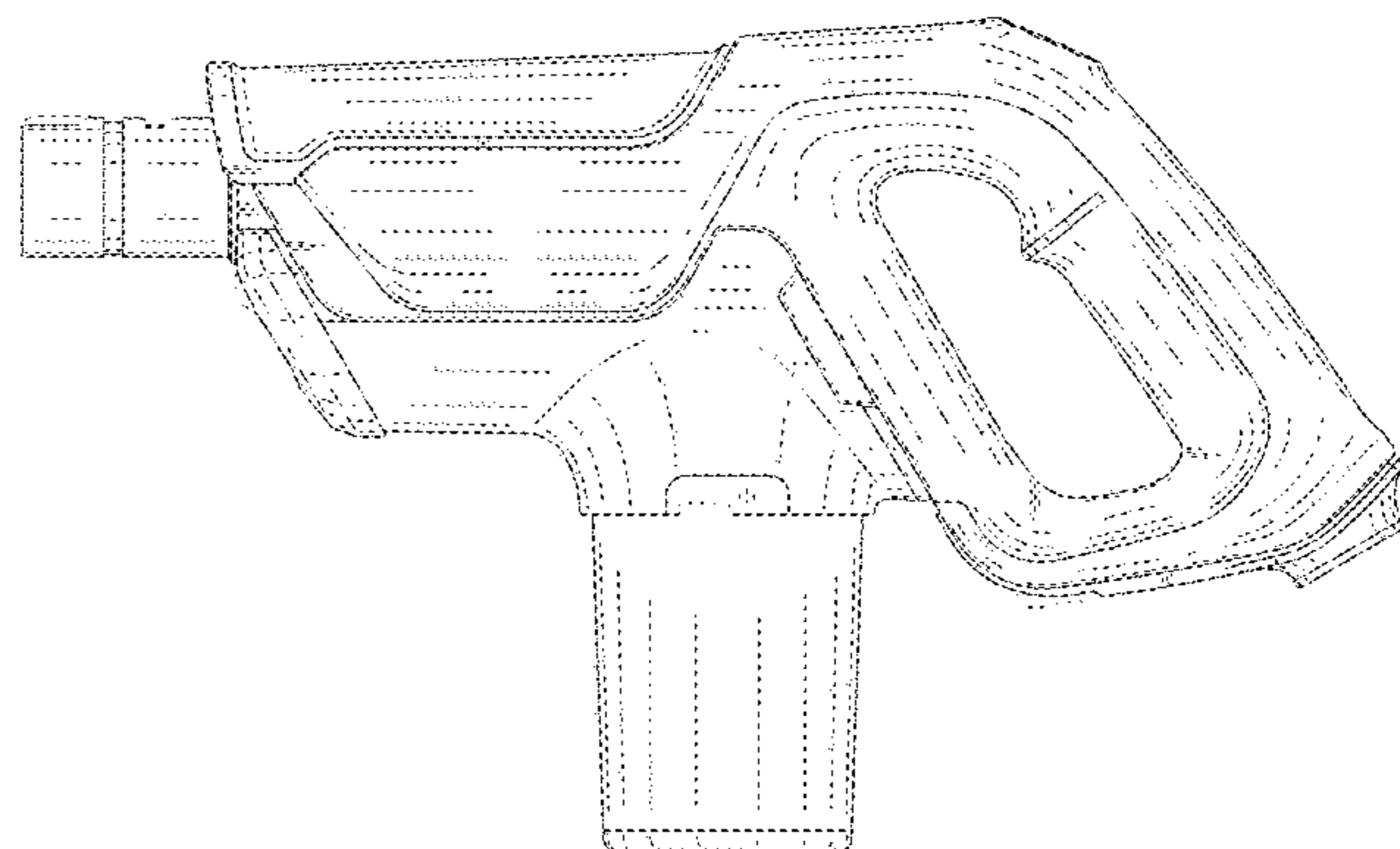
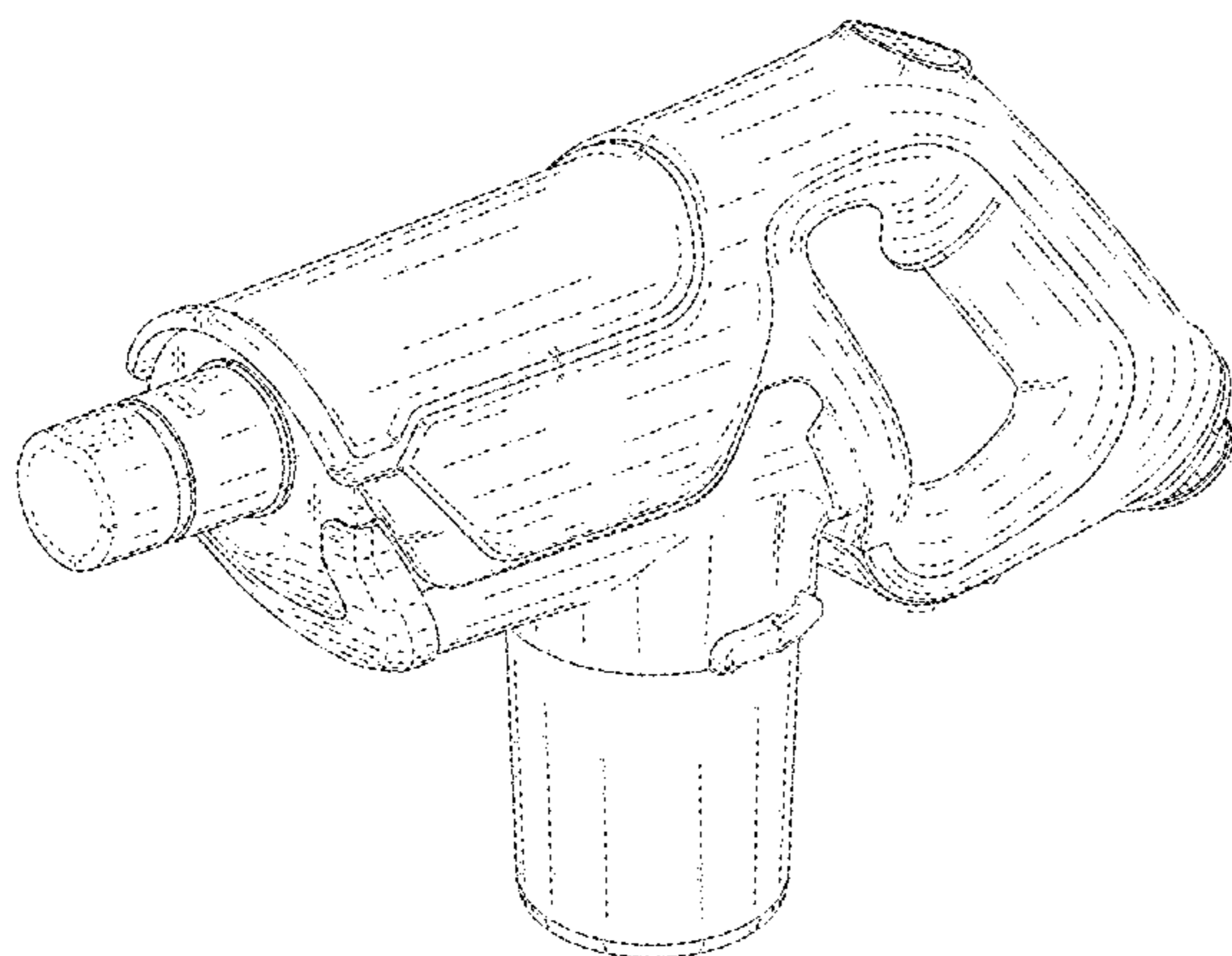
FIG. 6 is a top view thereof;

FIG. 7 is a bottom view thereof; and,

FIG. 8 is another perspective view thereof.

The broken lines illustrating portions of the handle for cleaner form no part of the claimed design.

**1 Claim, 8 Drawing Sheets**



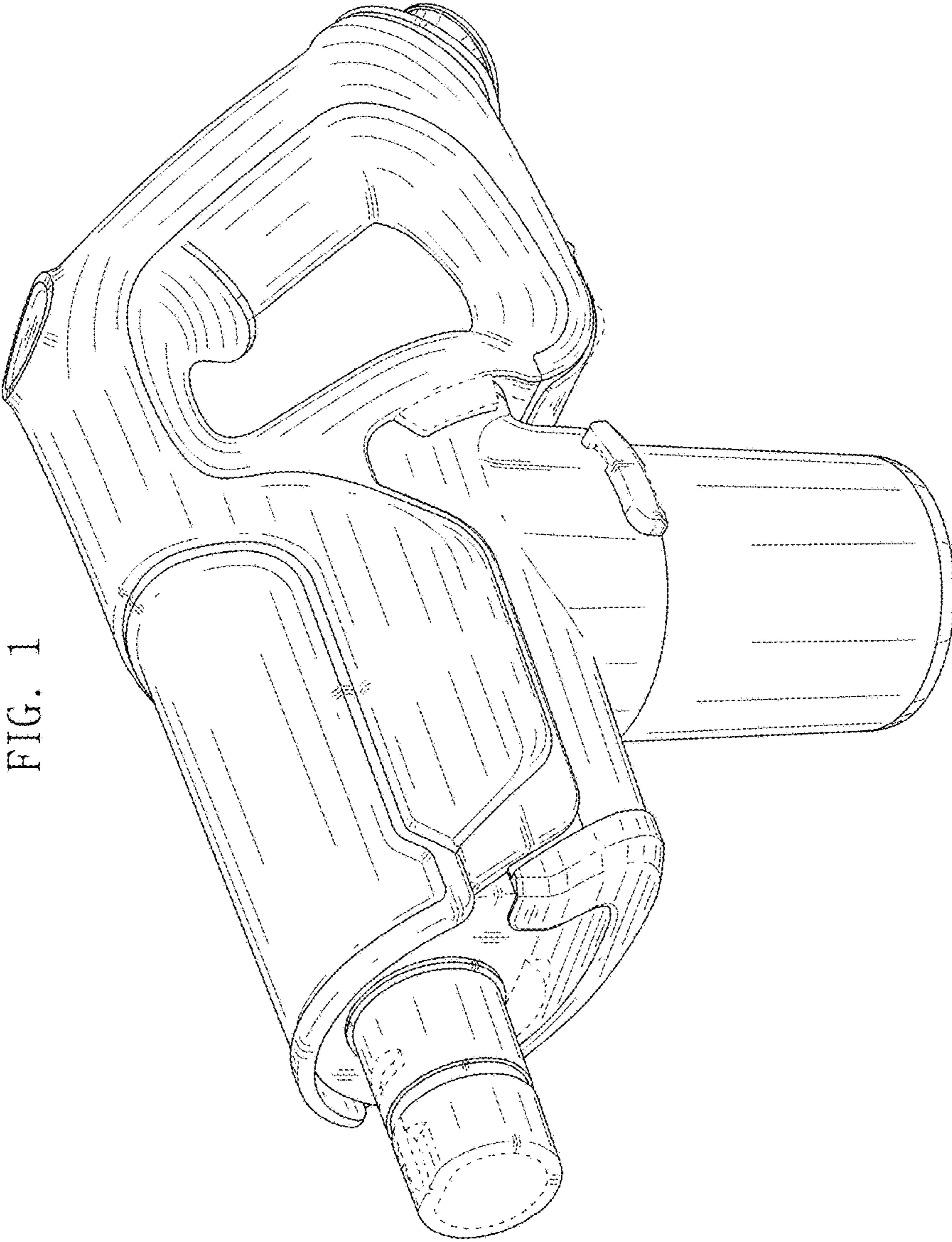


FIG. 1

FIG. 2

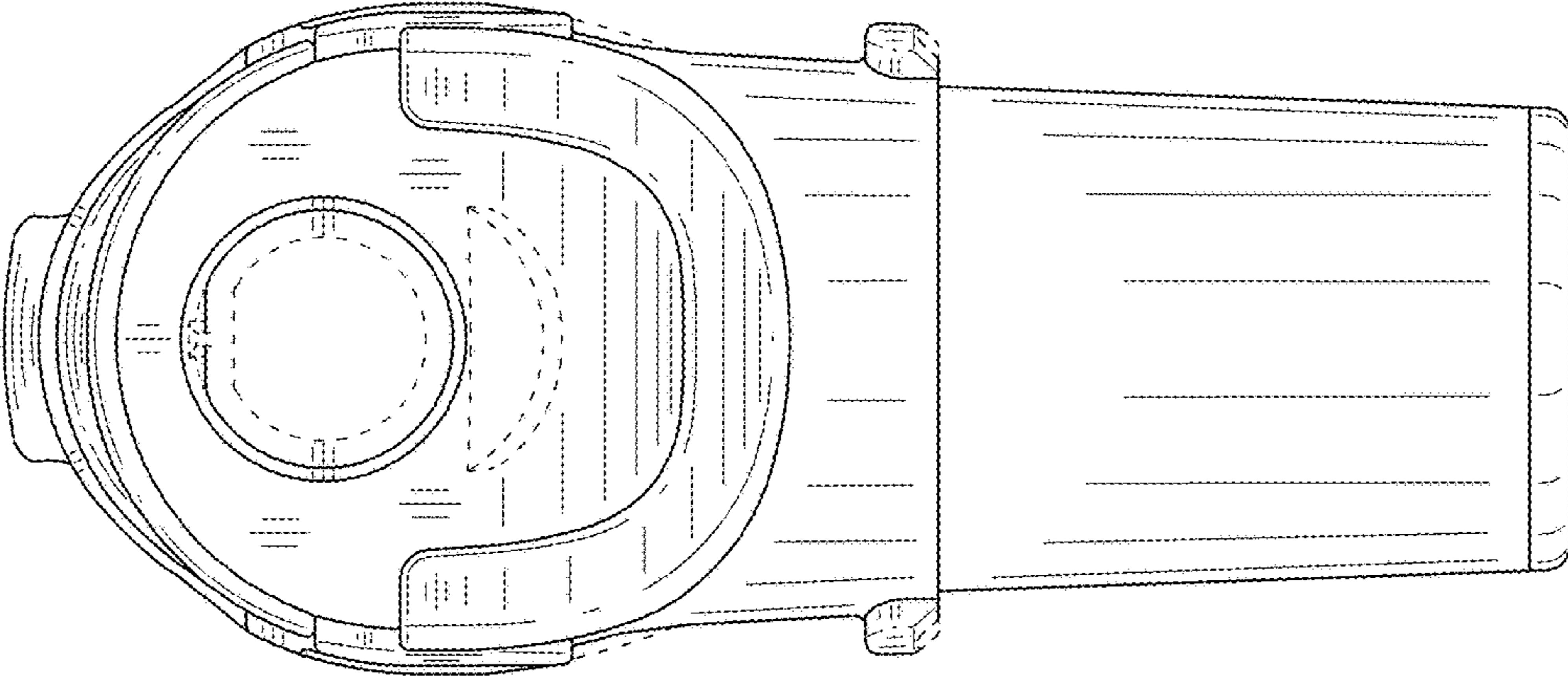


FIG. 3

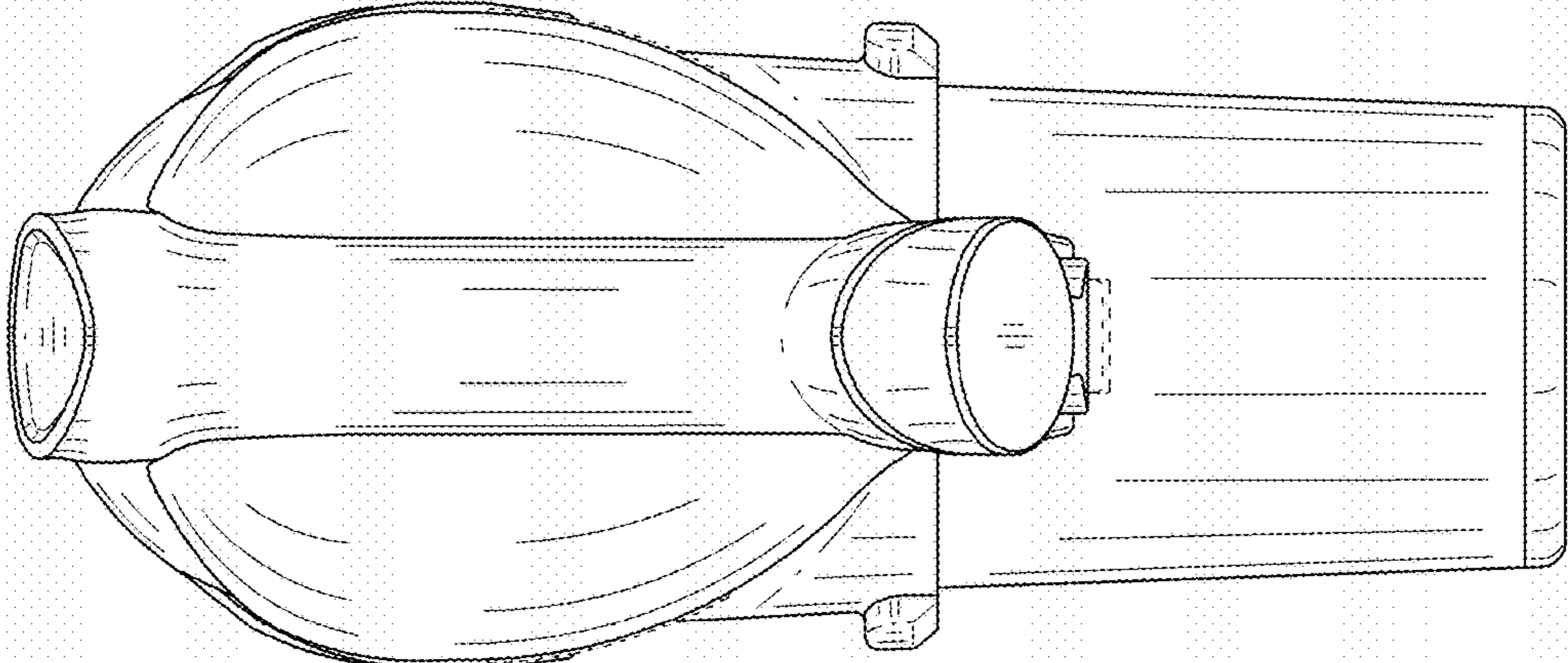


FIG. 4

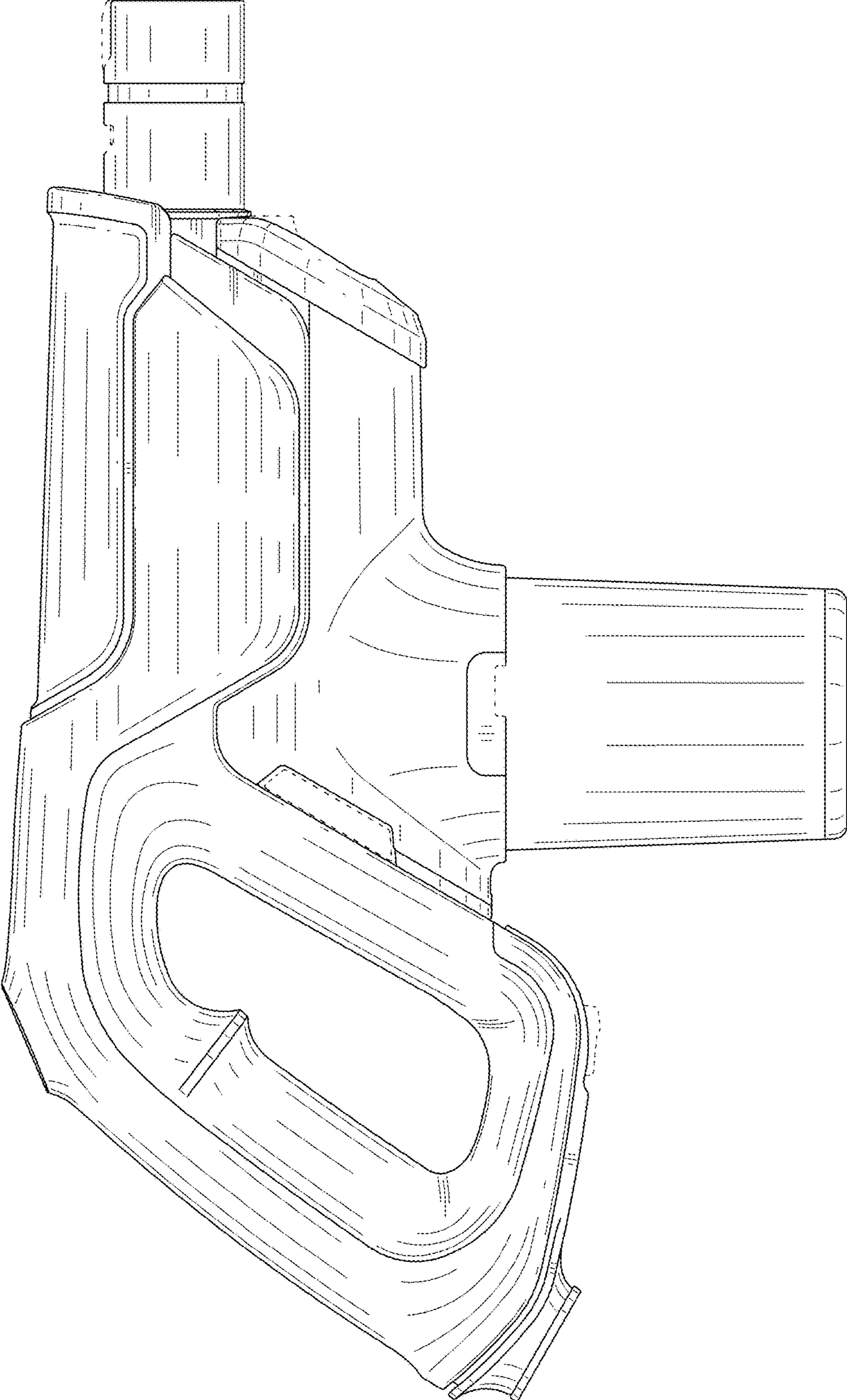


FIG. 5

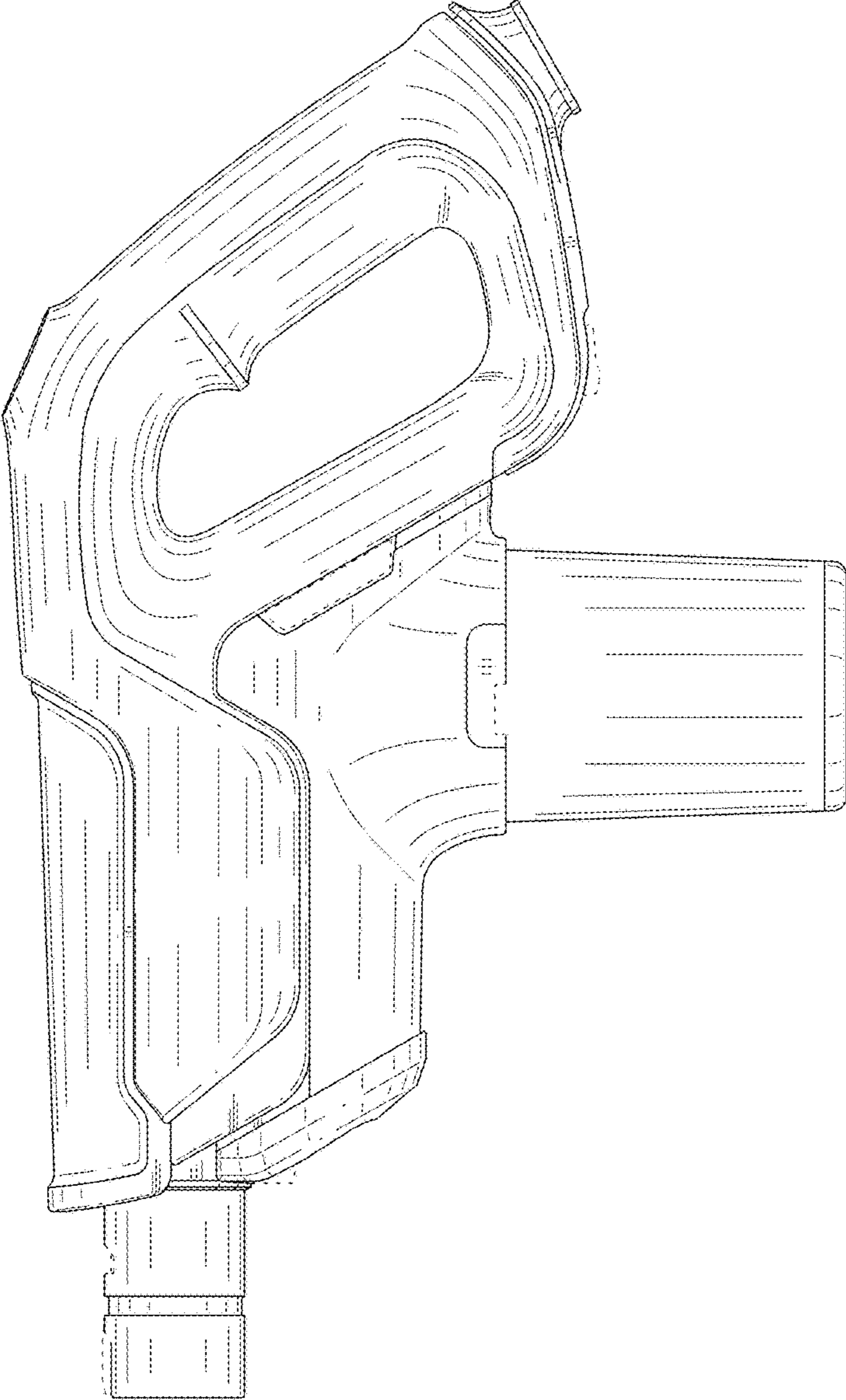


FIG. 6

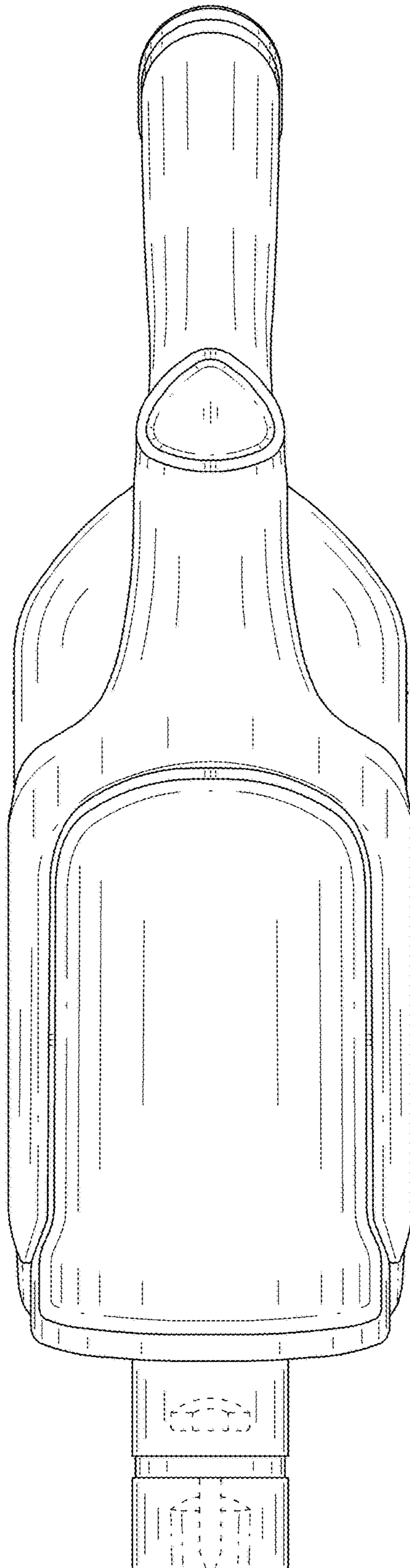


FIG. 7

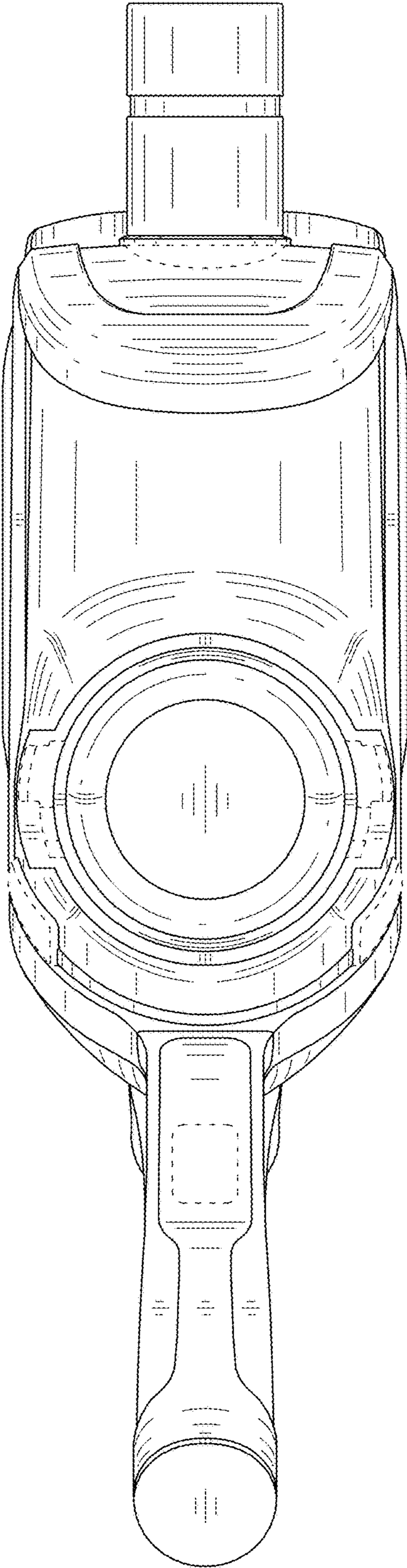




FIG. 8

