



US00D802861S

(12) **United States Design Patent**
Jin et al.

(10) **Patent No.:** **US D802,861 S**

(45) **Date of Patent:** **** Nov. 14, 2017**

(54) **VACUUM CLEANERS**

(71) Applicant: **Alfred Kaercher GmbH & Co. KG,**
Winnenden (DE)

(72) Inventors: **Zheyi Jin,** Schwaikheim (DE); **Denis Dammkoehler,** Backnang (DE)

(73) Assignee: **Alfred Kaercher GmbH & Co. KG,**
Winnenden (DE)

(**) Term: **15 Years**

(21) Appl. No.: **29/568,120**

(22) Filed: **Jun. 15, 2016**

(30) **Foreign Application Priority Data**

Dec. 18, 2015 (WO) DM/088787

(51) **LOC (10) Cl.** **15-05**

(52) **U.S. Cl.**
USPC **D32/21**

(58) **Field of Classification Search**
USPC D32/17, 21-24, 31
CPC D06F 87/00; D06F 75/06; D06F 73/00;
F22B 1/284; F24F 6/025; B44C 7/027;
A47L 11/34; A47L 9/2842; A47L 5/362;
A47L 5/365; A47L 7/0038; A04H 4/1636;
A04H 4/1654; A04H 4/169; E04H
4/1272; B01D 35/26
See application file for complete search history.

(56) **References Cited**

U.S. PATENT DOCUMENTS

D528,718 S * 9/2006 Tomasiak D32/21
D581,111 S * 11/2008 DiPasquale D32/21
D587,868 S * 3/2009 DiPasquale D32/21
D615,258 S * 5/2010 Dammkoehler D32/23

D655,872 S * 3/2012 Jin D32/21
D660,529 S * 5/2012 Dammkoehler D32/21
D675,388 S * 1/2013 Buck D32/21
D676,205 S * 2/2013 Theising D32/21
D743,648 S * 11/2015 Imsand D32/21
D746,523 S * 12/2015 Jin D32/21
9,572,464 B2 * 2/2017 Wehner A47L 5/365
D782,759 S * 3/2017 Mathiassen D32/21

OTHER PUBLICATIONS

Extract from catalog of Alfred Kaercher GmbH & Co. KG, "Pro-
gramme 2010 Kaercher Professional (Professional commercial,
Industrial)", cover, pp. 94-105 and last page (Nov. 2009).

Extract from catalog of Alfred Kaercher GmbH & Co. KG, "Pro-
gramme 2011 Kaercher Professional (Commercial)", cover, pp.
120-134, 136, 138, 142, 148 and last page (Nov. 2010).

Extract from catalog of Alfred Kaercher GmbH & Co. KG, "Pro-
gramme 2012 Kaercher Professional (Professional, Industrial)",
cover, pp. 108, 110, 111, 115-118 and last page (Nov. 2011).

(Continued)

Primary Examiner — Ruth McInroy

(74) *Attorney, Agent, or Firm* — Lipsitz & McAllister,
LLC

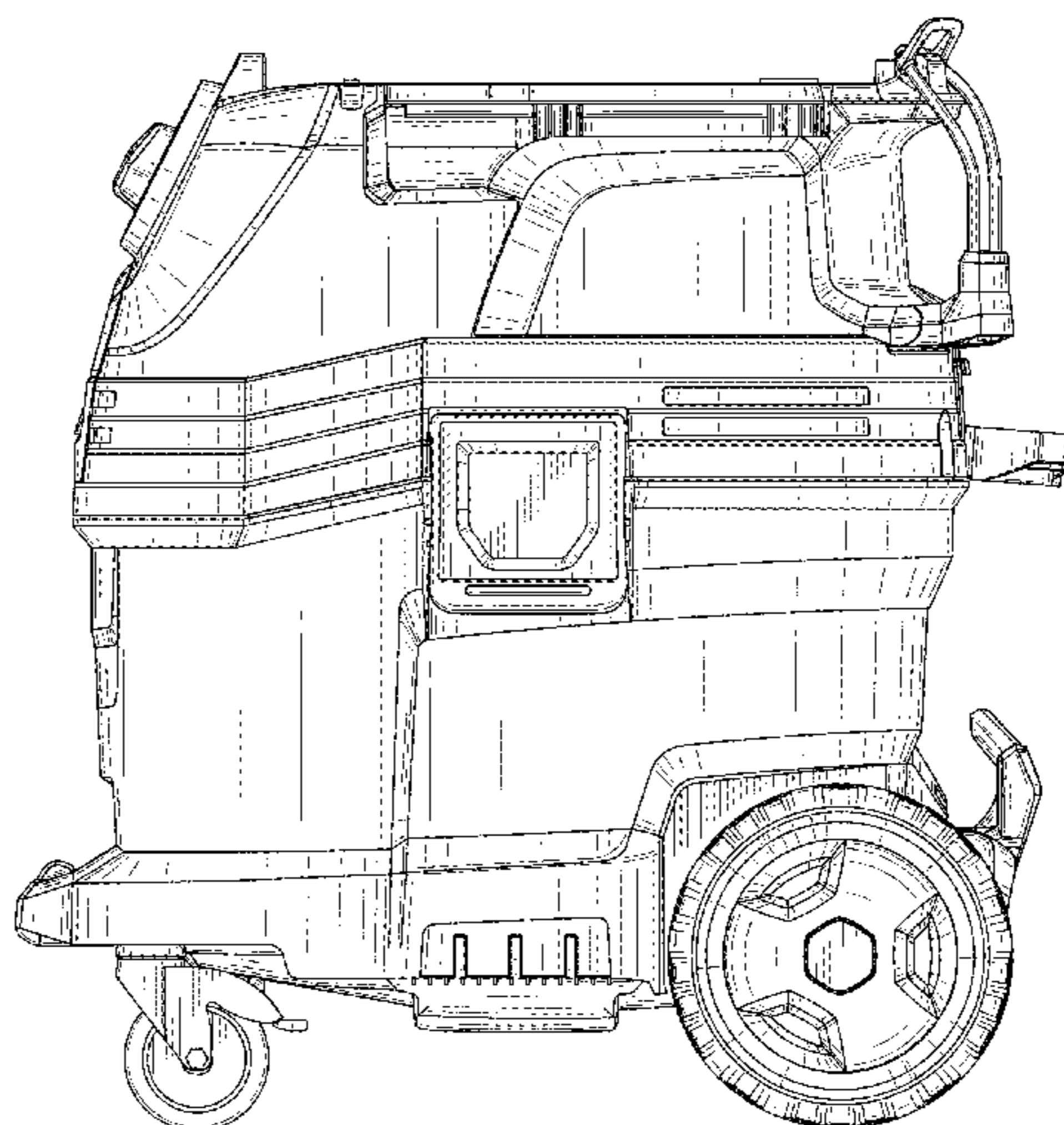
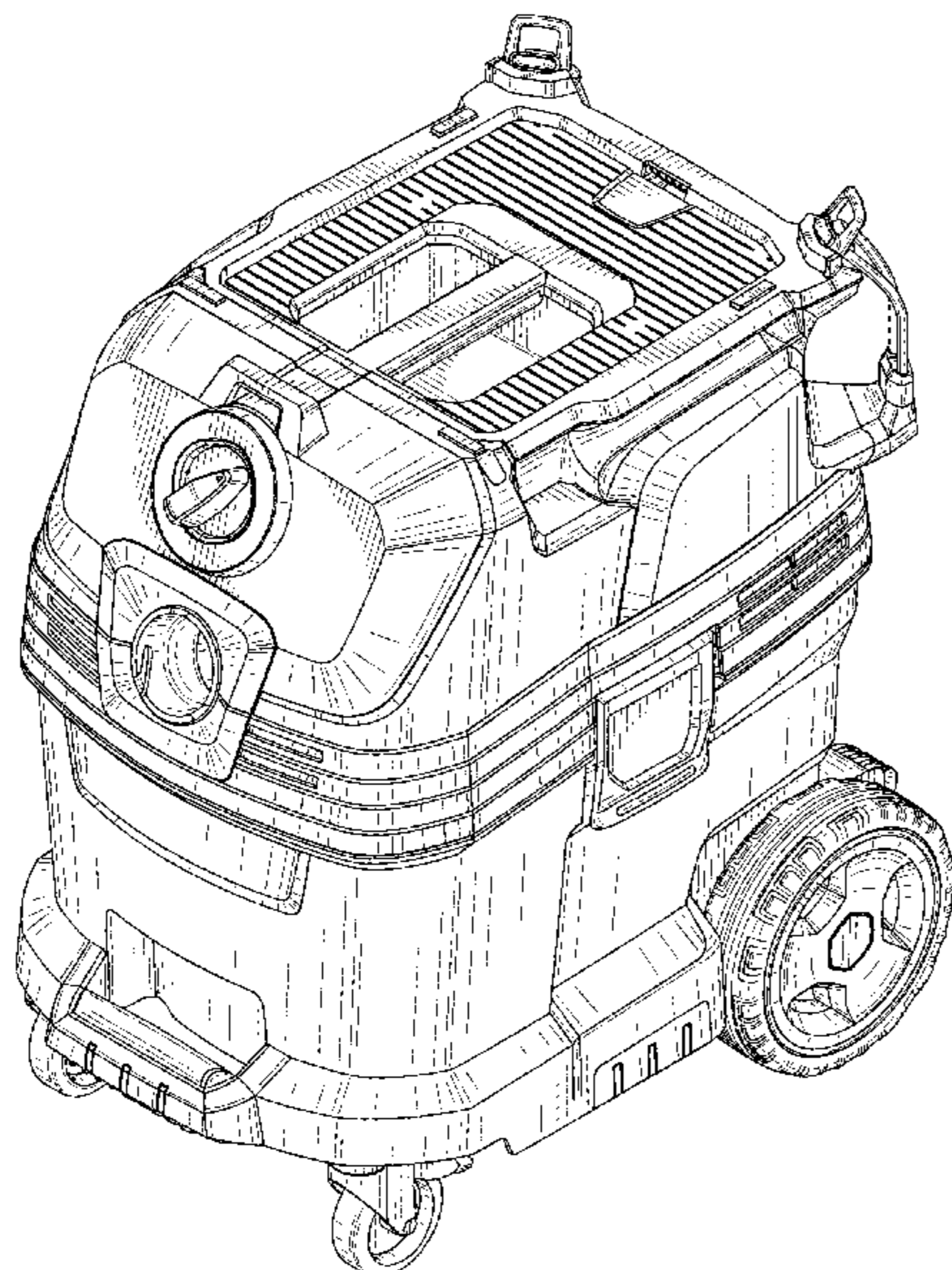
(57) **CLAIM**

The ornamental design for a vacuum cleaner, as shown and
described.

DESCRIPTION

FIG. 1 is a front, top and right side perspective view of a
vacuum cleaner showing our new design;
FIG. 2 is a front, top and left side perspective view thereof;
FIG. 3 is a front elevational view thereof;
FIG. 4 is a right side elevational view thereof;
FIG. 5 is a rear elevational view thereof;
FIG. 6 is a left side elevational view thereof; and,
FIG. 7 is a top plan view thereof.

1 Claim, 7 Drawing Sheets



(56)

References Cited

OTHER PUBLICATIONS

Extract from catalog of Alfred Kaercher GmbH & Co. KG, "Programme 2012 Kaercher Professional", cover, pp. 126-134, 136, 138, 140, 142, 144, 146, 148, 150, 151, 162 and last page (Nov. 2011).

Extract from catalog of Alfred Kaercher GmbH & Co. KG, "Programme 2013 Kaercher Xpert", cover, pp. 14, 15 and last page (Nov. 2012).

Extract from catalog of Alfred Kaercher GmbH & Co. KG, "Programme 2013 Kaercher Home & Garden", cover, pp. 70-86 and last page (Oct. 2012).

Extract from catalog of Alfred Kaercher GmbH & Co. KG, "Programme 2013 Kaercher Professional", cover, pp. 238, 240-267 and last page (Nov. 2012).

Extract from catalog of Alfred Kaercher GmbH & Co. KG, "Programme 2014 Kaercher Xpert", cover, pp. 3, 14, 15 and last page (Oct. 2013).

Extract from catalog of Alfred Kaercher GmbH & Co. KG, "Programme 2014 Kaercher Home & Garden", cover, pp. 3, 58-73, 80-87 and last page (Oct. 2013).

Extract from catalog of Alfred Kaercher GmbH & Co. KG, "Programme 2014 Kaercher Professional", cover, pp. 13, 164-215, 244-255 and last page (Oct. 2013).

Extract from catalog of Alfred Kaercher GmbH & Co. KG, "Programme 2015 Kaercher Professional", cover, pp. 11, 190, 192, 194-198, 200, 202, 204, 206, 208, 210, 212, 214, 216, 218-223, 244, 246, 248-265, 294, 298, 300, 302-306, 308-310, 312, 314, 316, 318, 320, 321 and last page (Nov. 2014).

Extract from catalog of Alfred Kaercher GmbH & Co. KG, "Programme 2015/2016 Kaercher Home & Garden 60 Hz", cover, pp. 59-61, 64-73, 78, 80-87 and last page (Nov. 2014).

* cited by examiner

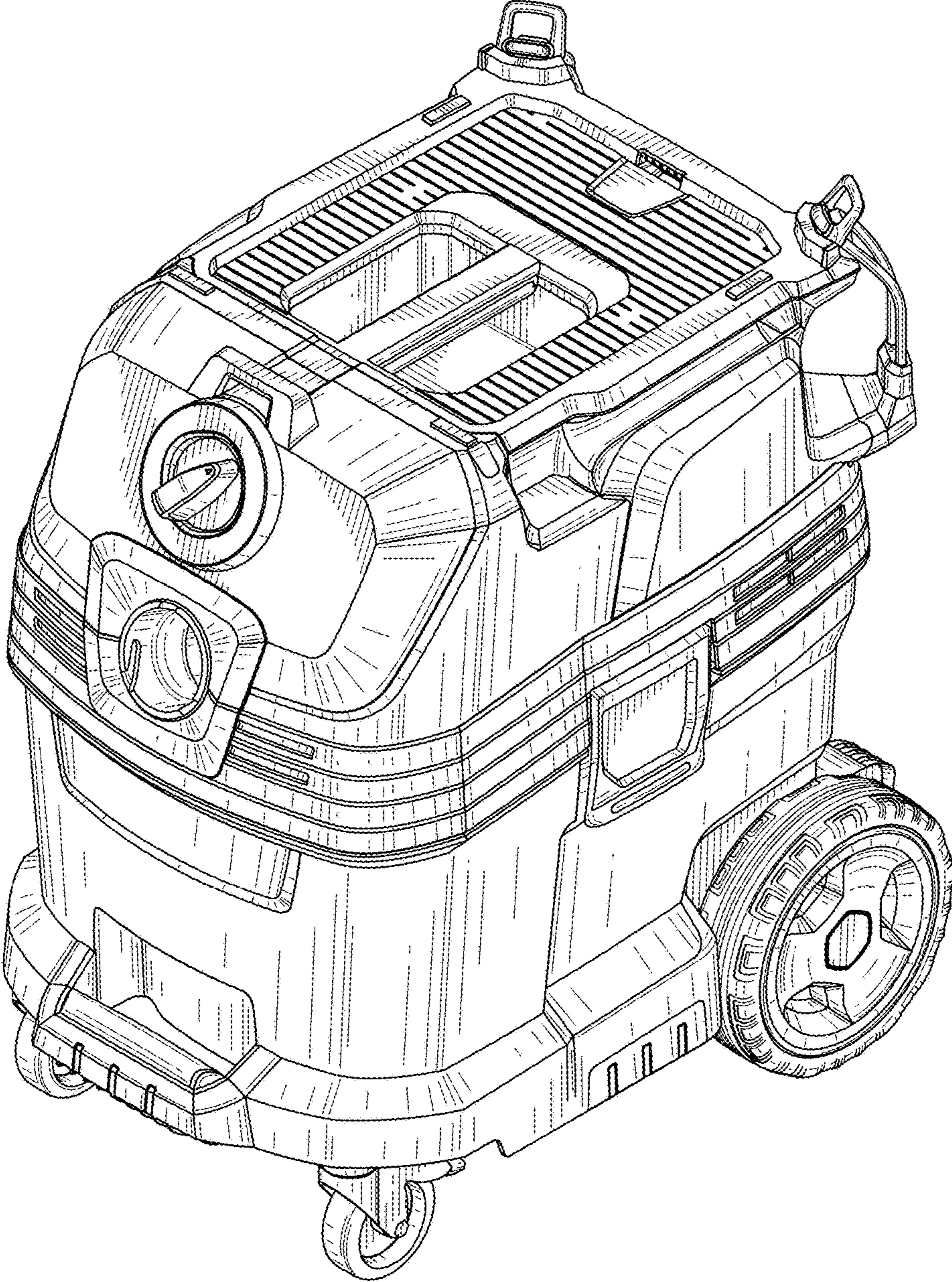


FIG. 1

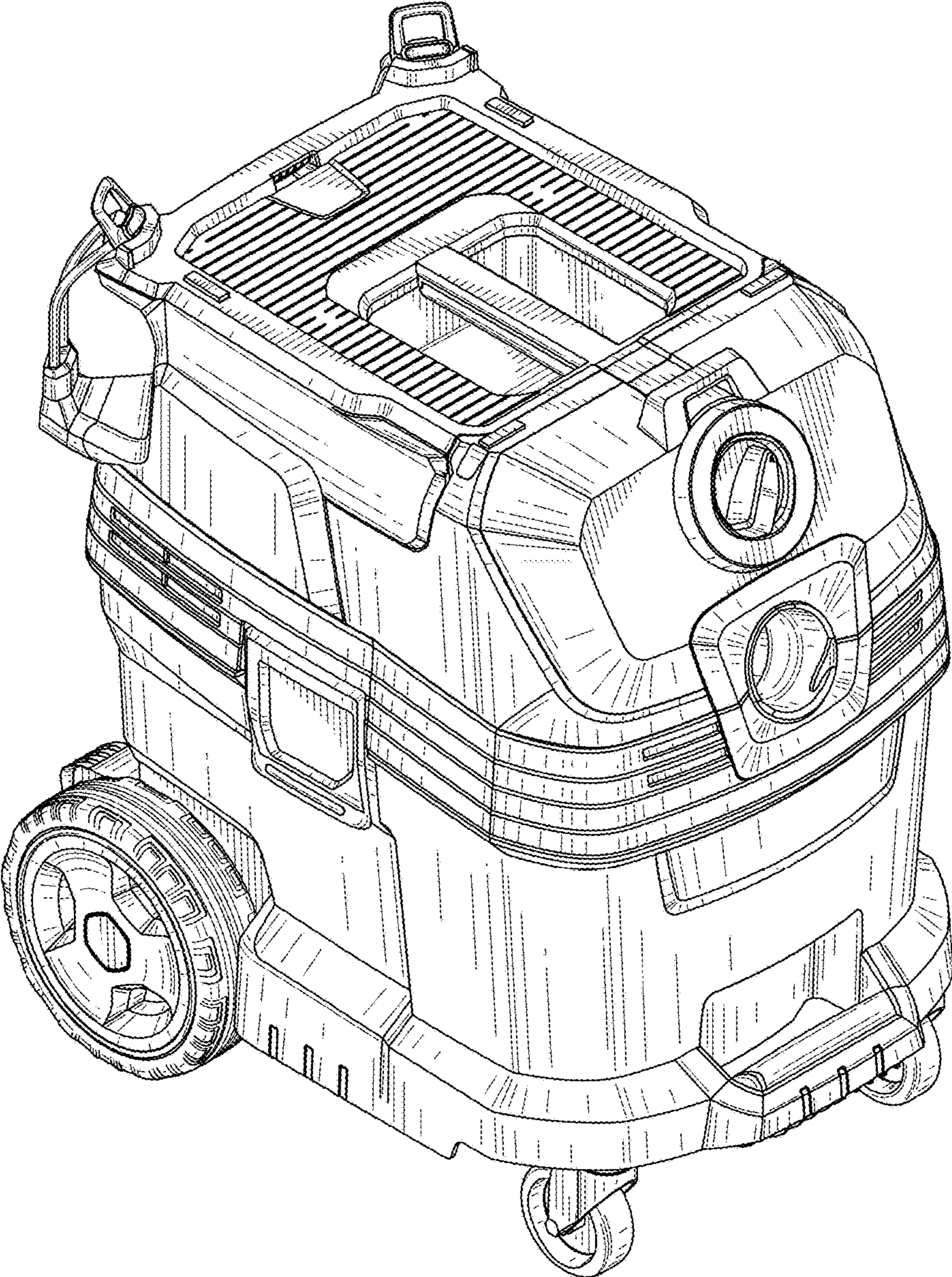


FIG. 2

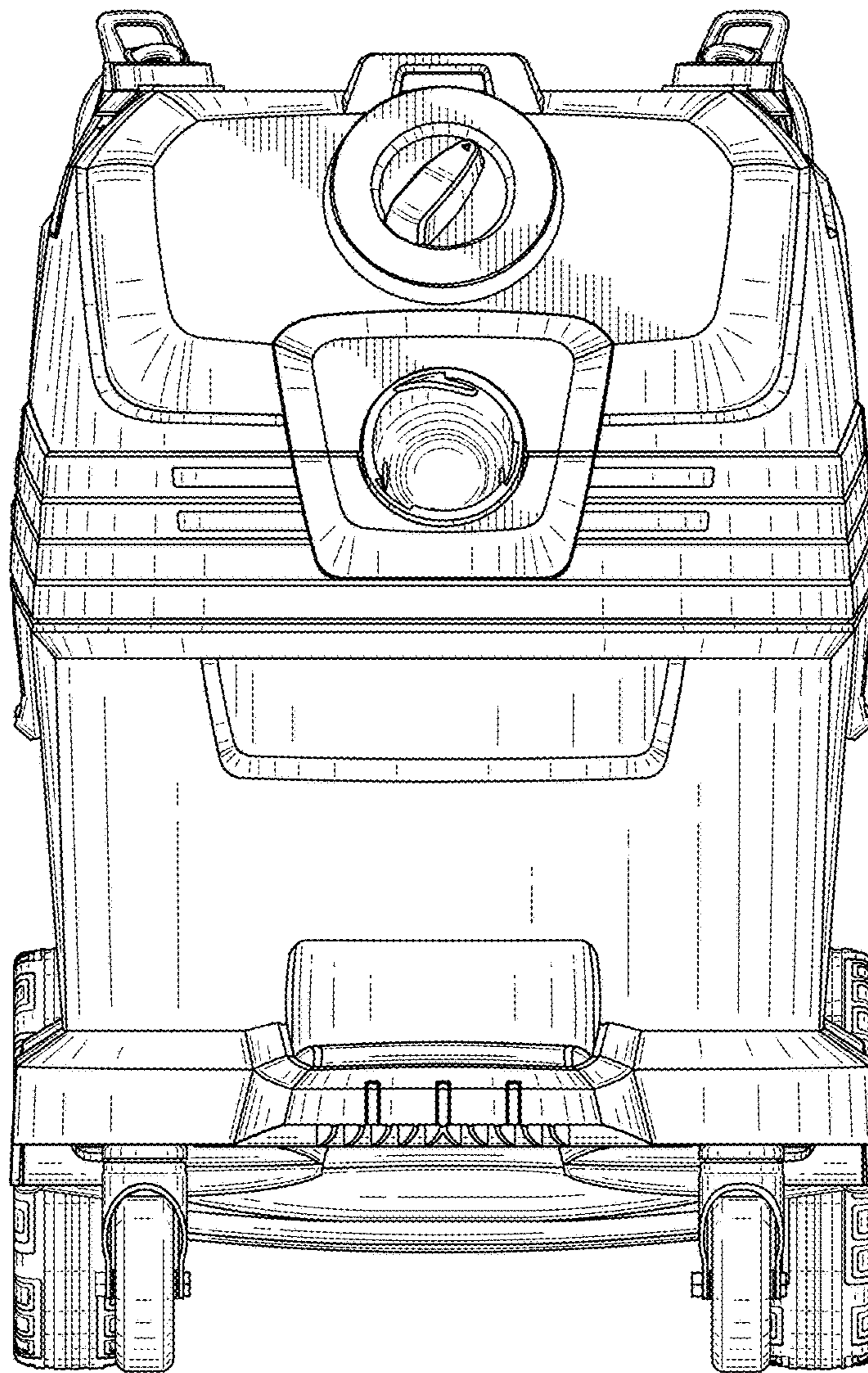


FIG. 3

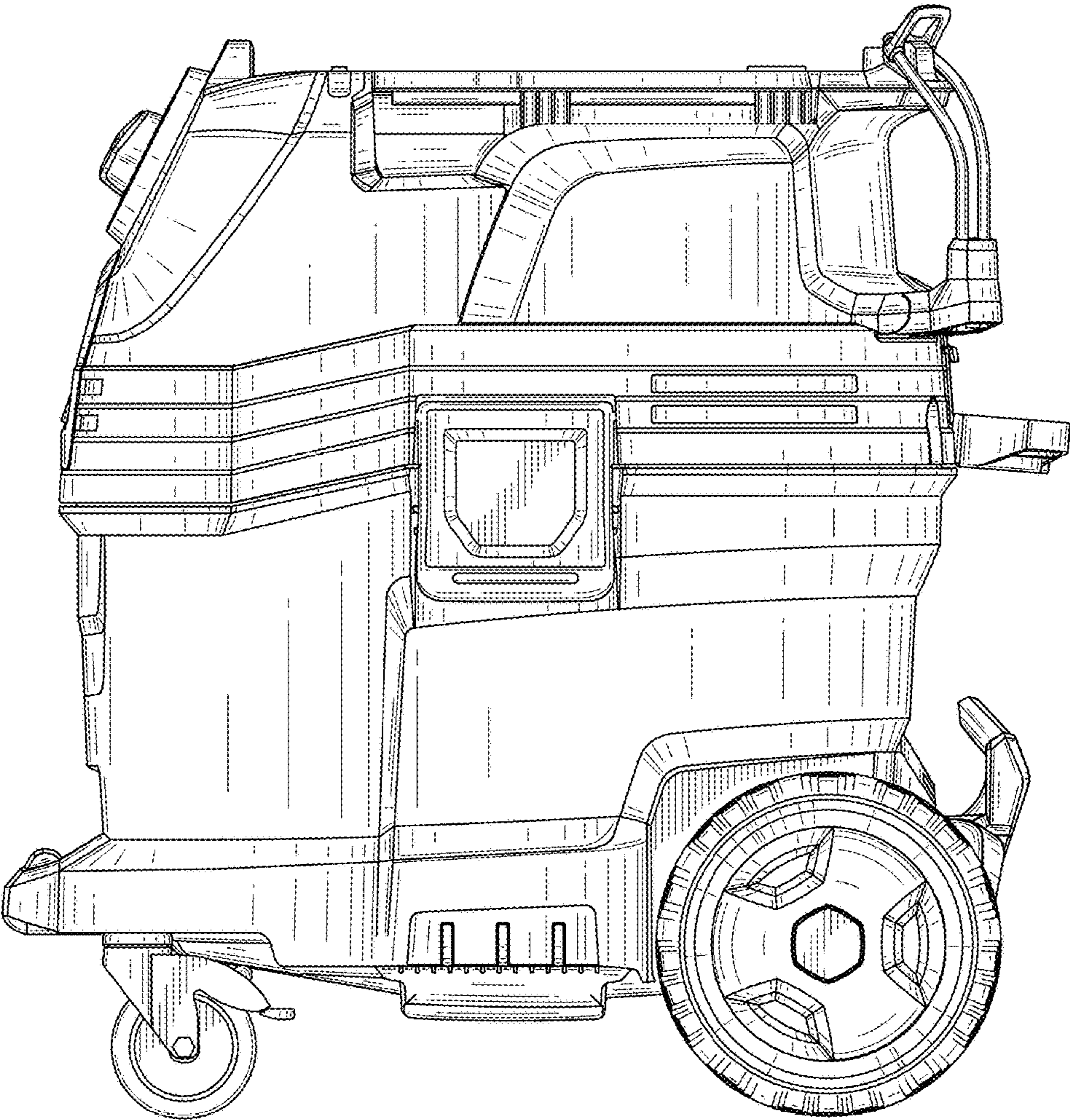


FIG. 4

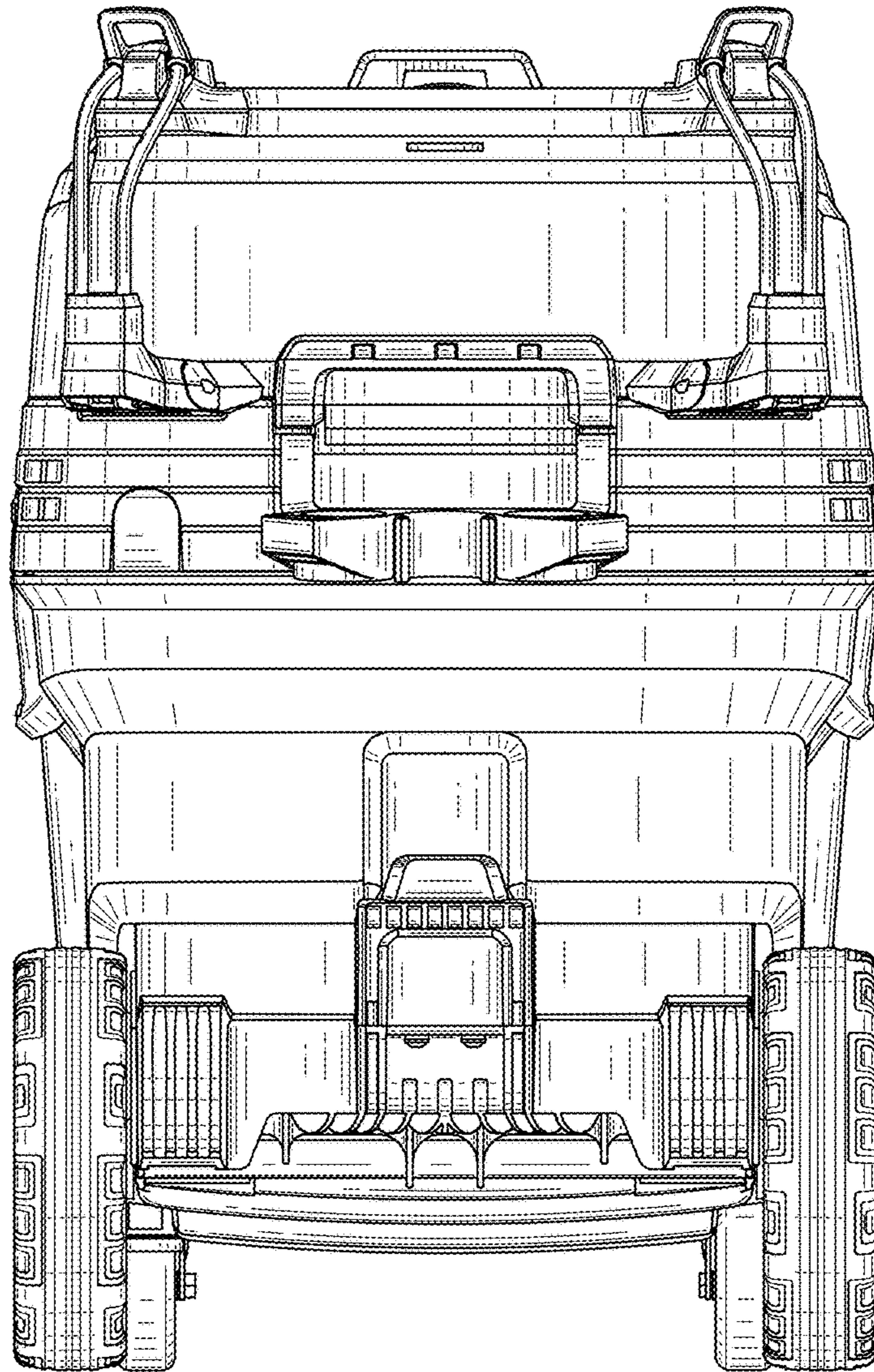


FIG. 5

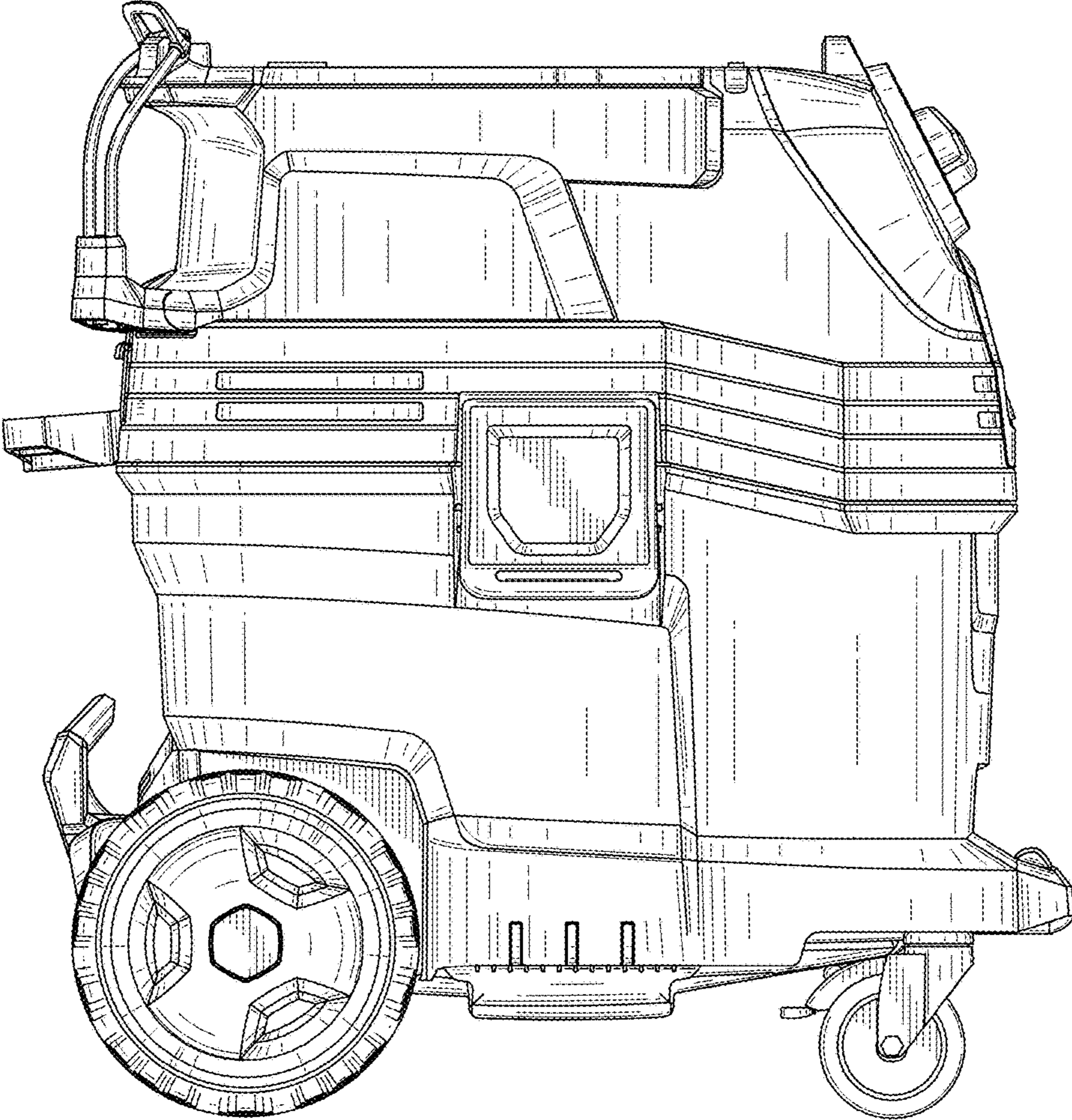


FIG. 6

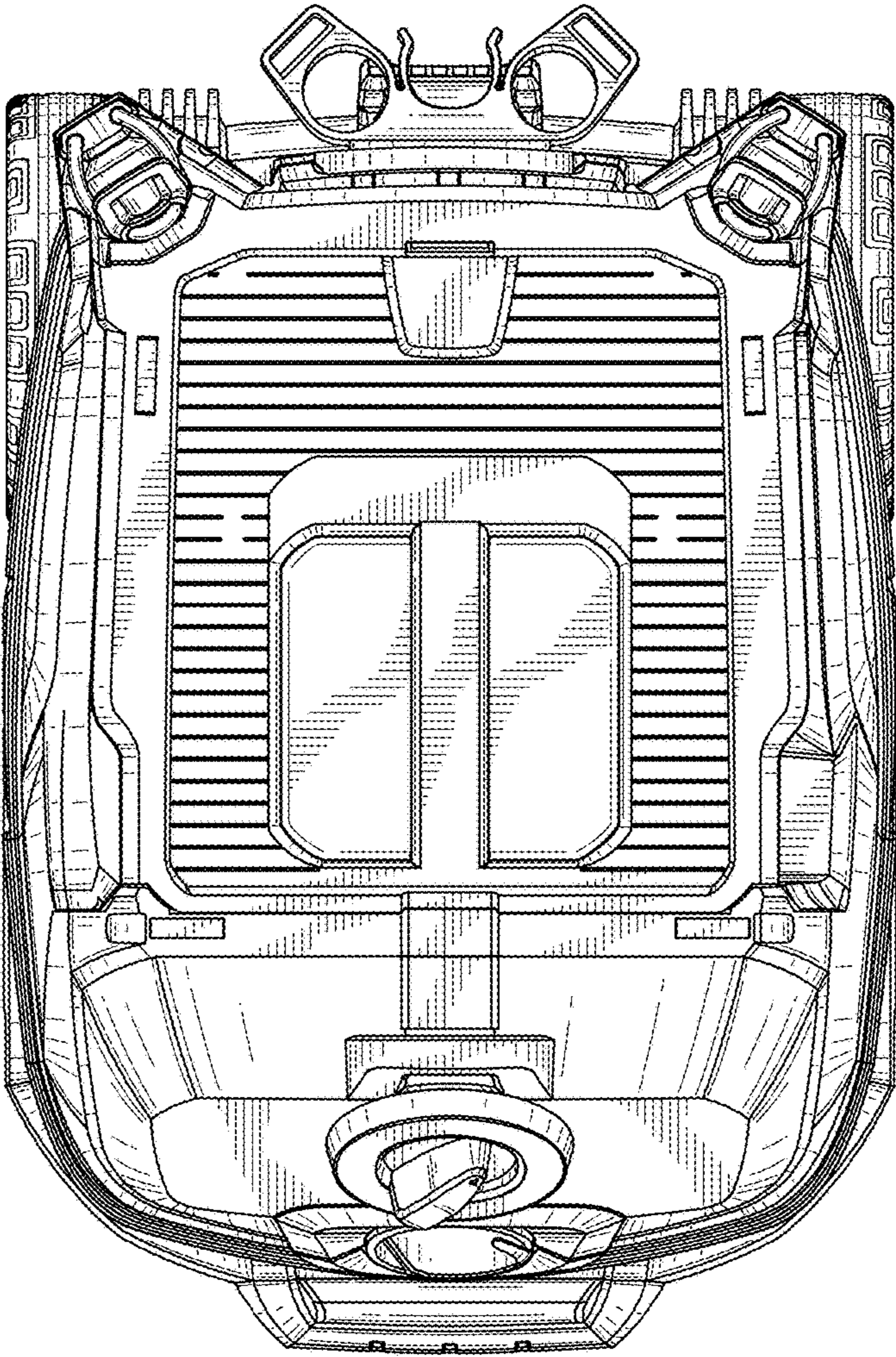


FIG. 7