



US00D802858S

(12) **United States Design Patent** (10) **Patent No.:** **US D802,858 S**  
**Cadamuro et al.** (45) **Date of Patent:** **\*\* Nov. 14, 2017**

(54) **DISHWASHER**

(71) Applicant: **Electrolux Professional S.p.A.**,  
Pordenone (IT)

(72) Inventors: **Michele Cadamuro**, Pordenone (IT);  
**Daide Benvenuti**, Pordenone (IT);  
**Leonardo Yoshio Hatamura**,  
Stockholm (SE)

(73) Assignee: **Electrolux Professional S.p.A.**,  
Pordenone (IT)

(\*\*) Term: **15 Years**

(21) Appl. No.: **29/574,895**

(22) Filed: **Aug. 19, 2016**

(51) **LOC (10) Cl.** ..... **15-05**

(52) **U.S. Cl.**  
USPC ..... **D32/2**

(58) **Field of Classification Search**  
USPC ..... D32/1, 2, 3; D15/91; D7/349, 405-406  
CPC ..... A47L 15/0076; A47L 15/0078; A47L  
15/0081

See application file for complete search history.

(56) **References Cited**

**U.S. PATENT DOCUMENTS**

D205,466 S *	8/1966	Meeker et al.	74/543
4,073,555 A *	2/1978	Noren	A47L 15/0081
			134/58 DL
4,228,923 A *	10/1980	Barnard	F25C 5/002
			222/146.6
D271,532 S *	11/1983	Lee	D32/2
6,109,043 A *	8/2000	Lu	F25C 1/12
			62/135
6,112,533 A *	9/2000	Kato	F25C 1/12
			62/188

D543,321 S *	5/2007	Jeon	D32/2
D771,883 S *	11/2016	Fueglein	D32/2
D781,930 S *	3/2017	Ward	D15/79
2002/0020177 A1 *	2/2002	Billman	F25C 1/12
			62/135
2003/0145608 A1 *	8/2003	Billman	F25C 1/12
			62/74
2014/0015393 A1 *	1/2014	Meyers	A47B 91/005
			312/351.1
2016/0138846 A1 *	5/2016	Kim	F25C 5/182
			62/344

**OTHER PUBLICATIONS**

Co-Pending U.S. Appl. No. 29/553,898, filed Feb. 5, 2016.

\* cited by examiner

*Primary Examiner* — Michael A. Pratt

*Assistant Examiner* — Michelle E Wilson

(74) *Attorney, Agent, or Firm* — Pearne & Gordon LLP

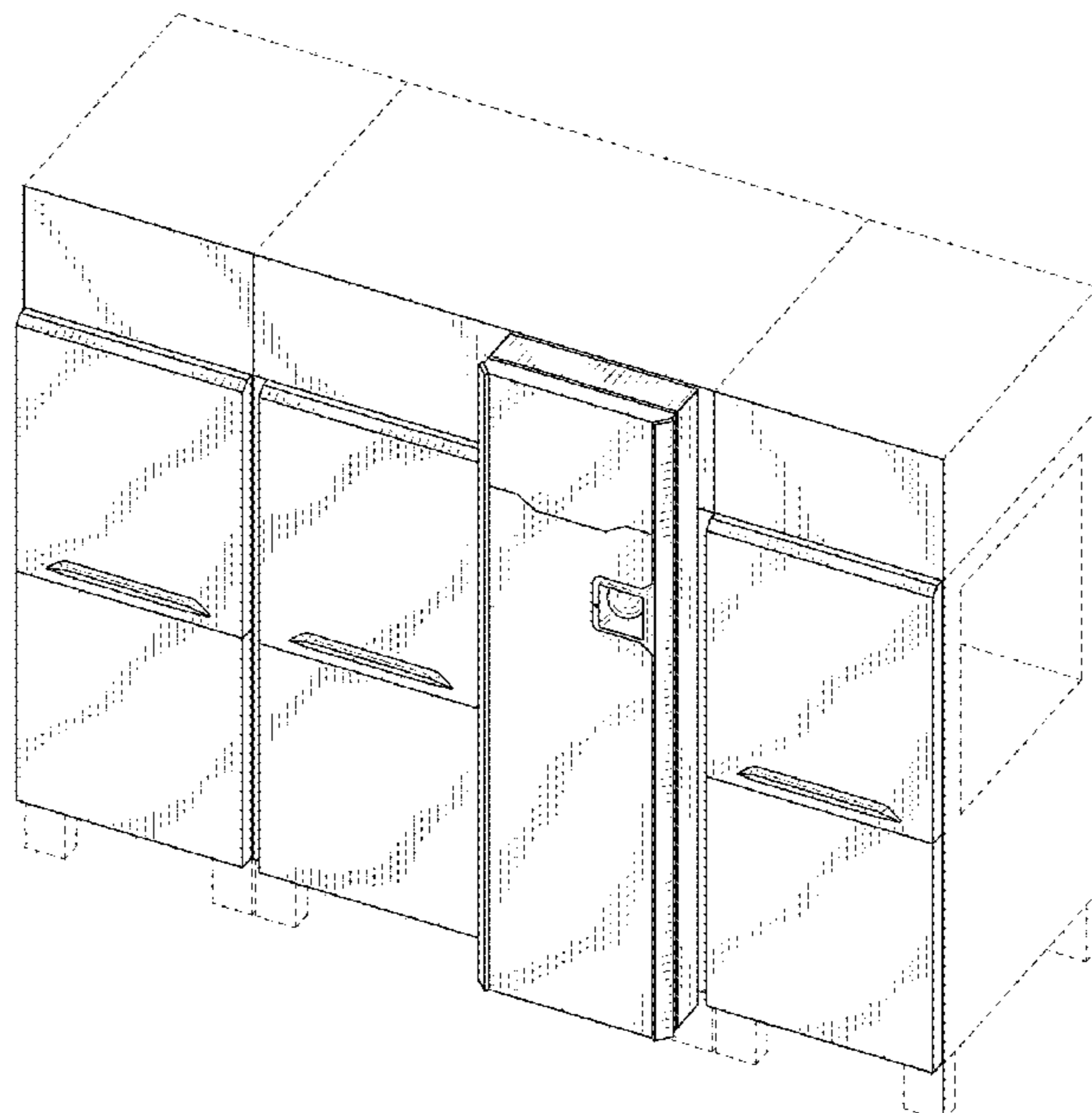
(57) **CLAIM**

The ornamental design for a dishwasher, as shown and described.

**DESCRIPTION**

FIG. 1 is a front perspective view of our new invention;  
 FIG. 2 is a front view thereof;  
 FIG. 3 is a left side view thereof;  
 FIG. 4 is a right side view thereof;  
 FIG. 5 is a top view thereof;  
 FIG. 6 is a bottom view thereof; and,  
 FIG. 7 is a rear view thereof.  
 The broken lines shown in the drawings illustrate portions of the dishwasher that form no part of the claimed design.

**1 Claim, 6 Drawing Sheets**



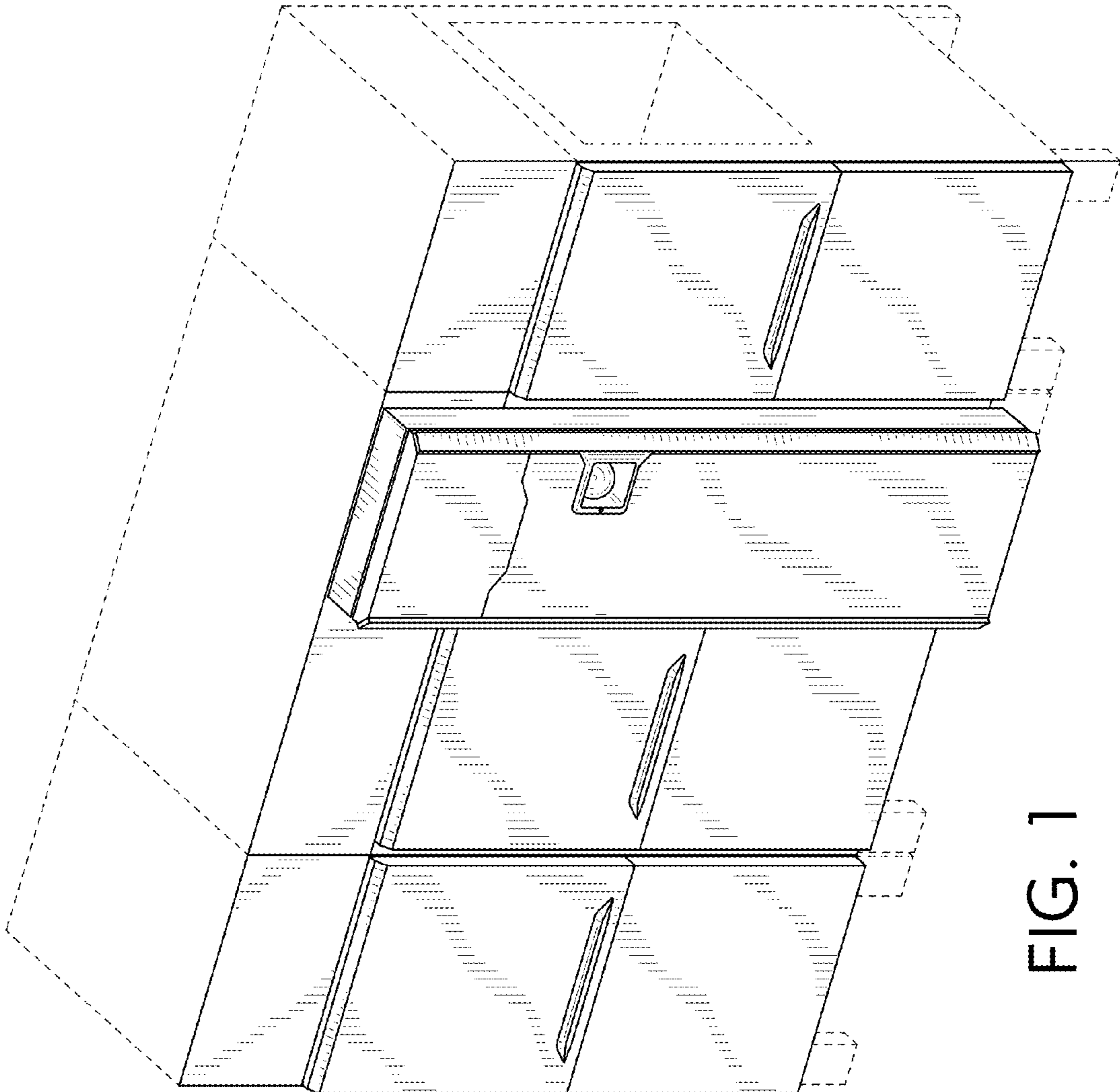


FIG. 1

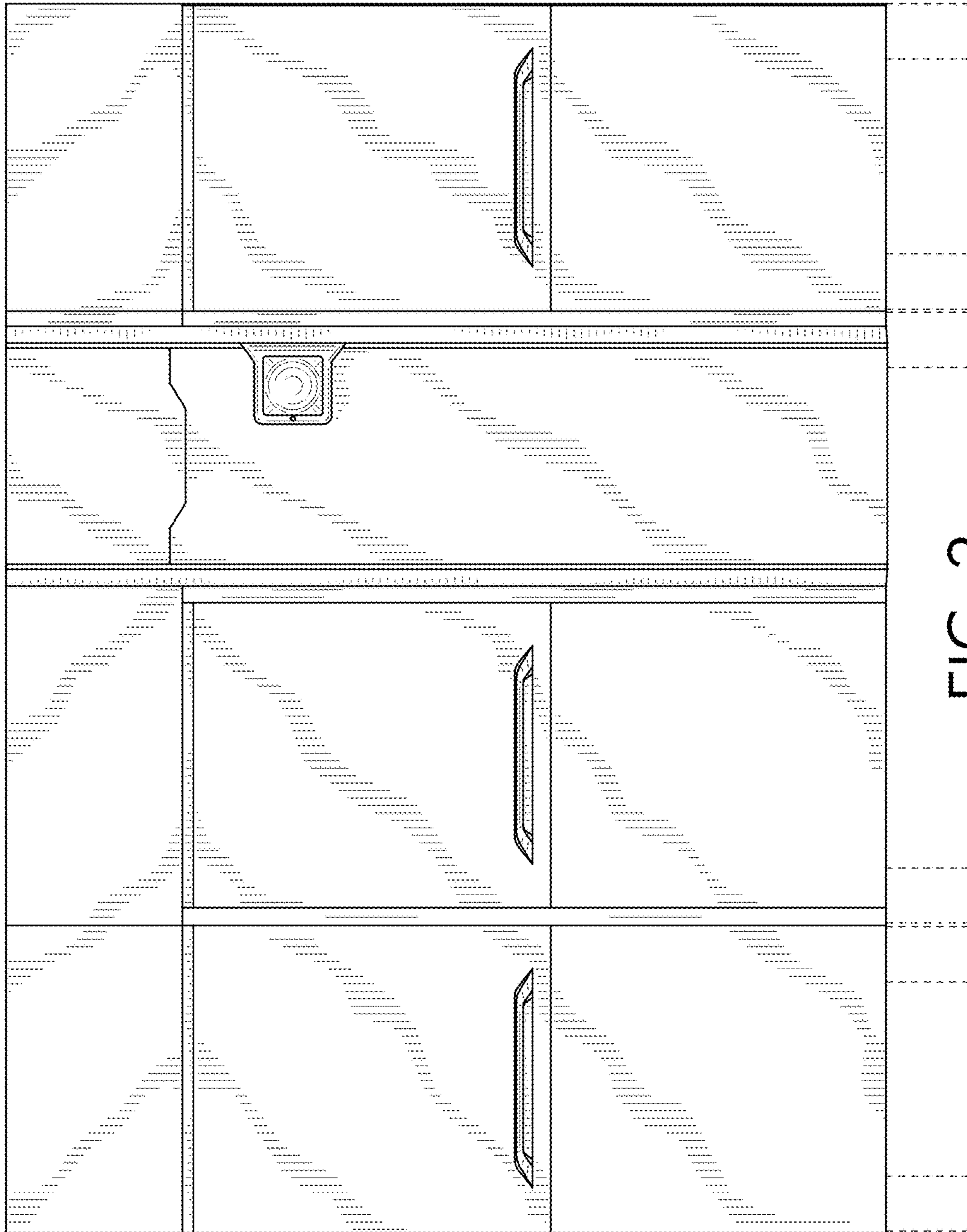


FIG. 2

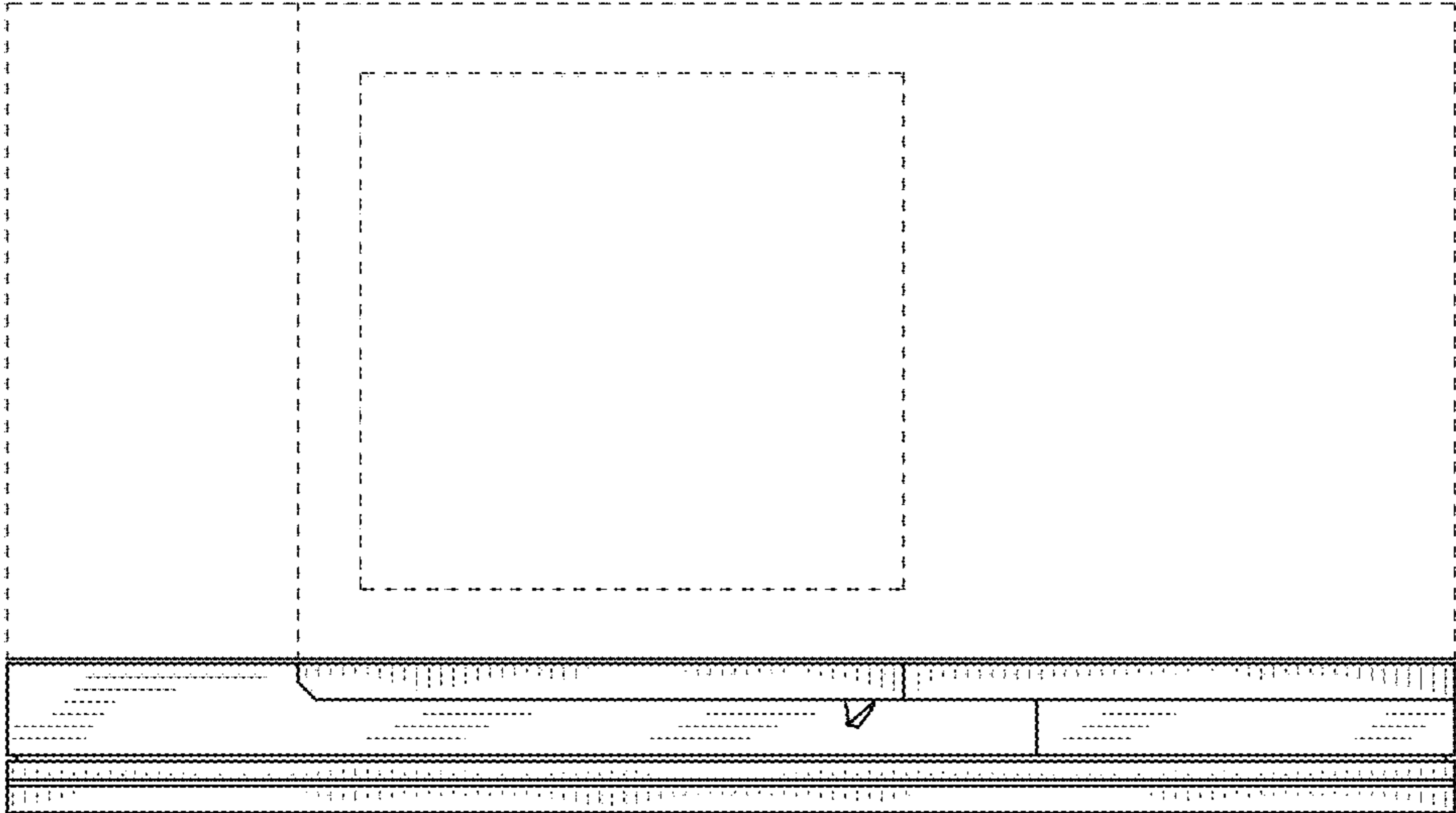


FIG. 4

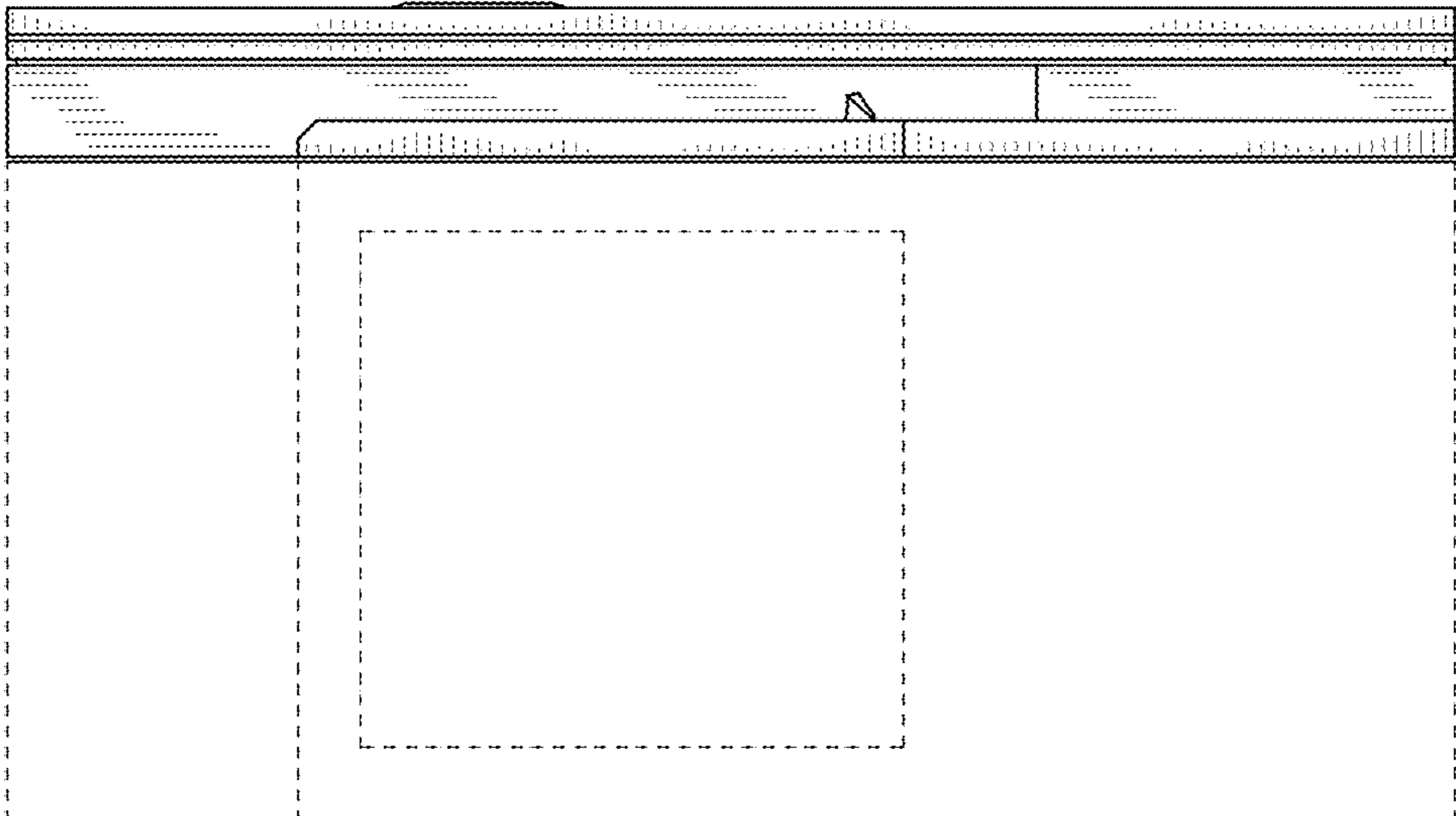


FIG. 3

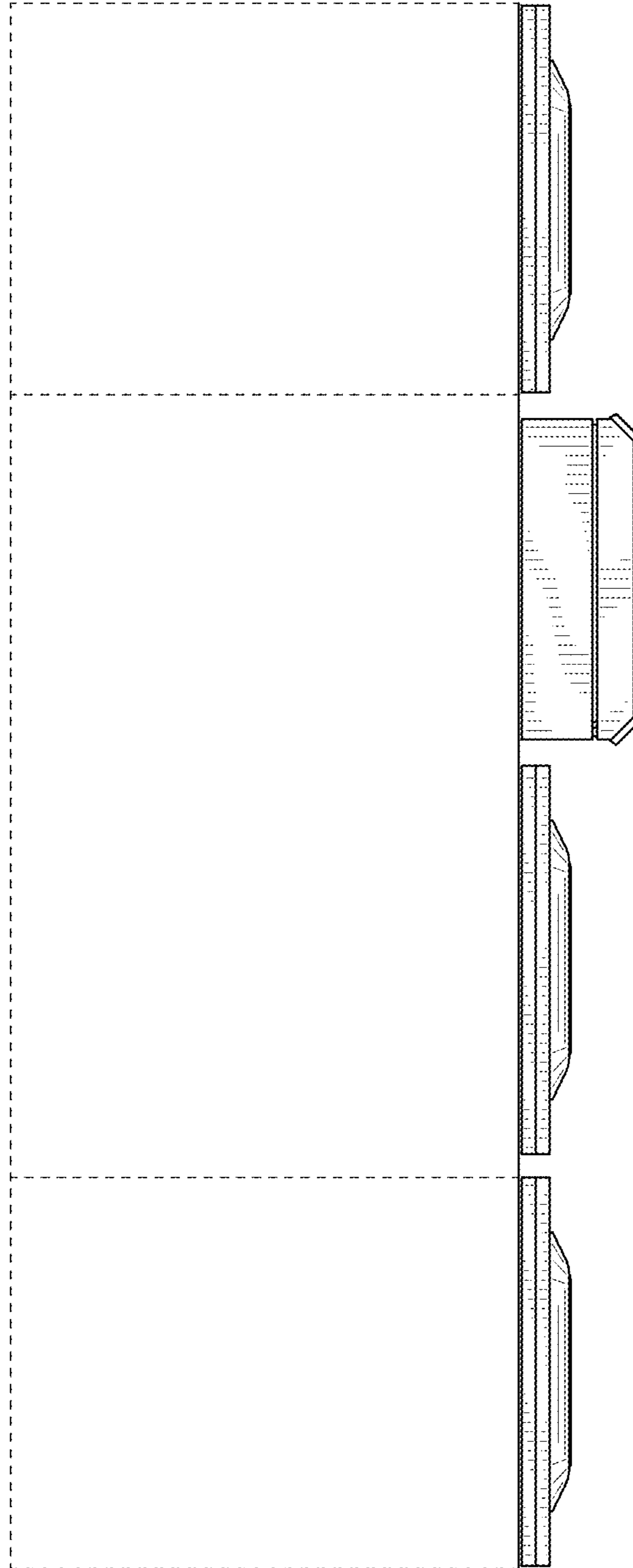


FIG. 5

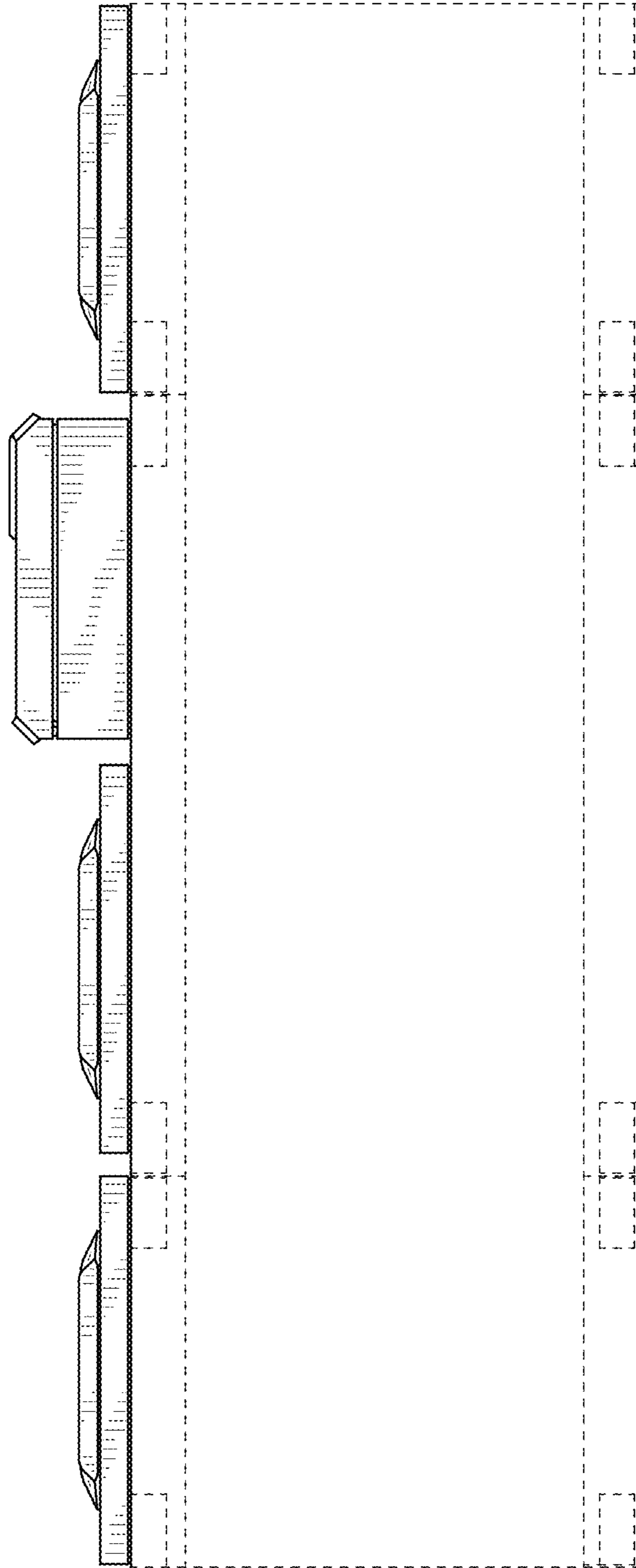


FIG. 6





FIG. 7

UNITED STATES PATENT AND TRADEMARK OFFICE  
**CERTIFICATE OF CORRECTION**

PATENT NO. : D802,858 S  
APPLICATION NO. : 29/574895  
DATED : November 14, 2017  
INVENTOR(S) : Michele Cadamuro et al.

Page 1 of 1

It is certified that error appears in the above-identified patent and that said Letters Patent is hereby corrected as shown below:

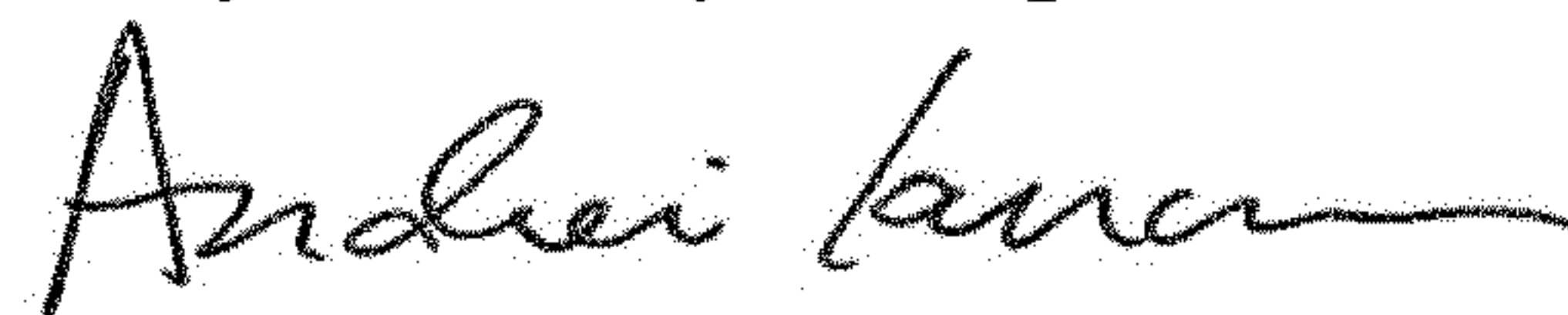
On the Title Page

Please add the Foreign Application Priority Data under item (30), as follows:

(30) Foreign Application Priority Data

February 22, 2016 (EP) ..... 002996231-0001

Signed and Sealed this  
Twenty-fifth Day of September, 2018



Andrei Iancu  
*Director of the United States Patent and Trademark Office*