



US00D802857S

(12) **United States Design Patent**  
**Cadamuro et al.**

(10) **Patent No.:** **US D802,857 S**  
(45) **Date of Patent:** **\*\* Nov. 14, 2017**

(54) <b>DISHWASHER</b>	4,228,923 A * 10/1980 Barnard ..... F25C 5/002 222/146.6
(71) Applicant: <b>Electrolux Professional S.p.A.</b> , Pordenone (IT)	D271,532 S * 11/1983 Lee ..... D32/2 6,109,043 A * 8/2000 Lu ..... F25C 1/12 62/135
(72) Inventors: <b>Michele Cadamuro</b> , Pordenone (IT); <b>Daive Benvenuti</b> , Pordenone (IT); <b>Leandro Lapietra</b> , Pordenone (IT)	6,112,533 A * 9/2000 Kato ..... F25C 1/12 62/188 D543,321 S * 5/2007 Jeon ..... D32/2 D771,883 S * 11/2016 Fueglein ..... D32/2 D781,930 S * 3/2017 Ward ..... D15/79
(73) Assignee: <b>Electrolux Professional S.p.A.</b> , Pordenone (IT)	2002/0020177 A1 * 2/2002 Billman ..... F25C 1/12 62/135 2003/0145608 A1 * 8/2003 Billman ..... F25C 1/12 62/74 2014/0015393 A1 * 1/2014 Meyers ..... A47B 91/005 312/351.1 2016/0138846 A1 * 5/2016 Kim ..... F25C 5/182 62/344
(**) Term: <b>15 Years</b>	
(21) Appl. No.: <b>29/574,892</b>	
(22) Filed: <b>Aug. 19, 2016</b>	

(30) **Foreign Application Priority Data**

Feb. 29, 2016 (CN) .....	201630054444.3
Feb. 29, 2016 (CN) .....	201630054445.8
Feb. 29, 2016 (CN) .....	201630054446.2

(51) **LOC (10) Cl.** ..... **15-05**

(52) **U.S. Cl.**  
USPC ..... **D32/2**

(58) **Field of Classification Search**  
USPC ..... D32/2, 6, 8, 10, 25; D7/340, 348;  
D15/79, 80  
CPC .... A47L 15/22; A47L 15/449; A47L 15/4463;  
A47L 15/4445; A47L 15/4295; A47L  
15/0055; A47L 15/0057; A47L 2301/04;  
A47L 2501/07; A47L 15/0081; A47B  
91/005; F25C 1/12; F25C 5/002; F25C  
5/182

See application file for complete search history.

(56) **References Cited**

**U.S. PATENT DOCUMENTS**

D205,466 S * 8/1966 Meeker et al. ....	74/543
4,073,555 A * 2/1978 Noren .....	A47L 15/0081 134/58 DL

**OTHER PUBLICATIONS**

Co-Pending U.S. Appl. No. 29/553,898, filed Feb. 5, 2016.

\* cited by examiner

*Primary Examiner* — Michael A. Pratt  
*Assistant Examiner* — Michelle E Wilson  
(74) *Attorney, Agent, or Firm* — Pearne & Gordon LLP

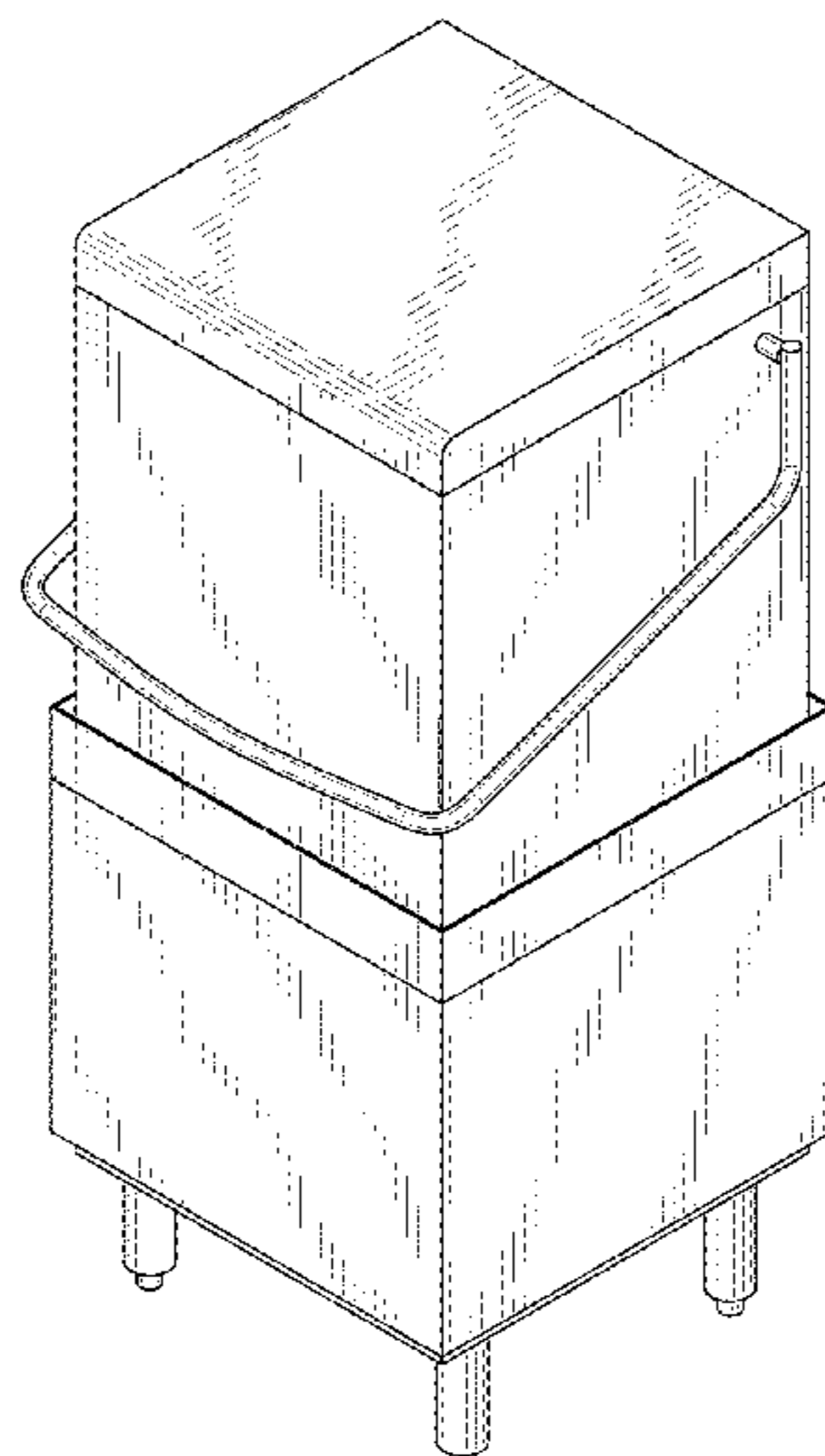
(57) **CLAIM**

The ornamental design for a dishwasher, as shown and described.

**DESCRIPTION**

FIG. 1 is a front perspective view of our new invention;  
FIG. 2 is a front view thereof;  
FIG. 3 is a left side view thereof;  
FIG. 4 is a right side view thereof;  
FIG. 5 is a top view thereof;  
FIG. 6 is a bottom view thereof; and,  
FIG. 7 is a rear view thereof.

**1 Claim, 3 Drawing Sheets**



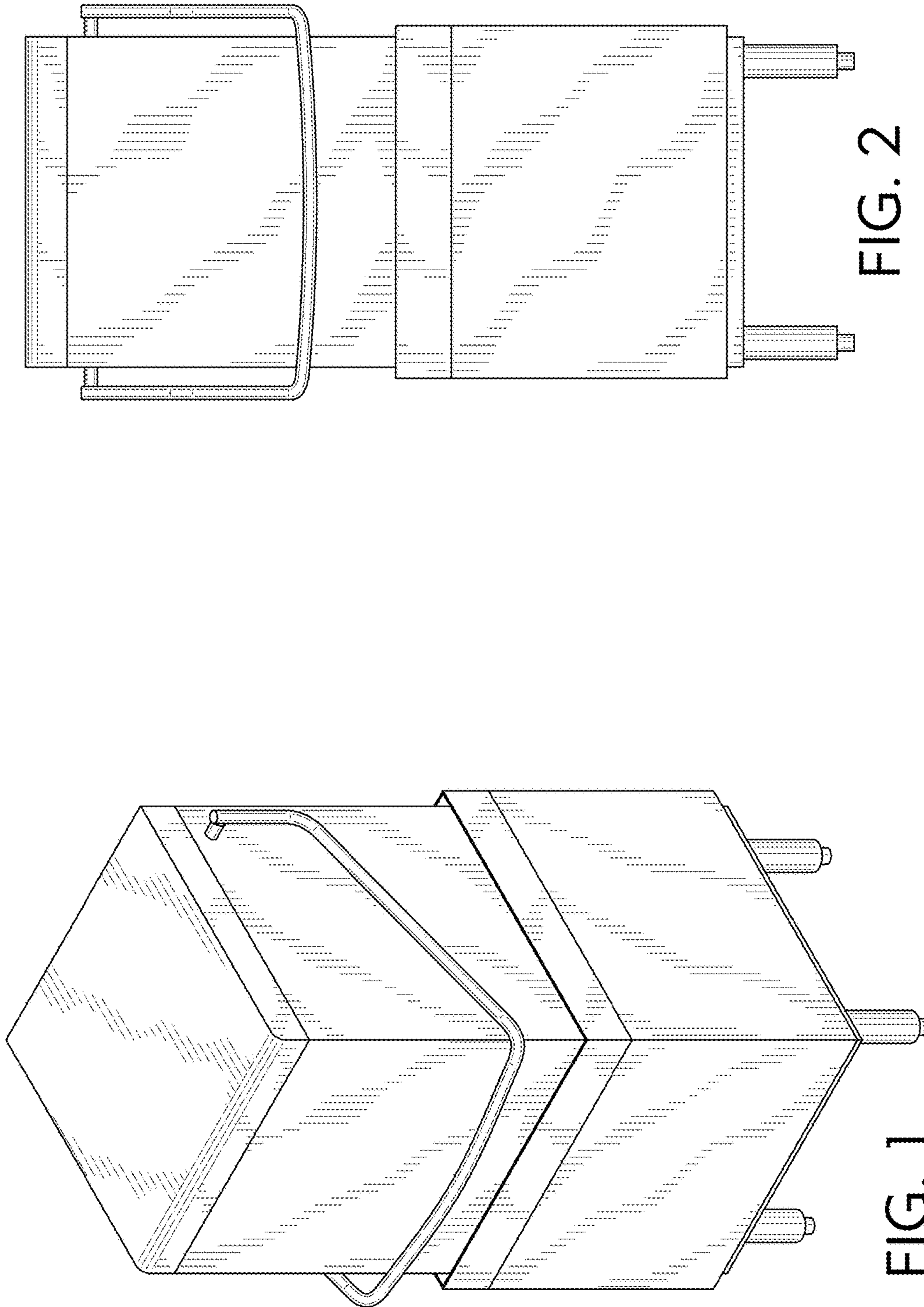


FIG. 2

FIG. 1

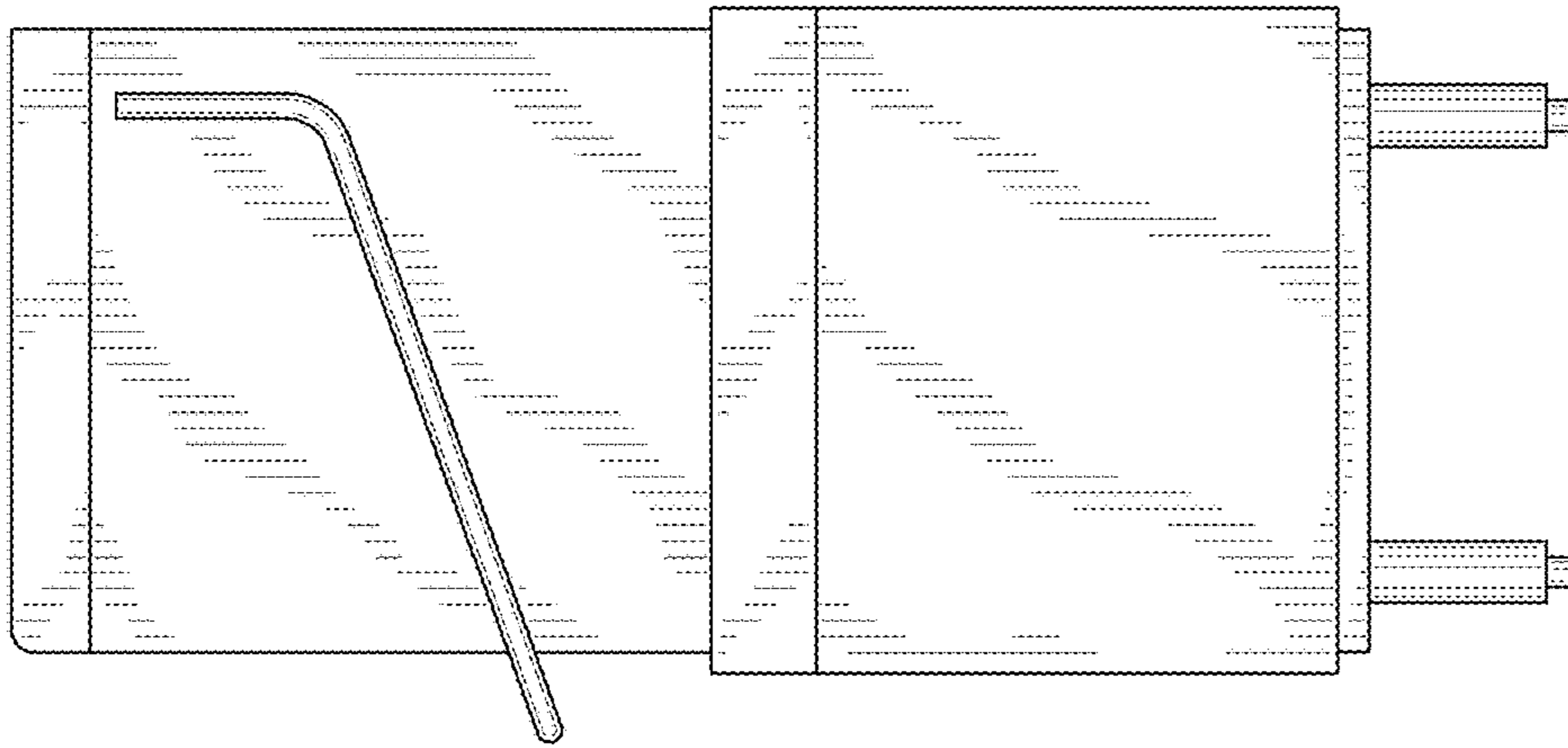


FIG. 4

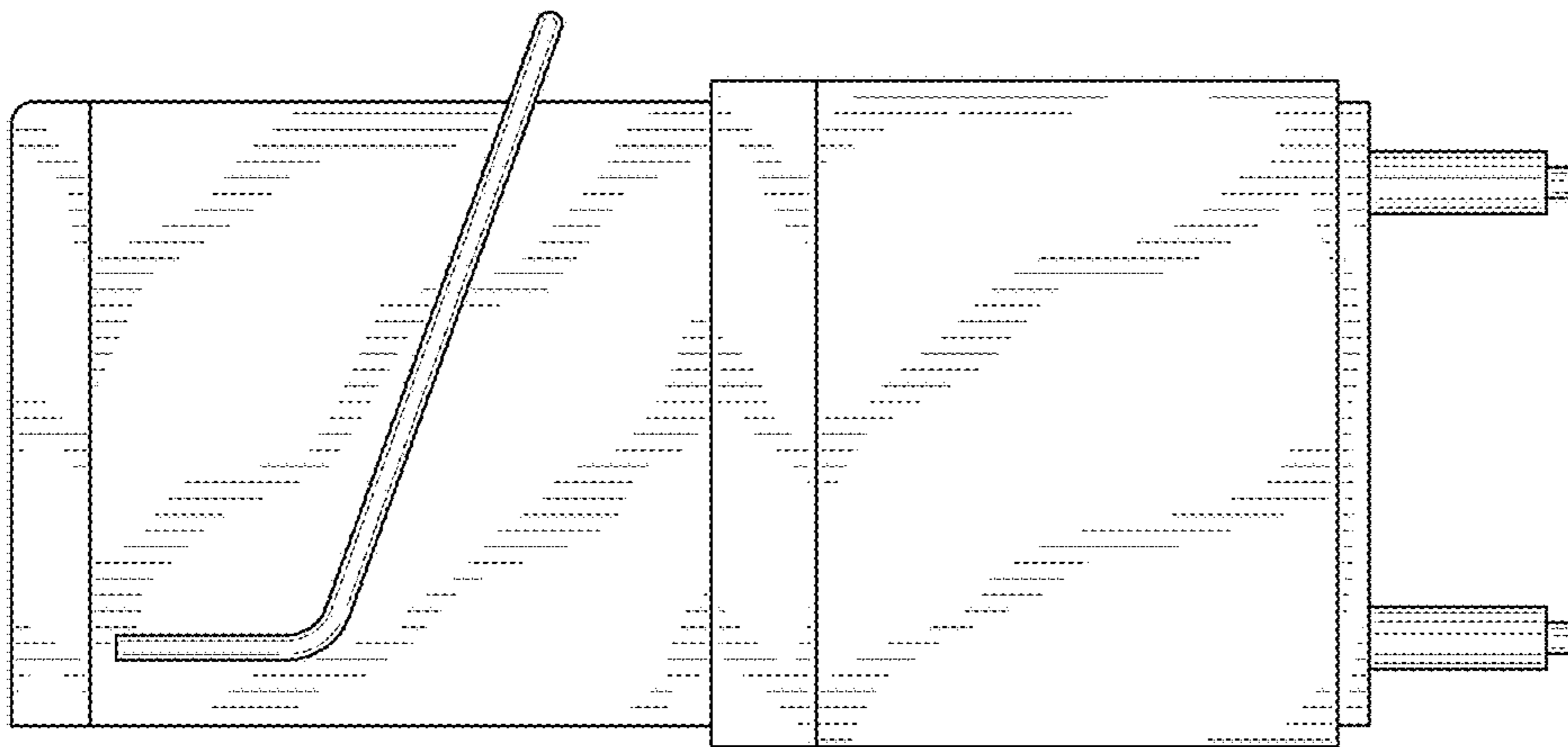


FIG. 3

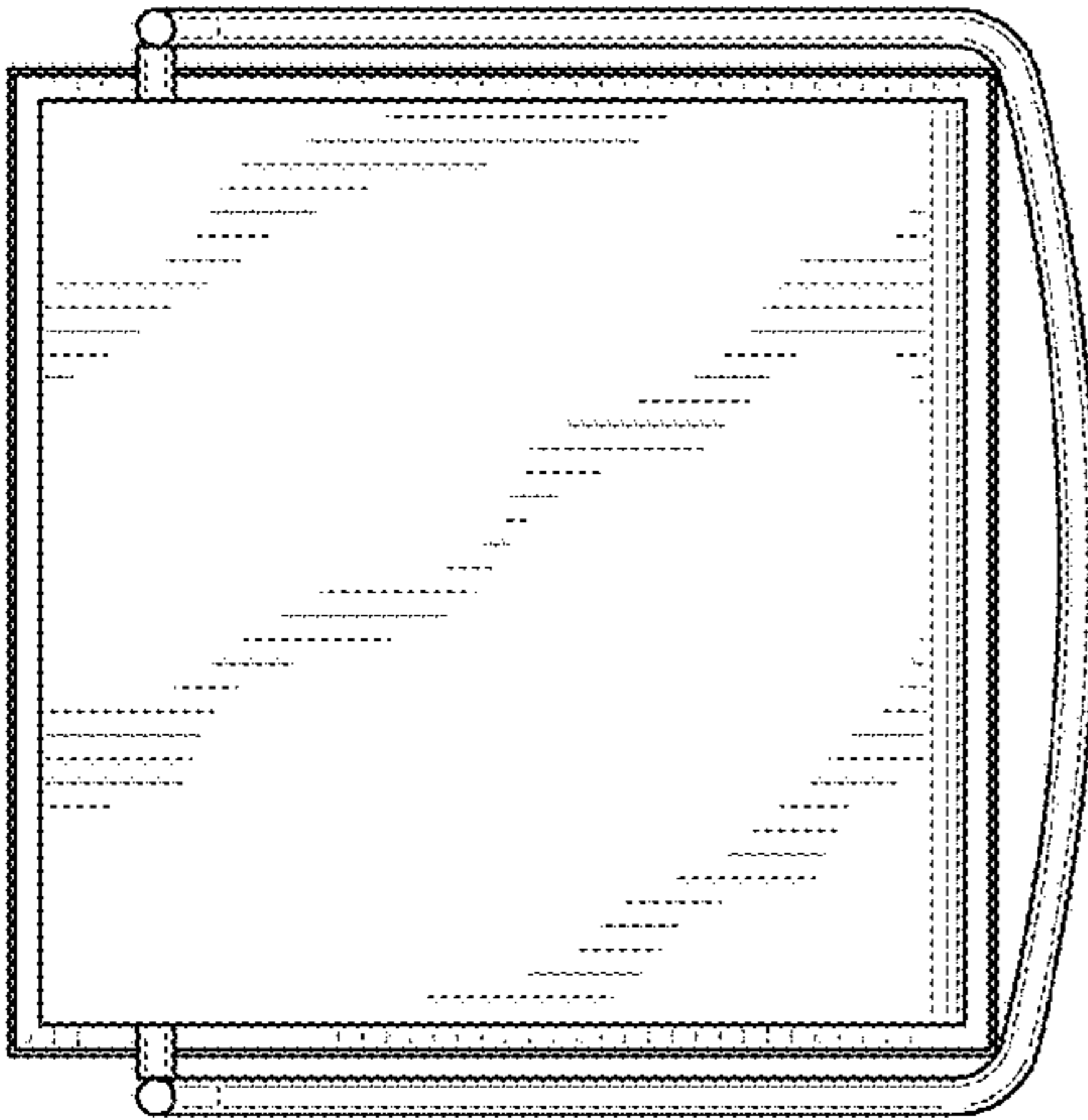


FIG. 5

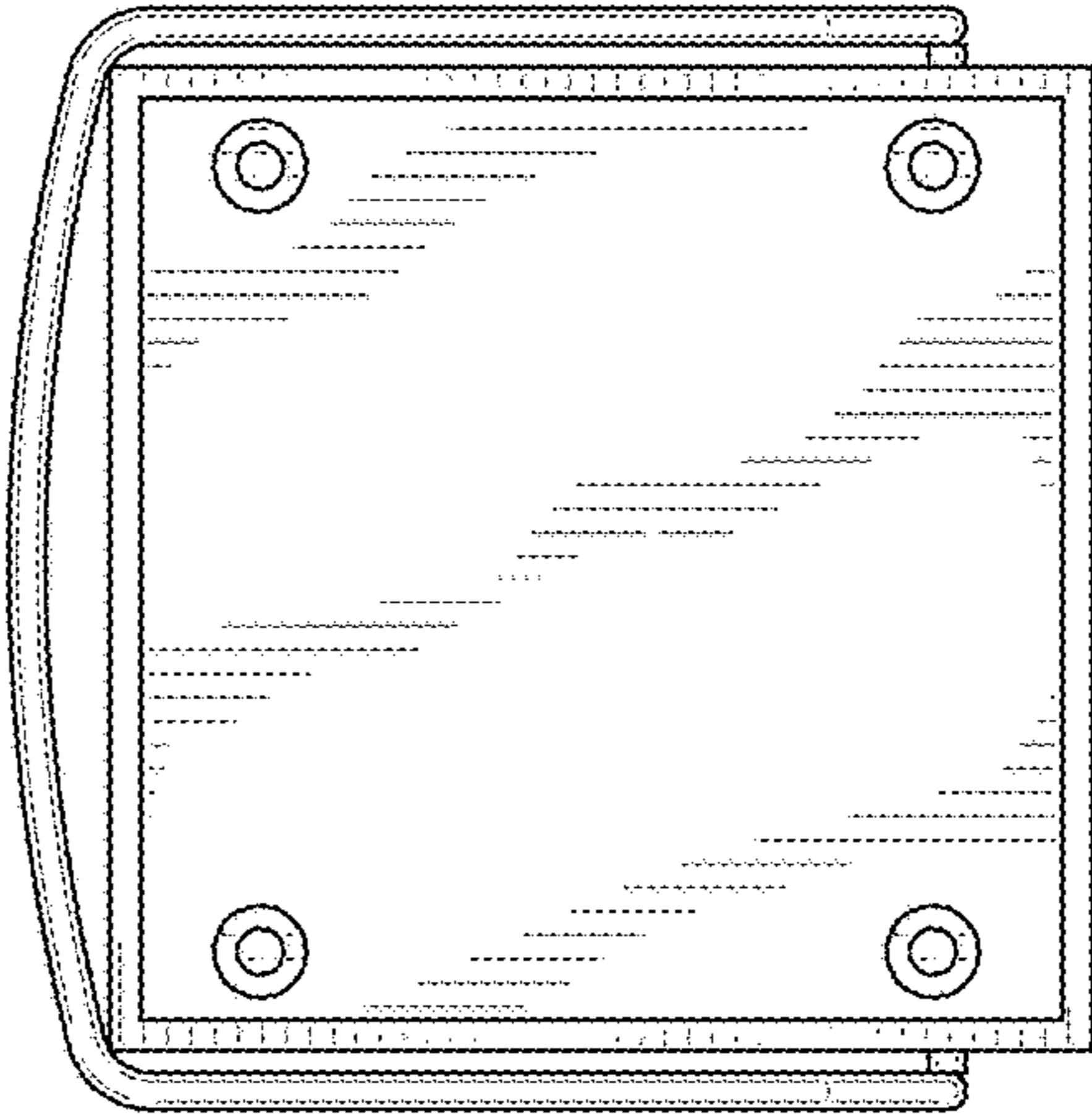


FIG. 6

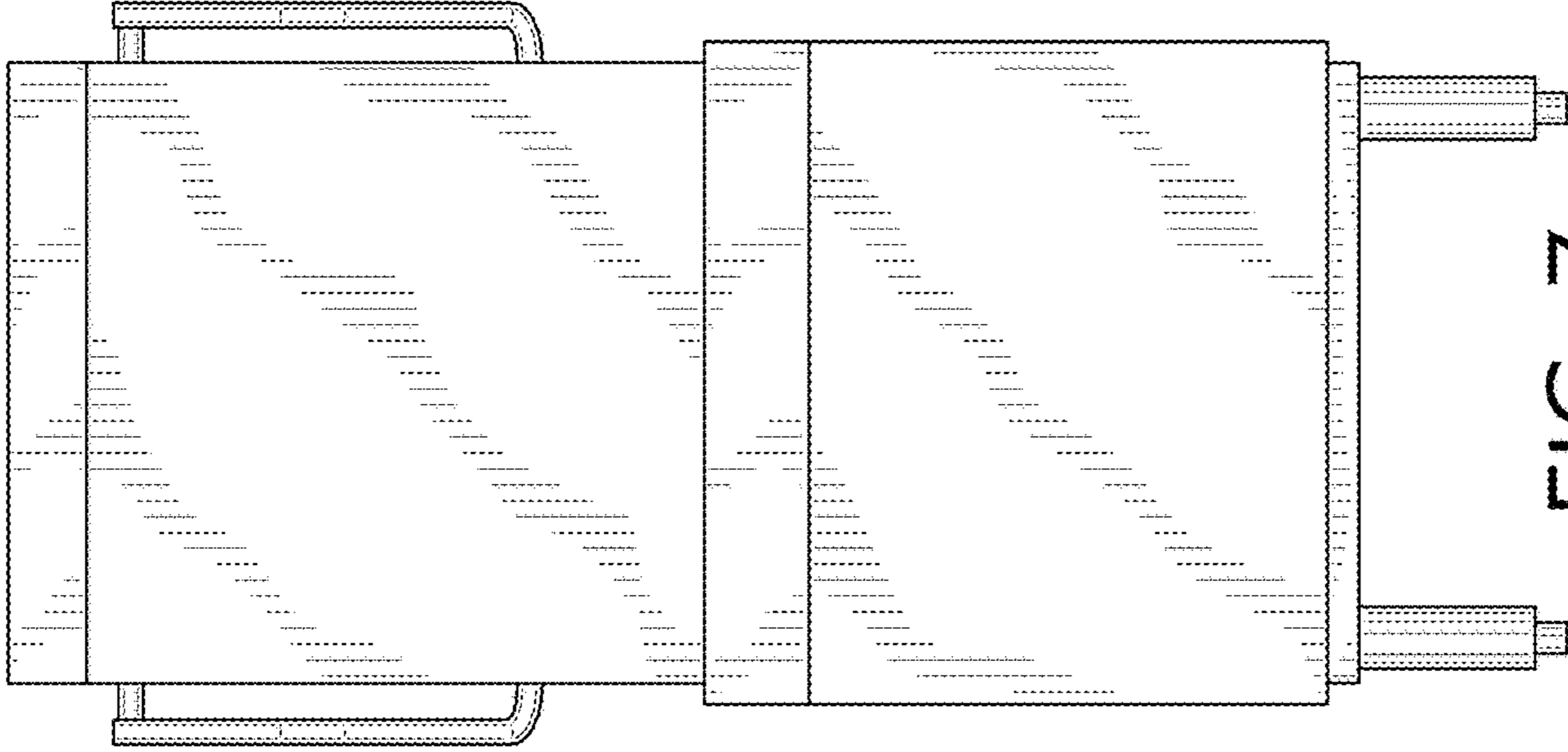


FIG. 7