



US00D802855S

(12) **United States Design Patent** (10) **Patent No.:** **US D802,855 S**
Pegago (45) **Date of Patent:** **** Nov. 14, 2017**

- (54) **HOUSETRAINING SHIRT FOR PETS**
- (71) Applicant: **Donna Pegago**, Cox's Creek, KY (US)
- (72) Inventor: **Donna Pegago**, Cox's Creek, KY (US)
- (**) Term: **14 Years**
- (21) Appl. No.: **29/518,070**
- (22) Filed: **Feb. 19, 2015**
- (51) **LOC (10) Cl.** **30-01**
- (52) **U.S. Cl.**
USPC **D30/145**
- (58) **Field of Classification Search**
USPC D30/121, 144, 145, 154, 160, 161, 199;
119/654, 712, 769, 770, 792, 793, 795,
119/850, 856, 858, 863, 868; 2/102, 171,
2/181.4, 184.5, 202, 207, 467; 54/79.1,
54/79.2, 79.3, 79.4, 80.1; 602/60, 61
CPC A01K 13/00; A01K 13/006; A01K 13/008;
A01K 23/00; A01K 29/00
See application file for complete search history.

(56) **References Cited**

U.S. PATENT DOCUMENTS

2,417,803	A *	3/1947	De Mar	A01K 13/006
					119/850
4,355,600	A *	10/1982	Zielinski	A61D 9/00
					119/850
5,537,954	A *	7/1996	Beeghly	A01K 13/006
					119/850
D586,509	S *	2/2009	Kok-Duson	D30/145
D615,711	S *	5/2010	Van Sice	D30/145
D693,523	S *	11/2013	Kok-Duson	D30/145
D708,403	S *	7/2014	Scoccola	D30/145
8,985,062	B1 *	3/2015	Syberg	A61D 9/00
					119/850
D740,498	S *	10/2015	Zakowicz	D30/145
D747,048	S *	1/2016	Ketzenberg	D30/145

2007/0289558	A1 *	12/2007	Bonfoey	A01K 13/006
					119/850
2013/0036989	A1 *	2/2013	Pesale	A01K 23/00
					119/850
2015/0305308	A1 *	10/2015	Komatsubara	A01K 23/00
					119/868

OTHER PUBLICATIONS

“Medical Pet Shirt for Dogs”. Found online Mar. 31, 2016 at dfordog.co.uk. Page dated Sep. 14, 2012. Retrieved from <http://www.dfordog.co.uk/medical-pet-shirts/action/reviews/>.*

“Surgi Snuggly E-Collar Alternative”. Found online Jan. 14, 2016 at amazon.com. Page dated Nov. 15, 2013. Retrieved from http://www.amazon.com/Surgi-Snuggly-Alternative-Veterinarian-Specifically/dp/B00DQ3X1Z4/ref=cm_cr_pr_product_top?ie=UTF8.*

(Continued)

Primary Examiner — Robert M Spear
Assistant Examiner — Kendra L Hamilton

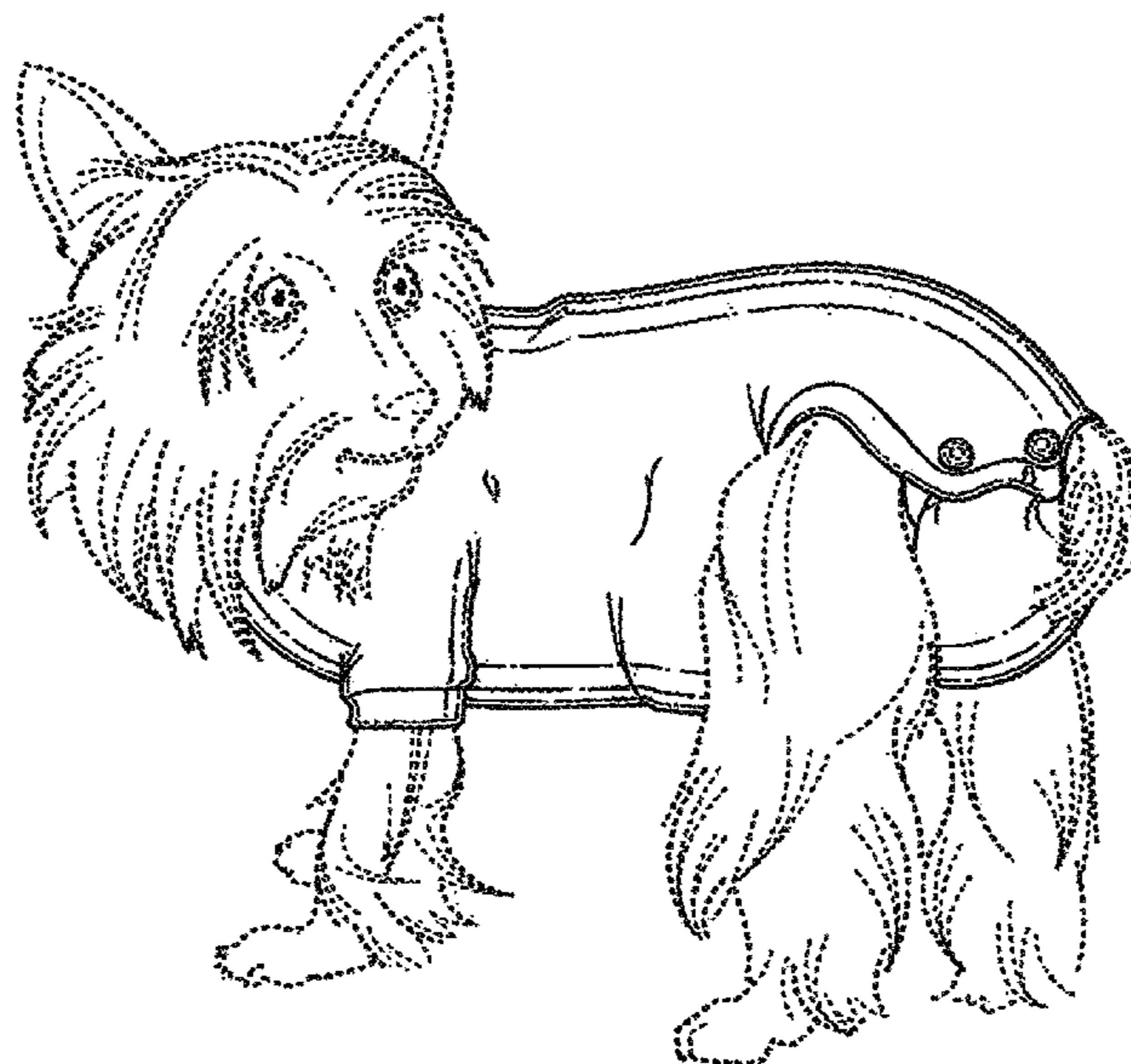
(57) **CLAIM**

The ornamental design for a housetraining shirt for pets, as shown and described.

DESCRIPTION

FIG. 1 is a side view of the housetraining shirt for pets; FIG. 2 is a bottom plan view of the housetraining shirt, shown removed from the pet; FIG. 3 is a top plan view thereof; FIG. 4 is a top plan view thereof, with the rearward portion folded open; FIG. 5 is a top plan view thereof, with the rearward portion and interior elements folded open; and, FIG. 6 is an enlarged side elevational view of the house-training shirt for pets of FIG. 5. The broken lines in FIG. 1 show a pet depict environment and forms no part of the claim.

1 Claim, 5 Drawing Sheets



(56)

References Cited

OTHER PUBLICATIONS

“Suitical Recovery Suit for Dogs in Pink Camo”. Found online Jan. 14, 2016 at amazon.com. Page dated Sep. 30, 2014. Retrieved from http://www.amazon.com/Suitical-Professional-alternative-Incontinence-Recommended/dp/B00NGWMDW2/ref=cm_cr_pr_product_top?ie=UTF8.*

“JamJacks Pet Bodysuit”. Found online Mar. 17, 2016 at jamjacks.co.uk. Page dated Feb. 6, 2014. Retrieved from <http://www.jamjacks.co.uk/product/jamjacks-pet-bodysuit/>.*

* cited by examiner

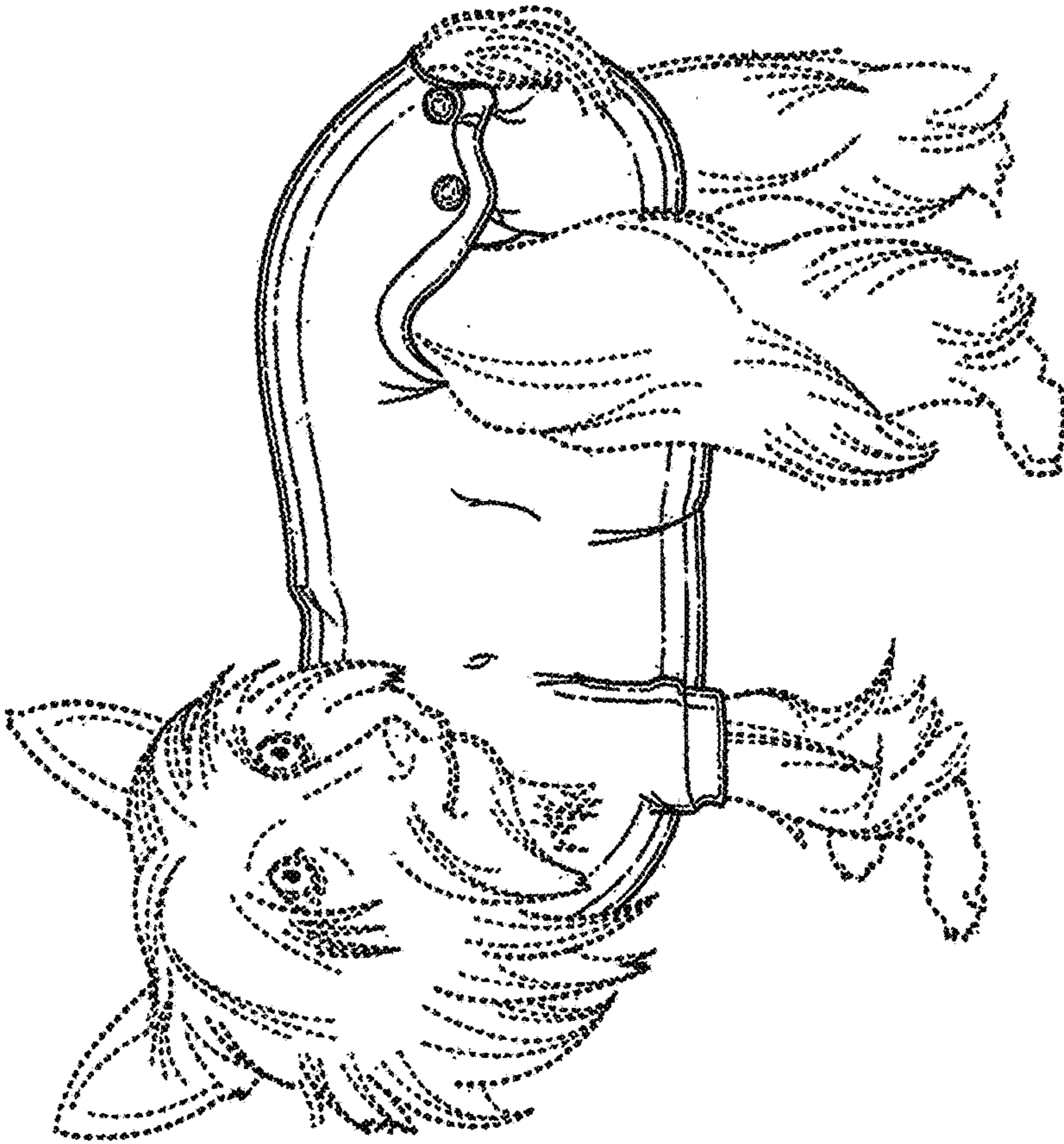


FIG. 1

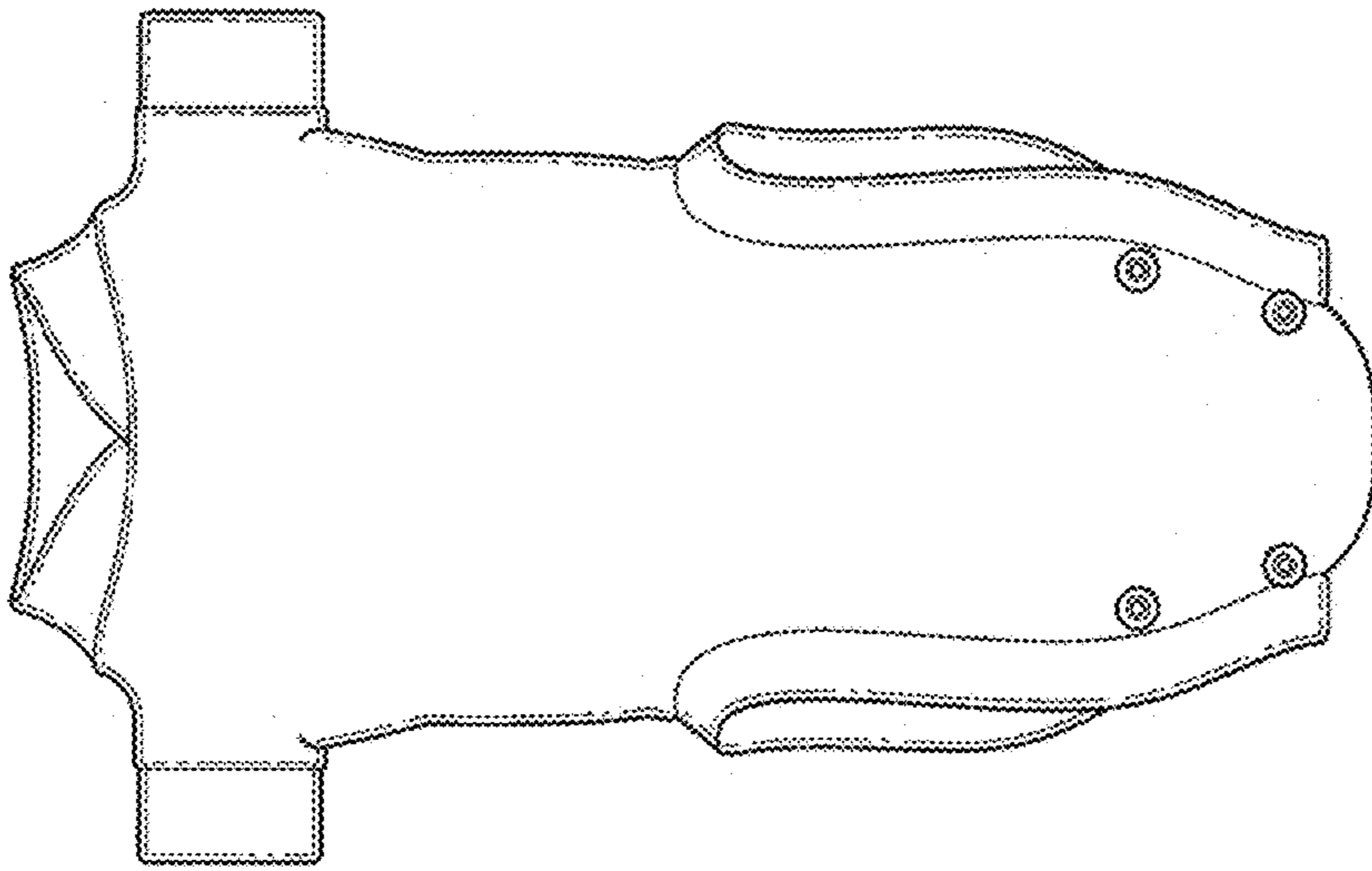


FIG. 3

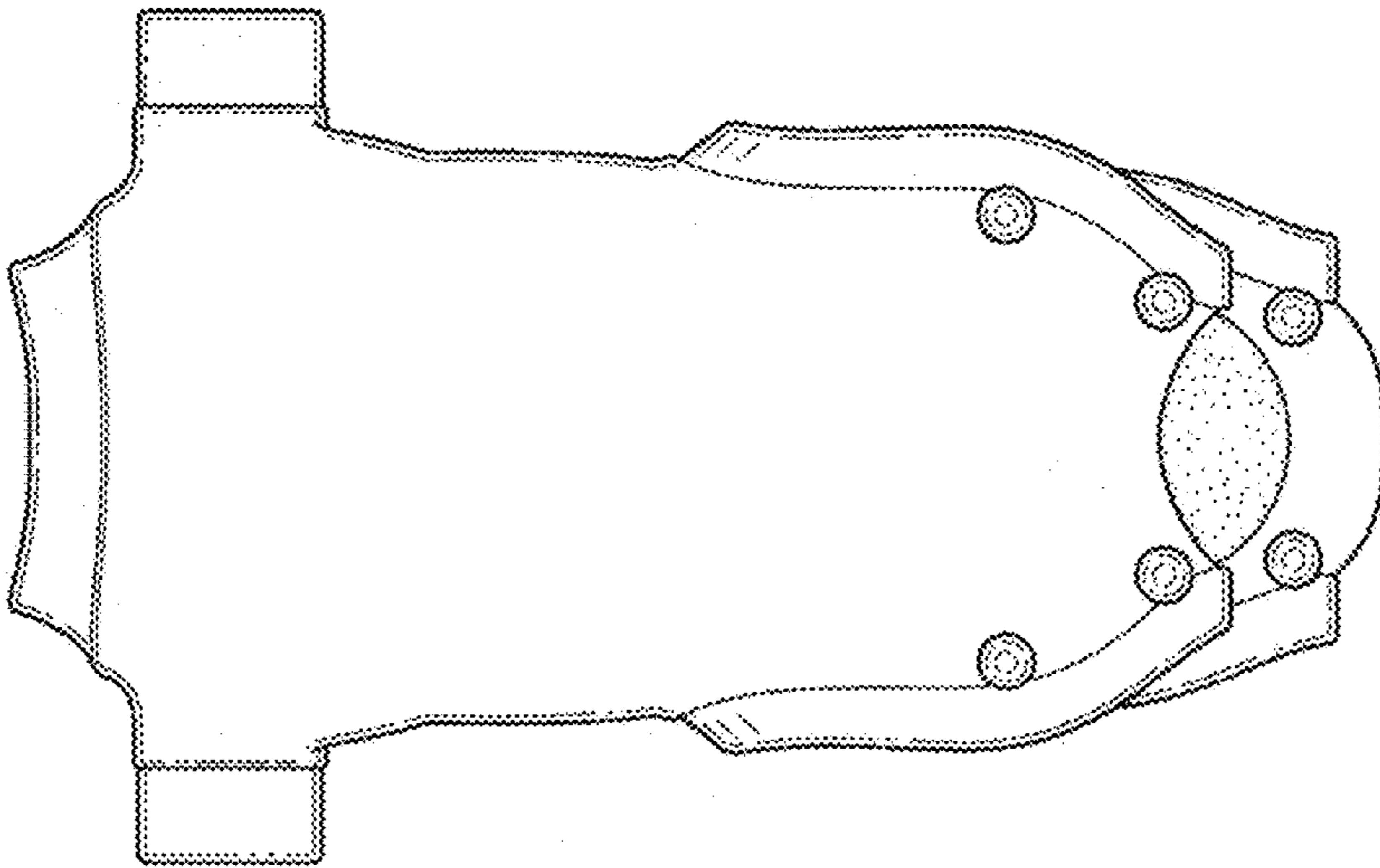


FIG. 2

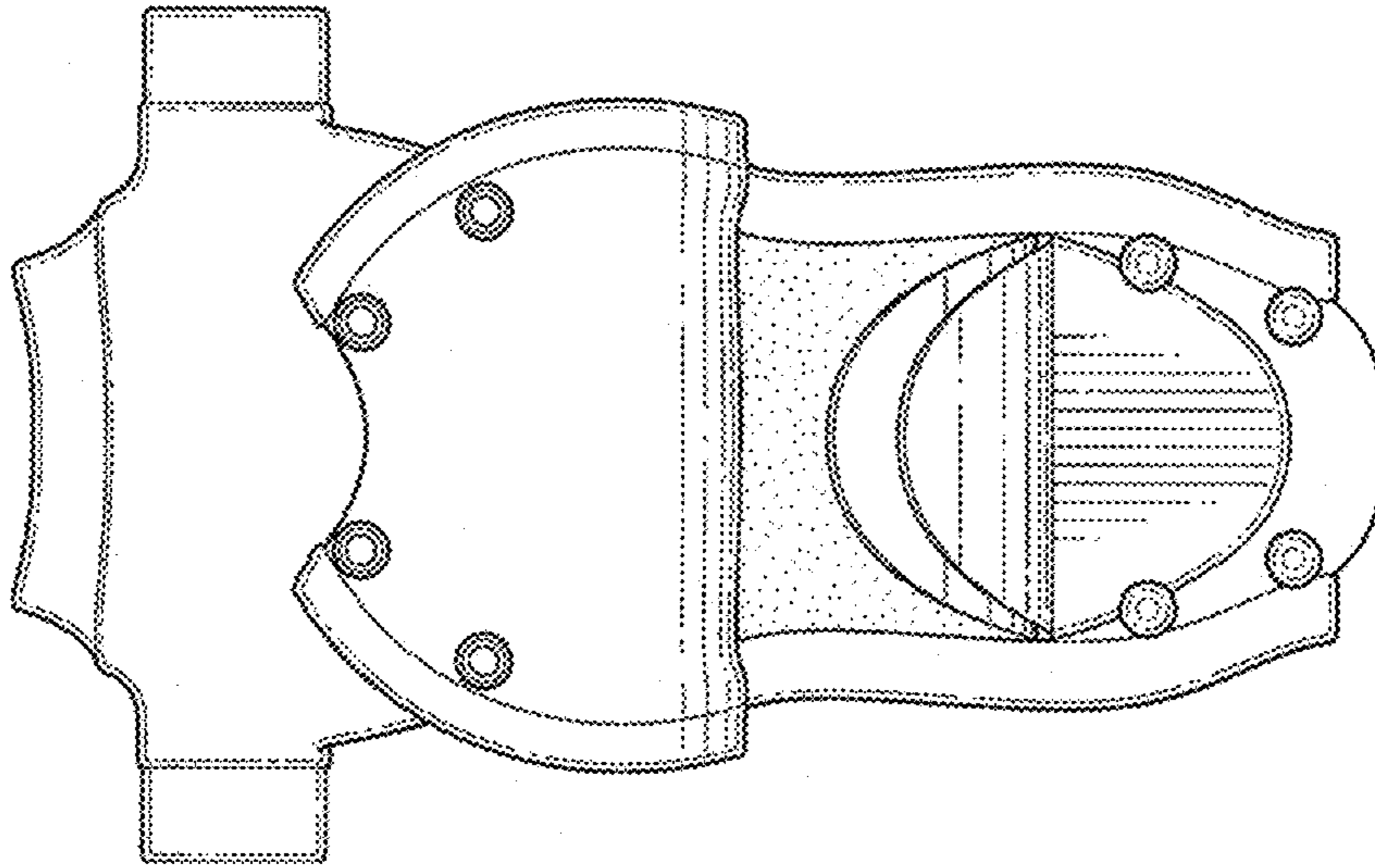


FIG. 5

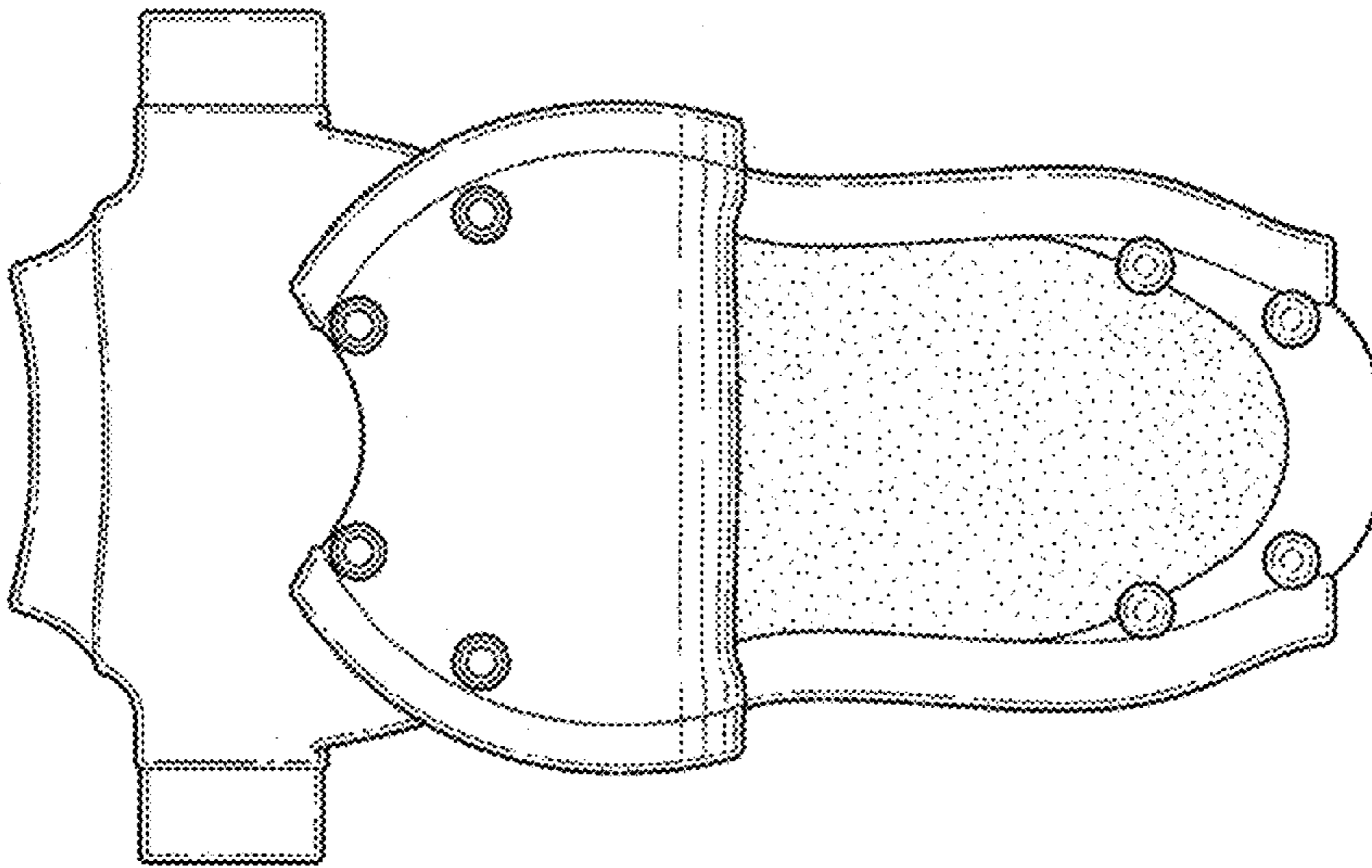


FIG. 4

FIG. 5A

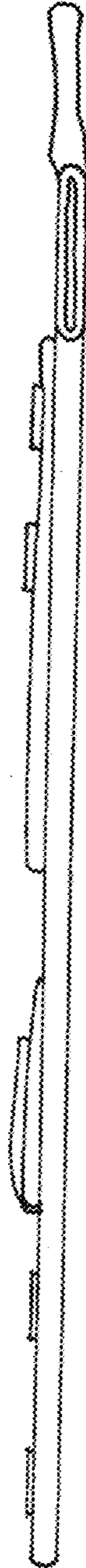


FIG. 6

