



US00D802852S

(12) **United States Design Patent**
Baker et al.

(10) **Patent No.:** **US D802,852 S**

(45) **Date of Patent:** **** Nov. 14, 2017**

(54) **BOTTLE**

(71) Applicant: **Doskocil Manufacturing Company, Inc.**, Arlington, TX (US)

(72) Inventors: **Nicholas Baker**, Fort Worth, TX (US);
Vas Obeyesekere, Seattle, WA (US)

(73) Assignee: **DOSKOCIL MANUFACTURING COMPANY, INC.**, Arlington, TX (US)

(**) Term: **15 Years**

(21) Appl. No.: **29/548,240**

(22) Filed: **Dec. 11, 2015**

(51) **LOC (10) Cl.** **30-03**

(52) **U.S. Cl.**
USPC **D30/132**; D9/516; D9/549; D9/563;
D9/774; D7/300

(58) **Field of Classification Search**
USPC D30/121-133; 119/51.01, 61, 51.04, 53,
119/57.91, 54, 53.5, 52.4, 51.11, 63, 61.2,
119/52.1, 57.5, 57.6, 51.13, 62, 75, 500,
119/501; 239/7, 687, 379, 397.5;
222/199, 181.1, 181.2, 185.1, 557, 156,
222/485, 486, 548, 555; 220/200, 227,
220/247, 262; 221/174, 185.1, 289, 295,
221/296, 559; 454/35; 209/270, 283,
209/244; 52/194, 192; 49/279, 344, 357;
D34/28; D9/531, 549, 563, 774, 500,
D9/520, 535, 550, 557; D7/306, 313;
62/397, 398, 400; 137/561 R; D22/122,
D22/119

CPC . A01K 7/00; A01K 7/005; A01K 7/02; A01K
7/022; A01K 7/025; A01K 7/027; A01K
7/04; A01K 7/06; B67D 3/00; B67D
3/0003; B67D 3/0009; B67D 3/0022;
B67D 3/0025; B67D 3/0029; B67D
3/0032; B67D 3/0035; B67D 3/0038;
B67D 3/0041; B67D 3/0048; B67D
3/0058; B67D 3/0061; B65D 1/00; B65D

1/02; B65D 1/0207; B65D 1/0223; F25D
31/002; F25D 31/005; F25D 31/006;
F25D 31/007; E03B 11/02; Y10T
137/8593; A01G 27/02

See application file for complete search history.

(56) **References Cited**

U.S. PATENT DOCUMENTS

1,533,627 A *	4/1925	Averill	B43L 25/02 119/77
2,123,606 A *	7/1938	Latocha	G01F 11/34 222/185.1
2,453,080 A *	11/1948	Shimp	G01F 11/32 141/375

(Continued)

Primary Examiner — Susan Moon Lee

(74) *Attorney, Agent, or Firm* — Global IP Counselors,
LLP

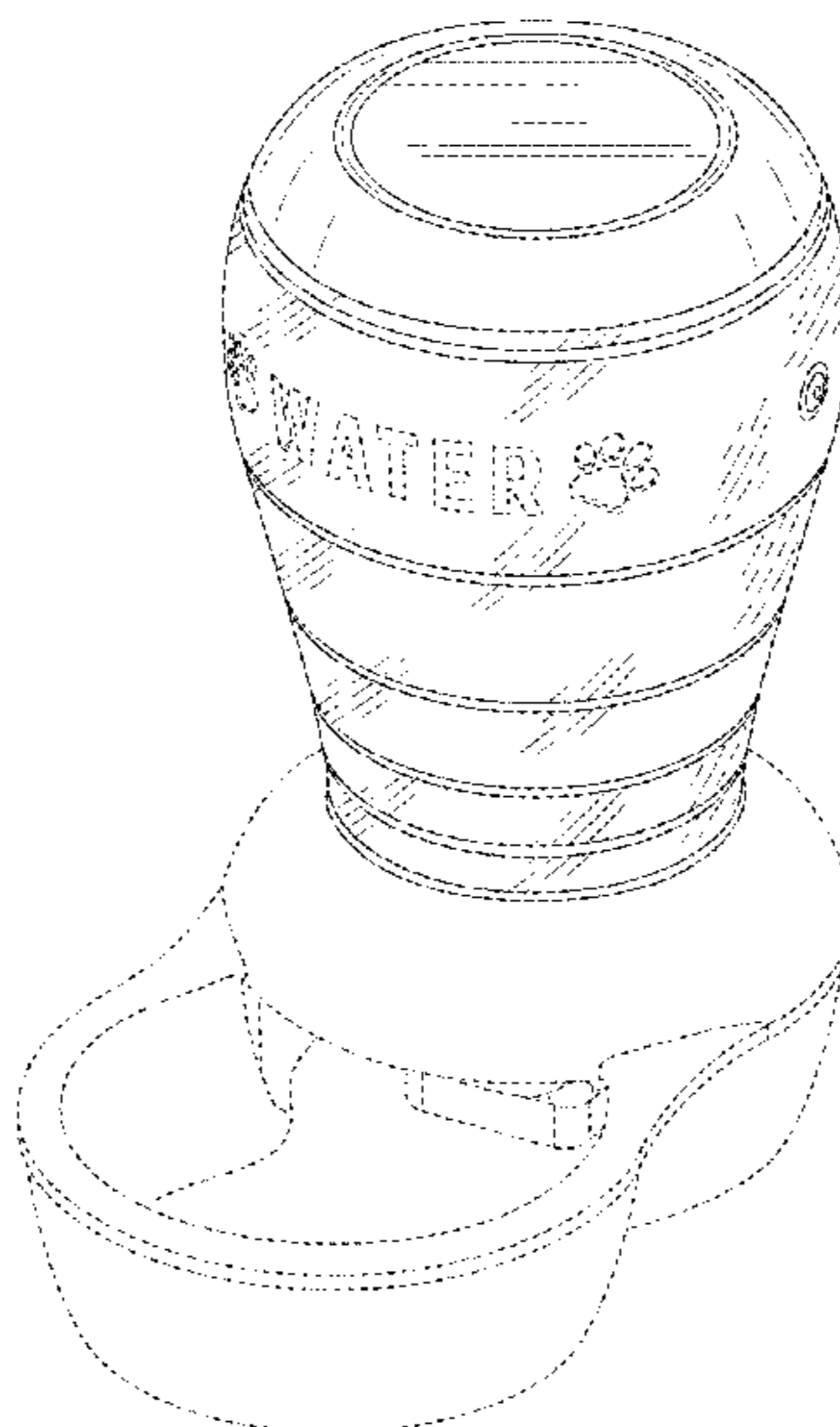
(57) **CLAIM**

The ornamental design for a bottle, as shown and described.

DESCRIPTION

FIG. 1 is a front perspective view of a bottle in accordance with our new design;
FIG. 2 is a front view of the bottle in accordance with our new design of FIG. 1;
FIG. 3 is a rear view of the bottle in accordance with our new design of FIGS. 1 and 2;
FIG. 4 is a side view of the bottle in accordance with our new design of FIGS. 1 to 3;
FIG. 5 is a side view of the bottle in accordance with our new design of FIGS. 1 to 4; and,
FIG. 6 is a top plan view of the bottle in accordance with our new design of FIGS. 1 to 5.
The broken lines depict environmental subject matter, are for illustration only, and form no part of the claimed design.

1 Claim, 6 Drawing Sheets



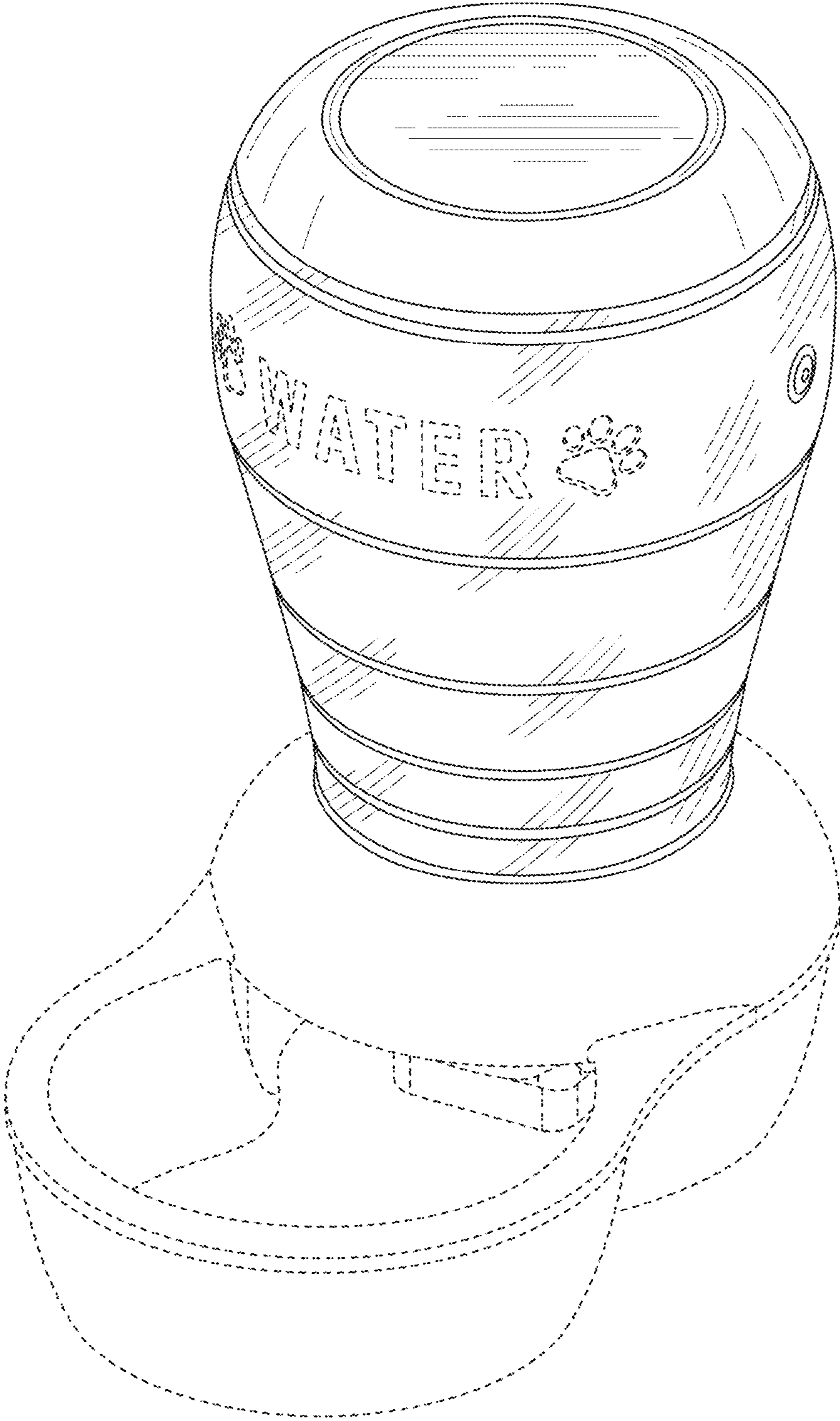


FIG. 1

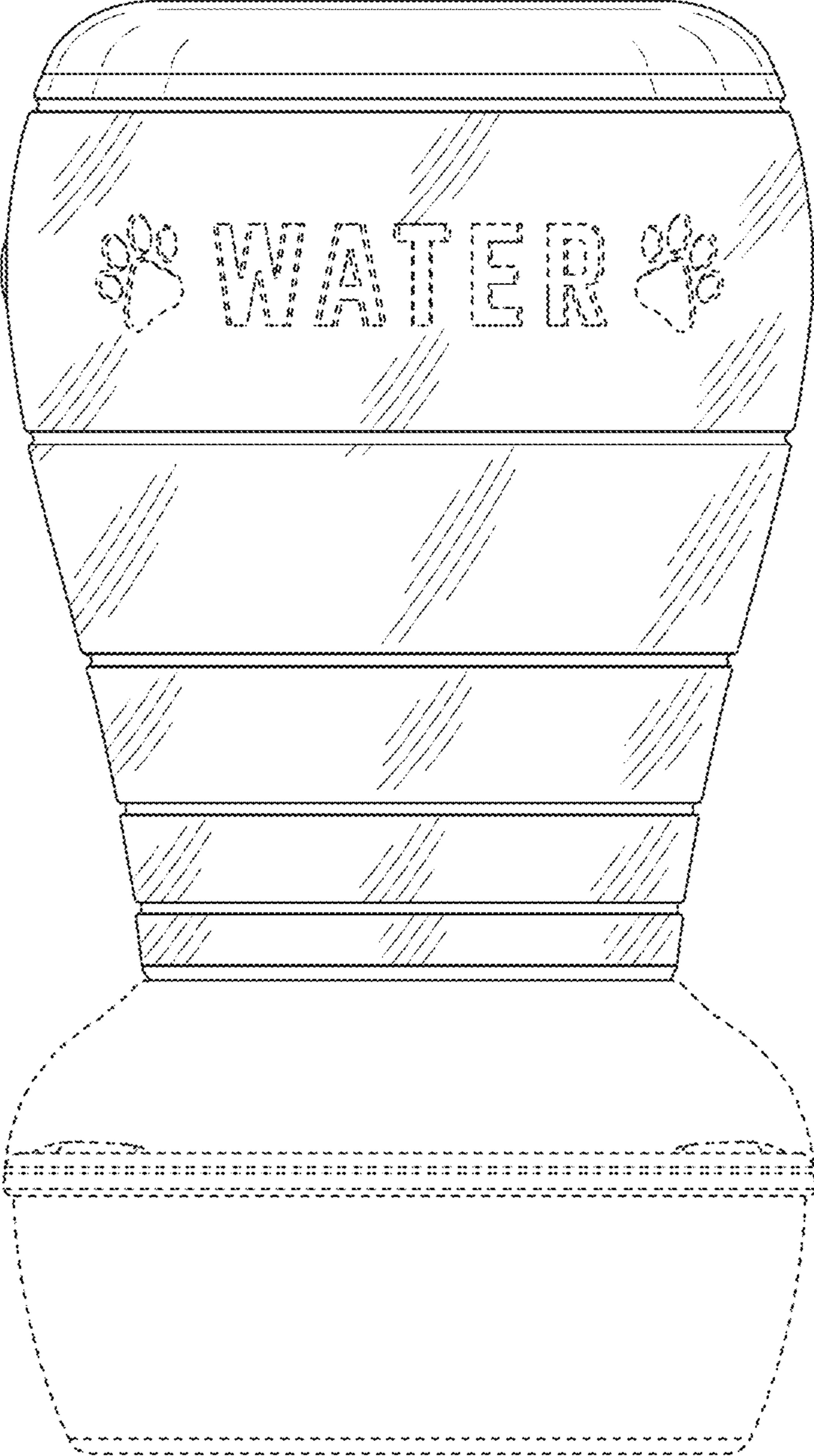


FIG. 2

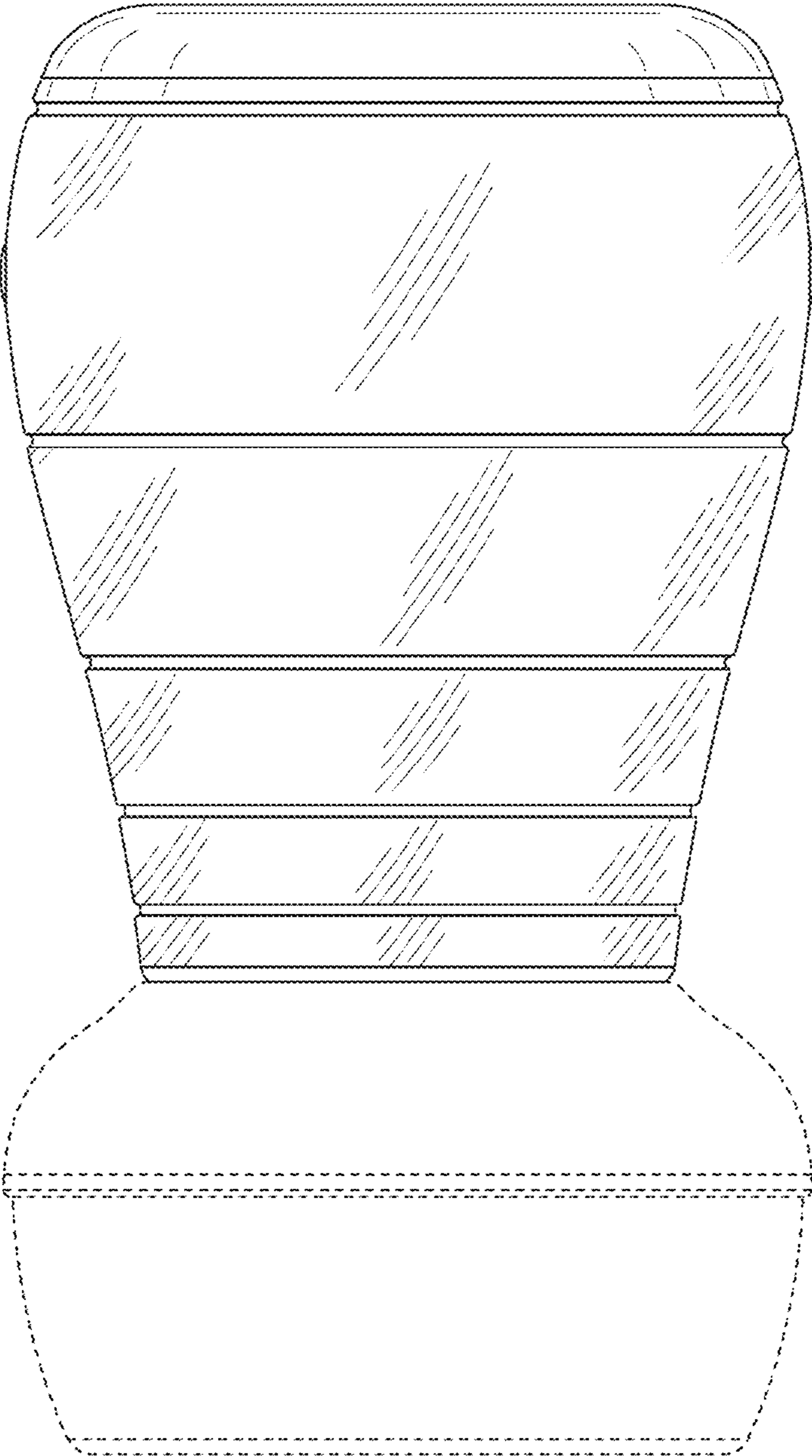


FIG. 3

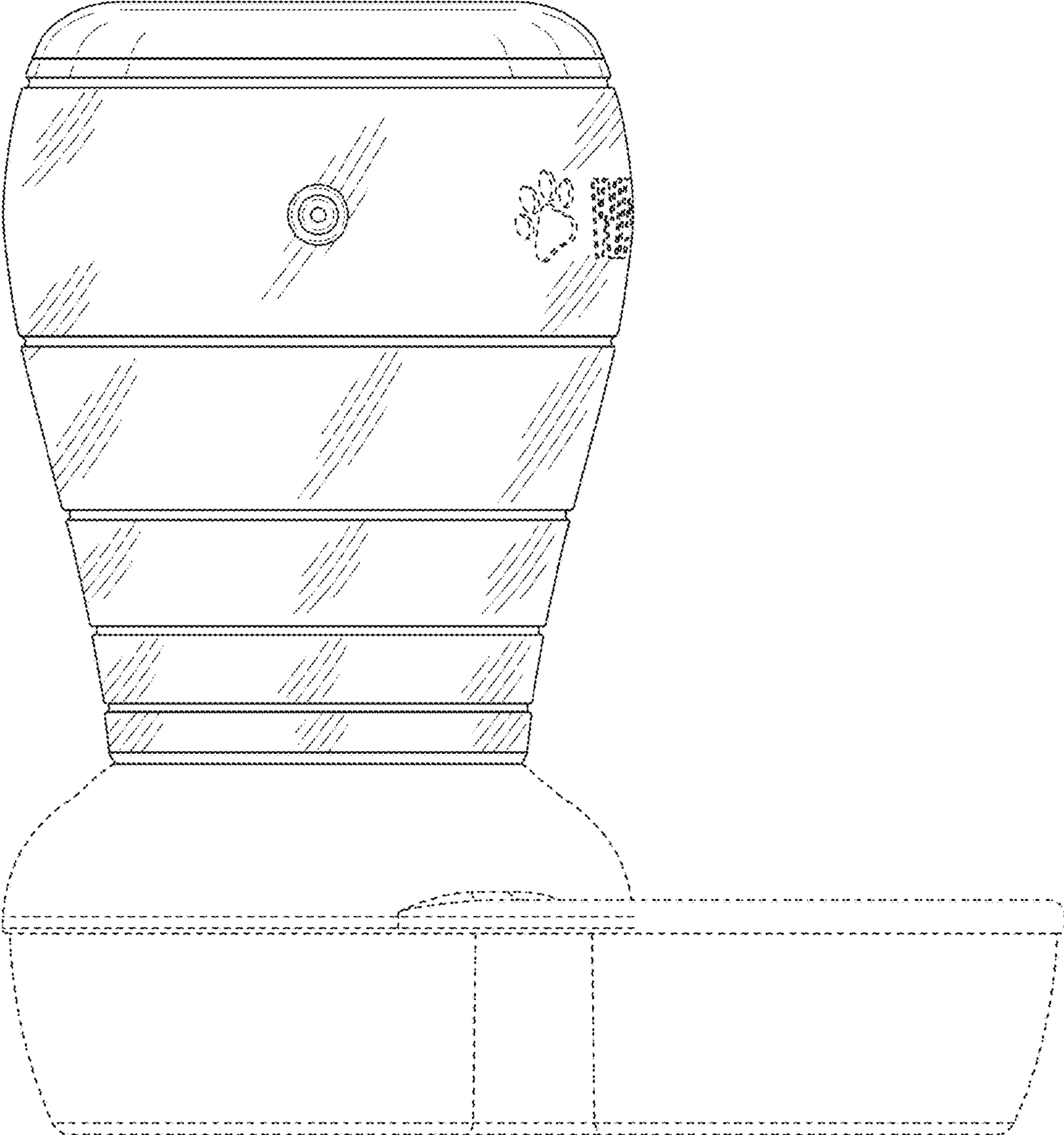


FIG. 4

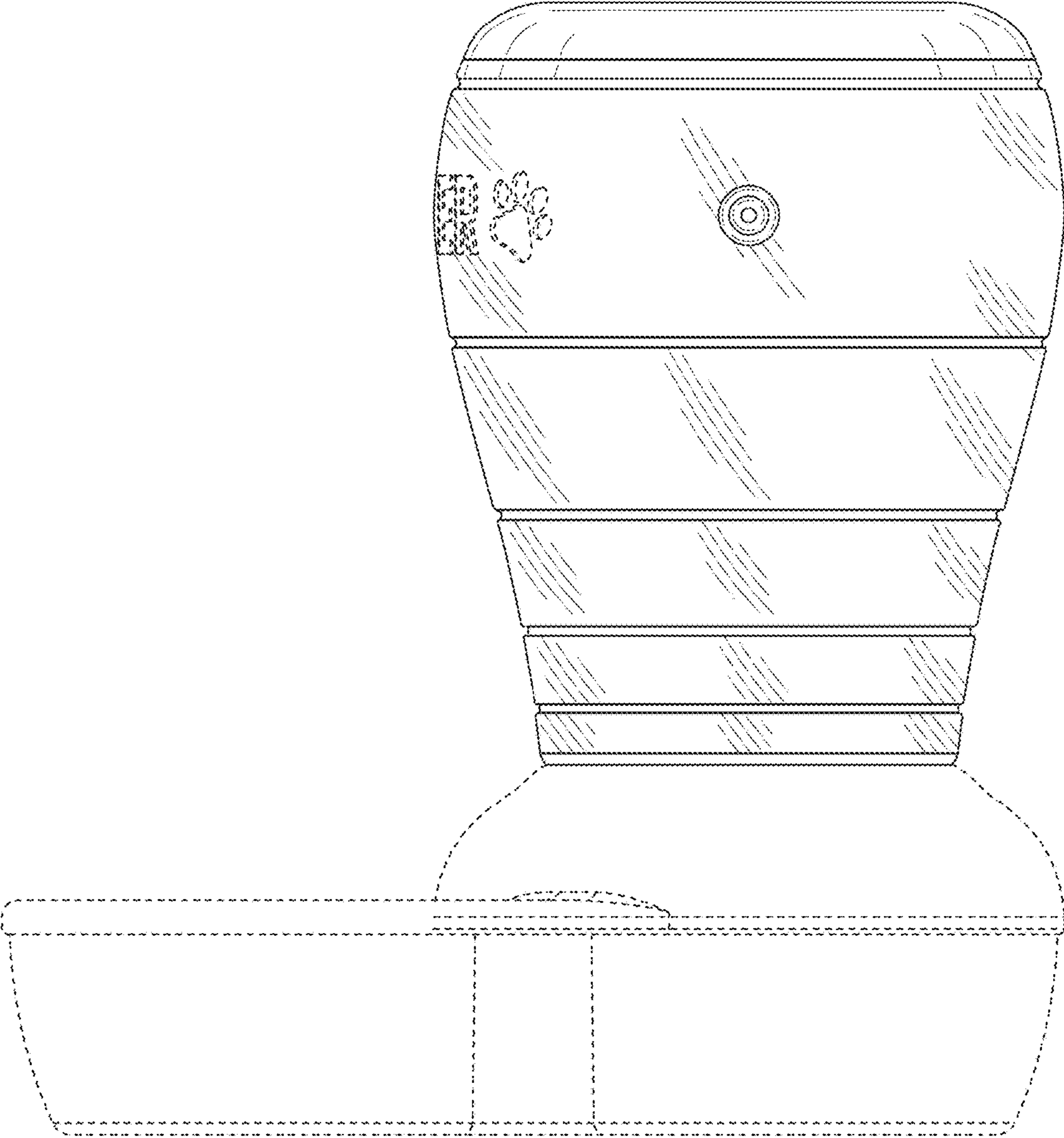


FIG. 5

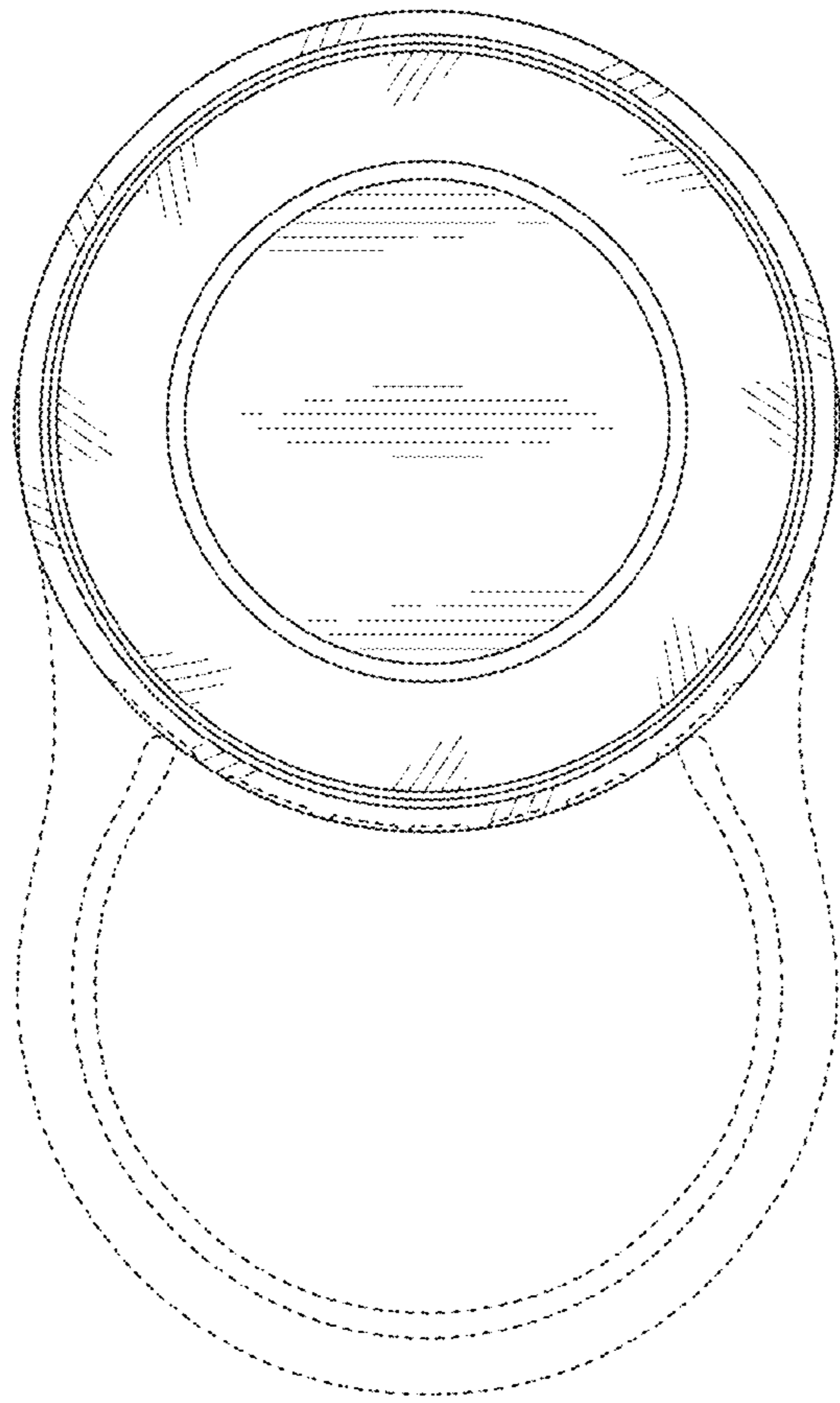


FIG. 6