



US00D802850S

(12) **United States Design Patent** (10) **Patent No.:** **US D802,850 S**  
**Spaile** (45) **Date of Patent:** **\*\* Nov. 14, 2017**

(54) **SHELF FOR AN ANIMAL ACCOMMODATION MODULE**

(71) Applicant: **BigCity Design Pty Ltd**, Hornsby (AU)

(72) Inventor: **Henri Spaile**, Potts Point (AU)

(73) Assignee: **BigCity Design Pty Ltd**, Hornsby (AU)

(\*\*) Term: **15 Years**

(21) Appl. No.: **29/543,549**

(22) Filed: **Oct. 26, 2015**

(30) **Foreign Application Priority Data**

Apr. 27, 2015 (AU) ..... 201512178

(51) **LOC (10) Cl.** ..... **30-02**

(52) **U.S. Cl.**  
USPC ..... **D30/119**

(58) **Field of Classification Search**  
USPC ..... D30/108, 109, 113, 114, 115, 116, 117,  
D30/118, 119, 120; D25/152, 153, 154,  
D25/155, 156

CPC ..... A01K 1/033  
See application file for complete search history.

(56) **References Cited**

**U.S. PATENT DOCUMENTS**

- 4,177,761 A \* 12/1979 Bellocchi, Jr. .... A01K 1/035  
119/482
- 6,318,294 B1 \* 11/2001 Richmond ..... A01K 1/033  
119/482
- D495,902 S \* 9/2004 Haberman ..... D6/655
- D561,955 S \* 2/2008 McDonough ..... D30/119
- D596,355 S \* 7/2009 Toltzman ..... D30/118
- D605,367 S \* 12/2009 Northrop ..... D30/117
- D613,000 S \* 3/2010 Ward ..... D30/119
- D677,072 S \* 3/2013 Pegza ..... D6/383
- D726,971 S \* 4/2015 Itzhak-Sigron ..... D6/383

- D735,952 S \* 8/2015 Otto ..... D30/108
- D769,544 S \* 10/2016 Niedwick ..... D30/112
- 2006/0042558 A1 \* 3/2006 Stephens ..... A01K 1/035  
119/484
- 2007/0095292 A1 \* 5/2007 Musselman ..... A01K 1/0353  
119/28.5

**OTHER PUBLICATIONS**

“Human Society Unveils New State-of-the-Art Shelter for Cats”. Found online Apr. 5, 2017 at [chattanooga.com](http://chattanooga.com). Page dated Nov. 5, 2006. Retrieved from <http://www.chattanooga.com/2006/11/5/96147/Humane-Society-Unveils-New.aspx>.\*

“A Tale of Two Kitties and Their Cat Wall System”. Found online Apr. 5, 2017 at [catsplay.com](http://catsplay.com). Page dated Aug. 25, 2013. Retrieved from <http://www.catsplay.com/blog/a-tale-of-two-kitties-and-their-cat-wall-system>.\*

“How to Make Your Pet Comfortable in a Modern Home”. Found online Apr. 5, 2017 at [freshome.com](http://freshome.com). Page dated May 1, 2012. Retrieved from <http://freshome.com/2012/05/01/how-to-make-your-pet-comfortable-in-a-modern-home-kooldog-interview/>.\*

“Discover—Modern Design Furniture: Cubes”. Found online Apr. 5, 2017 at [homeinfatuationblog.com](http://homeinfatuationblog.com). Page dated May 6, 2011. Retrieved from <http://www.homeinfatuationblog.com/luxury-outdoor-living/discover-modern-design-furniture.html>.\*

\* cited by examiner

*Primary Examiner* — Robert M Spear  
*Assistant Examiner* — Kendra L Hamilton  
 (74) *Attorney, Agent, or Firm* — Greenberg Traurig, LLP

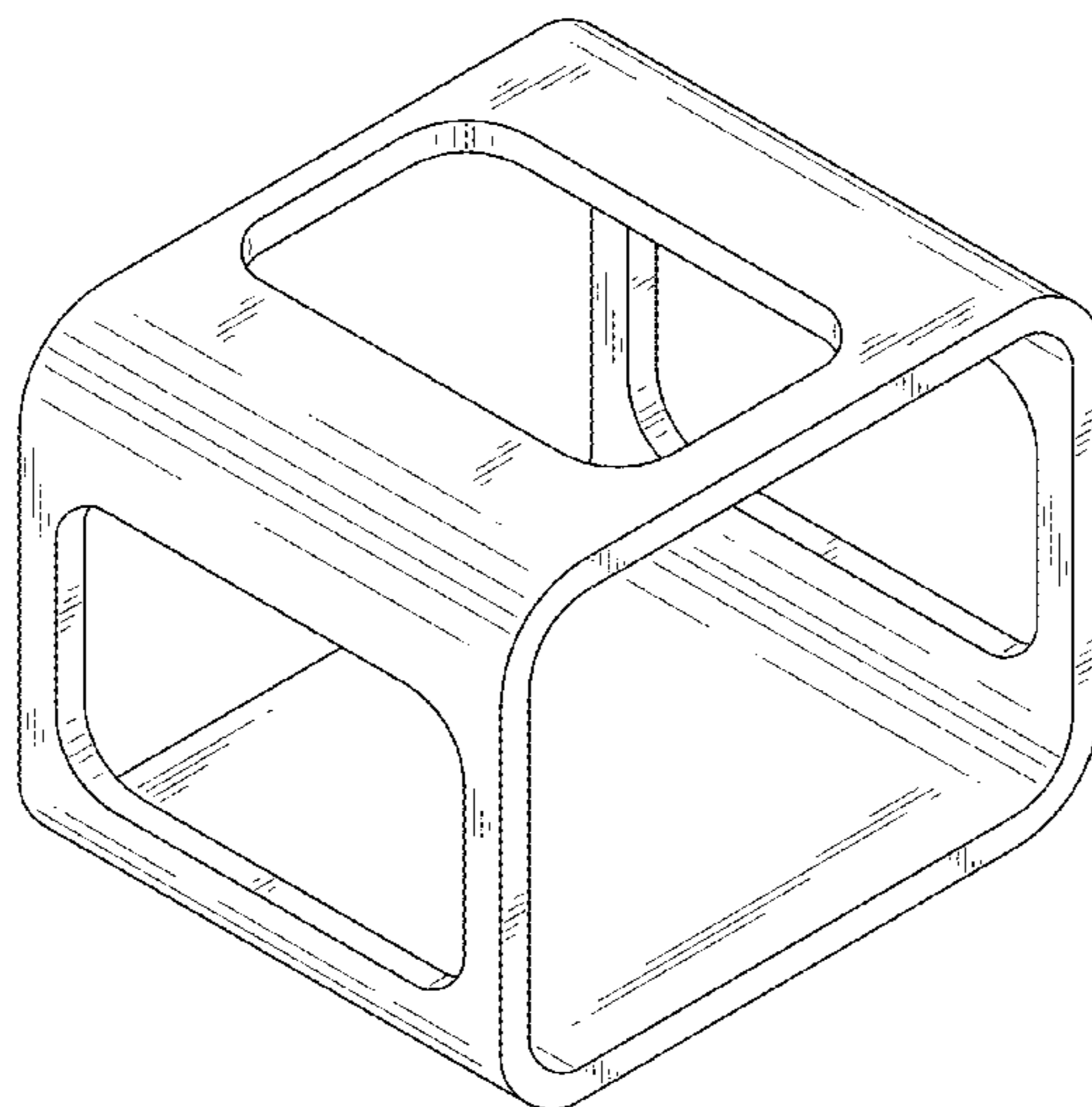
(57) **CLAIM**

I claim the ornamental design for a shelf for an animal accommodation module, as shown and described.

**DESCRIPTION**

FIG. 1 is a perspective view of a shelf for an animal accommodation module showing my design;  
 FIG. 2 is a front view thereof;  
 FIG. 3 is a side view thereof; and,  
 FIG. 4 is a top view thereof.

**1 Claim, 4 Drawing Sheets**



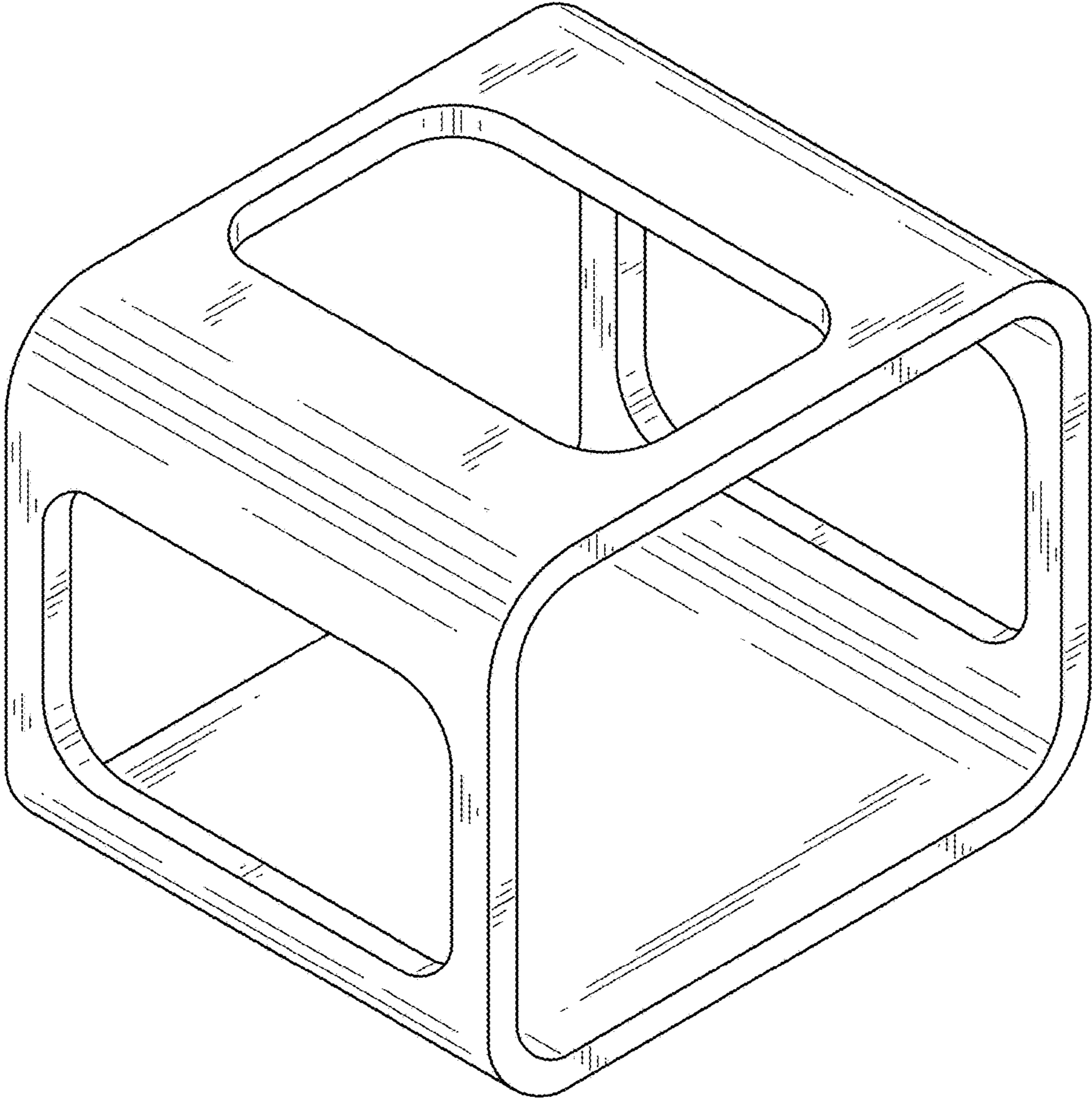


FIG. 1

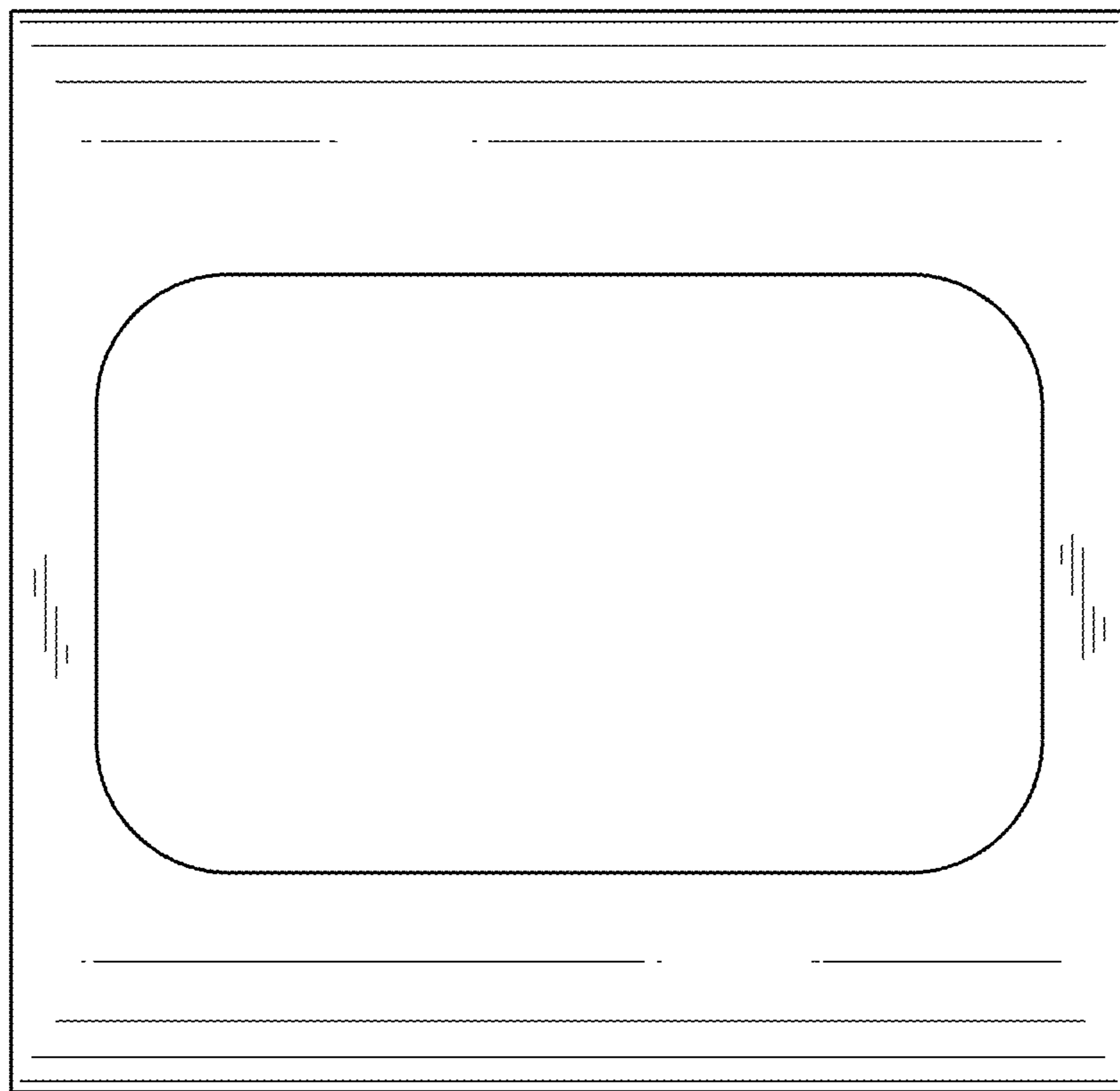


FIG. 2

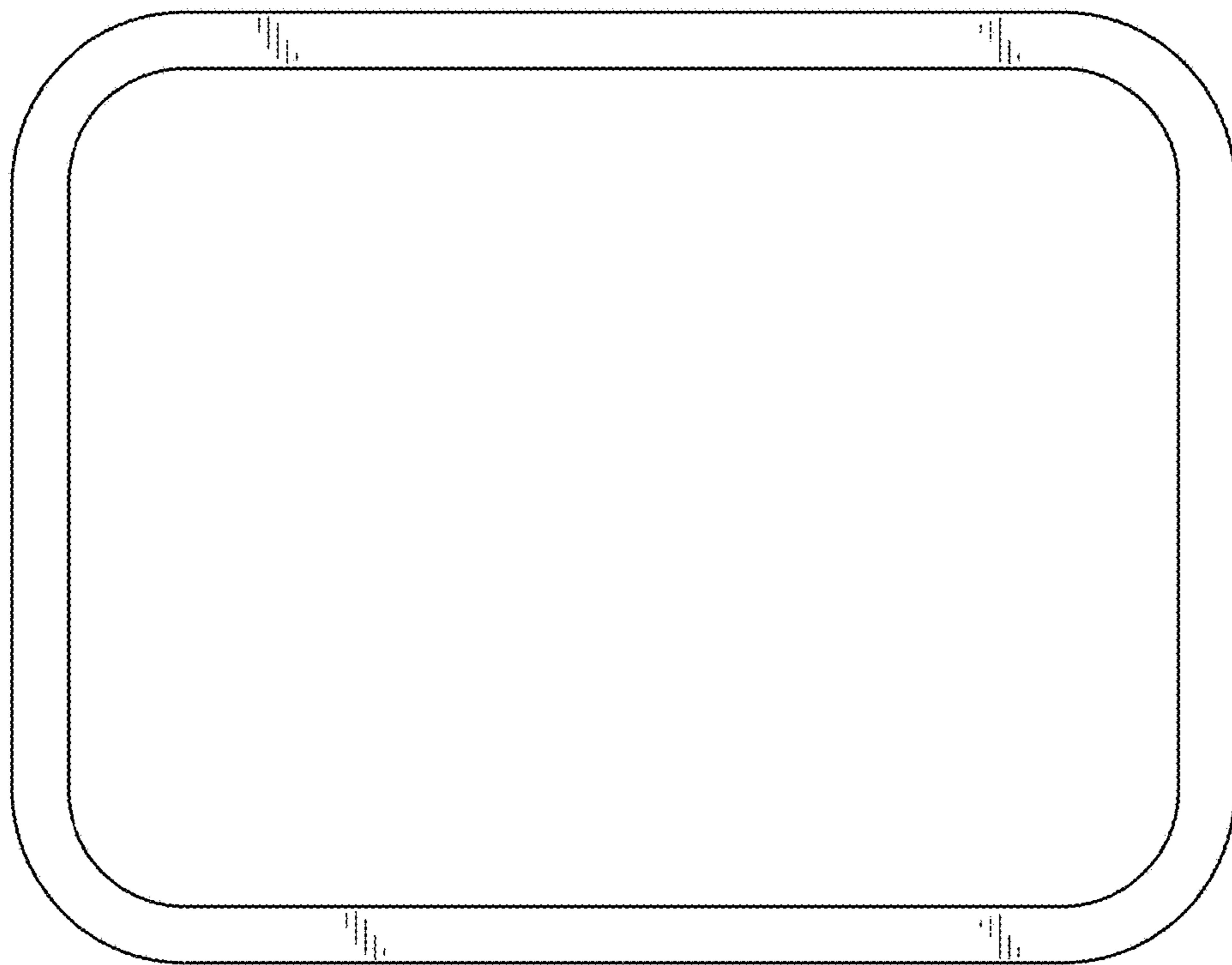


FIG. 3

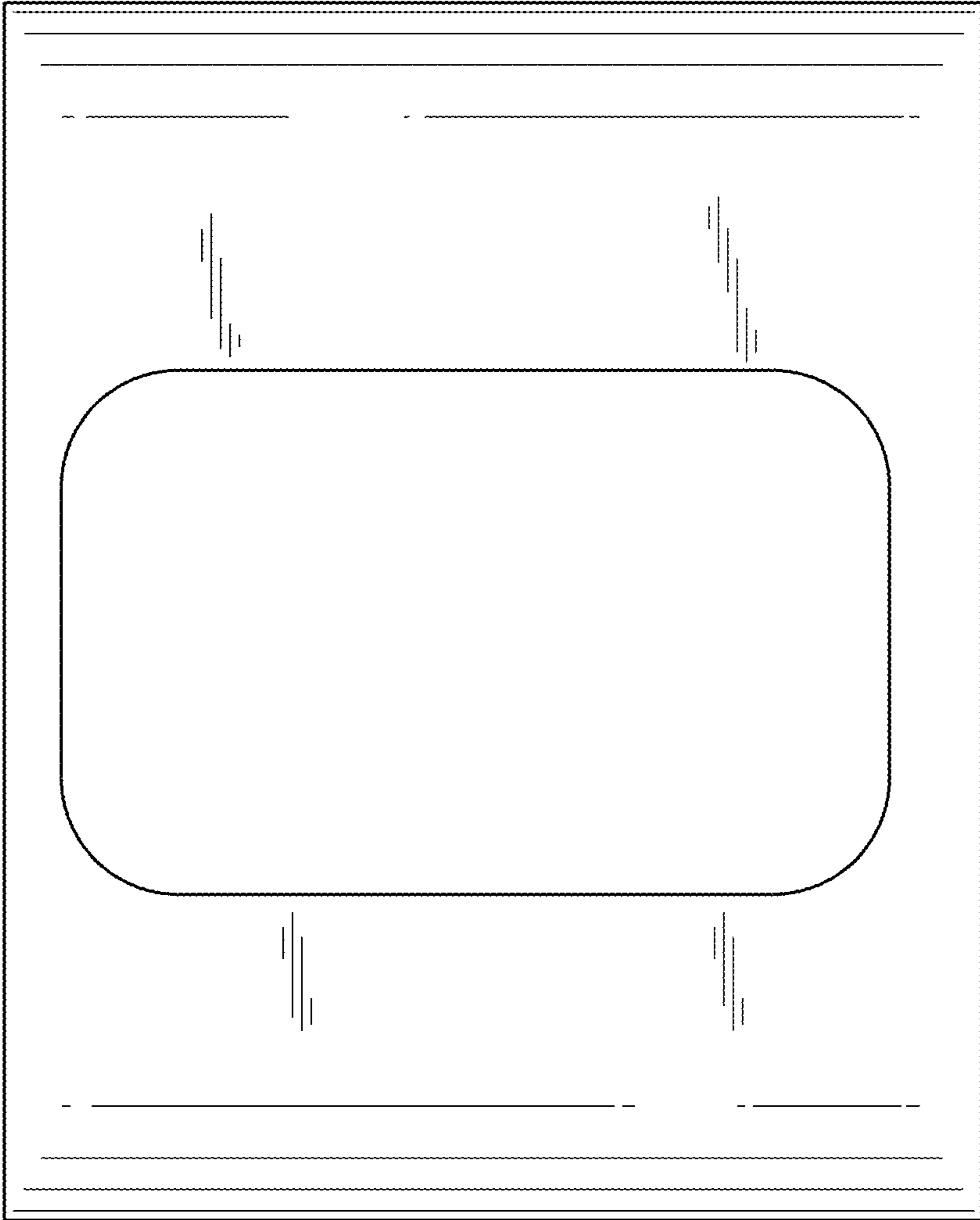


FIG. 4