



US00D802849S

(12) **United States Design Patent** (10) **Patent No.:** **US D802,849 S**  
**Rinklake** (45) **Date of Patent:** **\*\* Nov. 14, 2017**

(54) **FALL ARREST CARRIAGE**  
 (71) Applicant: **Skylotec GMBH**, Neuwied (DE)  
 (72) Inventor: **Kai Rinklake**, Neuwied (DE)  
 (\*\*) Term: **15 Years**  
 (21) Appl. No.: **35/500,322**  
 (22) Filed: **Jul. 20, 2015**  
 (80) **Hague Agreement Data**  
 Int. Filing Date: **Jul. 20, 2015**  
 Int. Reg. No.: **DM/088292**  
 Int. Reg. Date: **Jul. 20, 2015**  
 Int. Reg. Pub. Date: **Dec. 4, 2015**

D602,638 S \* 10/2009 Dempsey ..... D29/101.1  
 D632,021 S \* 2/2011 Carr ..... D29/124  
 D653,324 S \* 1/2012 Townsend ..... D24/110  
 D653,325 S \* 1/2012 Cheesman ..... D24/110  
 D656,686 S \* 3/2012 Decker ..... D29/124  
 D729,985 S \* 5/2015 Strawder ..... D29/124  
 D732,241 S \* 6/2015 Couzyn ..... D29/101.1  
 D744,807 S \* 12/2015 Hicks ..... D8/105  
 D745,374 S \* 12/2015 Liu ..... D8/355  
 9,216,307 B2 \* 12/2015 Liu ..... E04G 21/32  
 D750,330 S \* 2/2016 Westerweel ..... D29/124  
 D751,874 S \* 3/2016 Hills ..... D8/105  
 D751,881 S \* 3/2016 Hicks ..... D8/105  
 D755,530 S \* 5/2016 Bennett ..... D6/347  
 D756,572 S \* 5/2016 Baker ..... D30/162  
 2004/0250352 A1 \* 12/2004 Yeh ..... B43K 29/004  
 7/160

\* cited by examiner

*Primary Examiner* — Rhea Shields

(30) **Foreign Application Priority Data**  
 Jan. 29, 2015 (EM) ..... 002623090  
 (51) **LOC (10) Cl.** ..... **29-02**  
 (52) **U.S. Cl.**  
 USPC ..... **D29/124**  
 (58) **Field of Classification Search**  
 USPC ..... D29/124, 101.1, 101.4; D8/355, 105;  
 D30/162; D24/110; D6/347; 7/160  
 CPC ..... E04G 21/32; B43K 29/004  
 See application file for complete search history.

(57) **CLAIM**

The ornamental design for fall arrest carriage, as shown and described.

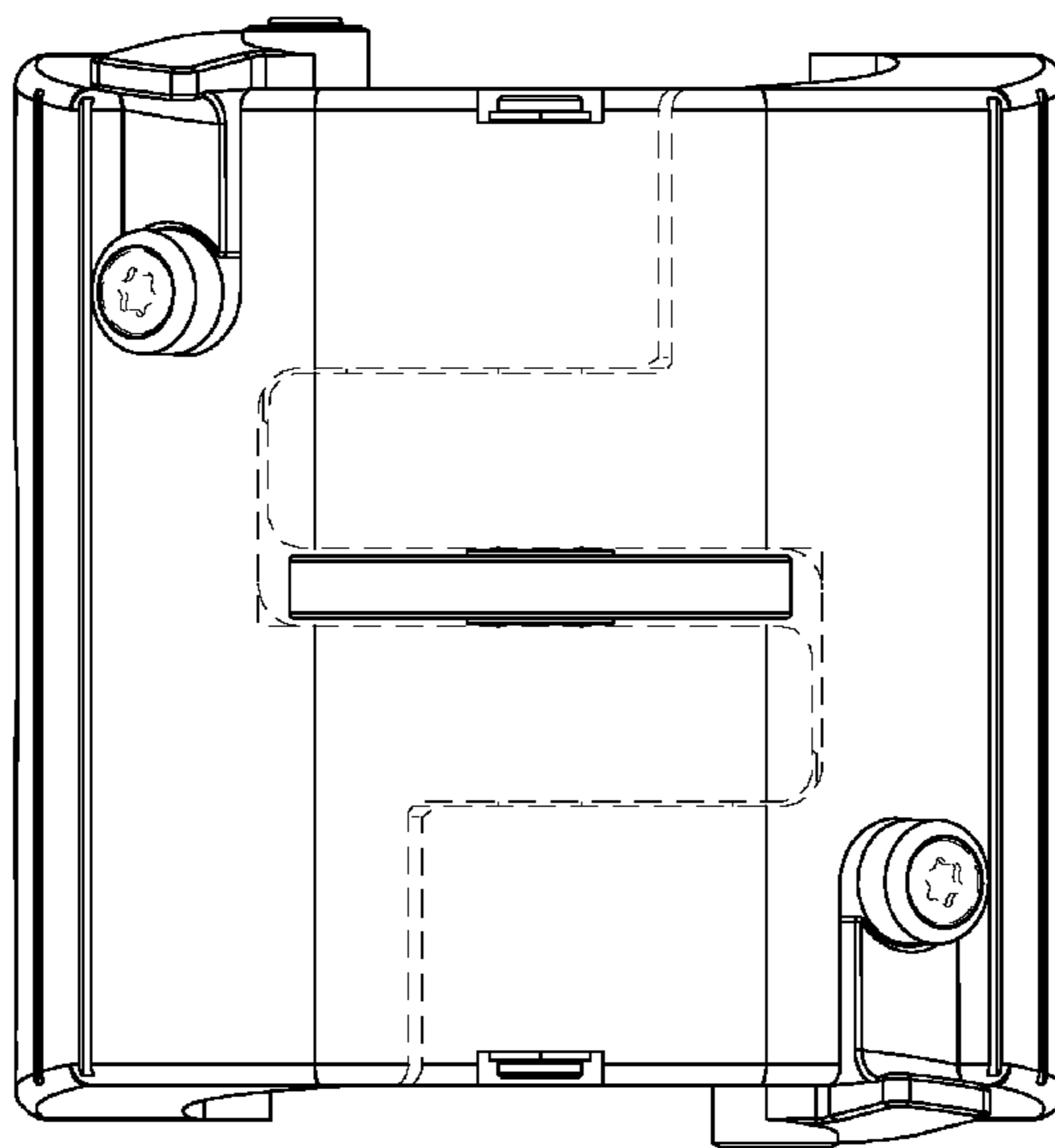
**DESCRIPTION**

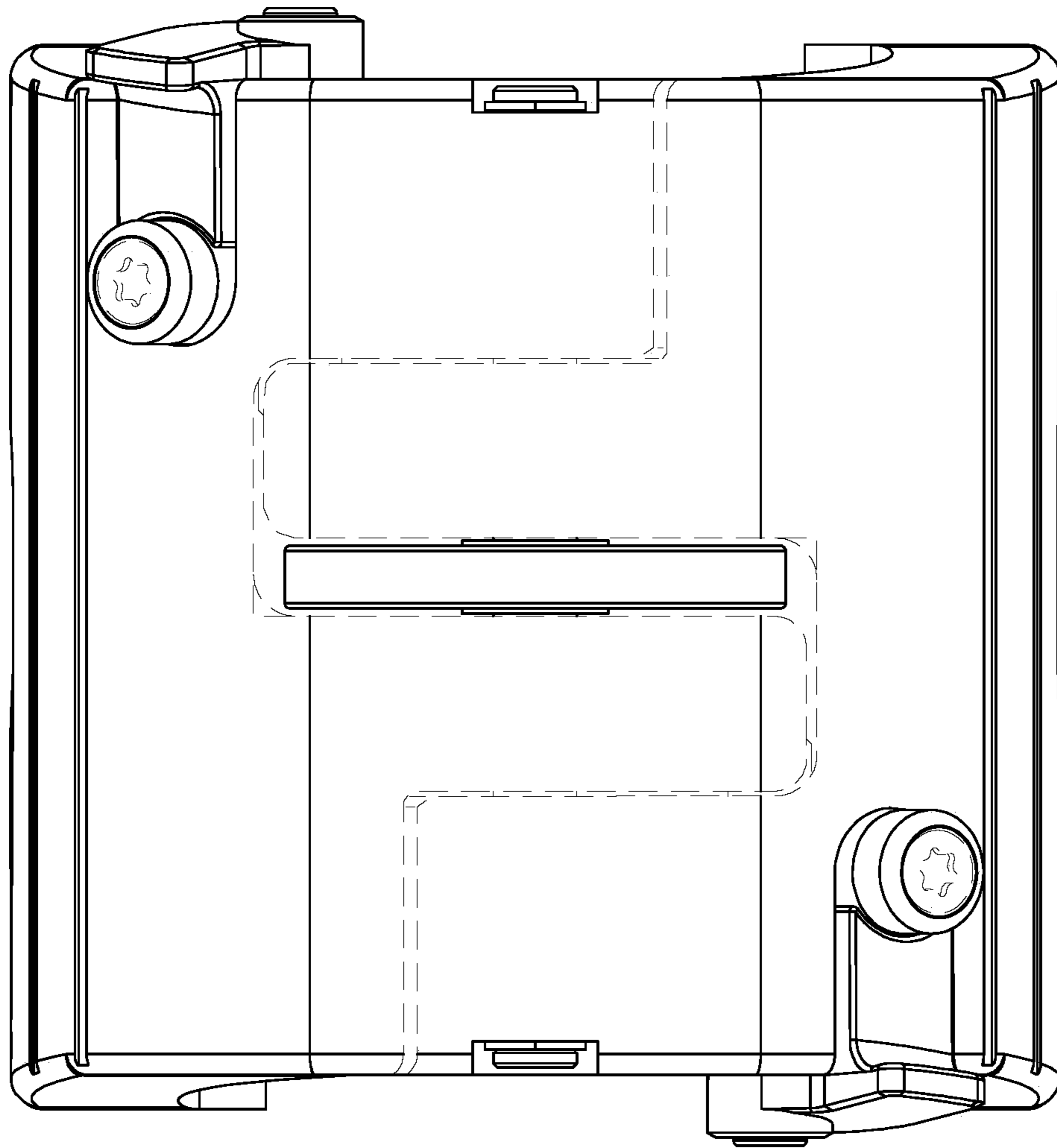
1. Fall arrest carriage  
 1.1 is a top view;  
 1.2 is a right side view;  
 1.3 is a front view;  
 1.4 is a left side view;  
 1.5 is a rear view;  
 1.6 is a bottom view; and  
 1.7 is a perspective view.

In the drawings, the broken lines are for the purpose of illustrating environment only and form no part of the claimed design.

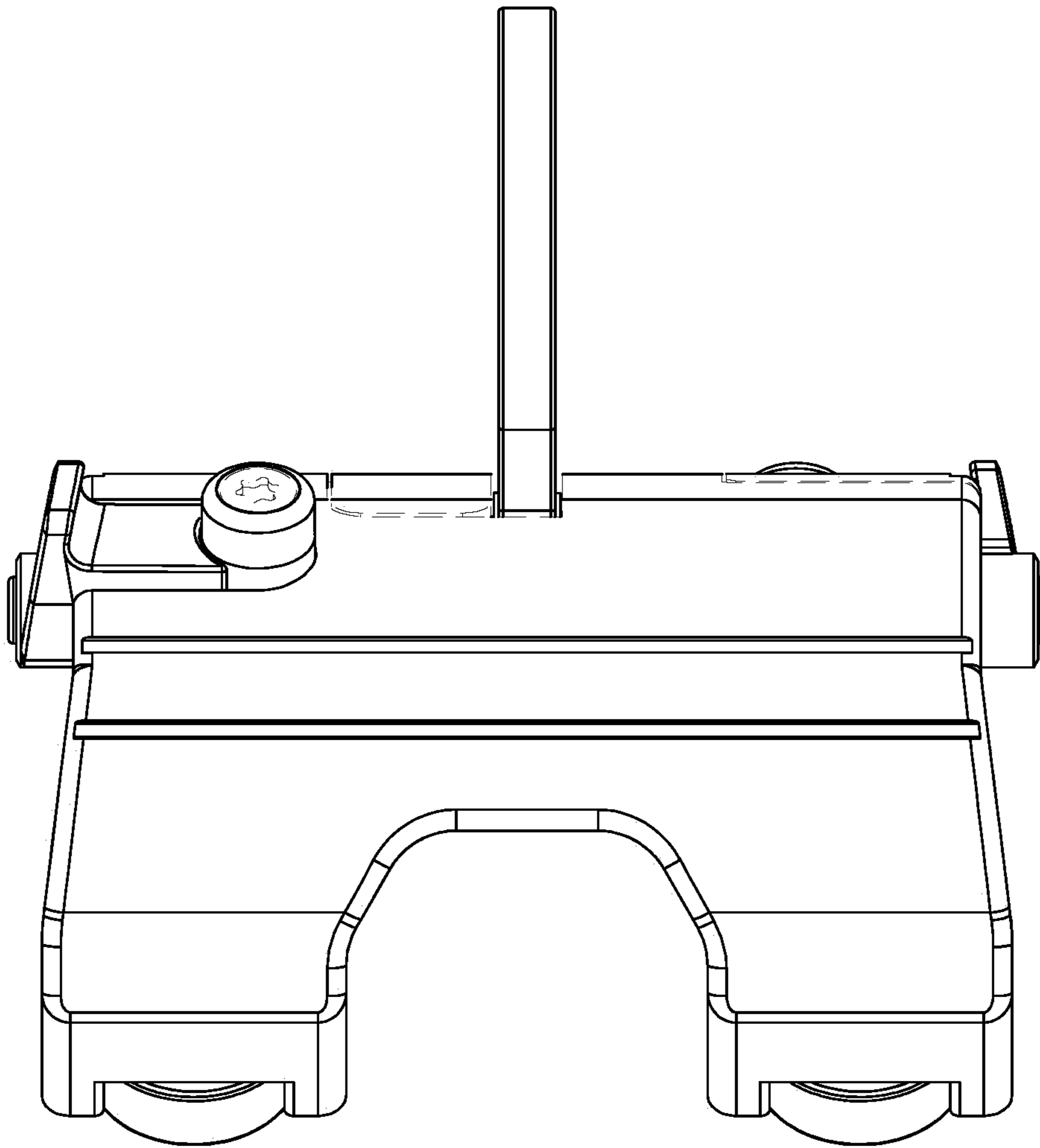
(56) **References Cited**  
 U.S. PATENT DOCUMENTS  
 D391,685 S \* 3/1998 Kinniburgh ..... D29/124  
 D482,504 S \* 11/2003 Meller ..... D29/124  
 D559,467 S \* 1/2008 Petzl ..... D29/101.1  
 D602,205 S \* 10/2009 Thomas ..... D29/101.4

**1 Claim, 7 Drawing Sheets**

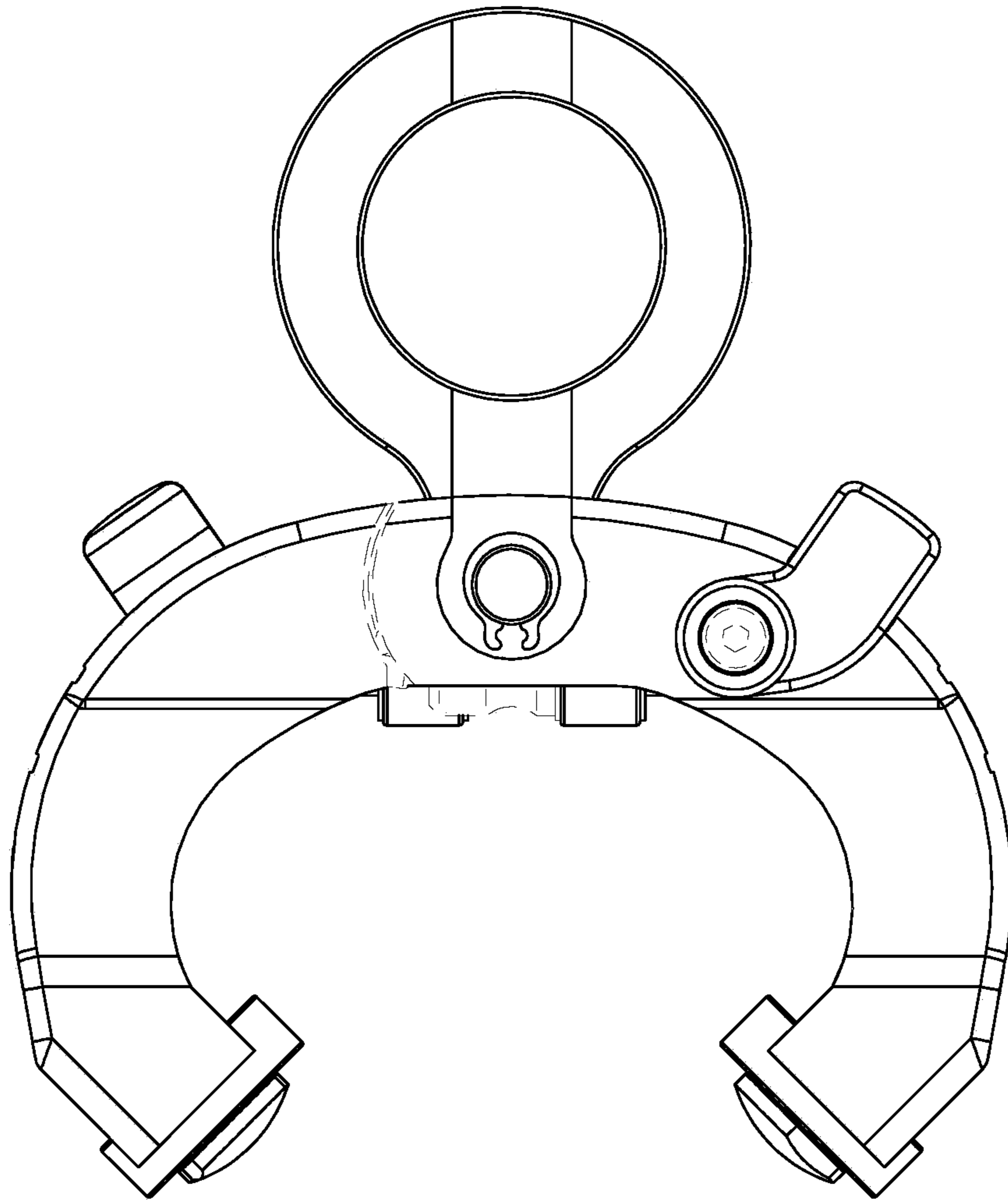




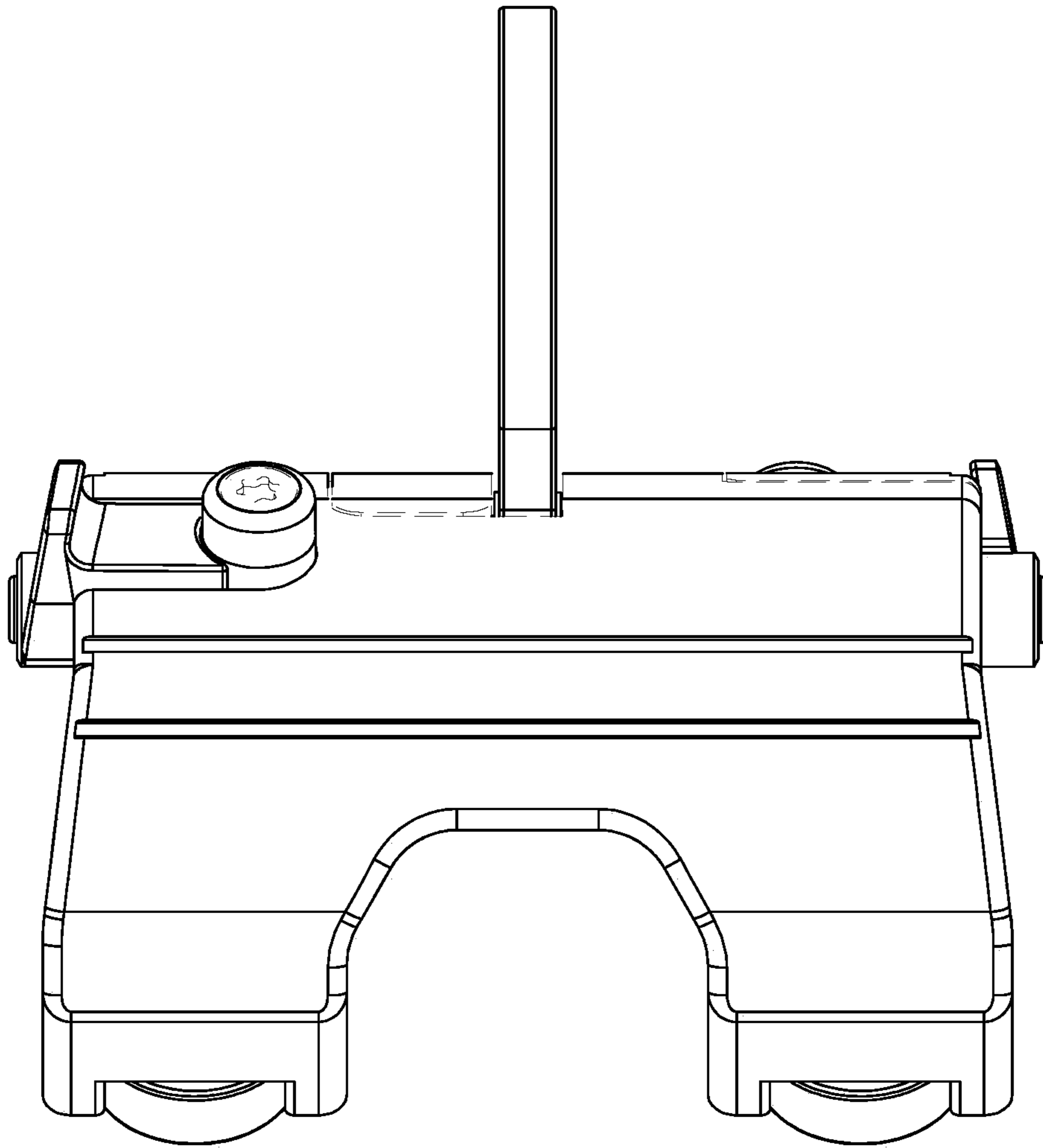
**1.1**



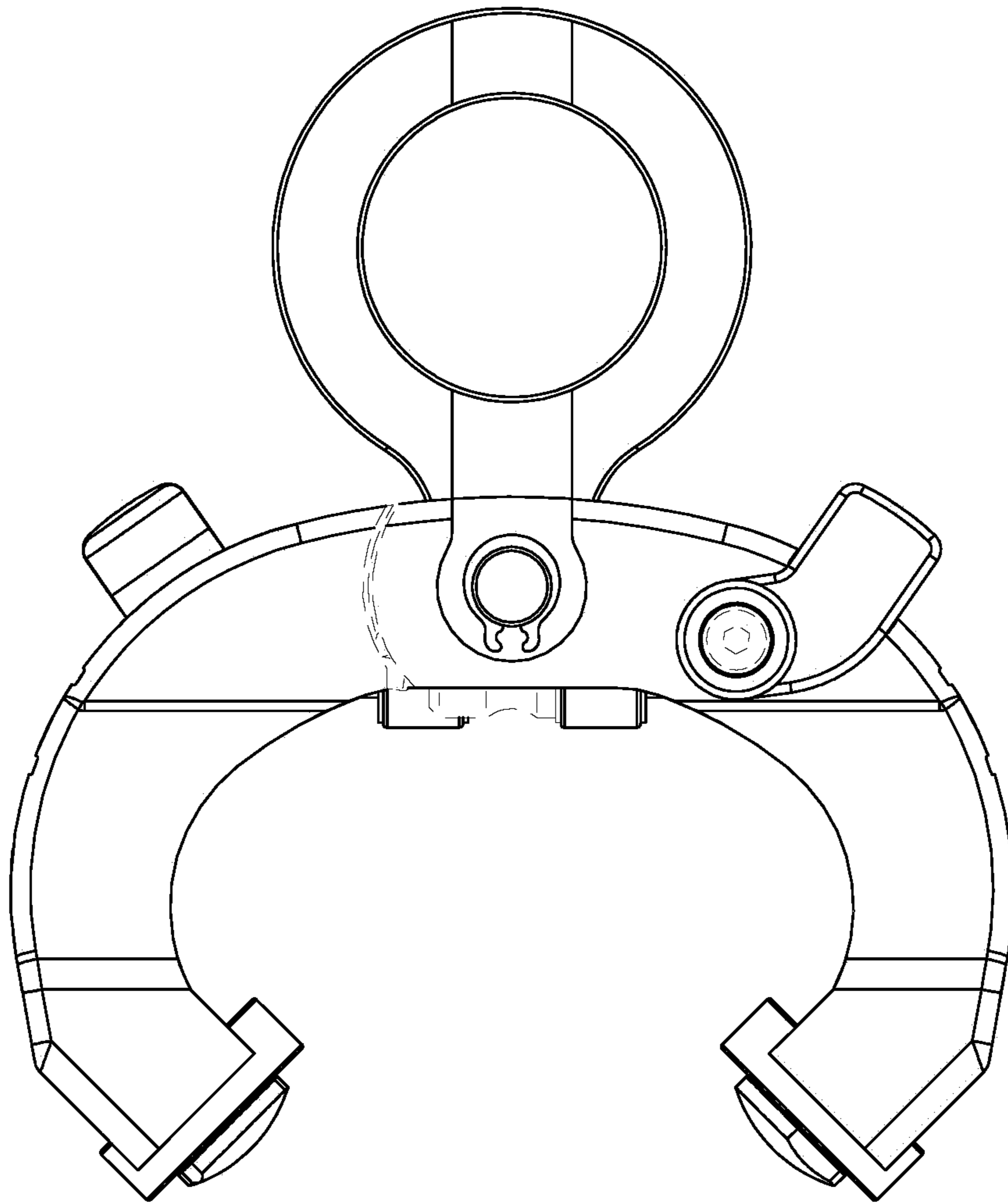
**1.2**



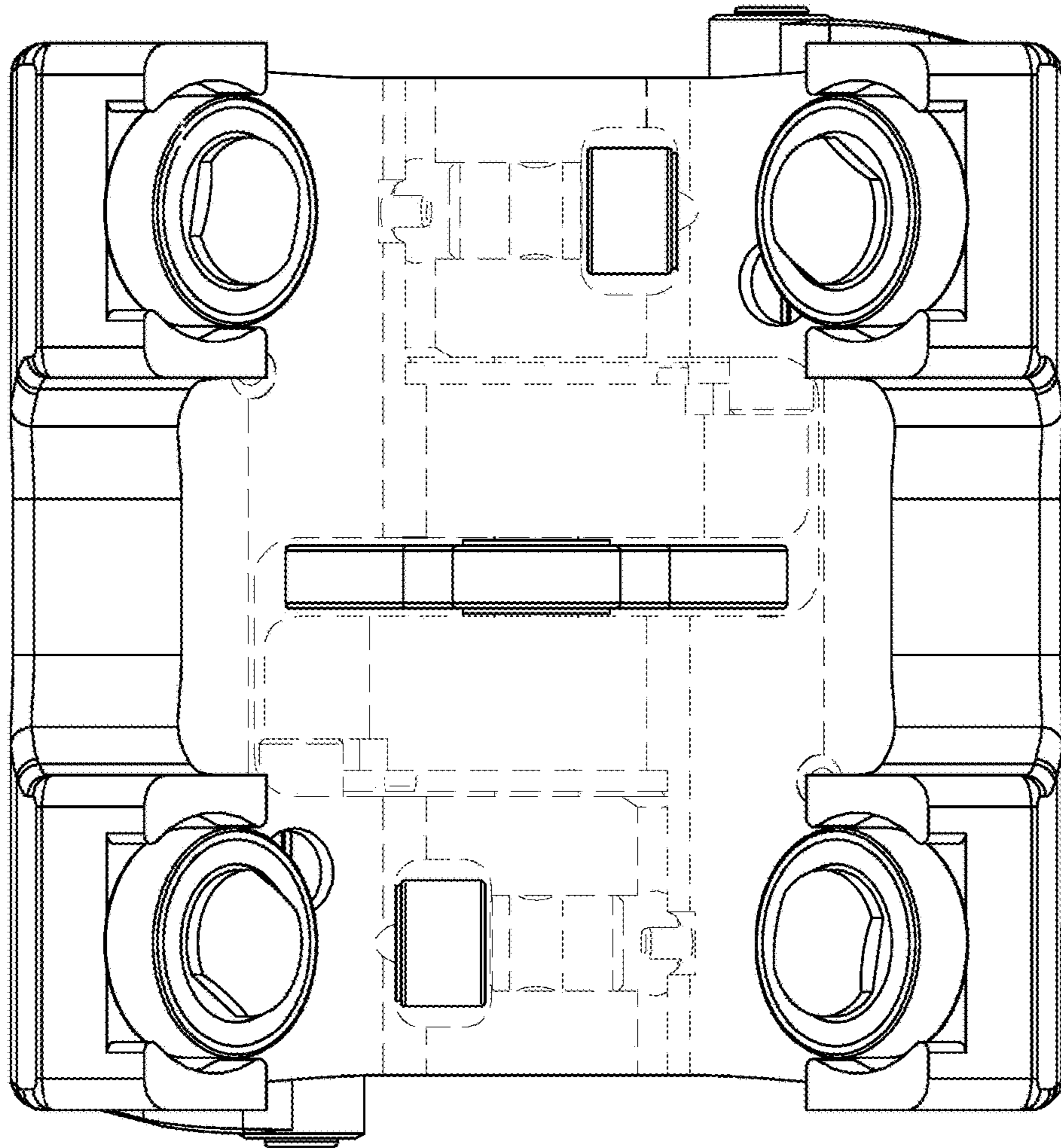
**1.3**



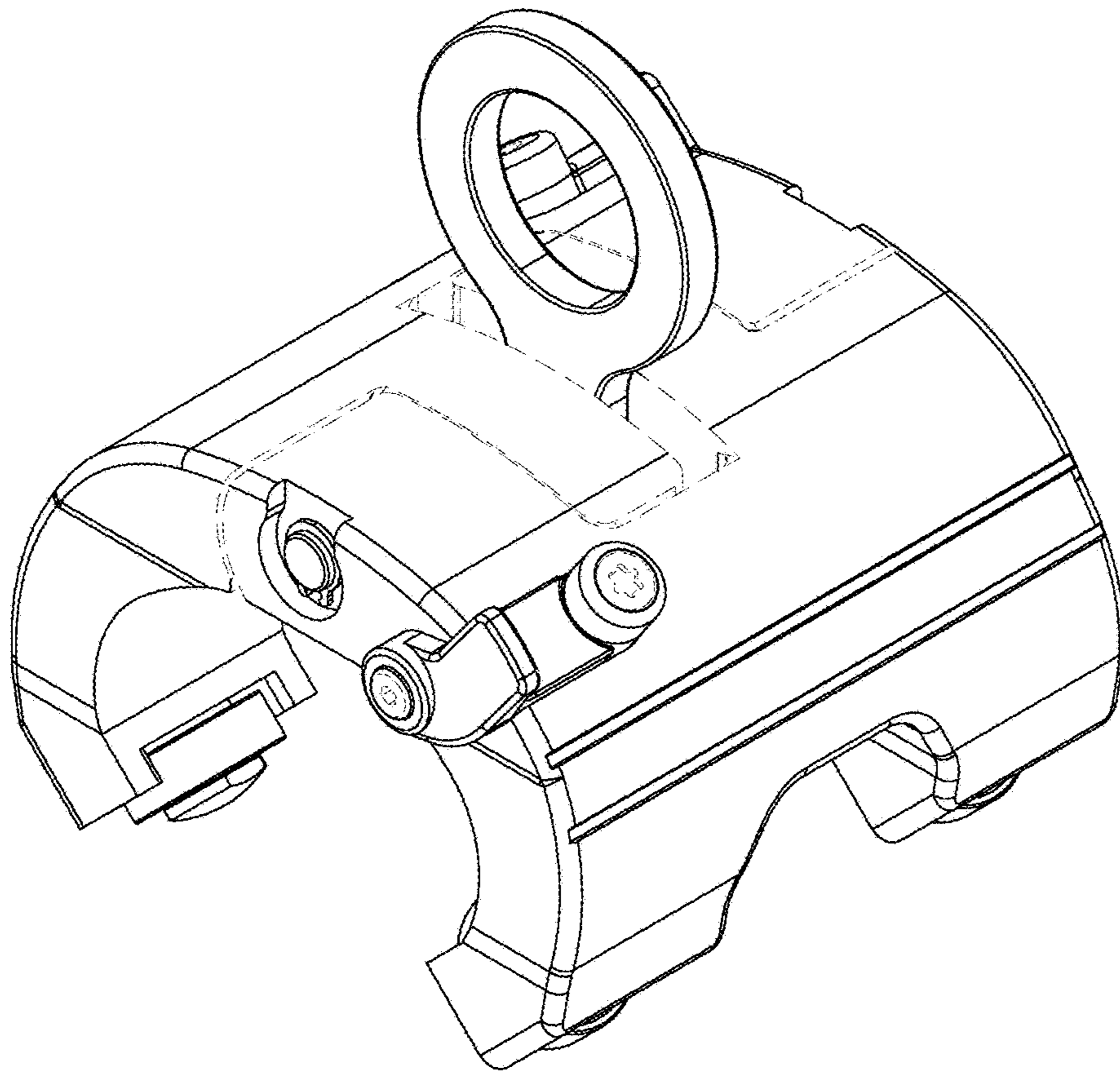
**1.4**



**1.5**



**1.6**



1.7