



US00D802844S

(12) **United States Design Patent**  
**Leitner**

(10) **Patent No.:** **US D802,844 S**

(45) **Date of Patent:** **\*\* Nov. 14, 2017**

(54) **SAFETY BELT FOR THE SEATS OF VEHICLES**

(71) Applicant: **FASCHING SALZBURG GMBH, Salzburg (AT)**

(72) Inventor: **Christian Leitner, Salzburg (AT)**

(\*\*) Term: **15 Years**

(21) Appl. No.: **35/500,793**

(22) Filed: **Oct. 8, 2015**

(80) **Hague Agreement Data**

Int. Filing Date: **Oct. 8, 2015**

Int. Reg. No.: **DM/088406**

Int. Reg. Date: **Oct. 8, 2015**

Int. Reg. Pub. Date: **Apr. 8, 2016**

(30) **Foreign Application Priority Data**

Apr. 16, 2015 (EM) ..... 002682591

(51) **LOC (10) Cl.** ..... **29-02**

(52) **U.S. Cl.**

USPC ..... **D29/100**

CPC ..... **B60R 22/34 (2013.01)**

(58) **Field of Classification Search**

USPC ..... D29/100; 242/379.1, 383.3, 371,  
242/382-383.5, 384-384.6;  
280/801.1-808

CPC ..... B60R 22/34-22/46

See application file for complete search history.

(56) **References Cited**

**U.S. PATENT DOCUMENTS**

4,497,458 A \* 2/1985 Gueguen ..... B60R 22/36  
242/376

4,573,646 A \* 3/1986 Willey ..... B60R 22/415  
242/382.2

4,583,701 A \* 4/1986 Matsui ..... B60R 22/415  
242/382.2

4,726,539 A \* 2/1988 Schmidt ..... B60R 22/415  
242/382.2  
4,928,902 A \* 5/1990 Tsuji ..... B60R 22/42  
242/381.1  
5,014,926 A \* 5/1991 Rumpf ..... B60R 22/405  
242/383.4  
5,232,177 A \* 8/1993 Hibata ..... B60R 22/415  
242/382.2  
5,232,178 A \* 8/1993 Hirata ..... B60R 22/42  
242/381.1  
5,507,448 A \* 4/1996 Park ..... B60R 22/405  
242/383.1  
5,687,926 A \* 11/1997 Park ..... B60R 22/405  
242/383.4  
6,241,173 B1 \* 6/2001 Wier ..... B60R 22/36  
242/382  
6,322,018 B1 \* 11/2001 Smithson ..... B60R 22/36  
242/382  
6,443,382 B1 \* 9/2002 Bae ..... B60R 22/405  
242/382.6

(Continued)

*Primary Examiner* — Richard E Chilcot

(57) **CLAIM**

The ornamental design for a safety belt for the seats of vehicles, as shown and described.

**DESCRIPTION**

The file of this patent contains at least one drawing/photograph executed in color. Copies of this patent with color drawing(s)/photograph(s) will be provided by the Office upon request and payment of the necessary fee.

FIG. 1.1 is a perspective view of a safety belt for the seats of vehicles;

FIG. 1.2 is a right side elevational view thereof;

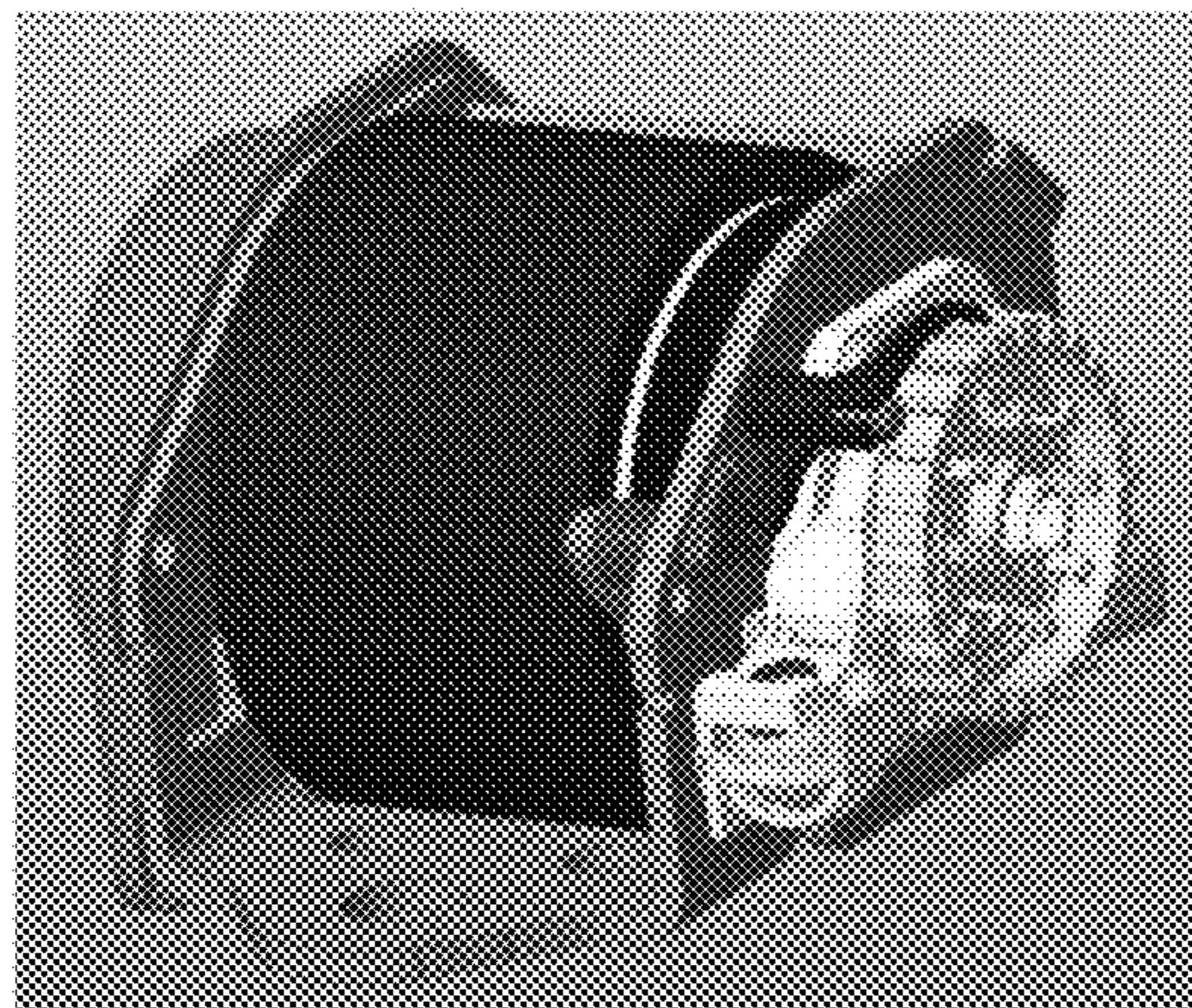
FIG. 1.3 is a top plan view thereof;

FIG. 1.4 is a front elevational view thereof;

FIG. 1.5 is a left side elevational view thereof; and

FIG. 1.6 is an enlarged partial view of the right side elevational view thereof.

**1 Claim, 6 Drawing Sheets**  
**(6 of 6 Drawing Sheet(s) Filed in Color)**



(56)

**References Cited**

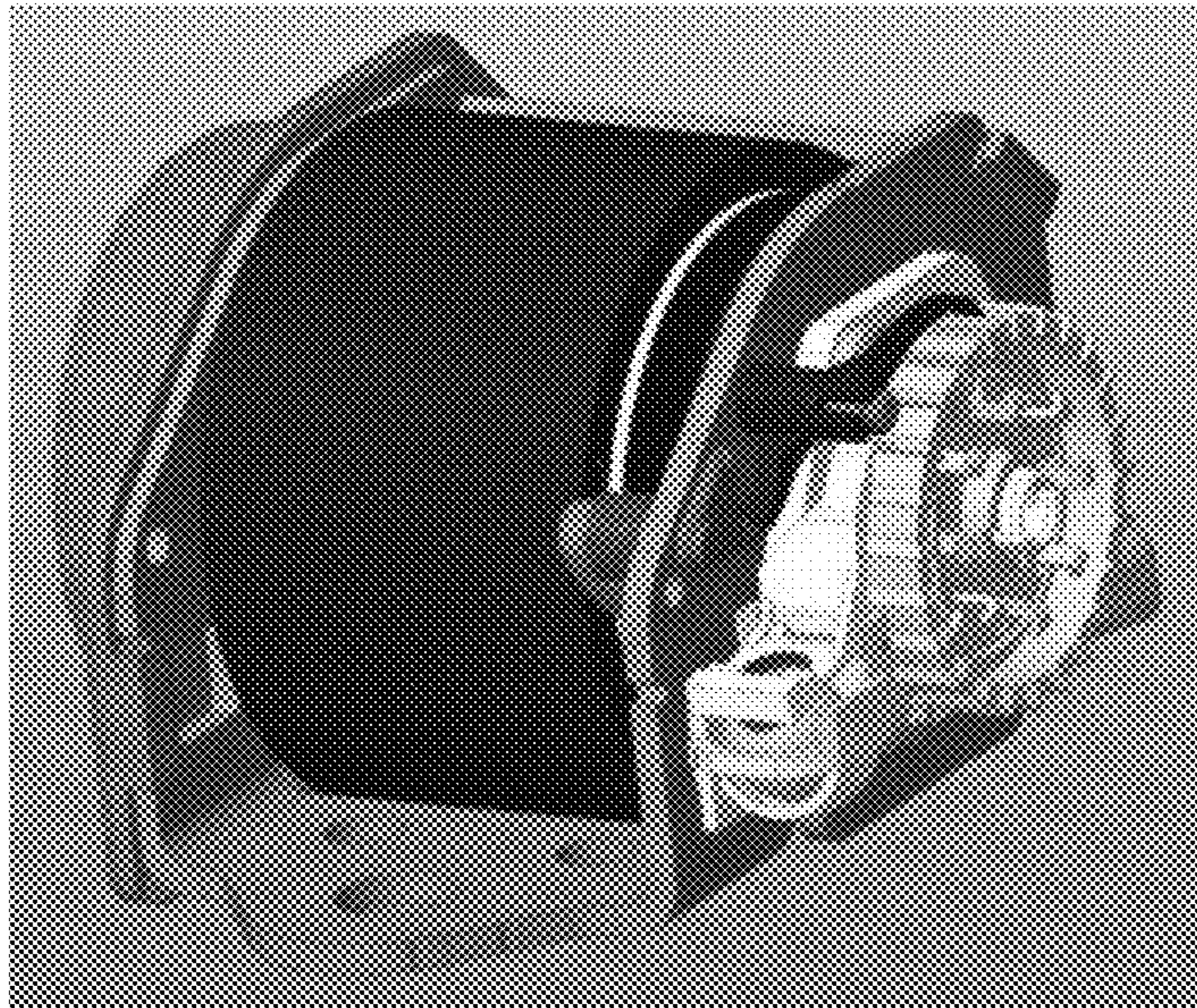
U.S. PATENT DOCUMENTS

6,871,813	B2 *	3/2005	Bae .....	B60R 22/3413 242/379.1
9,302,647	B2 *	4/2016	Fasching .....	B60R 22/38
2003/0111571	A1 *	6/2003	Weller .....	B60R 22/36 242/383.2
2007/0216214	A1 *	9/2007	Delventhal .....	B65H 75/48 297/478
2009/0189006	A1 *	7/2009	Bok .....	B60R 22/41 242/383
2009/0212159	A1 *	8/2009	O'Brien .....	B60R 22/00 244/121

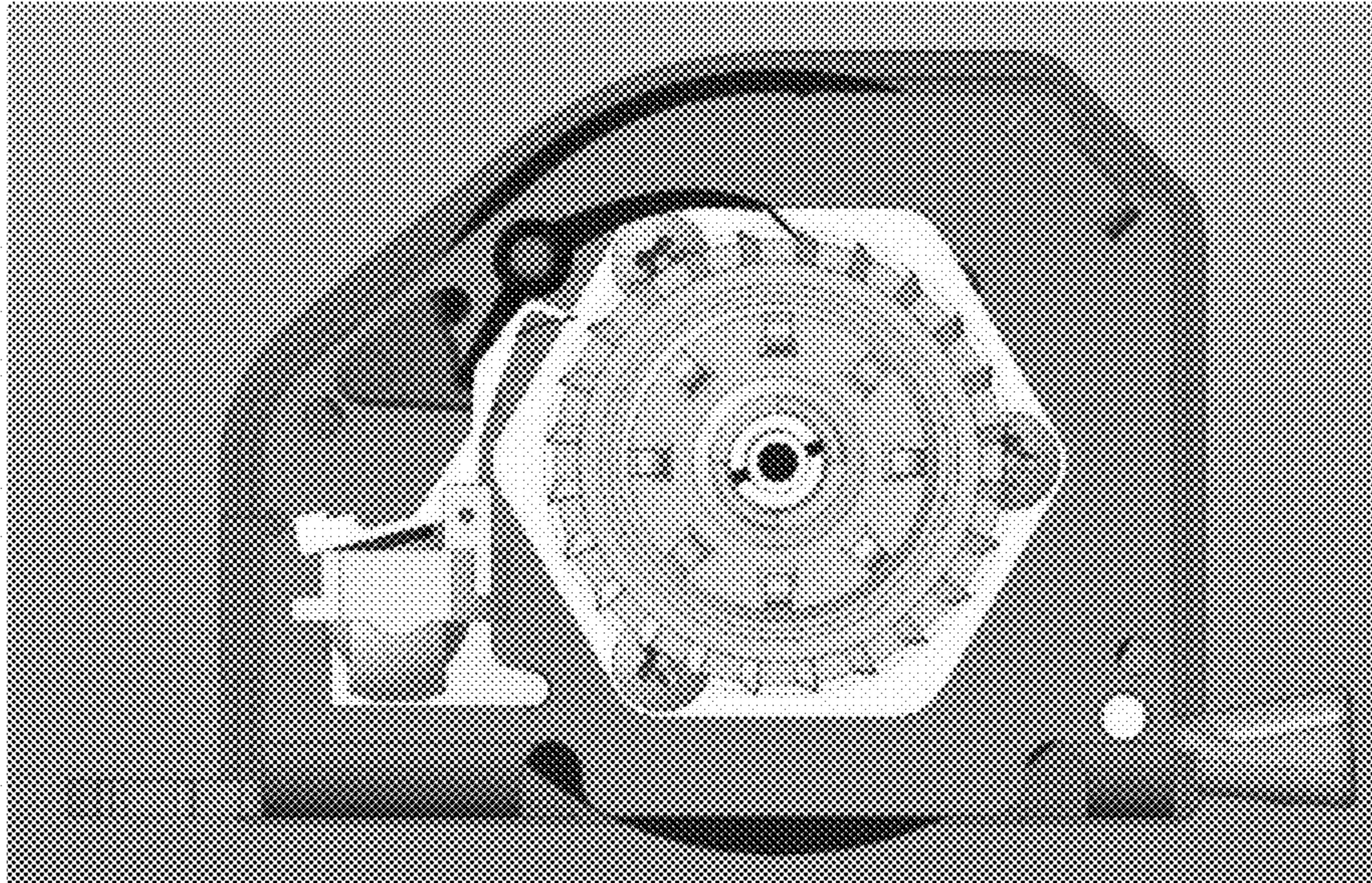
\* cited by examiner



**1.1**

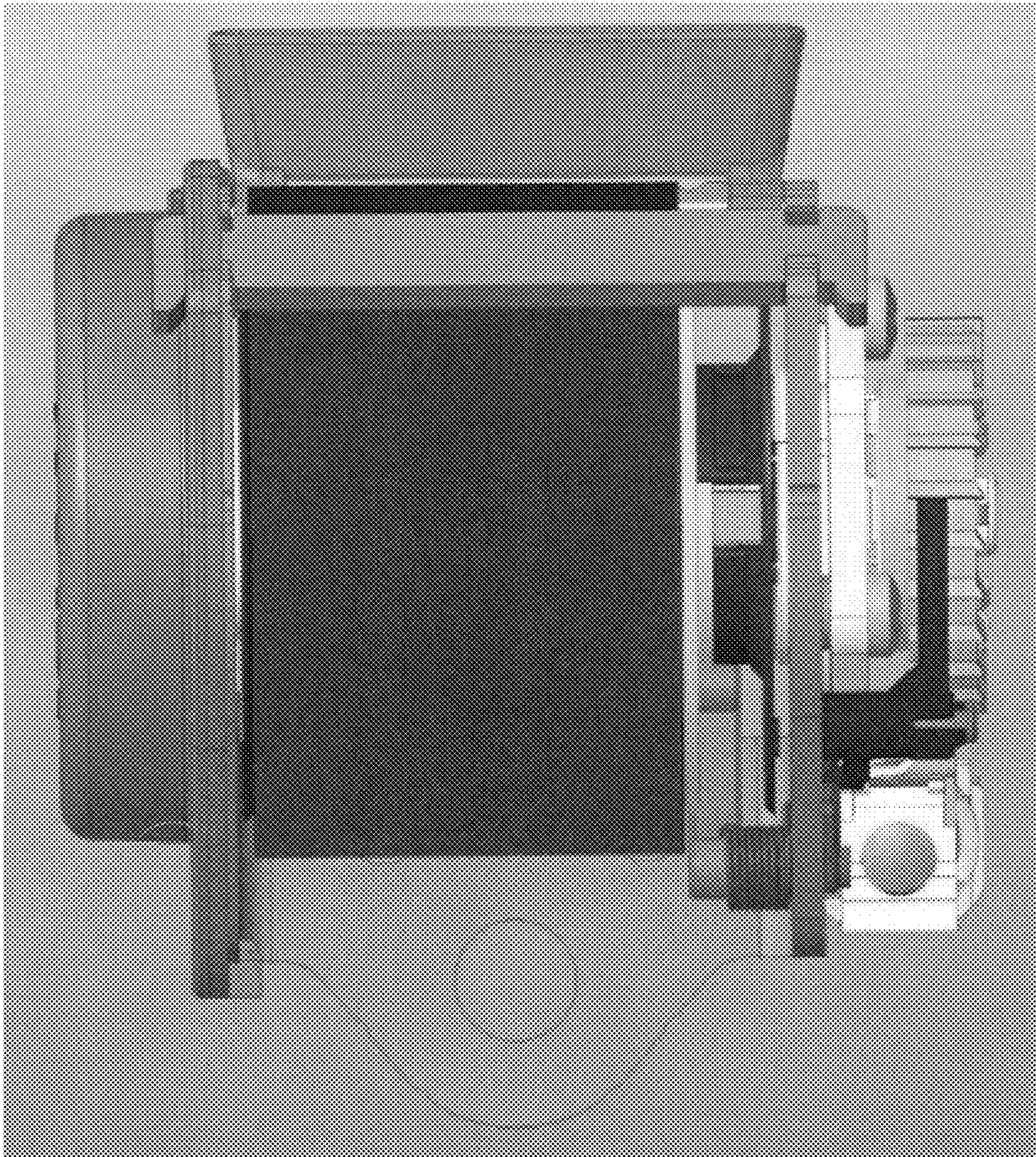


1.2



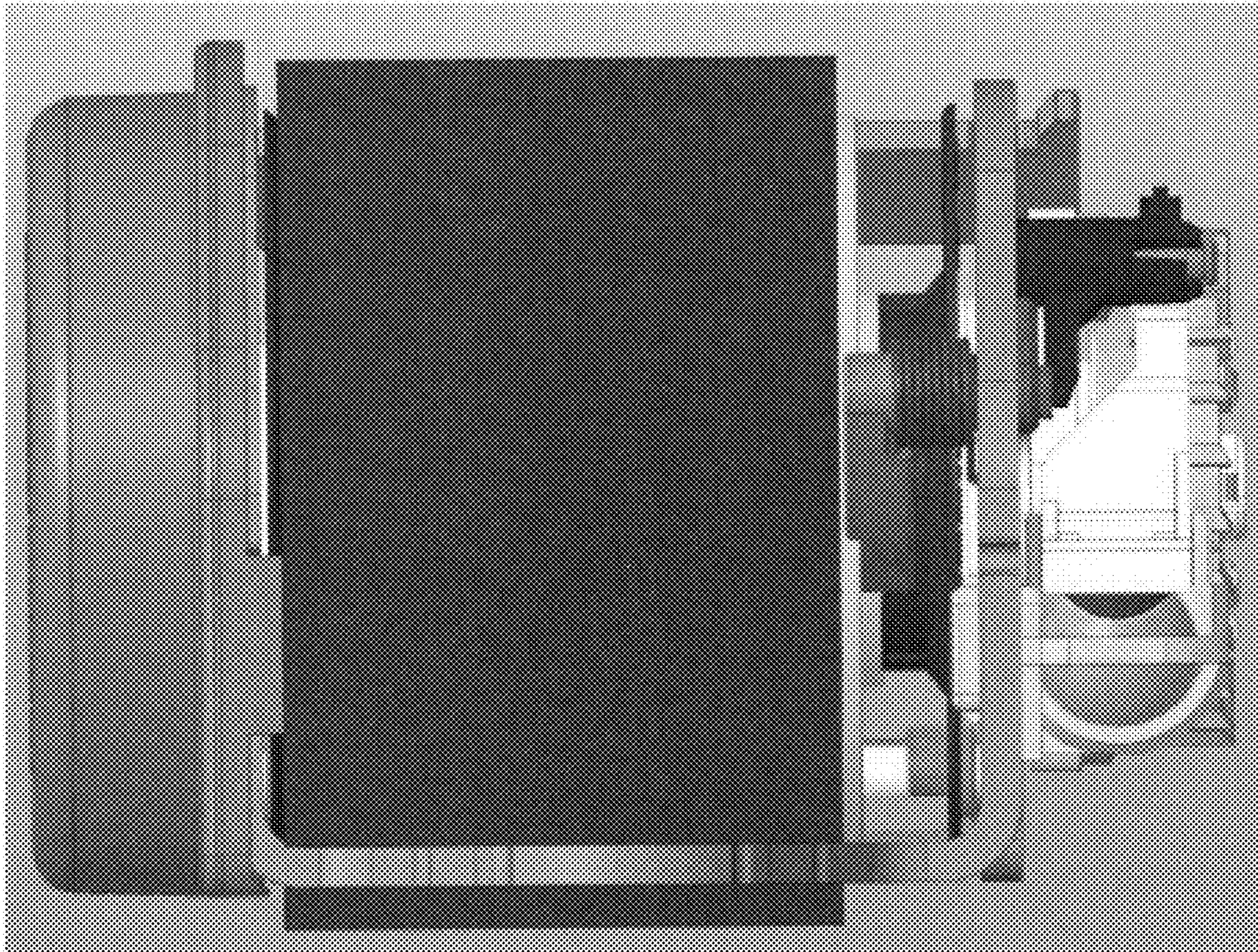


1.3



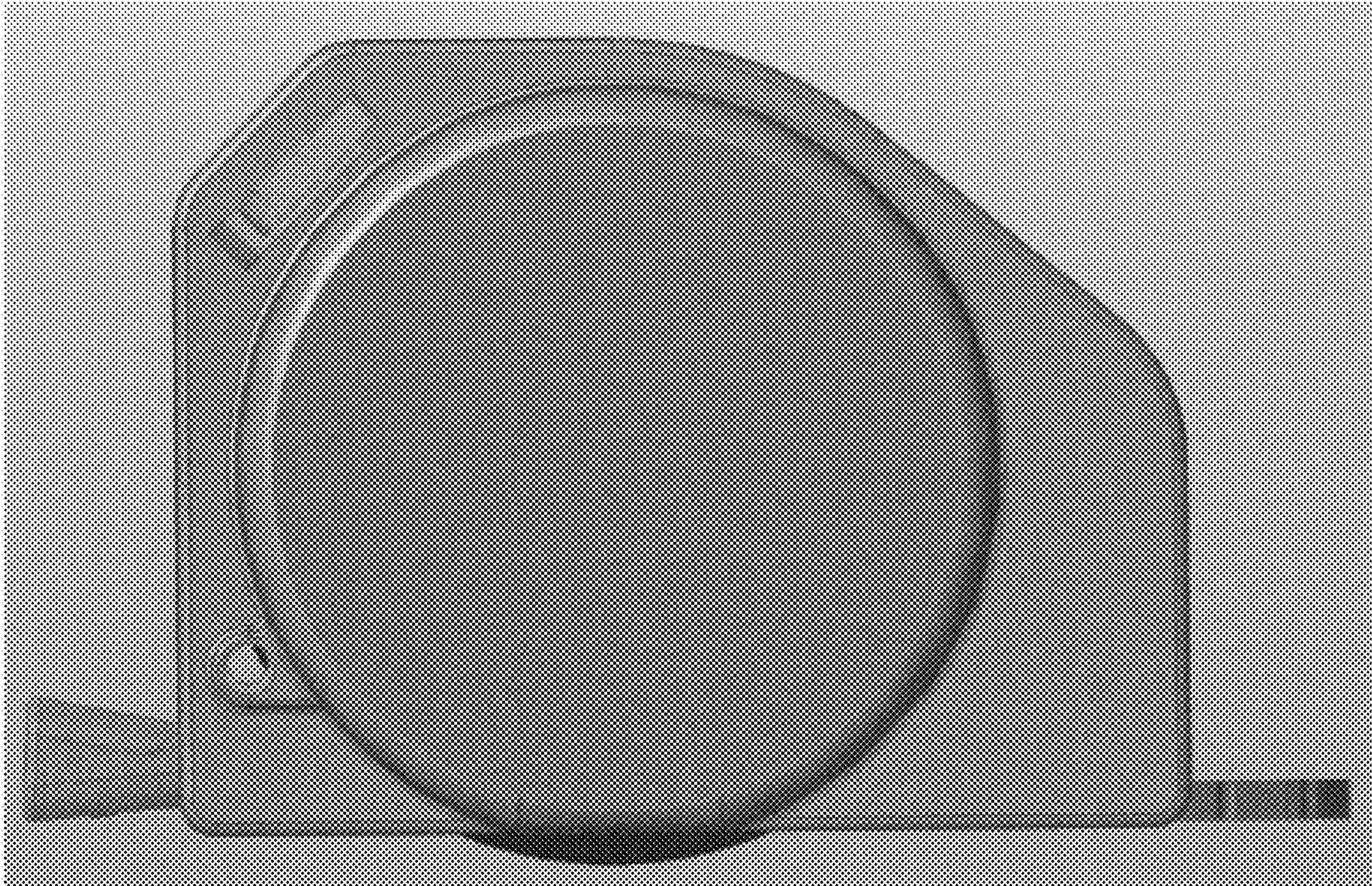


1.4





**1.5**





1.6

