



US00D802840S

(12) **United States Design Patent** (10) **Patent No.:** **US D802,840 S**
Donald et al. (45) **Date of Patent:** **** Nov. 14, 2017**

(54) **SOAP BAR** 5,250,210 A * 10/1993 Von Culin C11D 13/16
510/143
(71) Applicant: **JOSEPH JOSEPH, LTD.**, London D485,943 S * 1/2004 Wong D28/8.1
(GB) 7,726,963 B2 * 6/2010 Nakano C11D 13/16
425/348 S
(72) Inventors: **Simon Donald**, London (GB); **Joe D676,605 S * 2/2013 Marden D28/59**
Wentworth, London (GB) 2007/0132148 A1 * 6/2007 Nakano C11D 13/16
264/328.2
(73) Assignee: **Joseph Joseph Ltd.**, London (GB) 2007/0270322 A1 * 11/2007 Pak C11D 17/0047
510/141
(**) Term: **15 Years** 2012/0071387 A1 * 3/2012 Aesch, Jr. C11D 13/30
510/449

(21) Appl. No.: **29/562,430**

(22) Filed: **Apr. 26, 2016**

(30) **Foreign Application Priority Data**

Oct. 29, 2015 (EM) 002841015-0001

(51) **LOC (10) Cl.** **28-02**

(52) **U.S. Cl.**
USPC **D28/8.1**

(58) **Field of Classification Search**
USPC 510/141, 147, 148; D28/8.1-8.2
CPC . C11D 17/00; C11D 17/0017; C11D 17/0026;
C11D 17/0047-17/0095; C11D 13/16;
C11D 13/18; C11D 13/20; C11D 17/02
See application file for complete search history.

(56) **References Cited**

U.S. PATENT DOCUMENTS

D285,490 S * 9/1986 Tovey D28/8.1
D304,626 S * 11/1989 Contractor D28/8.1

* cited by examiner

Primary Examiner — Jennifer Rivard

(74) *Attorney, Agent, or Firm* — Millen White Zelano & Branigan, P.C.

(57) **CLAIM**

The ornamental design for a soap bar, as shown and described.

DESCRIPTION

FIG. 1 is a top perspective view of the soap bar showing my new design.

FIG. 2 is a bottom perspective view thereof.

FIG. 3 is a right side view thereof.

FIG. 4 is a left side view thereof.

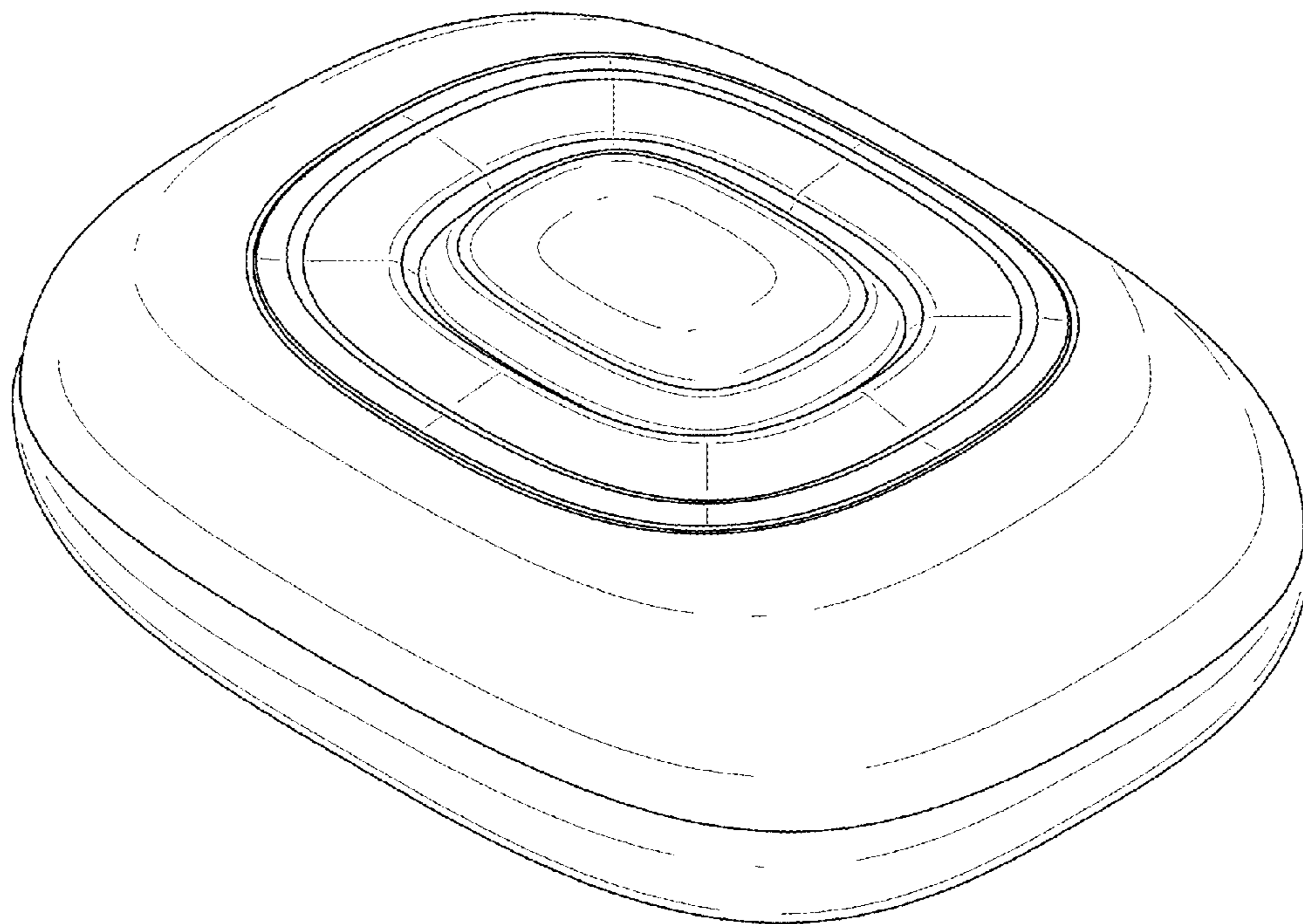
FIG. 5 is a front end view thereof.

FIG. 6 is a rear end view thereof.

FIG. 7 is a top view thereof; and,

FIG. 8 is a bottom view thereof.

1 Claim, 8 Drawing Sheets



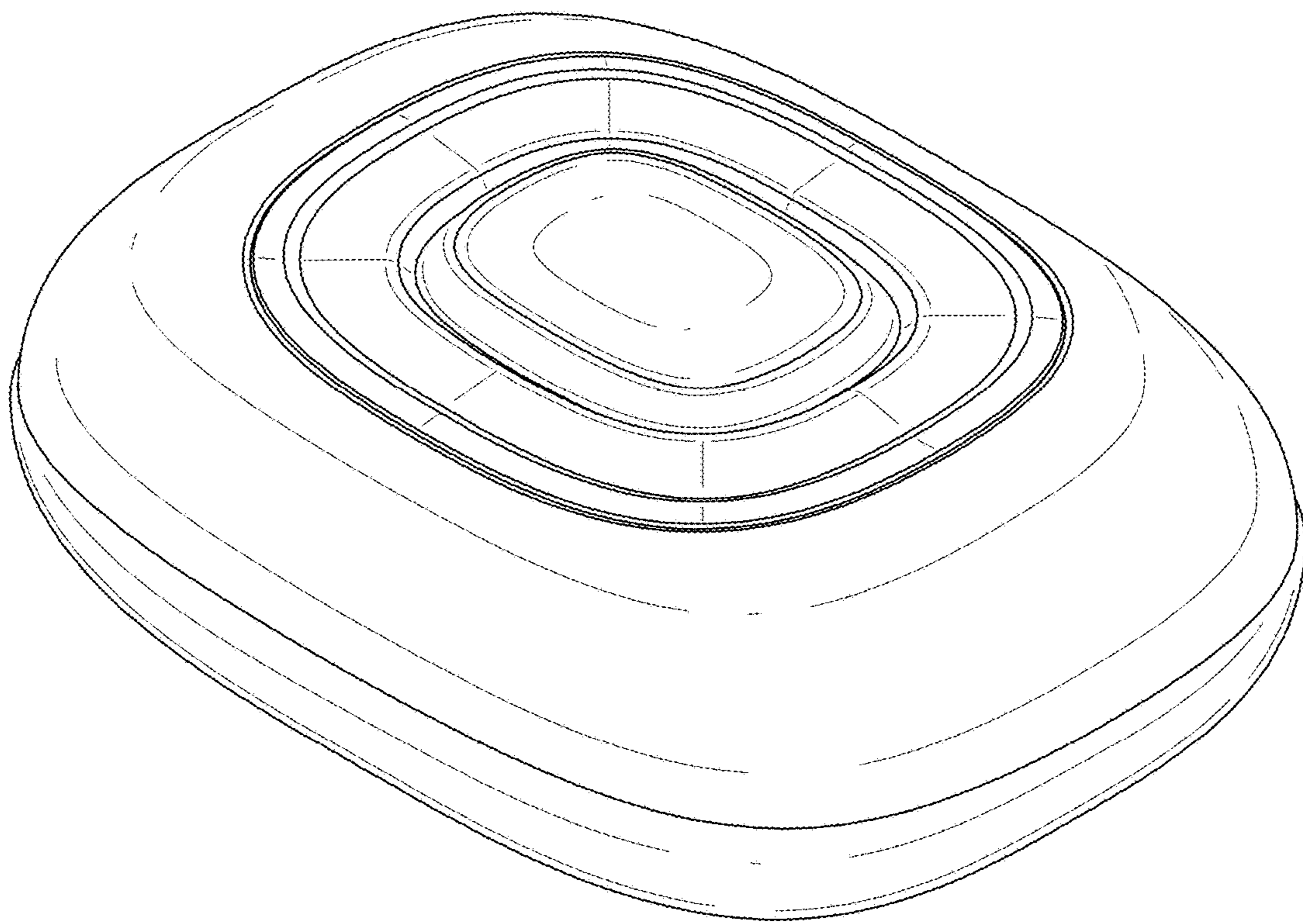


FIG. 1

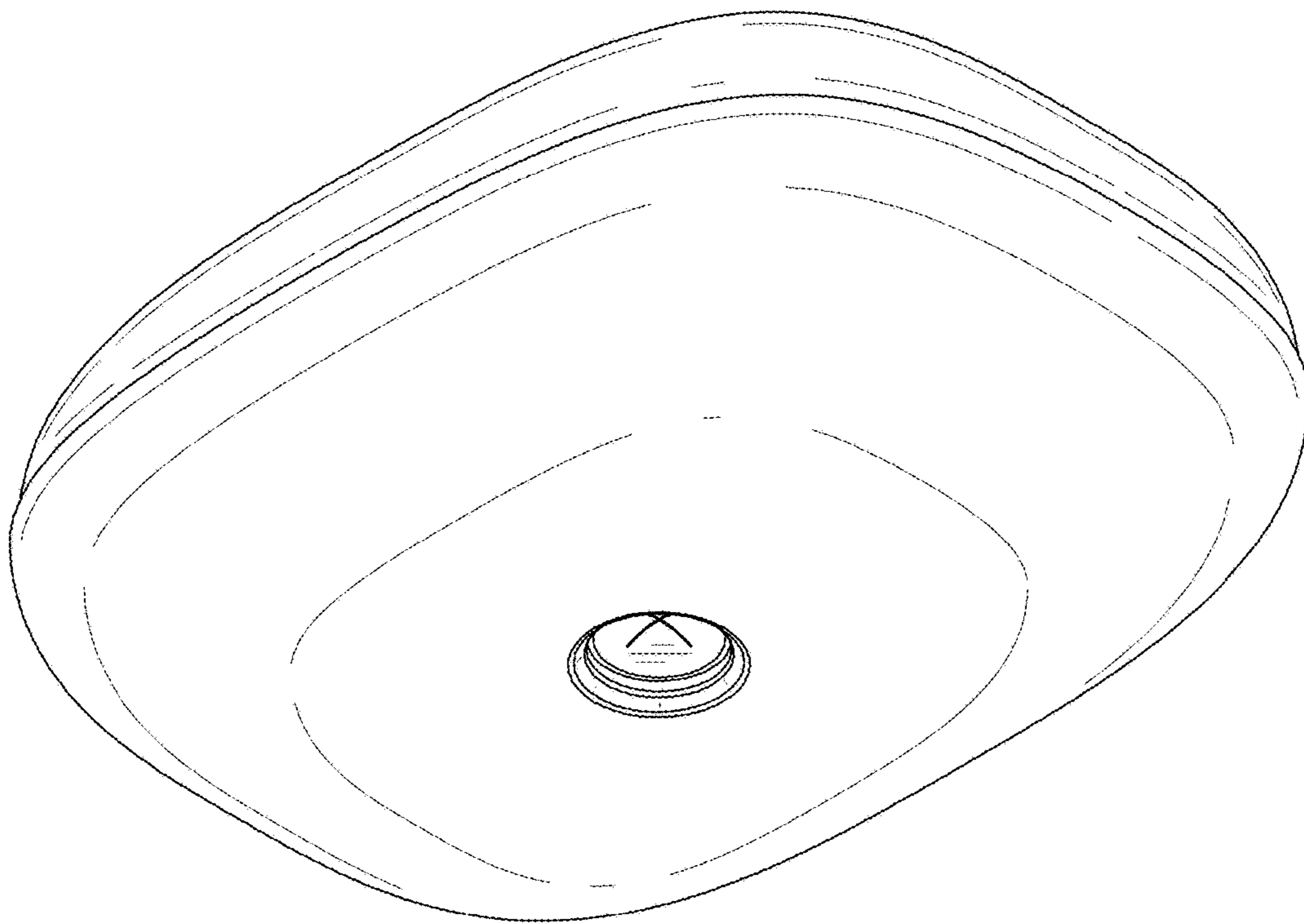


FIG. 2

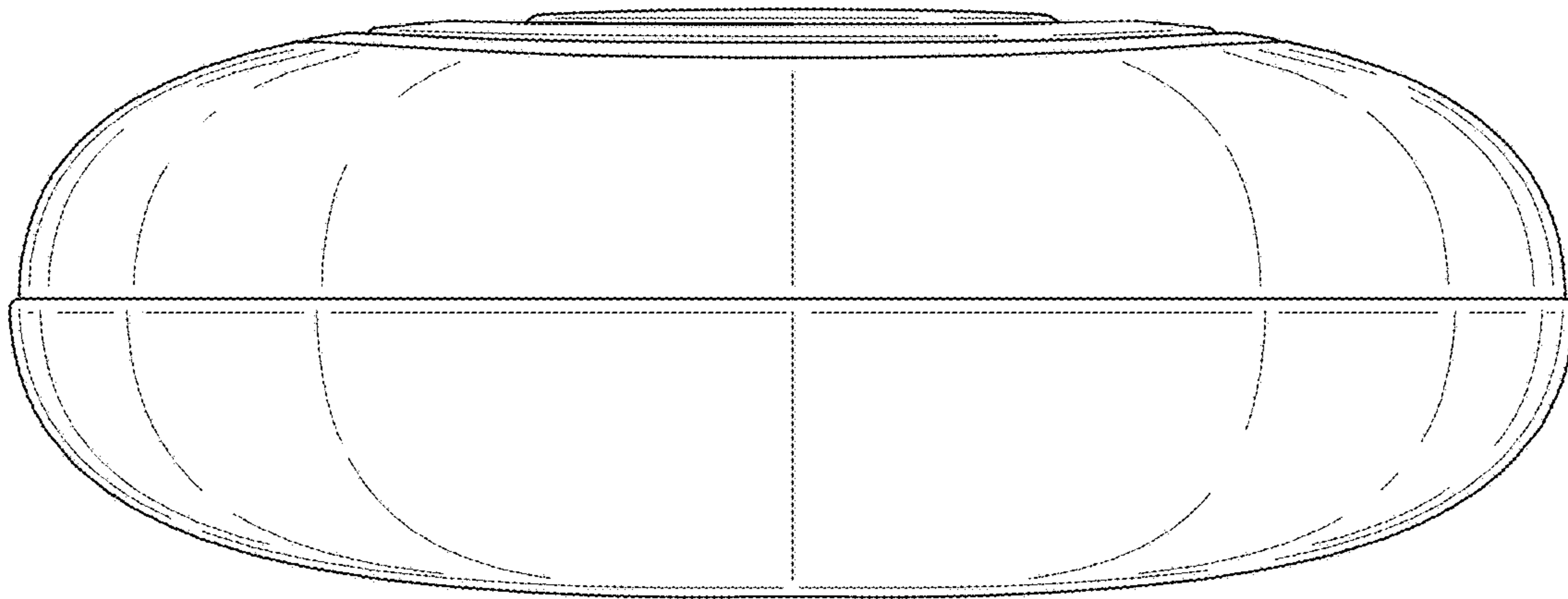


FIG. 3

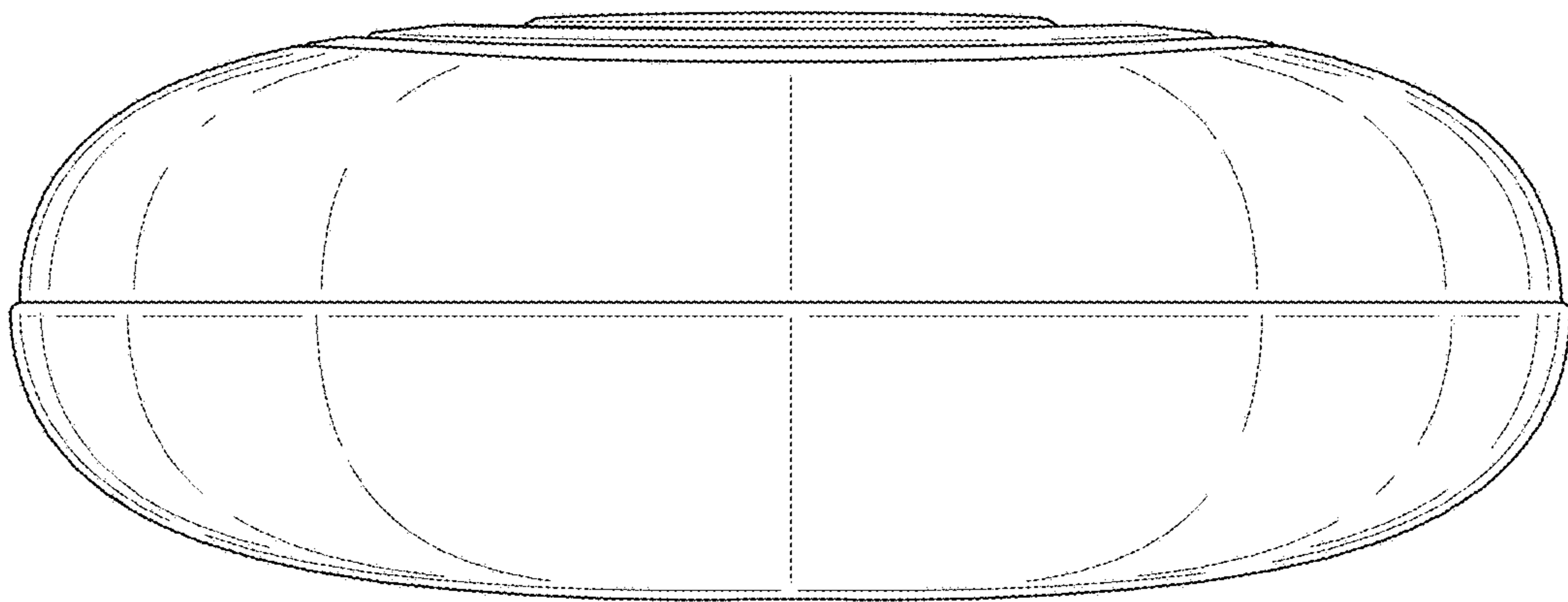


FIG. 4

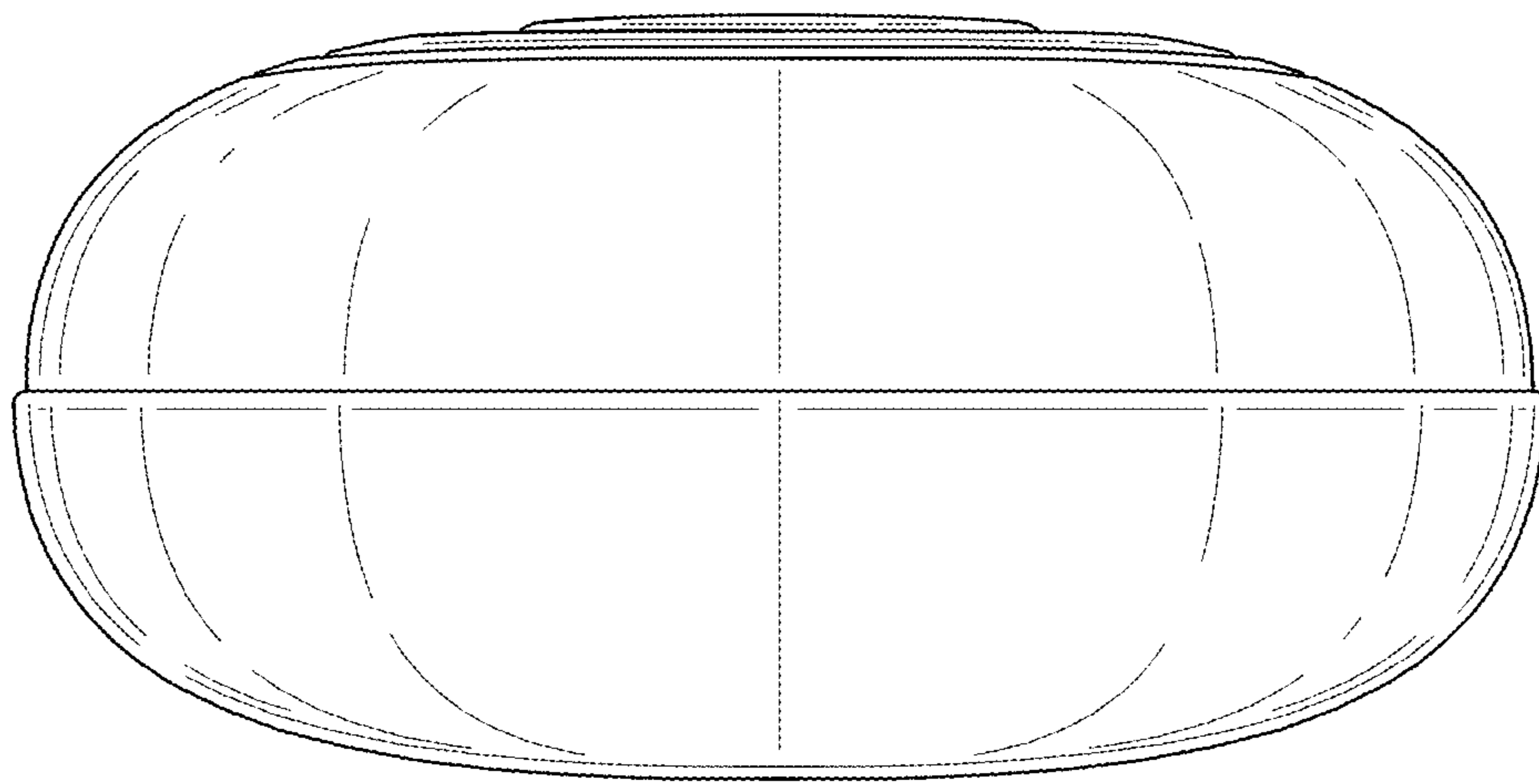


FIG. 5

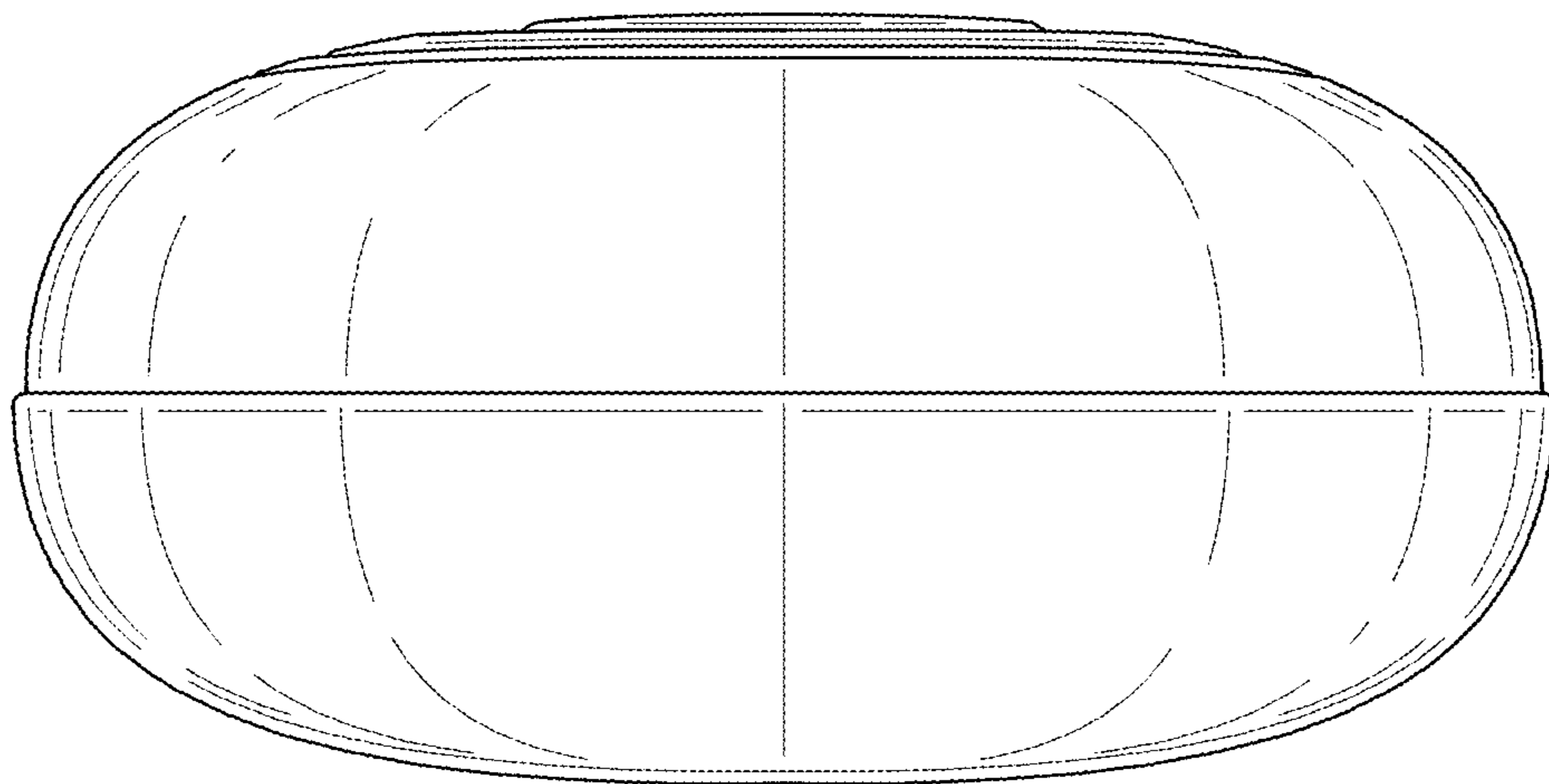


FIG. 6

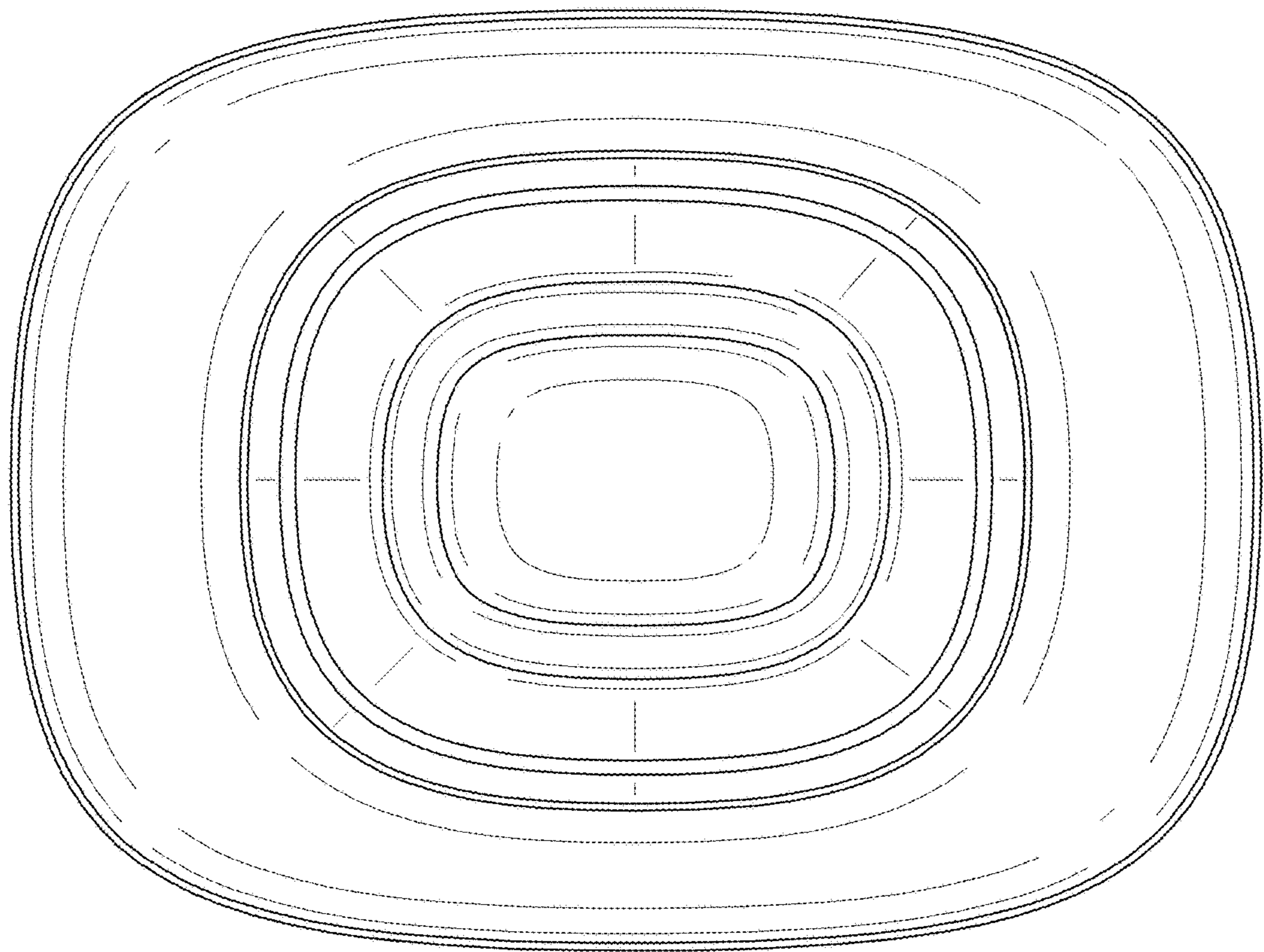


FIG. 7

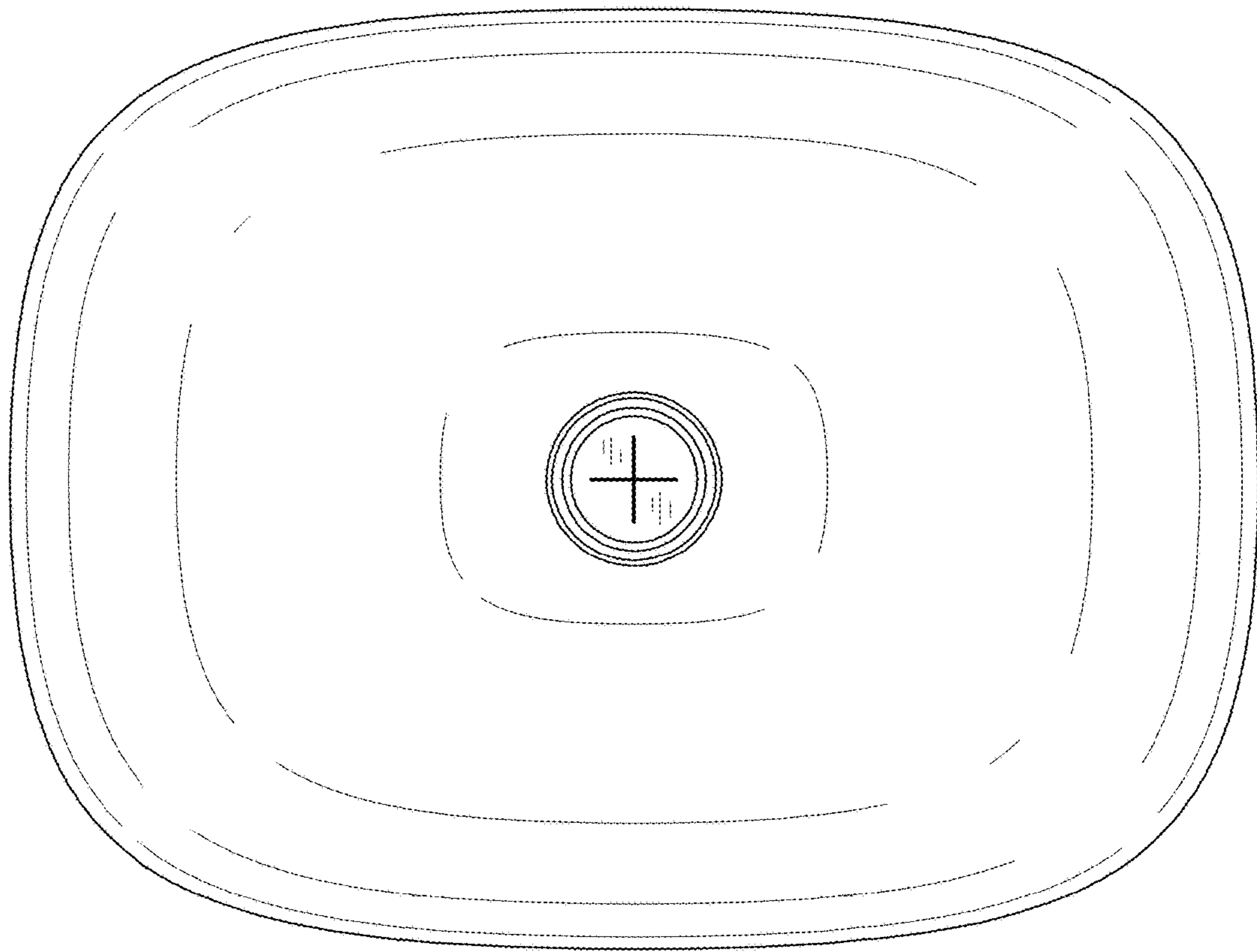


FIG. 8