



US00D802839S

(12) **United States Design Patent** (10) **Patent No.:** **US D802,839 S**
Scott (45) **Date of Patent:** **** Nov. 14, 2017**

(54) **E-LIQUID DISPENSING ACCESSORY FOR REFILLING ELECTRONIC CIGARETTES**

(71) Applicant: **Nerudia Limited**, Liverpool (GB)

(72) Inventor: **Kenneth Scott**, Liverpool (GB)

(73) Assignee: **Nerudia Limited**, Liverpool (GB)

(**) Term: **15 Years**

(21) Appl. No.: **29/543,345**

(22) Filed: **Oct. 23, 2015**

(30) **Foreign Application Priority Data**

Apr. 24, 2015 (EM) 002688838-0002
Apr. 24, 2015 (EM) 002688838-0003
Apr. 24, 2015 (EM) 002688838-0004
Apr. 24, 2015 (EM) 002688853-0001

(51) **LOC (10) Cl.** **27-99**

(52) **U.S. Cl.**
USPC **D27/194**

(58) **Field of Classification Search**
USPC D27/100, 101, 162, 163-167, 169, 170,
D27/171, 193, 194; D23/202; D13/103
CPC A24F 47/008; A24F 47/002; A24F 15/12;
A24F 47/00
See application file for complete search history.

(56) **References Cited**

U.S. PATENT DOCUMENTS

D644,375 S * 8/2011 Zhou D27/101
D653,803 S * 2/2012 Timmermans D27/163

D695,450 S * 12/2013 Benassayag D24/110.5
D720,095 S * 12/2014 Alima D27/101
D720,496 S * 12/2014 Alima D27/101
D725,310 S * 3/2015 Eksouzian D27/101
D732,239 S * 6/2015 Chen D27/101
D751,249 S * 3/2016 Chen D27/101
D759,303 S * 6/2016 Afridi D27/101
D760,948 S * 7/2016 Eksouzian D27/101
2014/0290677 A1* 10/2014 Liu A61M 15/06
131/329
2015/0090253 A1* 4/2015 Farrow A24F 47/008
128/200.14
2015/0342255 A1* 12/2015 Wu A61M 15/06
131/329

* cited by examiner

Primary Examiner — Robert M Spear

Assistant Examiner — Marissa J Cash

(74) *Attorney, Agent, or Firm* — McDonnell Boehnen
Hulbert & Berghoff LLP

(57) **CLAIM**

The ornamental design for an e-liquid dispensing accessory for refilling electronic cigarettes, as shown and described.

DESCRIPTION

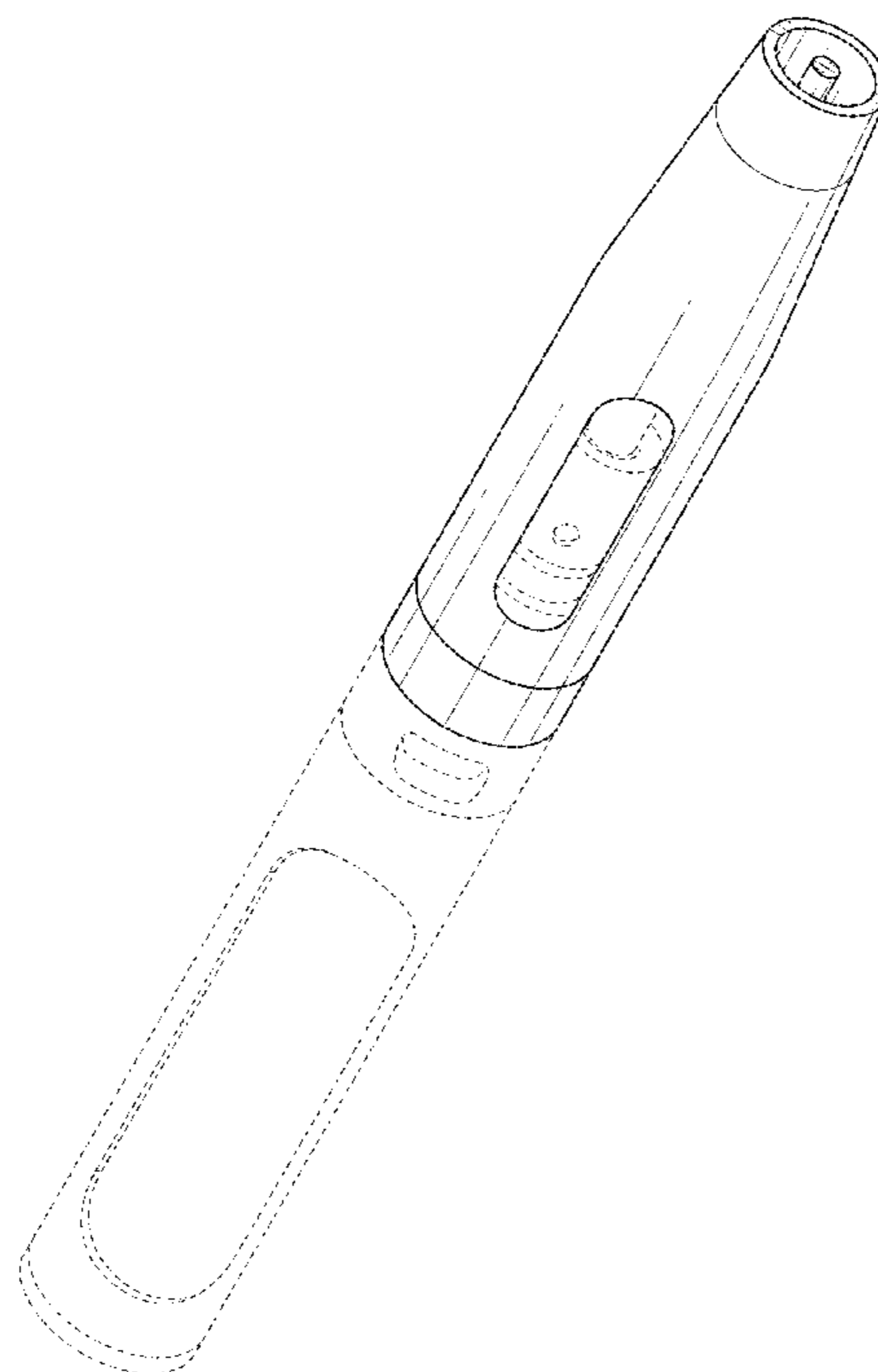
FIG. 1 is a perspective view of an e-liquid dispensing accessory for refilling electronic cigarettes of the present design;

FIG. 2 is a top view thereof;

FIG. 3 is a bottom view thereof; and,

FIG. 4 is a perspective view of the e-liquid dispensing accessory for refilling electronic cigarettes of FIG. 1, shown in an environment of use.

1 Claim, 4 Drawing Sheets



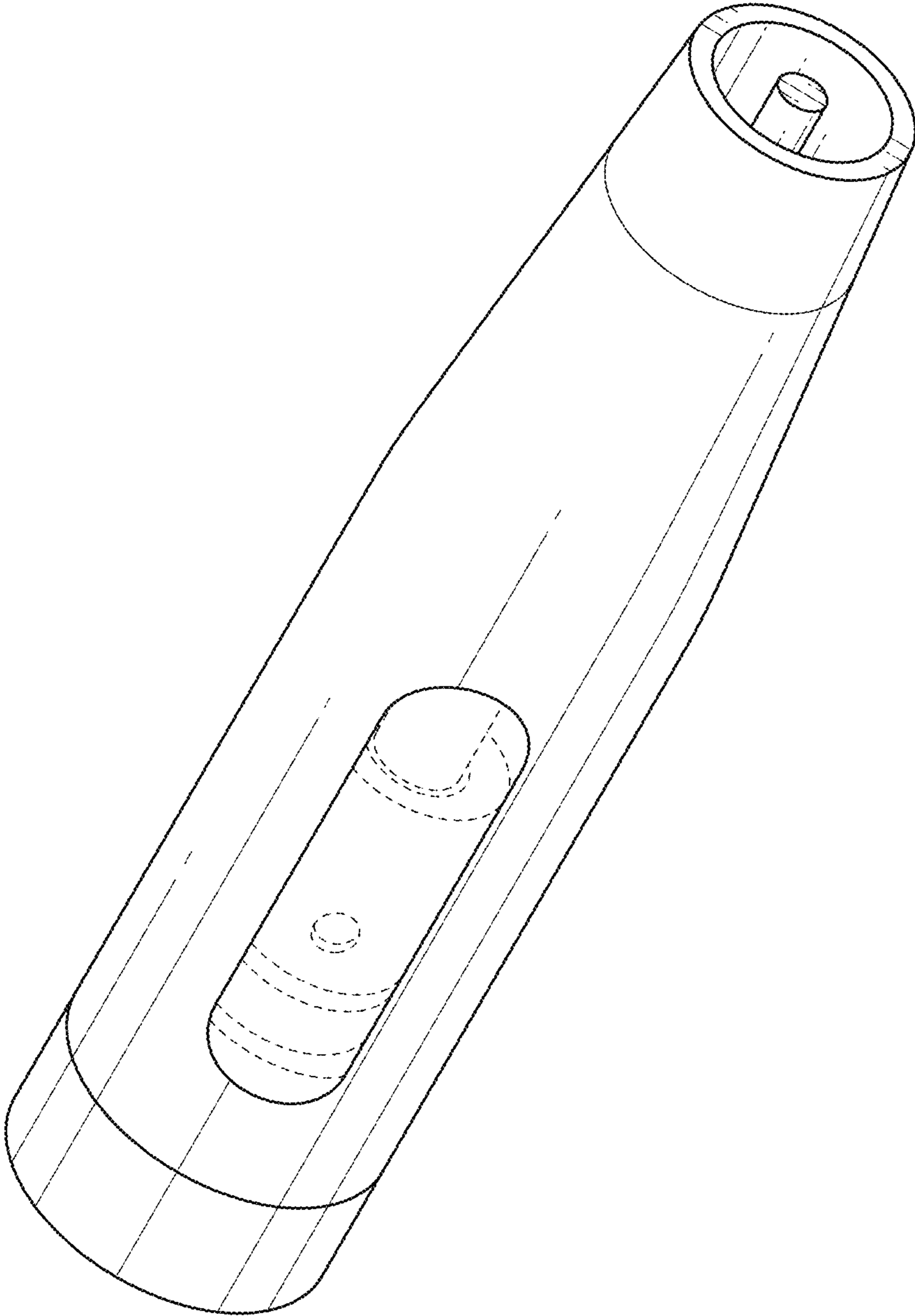


FIG. 1

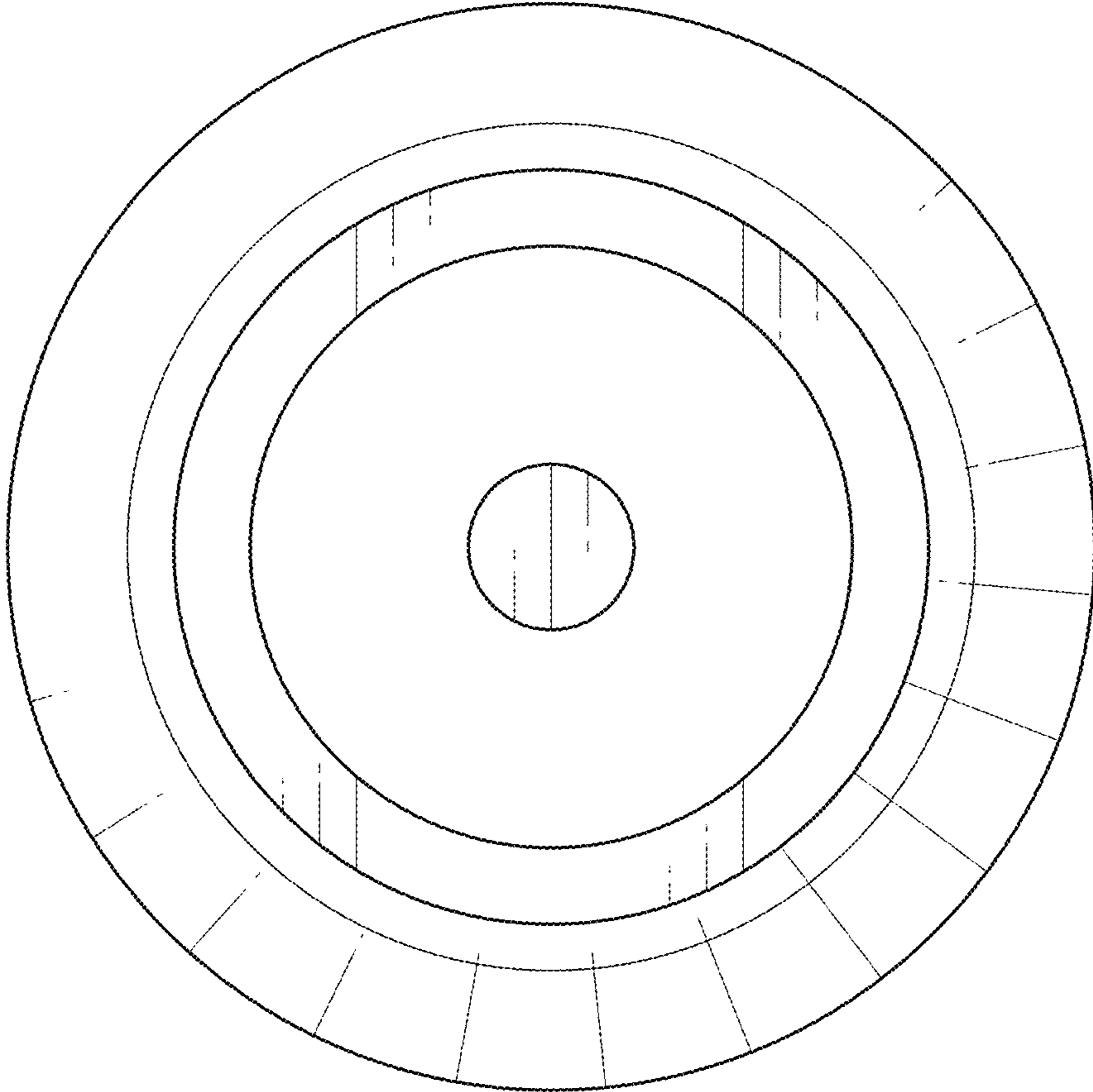


FIG. 2

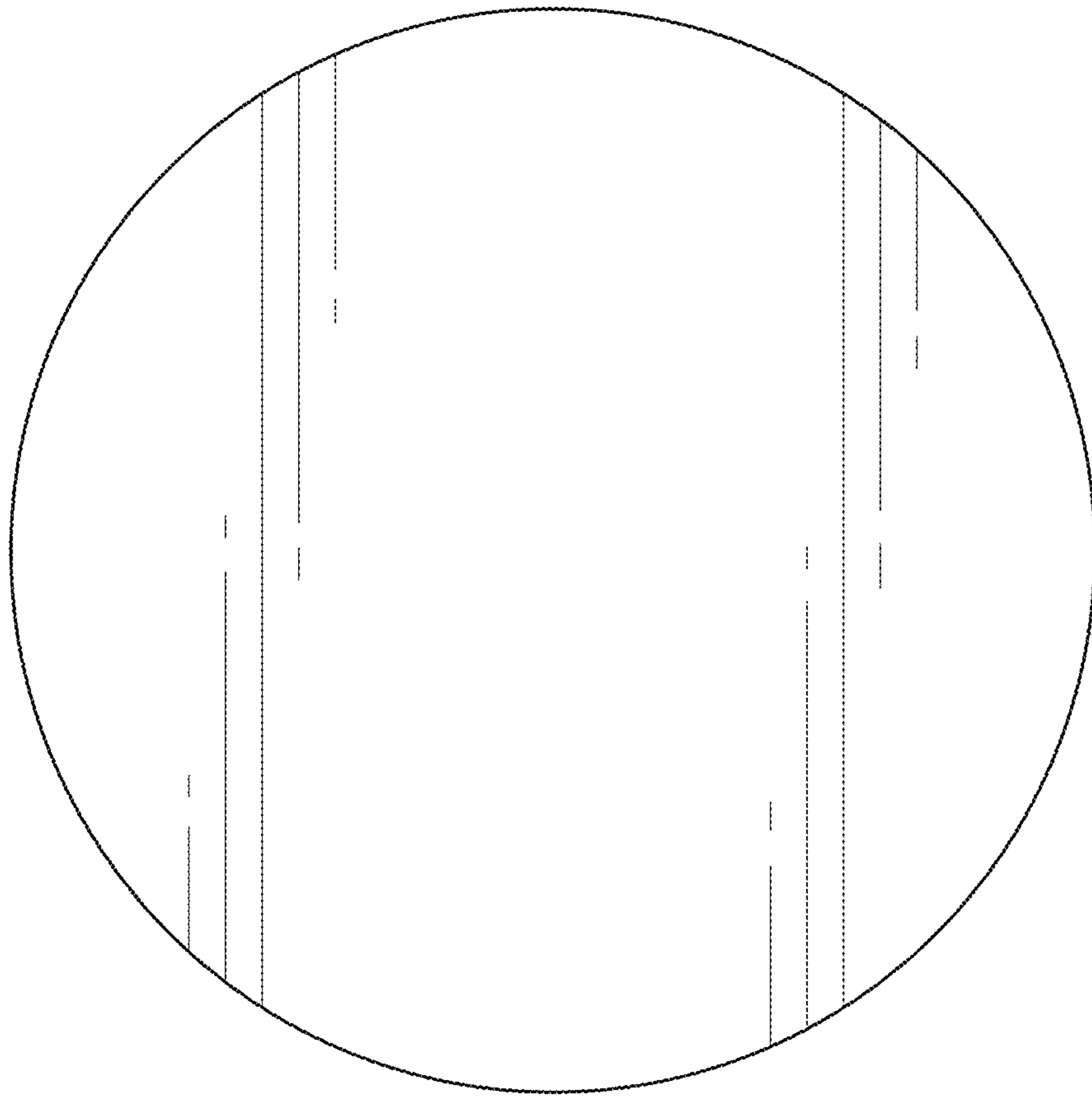


FIG. 3

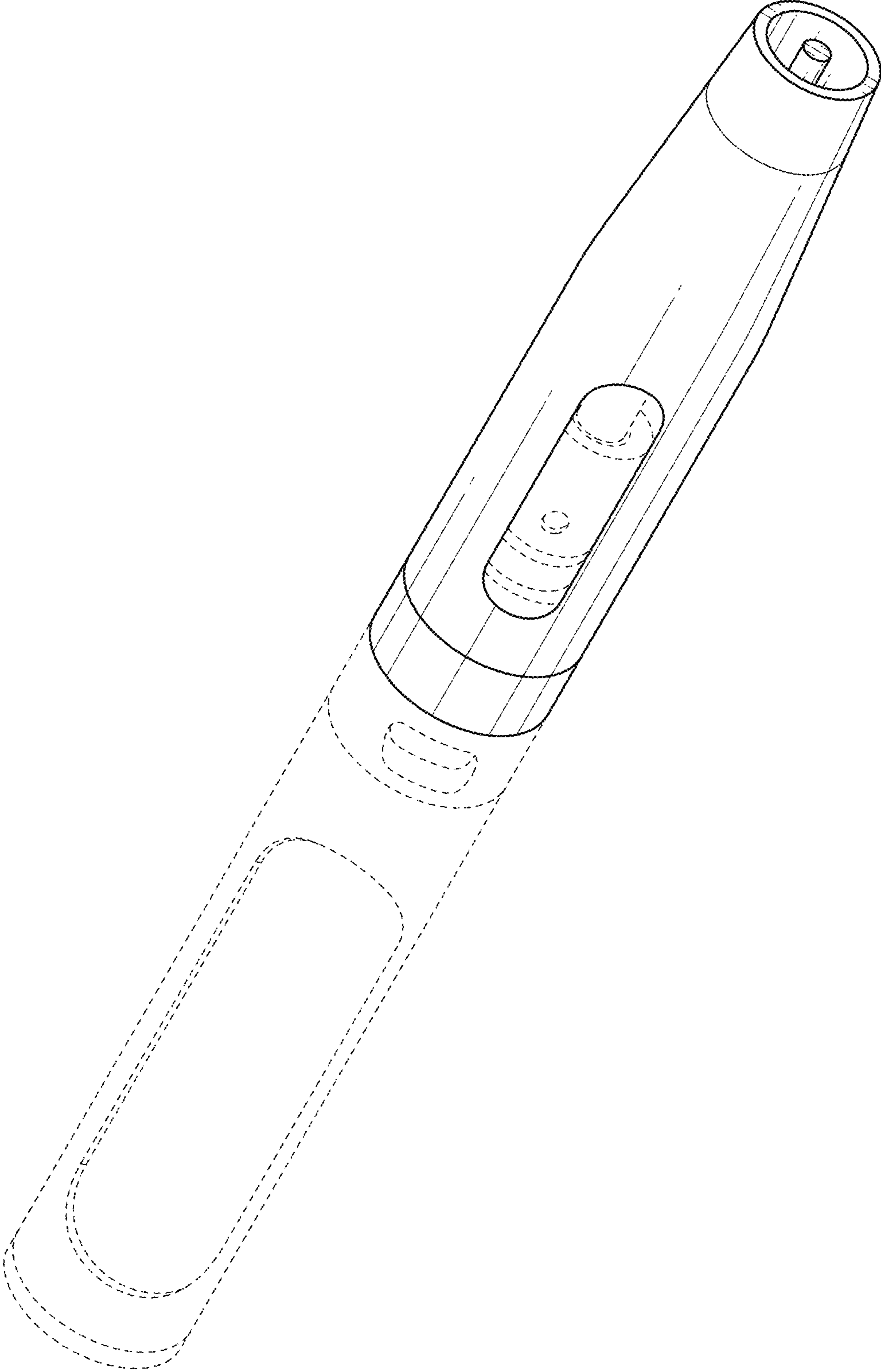


FIG. 4

UNITED STATES PATENT AND TRADEMARK OFFICE
CERTIFICATE OF CORRECTION

PATENT NO. : D802,839 S
APPLICATION NO. : 29/543345
DATED : November 14, 2017
INVENTOR(S) : Kenneth Scott

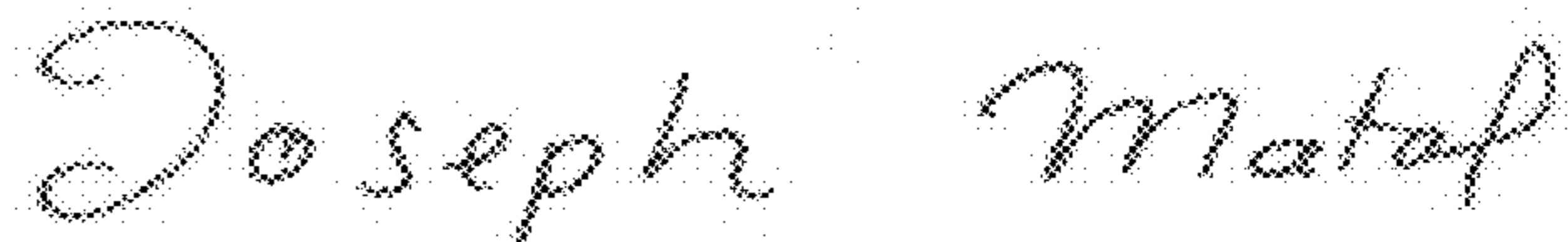
Page 1 of 1

It is certified that error appears in the above-identified patent and that said Letters Patent is hereby corrected as shown below:

On the Title Page

Item [30] Foreign Application Priority Data, please delete "002688853-0001" and insert
--002688838-0001--

Signed and Sealed this
Thirtieth Day of January, 2018



Joseph Matal

*Performing the Functions and Duties of the
Under Secretary of Commerce for Intellectual Property and
Director of the United States Patent and Trademark Office*