



US00D802837S

(12) **United States Design Patent**  
**Thompson**

(10) **Patent No.:** **US D802,837 S**

(45) **Date of Patent:** **\*\* Nov. 14, 2017**

(54) **SNUFF CAN HOLDER**

(71) Applicant: **South Georgia Microsystems Inc.,**  
Baxley, GA (US)

(72) Inventor: **Richard Thompson,** Baxley, GA (US)

(73) Assignee: **SOUTH GEORGIA**  
**MICROSYSTEMS INC.,** Baxley, GA  
(US)

(\*\*) Term: **15 Years**

(21) Appl. No.: **29/560,948**

(22) Filed: **Apr. 12, 2016**

(51) **LOC (10) Cl.** ..... **27-06**

(52) **U.S. Cl.**  
USPC ..... **D27/186**

(58) **Field of Classification Search**  
USPC ..... D27/100, 101, 102, 162, 163, 164, 165,  
D27/166, 167, 168, 169, 170, 171, 172,  
D27/175, 180, 183, 184, 186, 187, 188,  
D27/189, 193, 194; D12/411, 419;  
D3/215, 229, 202

CPC ..... A24F 1/10; A24F 13/14; A24F 19/00  
See application file for complete search history.

(56) **References Cited**

U.S. PATENT DOCUMENTS

D171,359 S *	1/1954	Keyston	.....	224/182
D286,949 S *	12/1986	Hardman	.....	224/197
D288,305 S *	2/1987	Latchman	.....	D12/411
D346,996 S *	5/1994	Blackburn	.....	D12/411
D361,200 S *	8/1995	Wahl	.....	D3/229
D365,250 S *	12/1995	Bergin	.....	D7/620
D368,628 S *	4/1996	Bergin	.....	D7/620
D419,129 S *	1/2000	Kilderry	.....	D12/411
D425,012 S *	5/2000	Bergin	.....	D12/419
D449,814 S *	10/2001	Guertin	.....	D12/411
D456,603 S *	5/2002	Phetthaweebancha	.....	D3/215

D464,484 S *	10/2002	Landen	.....	D3/229
D478,479 S *	8/2003	Garvin	.....	D7/620
D483,939 S *	12/2003	Kountz	.....	D3/215
D495,871 S *	9/2004	Moffitt	.....	D3/215
D548,957 S *	8/2007	Lowe	.....	D27/186
D559,531 S *	1/2008	Koppe	.....	D27/186
D595,954 S *	7/2009	Collins	.....	D27/186
D597,300 S *	8/2009	Collins	.....	D27/186
D604,564 S *	11/2009	Walter	.....	D7/620
D642,454 S *	8/2011	Santoiemmo	.....	D9/428
D645,340 S *	9/2011	Menard	.....	D9/428
D654,010 S *	2/2012	Maks	.....	D12/419
D677,427 S *	3/2013	Ross	.....	D27/167
D722,721 S *	2/2015	Ross	.....	D27/167
D722,722 S *	2/2015	Ross	.....	D27/167
D723,732 S *	3/2015	Alima	.....	D27/167

(Continued)

*Primary Examiner* — Robert M Spear

*Assistant Examiner* — Marissa J Cash

(74) *Attorney, Agent, or Firm* — McClure, Qualey &  
Rodack, LLP

(57) **CLAIM**

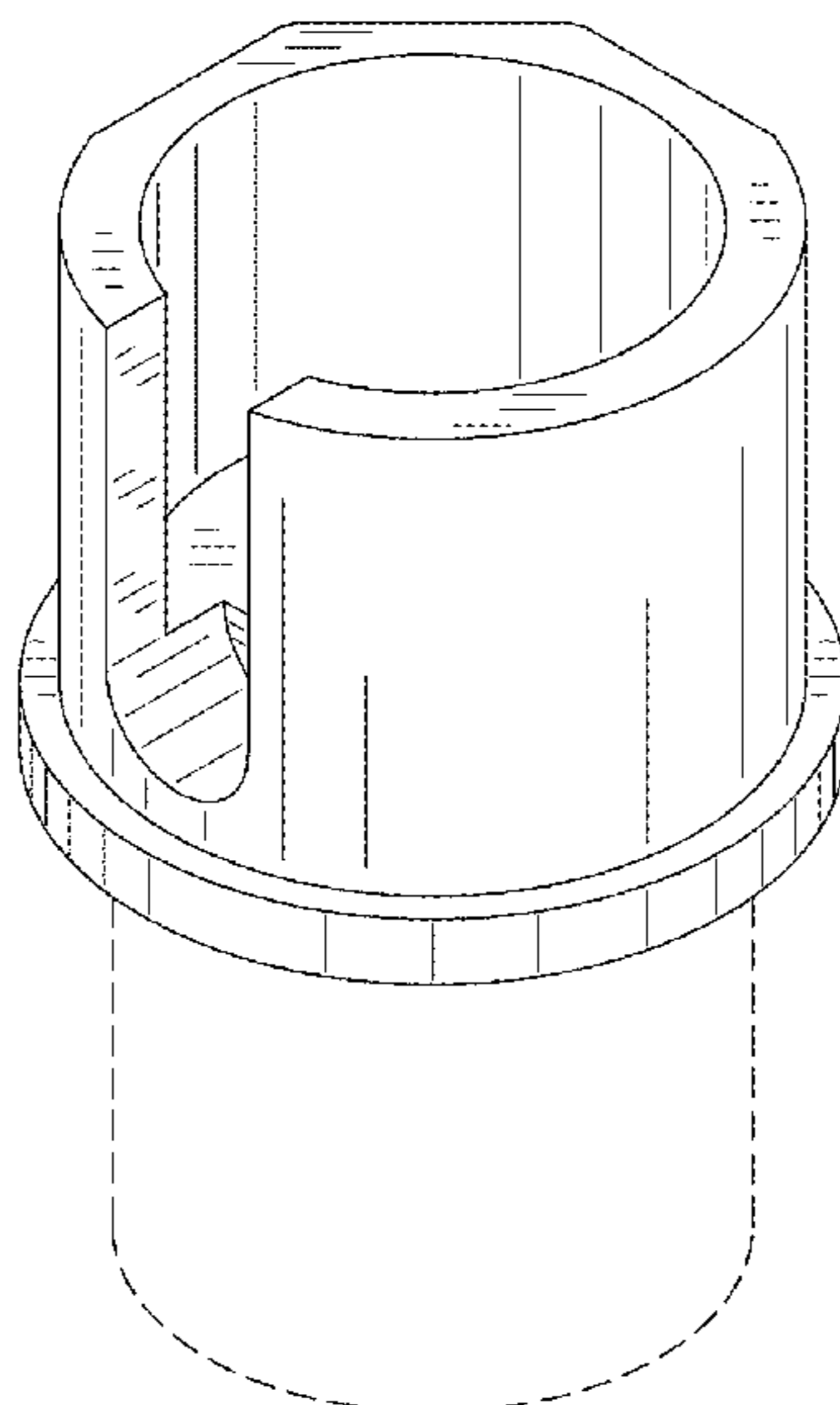
The ornamental design for a snuff can holder, as shown and described.

**DESCRIPTION**

FIG. 1 is a perspective view showing a new snuff can holder; FIG. 2 is an alternate perspective view thereof; FIG. 3 is a top plan view thereof; FIG. 4 is a bottom plan view thereof; FIG. 5 is a front elevational view thereof; FIG. 6 is a rear elevational view thereof; FIG. 7 is a right side elevational view thereof; FIG. 8 is a left side elevational view thereof; and, FIG. 9 is a cross-sectional view thereof, the section being taken along line 9-9 of FIG. 5.

The broken lines shown in the drawings form no part of the claimed design.

**1 Claim, 3 Drawing Sheets**



(56)

**References Cited**

U.S. PATENT DOCUMENTS

D734,537 S *	7/2015	Farley .....	D27/183
D737,503 S *	8/2015	Now .....	D27/172
D737,504 S *	8/2015	Chen .....	D27/183
D739,599 S *	9/2015	Liu .....	D27/101
D747,546 S *	1/2016	Liu .....	D27/101
D751,812 S *	3/2016	Bagala .....	D3/215
D752,281 S *	3/2016	Alima .....	D27/167
D763,502 S *	8/2016	Verleur .....	D27/167
D776,986 S *	1/2017	Landphere .....	D12/419
D779,942 S *	2/2017	Saussaye .....	D9/454
D789,681 S *	6/2017	Grisamore .....	D3/215
2015/0059784 A1 *	3/2015	Liu .....	A24F 47/008 131/329

\* cited by examiner

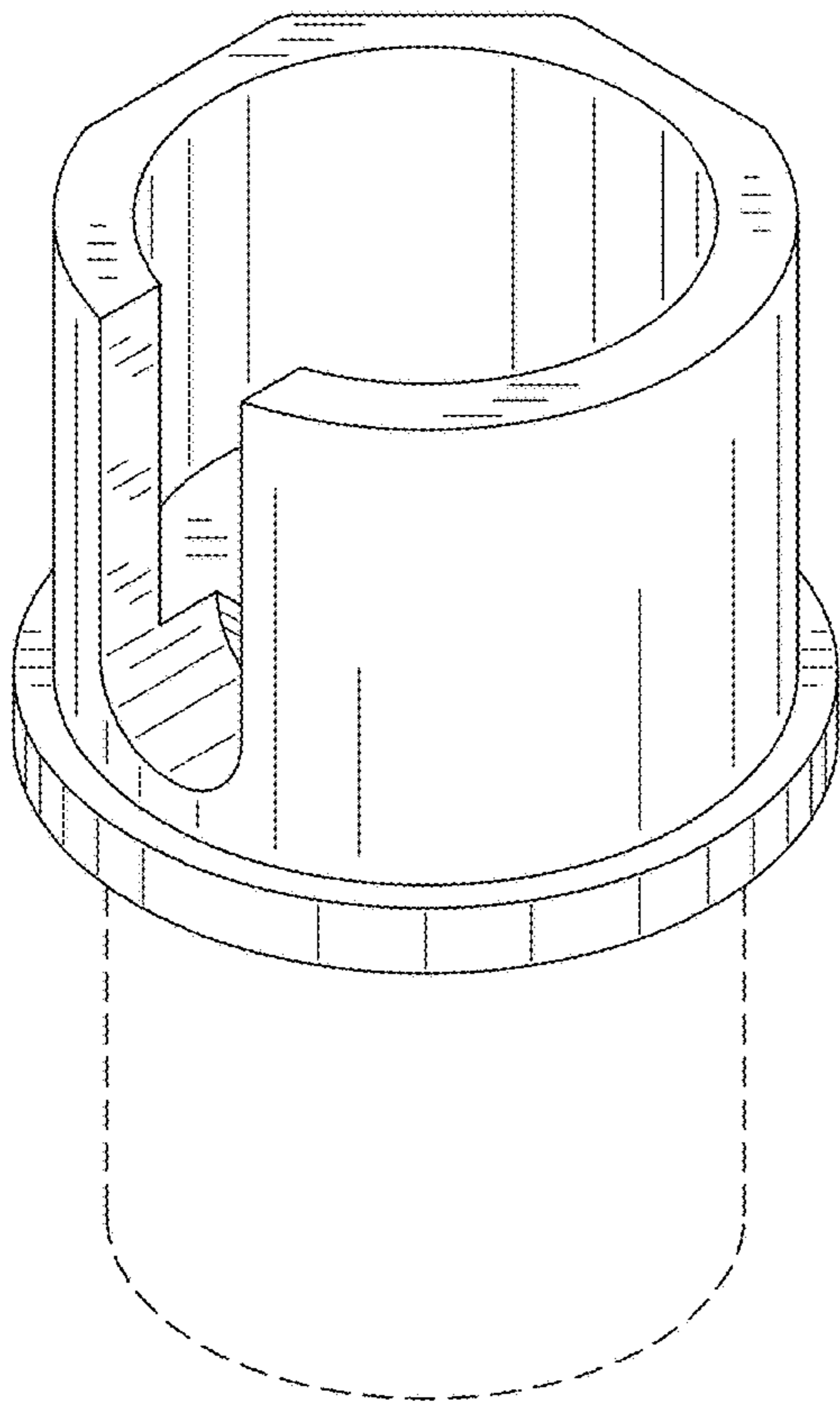


FIG. 1

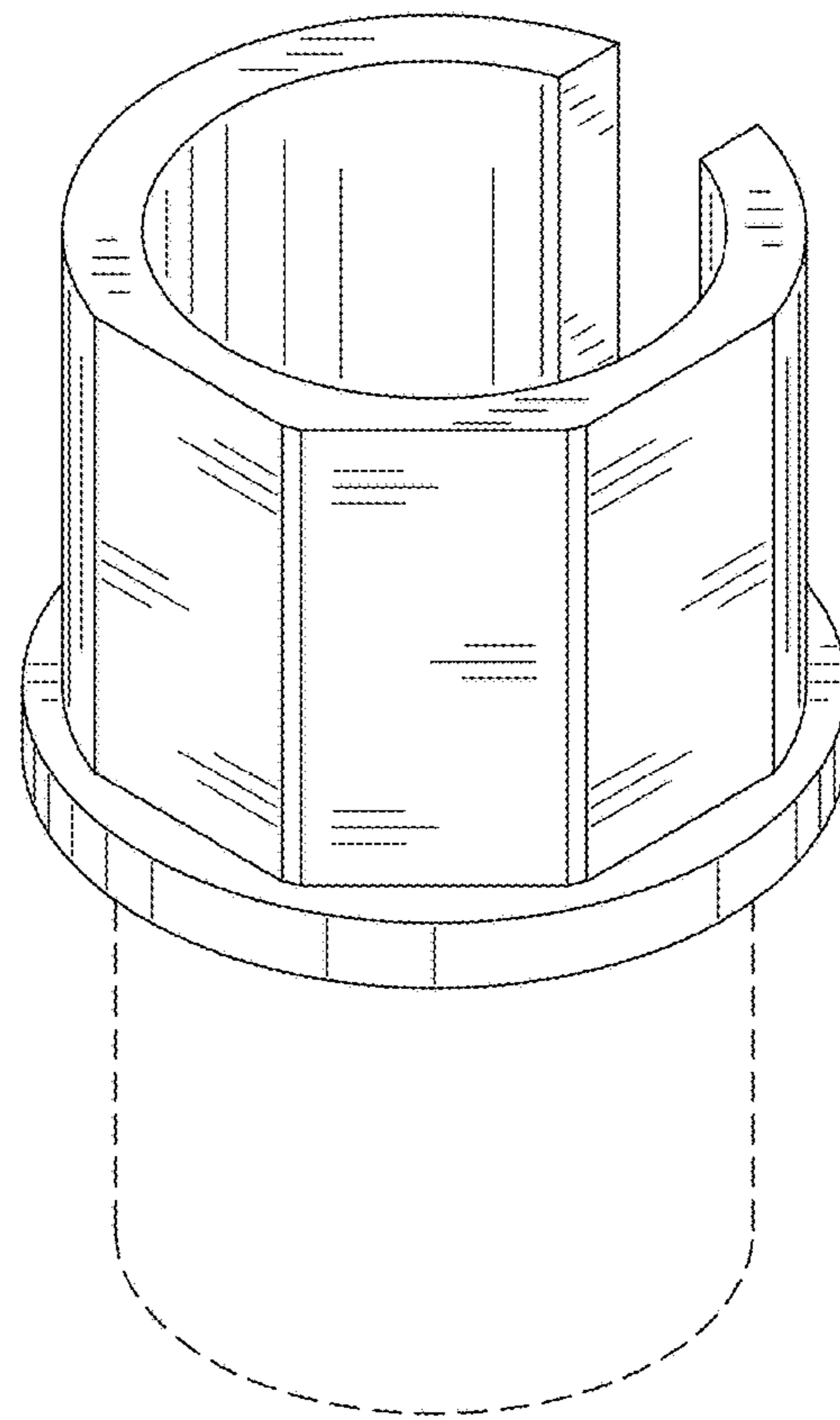


FIG. 2

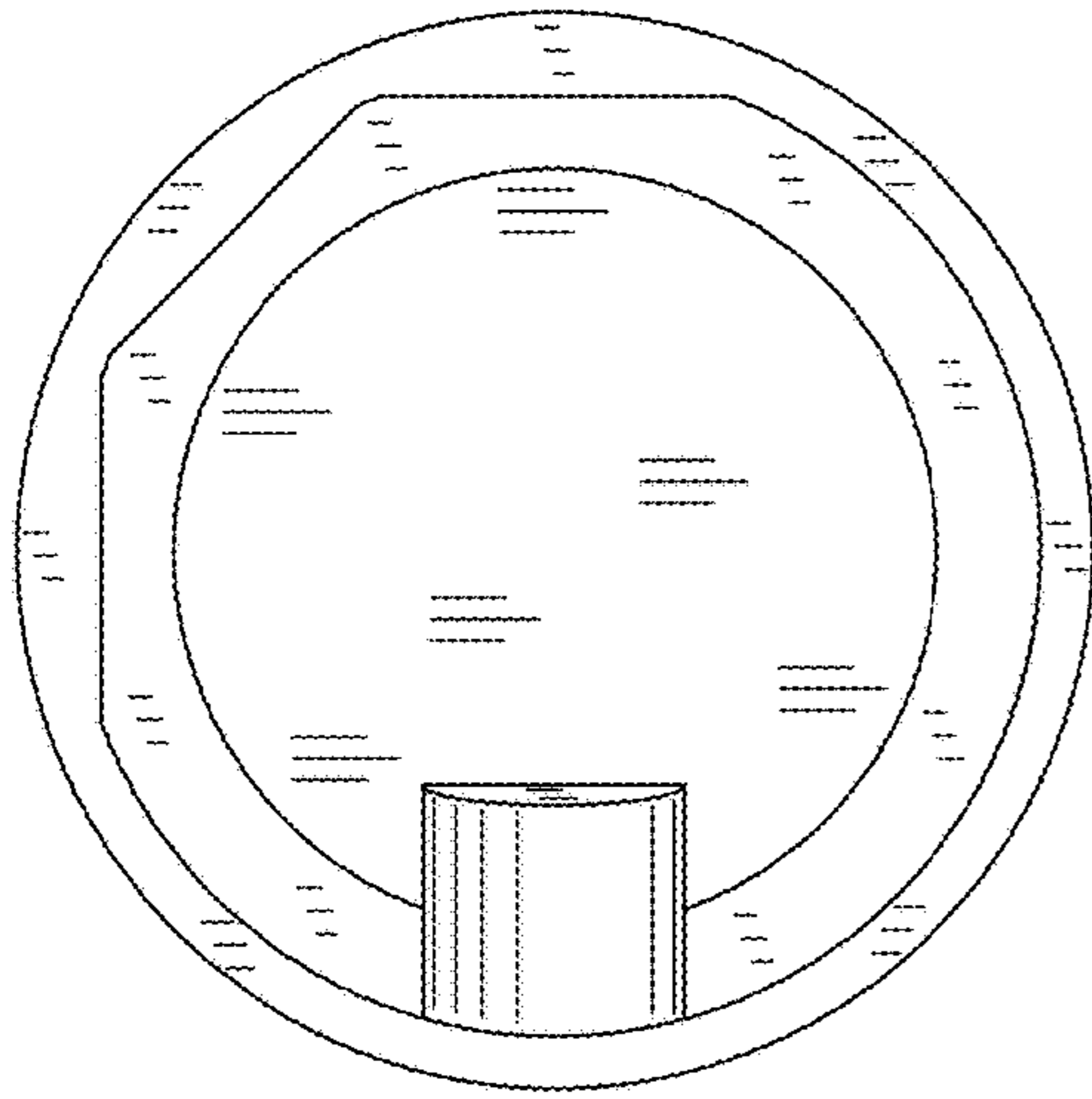


FIG. 3

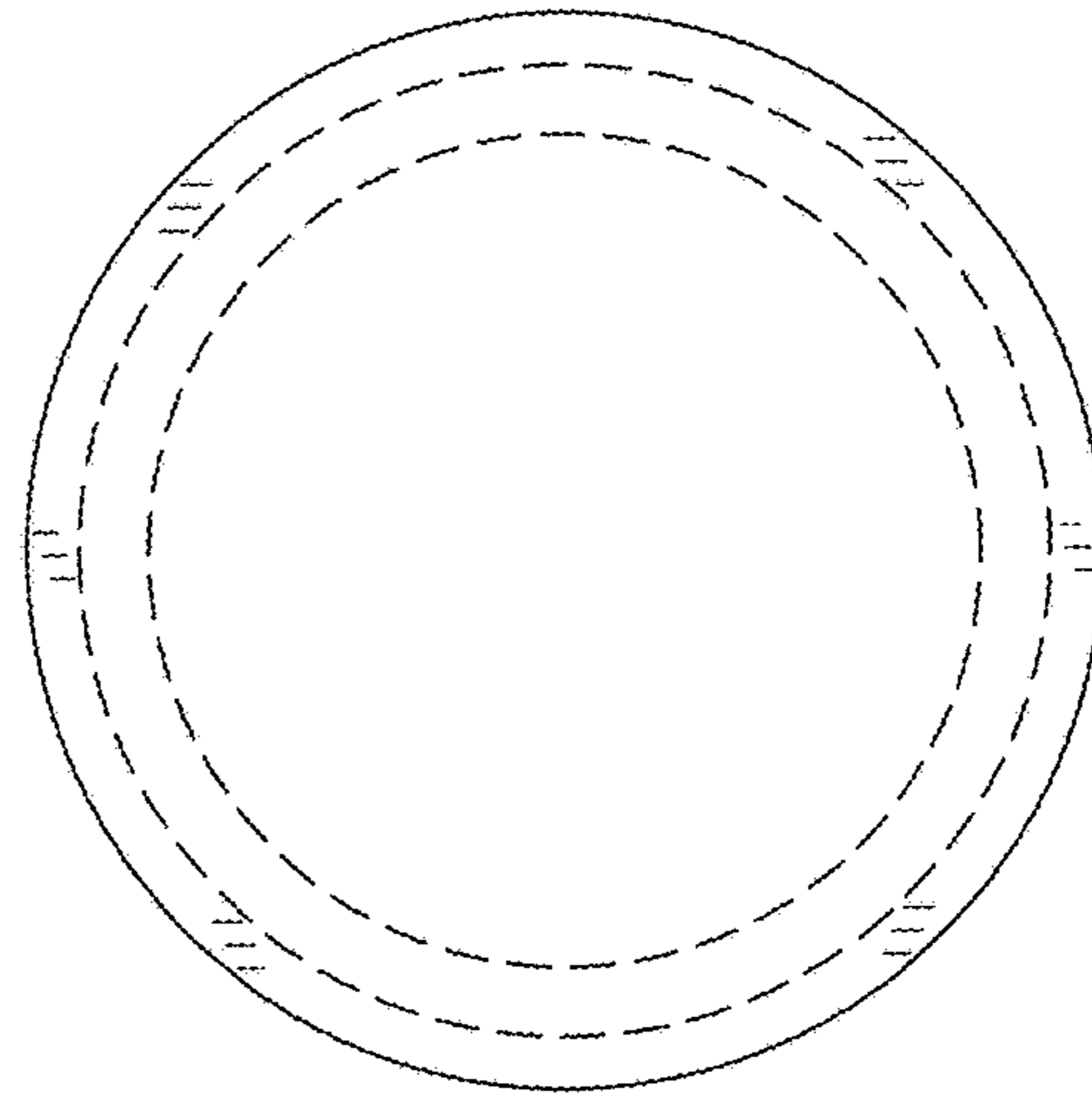


FIG. 4

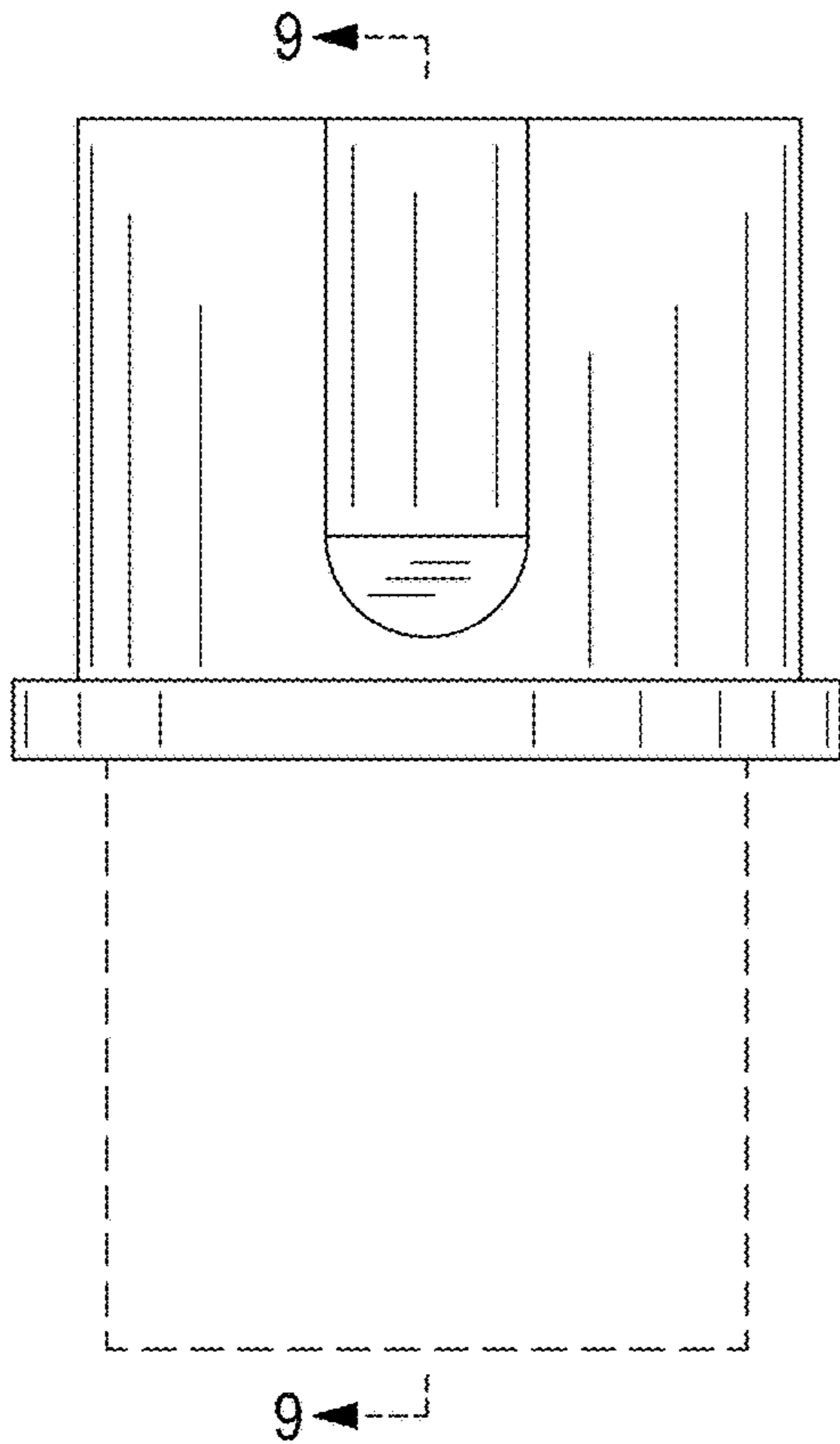


FIG. 5

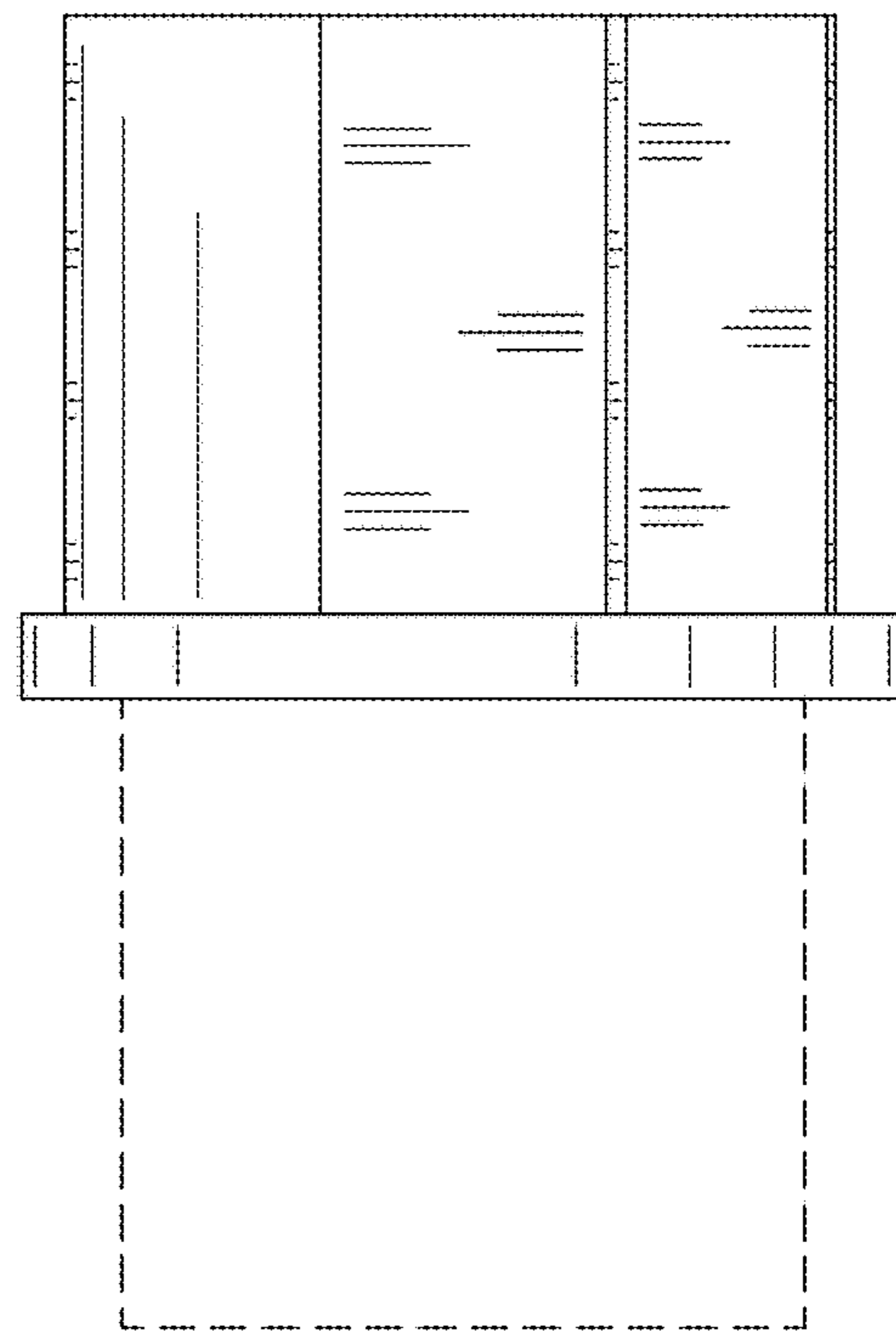


FIG. 6

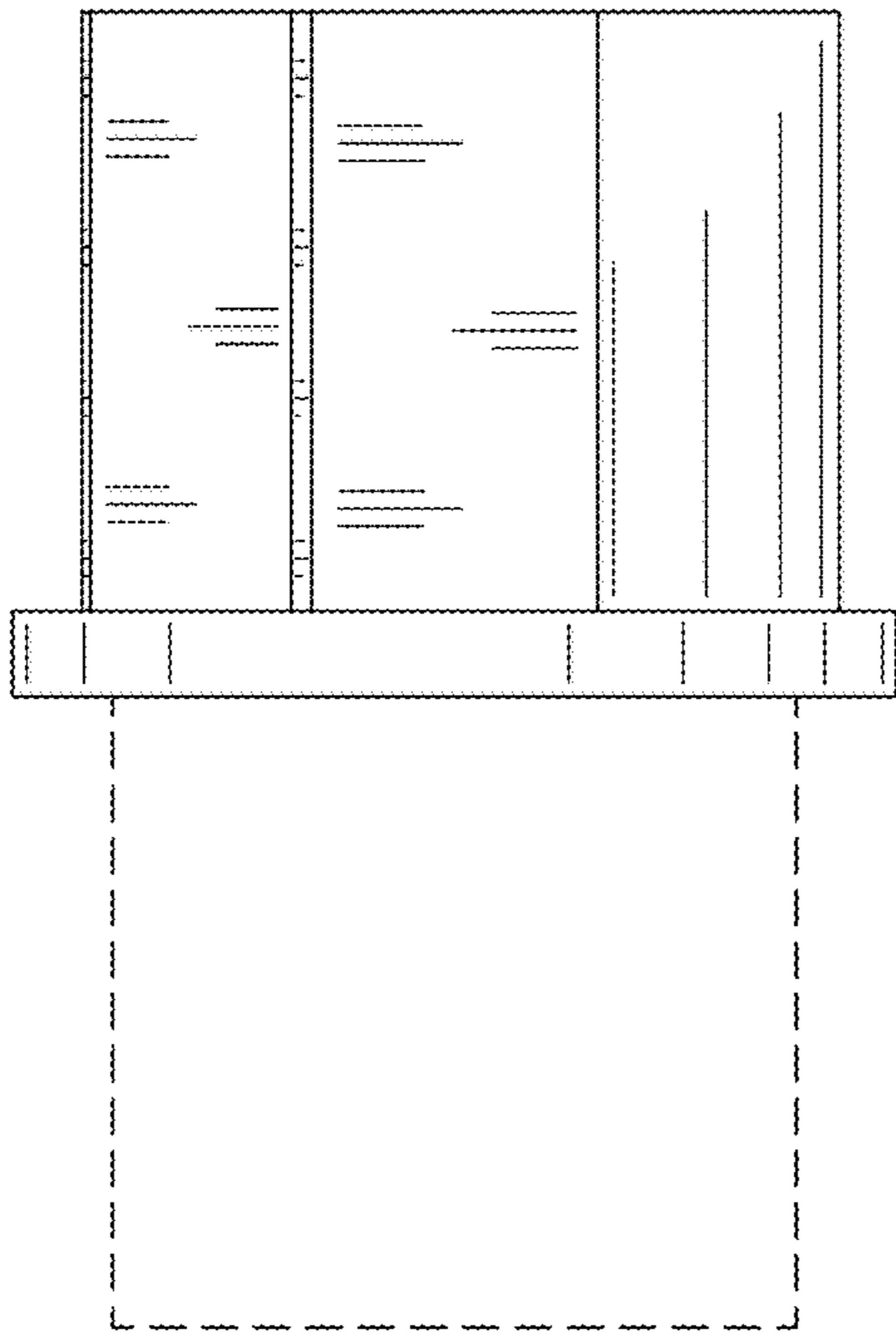


FIG. 7

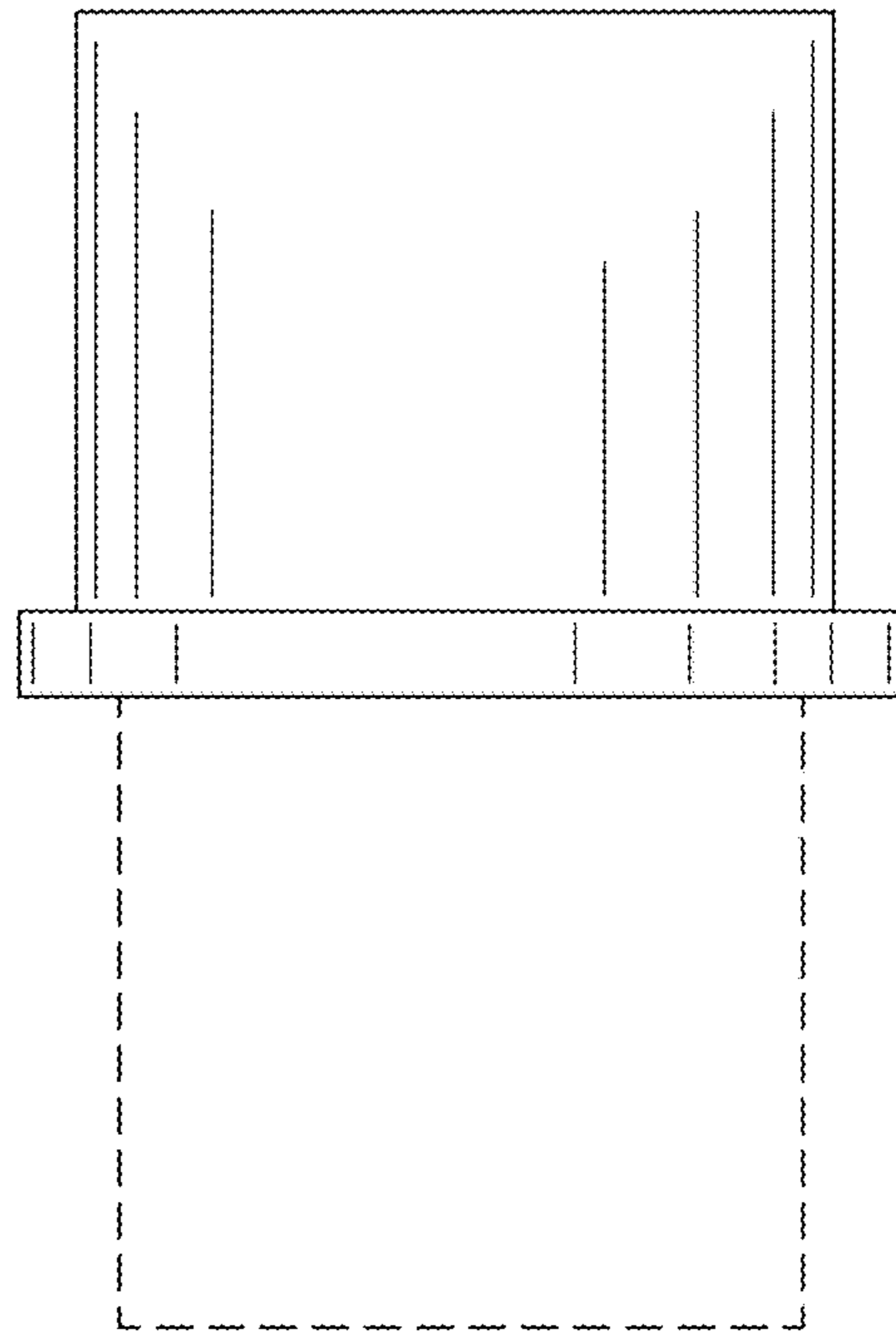


FIG. 8

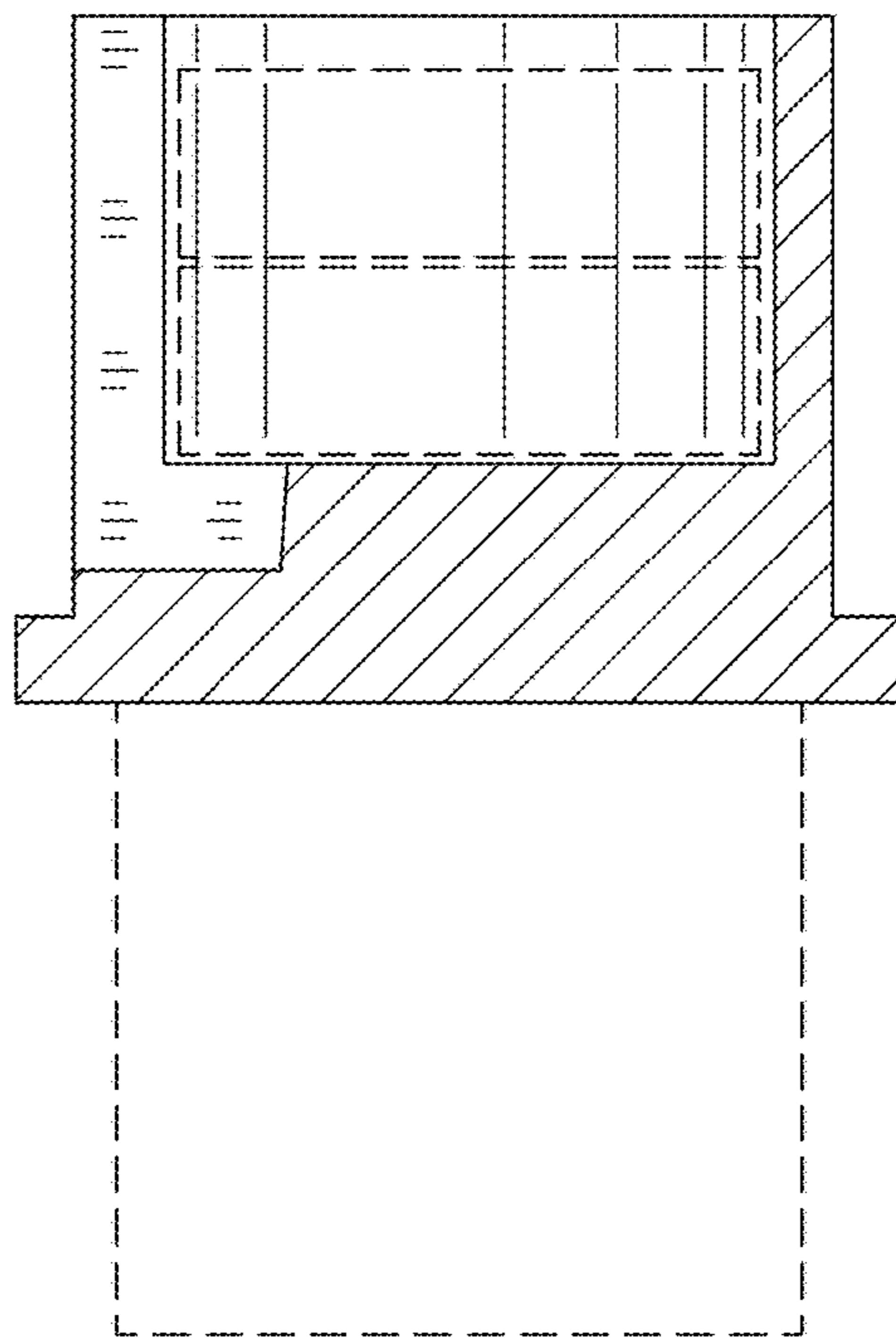


FIG. 9