



US00D802836S

(12) **United States Design Patent** (10) **Patent No.:** **US D802,836 S**
Ghiotti et al. (45) **Date of Patent:** **** Nov. 14, 2017**

- (54) **CONTAINER FOR POUCHES OF SMOKELESS TOBACCO**
- (71) Applicant: **AZIONARIA COSTRUZIONI MACCHINE AUTOMATICHE A.C.M.A. S.p.A.**, Bologna (IT)
- (72) Inventors: **Roberto Ghiotti**, Calderino Di Monte San Pietro (IT); **Fulvio Boldrini**, Ferrara (IT)
- (73) Assignee: **AZIONARIA COSTRUZIONI MACCHINE AUTOMATICHE A.C.M.A. S.p.A.**, Bologna (IT)
- (**) Term: **15 Years**
- (21) Appl. No.: **29/559,785**
- (22) Filed: **Mar. 31, 2016**

Related U.S. Application Data

- (62) Division of application No. 29/502,247, filed on Sep. 12, 2014, now Pat. No. Des. 756,560, which is a division of application No. 29/388,822, filed on Apr. 1, 2011, now Pat. No. Des. 713,598, which is a division of application No. 29/365,192, filed on Jul. 6, 2010, now Pat. No. Des. 637,903.

Foreign Application Priority Data

- Jan. 21, 2010 (IT) BO2010O0001
- (51) **LOC (10) Cl.** **27-06**
- (52) **U.S. Cl.**
USPC **D27/186; D9/737**
- (58) **Field of Classification Search**
USPC D9/428, 500-505, 737, 756, 772, 780;
D3/203.2, 203.3; D27/172, 183, 186,
D27/189, 190
CPC B65D 1/36; B65D 2543/00694; B65D
2543/00805; A24F 23/00; A24F 23/02
See application file for complete search history.

- (56) **References Cited**
U.S. PATENT DOCUMENTS
700,395 A 5/1902 Wilcox et al.
2,597,130 A 5/1952 Ross et al.
D167,554 S 8/1952 Bergman
3,334,731 A 8/1967 Dale et al.
3,398,827 A * 8/1968 Laskin A47G 23/06
206/499
(Continued)

- OTHER PUBLICATIONS**
Ghiotti—U.S. Appl. No. 29/502,247, filed Sep. 12, 2014.
(Continued)

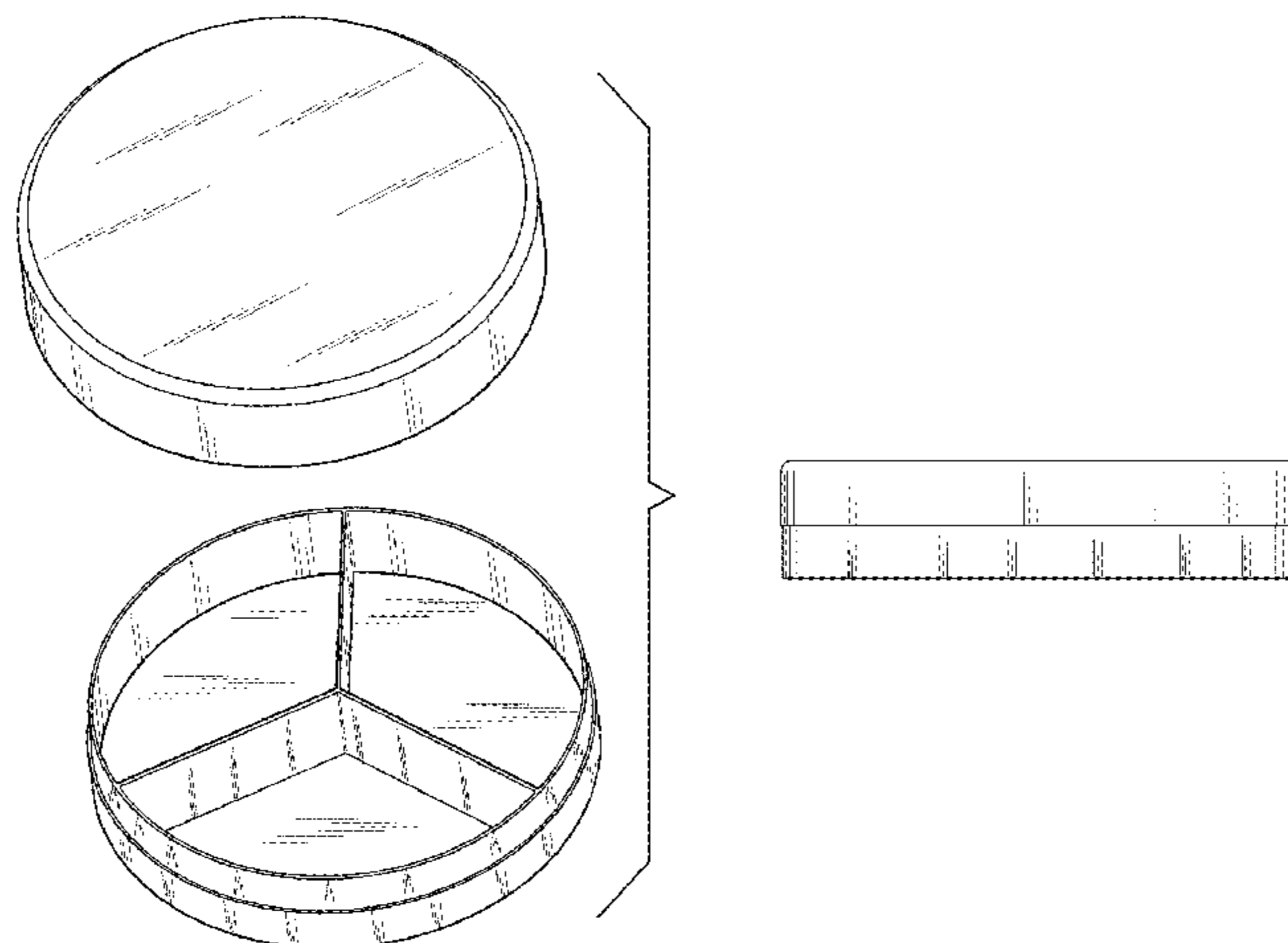
Primary Examiner — Ian Simmons
Assistant Examiner — Keith Frank
 (74) *Attorney, Agent, or Firm* — Timothy J. Klima;
 Shuttleworth & Ingersoll, PLC

- (57) **CLAIM**
The ornamental design for a container for pouches of smokeless tobacco, as shown and described.

DESCRIPTION

FIG. 1 is an exploded perspective view of a container for pouches of smokeless tobacco with the lid and base separated, showing our new design;
 FIG. 2 is a top plan view thereof without the lid;
 FIG. 3 is a side view thereof without the lid;
 FIG. 4 is a side view thereof with the lid; and,
 FIG. 5 is a top plan view of the container, shown without the lid and illustrating the pouches of tobacco ready for use.
 The broken lines in FIG. 5 showing pouches of smokeless tobacco in the container is included for the purpose of illustrating environmental subject matter only and forms no part of the claimed design.

1 Claim, 1 Drawing Sheet



(56)

References Cited

U.S. PATENT DOCUMENTS

D223,056 S * 3/1972 Majewski D18/17
 D262,839 S 2/1982 Daenen et al.
 4,432,529 A 2/1984 McMillan
 4,646,933 A 3/1987 Jurczenia et al.
 D293,298 S 12/1987 Picard et al.
 4,804,101 A 2/1989 Heath
 5,029,723 A 7/1991 Lo
 D321,284 S 11/1991 Marsella et al.
 D332,328 S 1/1993 Lombardi, Jr.
 D333,931 S 3/1993 Wein
 D379,138 S 5/1997 Carlson
 D409,086 S 5/1999 Brown et al.
 D426,265 S 6/2000 Black
 D431,458 S 10/2000 Bried et al.
 D451,666 S 12/2001 Zastrow
 D494,474 S 8/2004 Houk et al.
 D496,271 S 9/2004 Hoeltgen
 D510,524 S 10/2005 Houk et al.
 D515,928 S * 2/2006 Pace D9/504
 D531,036 S 10/2006 Bried et al.
 D548,070 S 8/2007 Swain
 D557,602 S 12/2007 Terrasi
 7,326,428 B2 2/2008 Weir
 D581,809 S 12/2008 Wichowski
 D600,441 S 9/2009 Estrada
 D603,698 S 11/2009 VerWeyst
 D608,084 S * 1/2010 Anson D3/203.3
 D612,094 S 3/2010 Bellamah et al.
 D621,603 S * 8/2010 Traylor D3/203.2
 7,798,319 B1 9/2010 Bried et al.
 D626,687 S 11/2010 Gibson et al.
 D637,903 S 5/2011 Ghiotti et al.
 D641,257 S 7/2011 Thiebaut et al.
 7,987,978 B1 8/2011 Lam
 D649,284 S 11/2011 Patel et al.
 D649,869 S 12/2011 Gibson et al.
 D650,267 S 12/2011 Gibson et al.
 D650,268 S 12/2011 Gibson et al.
 D651,519 S 1/2012 Gibson et al.
 D660,693 S 5/2012 Berggren
 D664,840 S 8/2012 Jones et al.

D665,252 S * 8/2012 Mulready D9/418
 D665,253 S 8/2012 Bellamah et al.
 8,250,975 B2 8/2012 Cronin et al.
 D675,516 S 2/2013 Horton et al.
 D683,497 S 5/2013 Ghiotti
 D683,498 S 5/2013 Ghiotti
 D684,433 S 6/2013 Schwartz et al.
 D686,915 S * 7/2013 Harvey D9/428
 D688,938 S 9/2013 Bailey et al.
 D701,567 S * 3/2014 Abdullah D19/77
 D707,446 S 6/2014 Svahn
 D713,598 S 9/2014 Ghiotti
 D717,165 S 11/2014 Kwak et al.
 D735,054 S * 7/2015 Nelaas D9/707
 D738,745 S * 9/2015 Neias D9/707
 D744,160 S * 11/2015 Neias D27/193
 D768,511 S * 10/2016 Kovacovich D27/183
 D779,811 S * 2/2017 Van Lanschot D3/203.3
 2005/0173272 A1 8/2005 Lemmons, IV
 2006/0018786 A1 1/2006 Tolman et al.
 2006/0060480 A1 3/2006 Budd
 2007/0110928 A1 * 5/2007 Bried B65D 1/22
 428/34.1
 2007/0163911 A1 7/2007 Gelardi
 2008/0215440 A1 9/2008 Peterson et al.
 2009/0162506 A1 6/2009 Weir
 2010/0012534 A1 * 1/2010 Hoffman B21D 51/44
 206/265
 2010/0018883 A1 1/2010 Patel
 2010/0043812 A1 2/2010 Yount
 2010/0065076 A1 3/2010 Bergstrom et al.
 2010/0065077 A1 3/2010 Lofgreen-Ohrn et al.
 2010/0307113 A1 * 12/2010 Bried A24F 23/00
 53/400

OTHER PUBLICATIONS

Ghiotti—U.S. Appl. No. 29/502,250, filed Sep. 12, 2014.
 Ghiotti—U.S. Appl. No. 29/502,254, filed Sep. 12, 2014.
 Ghiotti—Reexamination No. 90/013,027 filed Oct. 15, 2013 [U.S. Pat. No. D637,903].
 Ghiotti—Reexamination No. 90/013,128 filed Jan. 22, 2014 [U.S. Pat. No. D683,497].

* cited by examiner

FIG.1

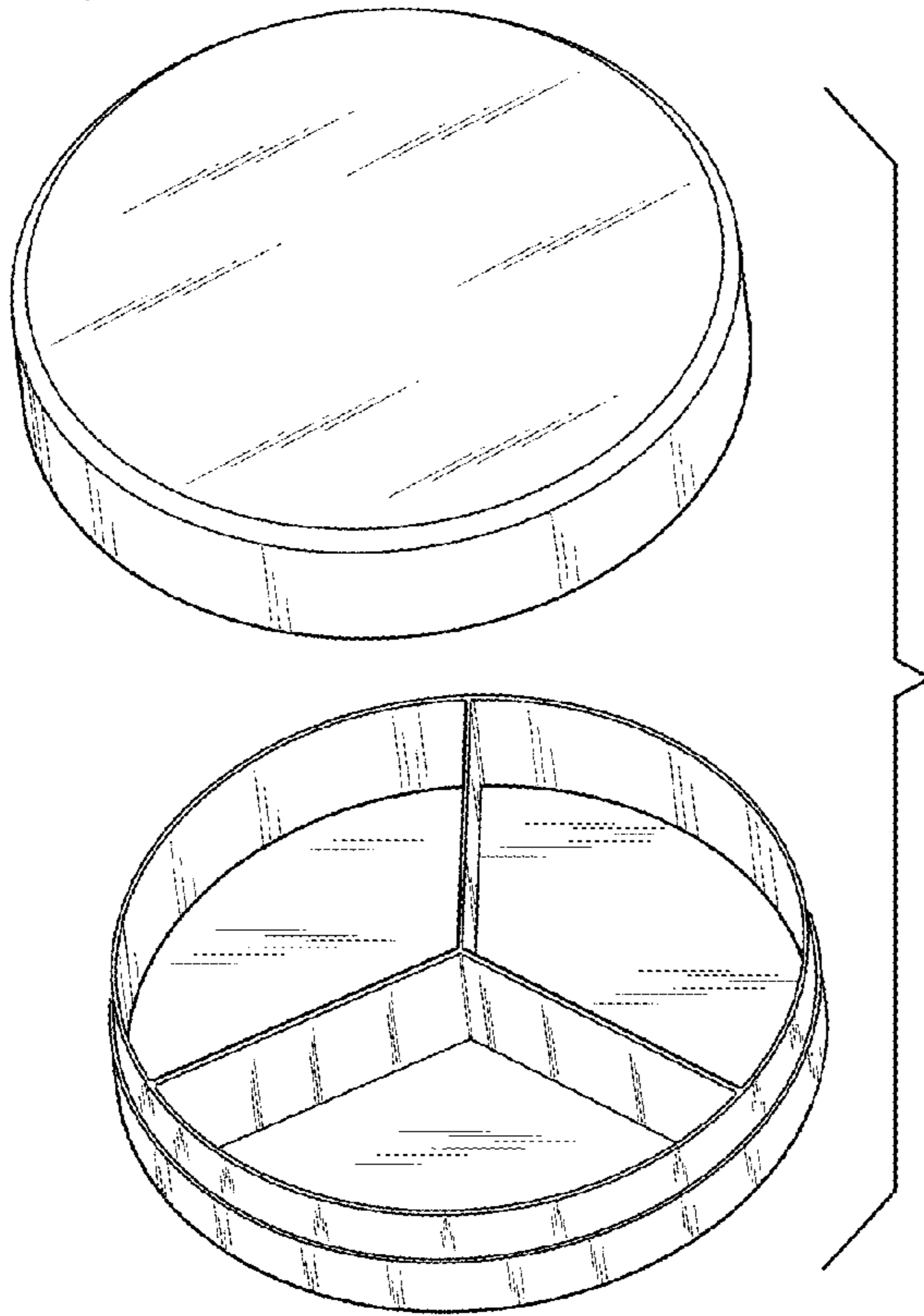


FIG.2

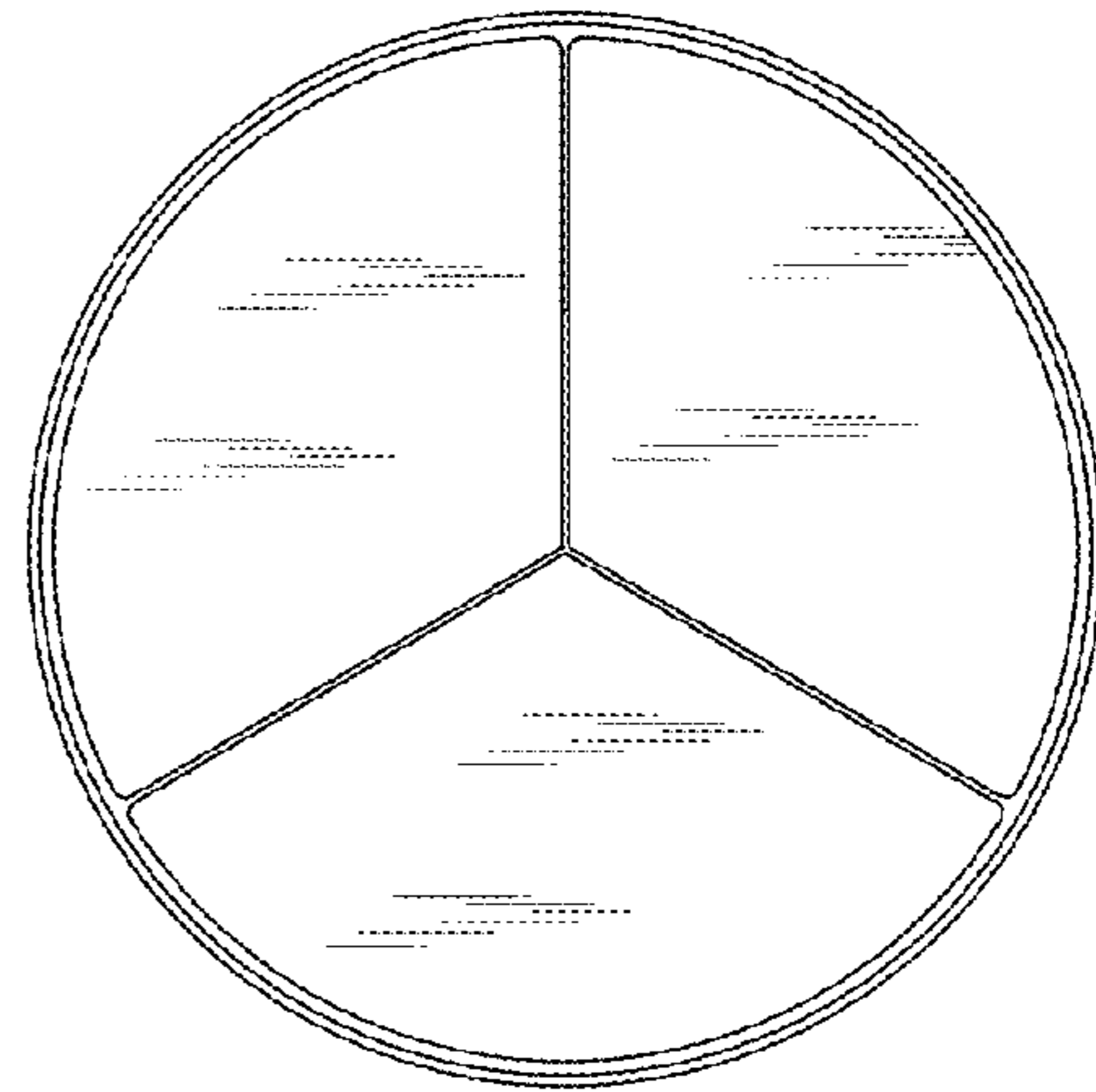


FIG.3

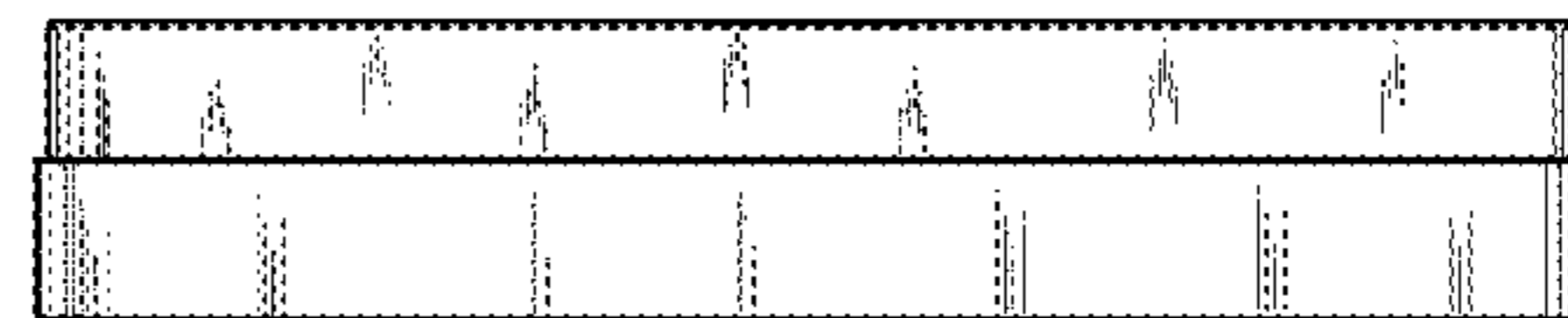


FIG.4

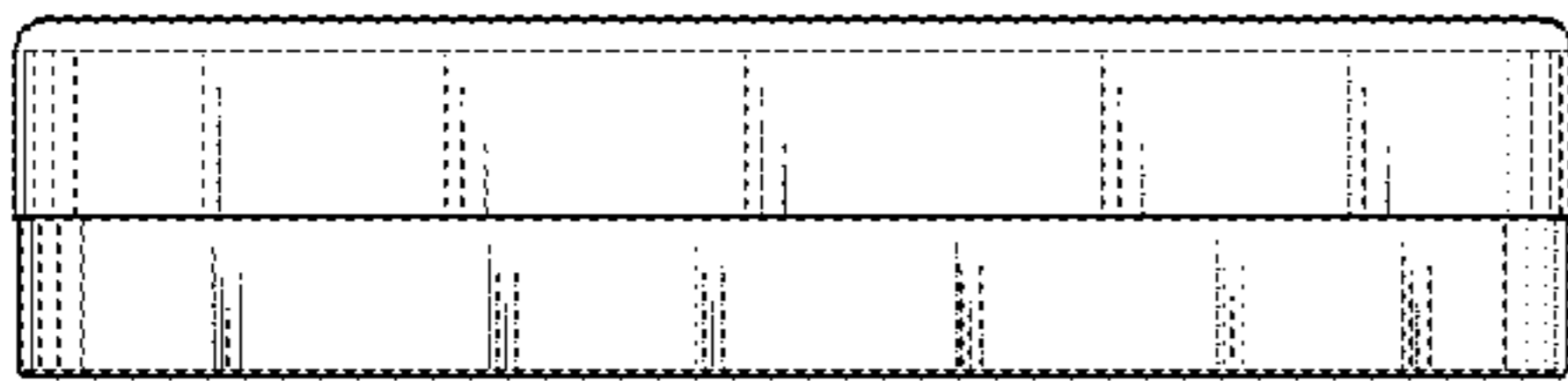


FIG.5

