



US00D802835S

(12) **United States Design Patent** (10) **Patent No.:** **US D802,835 S**  
**Bagai** (45) **Date of Patent:** **\*\* Nov. 14, 2017**

(54) **ENDCAP FOR ELECTRONIC CIGARETTE**  
(71) Applicant: **Fontem Holdings 2 B.V.**, Amsterdam (NL)  
(72) Inventor: **Hitesh Bagai**, Maharashtra (IN)  
(73) Assignee: **FONTEM HOLDINGS 2 B.V.**, Amsterdam (NL)

(\*\*) Term: **15 Years**  
(21) Appl. No.: **29/536,900**  
(22) Filed: **Aug. 20, 2015**

(30) **Foreign Application Priority Data**  
Feb. 20, 2015 (EM) ..... 002638411  
Feb. 20, 2015 (EM) ..... 002638411-0001  
Feb. 20, 2015 (EM) ..... 002638510

(51) **LOC (10) Cl.** ..... **27-02**  
(52) **U.S. Cl.**  
USPC ..... **D27/167**  
(58) **Field of Classification Search**  
USPC ..... D27/100, 101, 102, 162, 163, 164, 165, D27/166, 167, 168, 169, 170, 171, 172, D27/175, 180, 183, 184, 186, 187, 188, D27/189, 193, 194; D9/428, 454  
CPC ..... A24F 47/002; A24F 7/00  
See application file for complete search history.

(56) **References Cited**  
U.S. PATENT DOCUMENTS  
D442,864 S \* 5/2001 Davies ..... D9/454  
7,837,052 B2 \* 11/2010 Luburic ..... B65D 43/0256  
215/256  
D632,959 S \* 2/2011 Peters ..... D9/454  
D682,108 S \* 5/2013 Berggren ..... D9/454  
D689,771 S \* 9/2013 Berggren ..... D9/454

D717,651 S \* 11/2014 Marina ..... D9/454  
D718,133 S \* 11/2014 Fraser ..... D9/436  
D732,959 S \* 6/2015 Branstad ..... D9/454  
D742,222 S \* 11/2015 Liu ..... D9/424  
D743,251 S \* 11/2015 Penn ..... D7/538  
D748,329 S \* 1/2016 Bagai ..... D27/186  
D757,352 S \* 5/2016 Bagai ..... D27/101  
D773,729 S \* 12/2016 Jordan ..... D27/194  
D783,403 S \* 4/2017 Sill ..... D9/454  
D792,644 S \* 7/2017 Jordan ..... D27/101  
2005/0092751 A1 \* 5/2005 Alvares ..... B65D 21/0219  
220/270  
2008/0035641 A1 \* 2/2008 Foldesi ..... B65D 43/0249  
220/276  
2013/0284194 A1 \* 10/2013 Newton ..... A24F 47/008  
131/329  
2013/0327345 A1 \* 12/2013 Clarke ..... A24C 5/60  
131/274  
2015/0020831 A1 \* 1/2015 Weigensberg ..... A24F 47/008  
131/329  
2015/0208726 A1 \* 7/2015 Liu ..... H05B 1/0244  
131/329

(Continued)

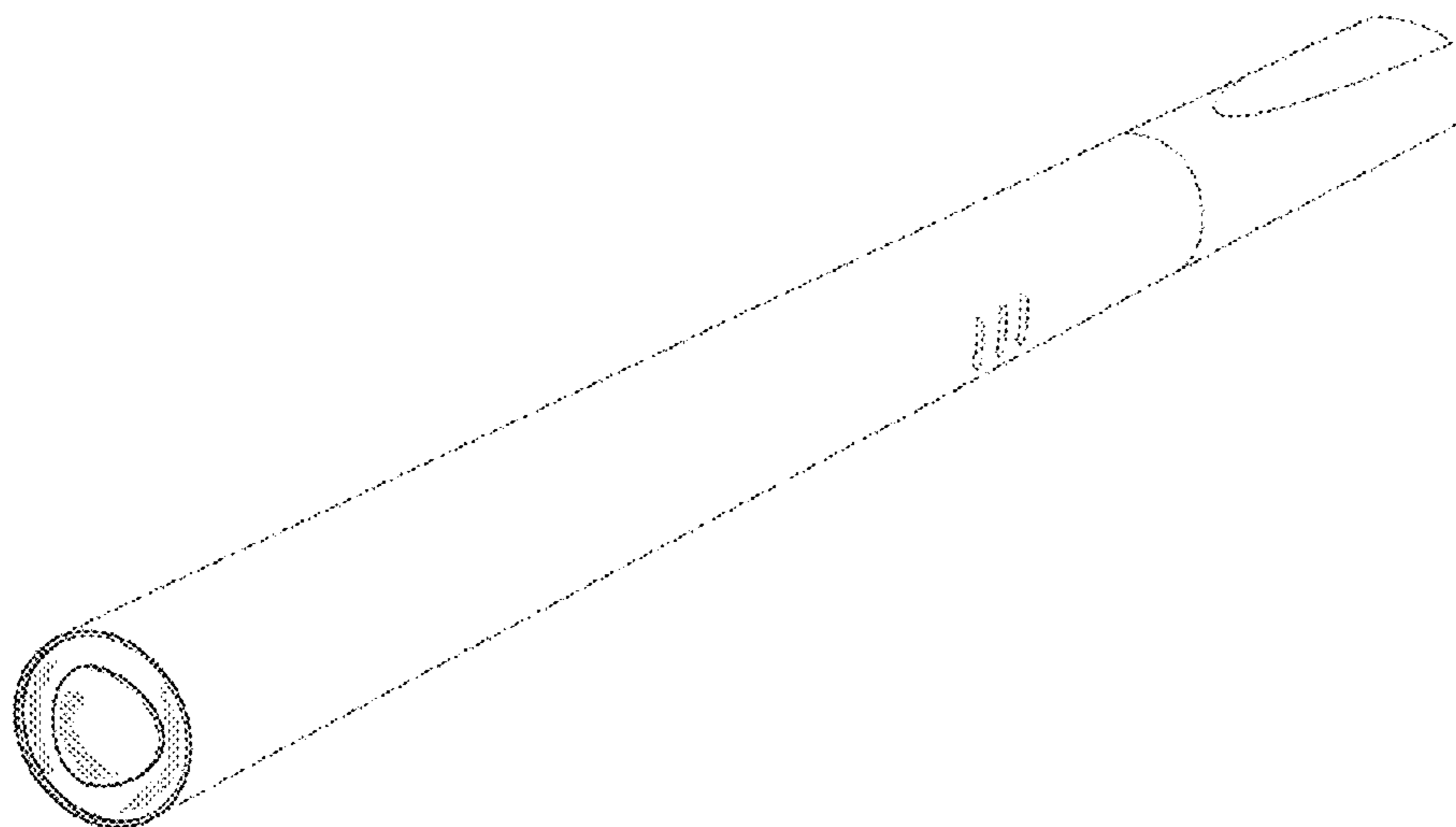
*Primary Examiner* — Robert M Spear  
*Assistant Examiner* — Marissa J Cash  
(74) *Attorney, Agent, or Firm* — Cohen & Hildebrand, PLLC

(57) **CLAIM**  
The ornamental design for an endcap for electronic cigarette, as shown and described.

**DESCRIPTION**

FIG. 1 is a perspective view of the endcap for electronic cigarette; and,  
FIG. 2 is a first side view of the endcap for electronic cigarette.  
The broken lines in the drawings represent unclaimed environmental subject matter and form no part of the claim.

**1 Claim, 1 Drawing Sheet**



(56)

**References Cited**

U.S. PATENT DOCUMENTS

2015/0332379 A1\* 11/2015 Alarcon ..... A24F 15/18  
705/26.81  
2016/0120222 A1\* 5/2016 Bagai ..... H05B 3/00  
131/329  
2016/0150823 A1\* 6/2016 Liu ..... H05B 3/46  
131/328  
2016/0213061 A1\* 7/2016 Liu ..... A24F 47/008  
2016/0374395 A1\* 12/2016 Jordan ..... A24F 47/008  
131/329  
2016/0374396 A1\* 12/2016 Jordan ..... A24F 47/008  
392/386  
2016/0374397 A1\* 12/2016 Jordan ..... A24F 47/008  
131/329  
2017/0064995 A1\* 3/2017 Beeson ..... A24F 47/002  
2017/0135397 A1\* 5/2017 Buehler ..... A24F 47/002

\* cited by examiner

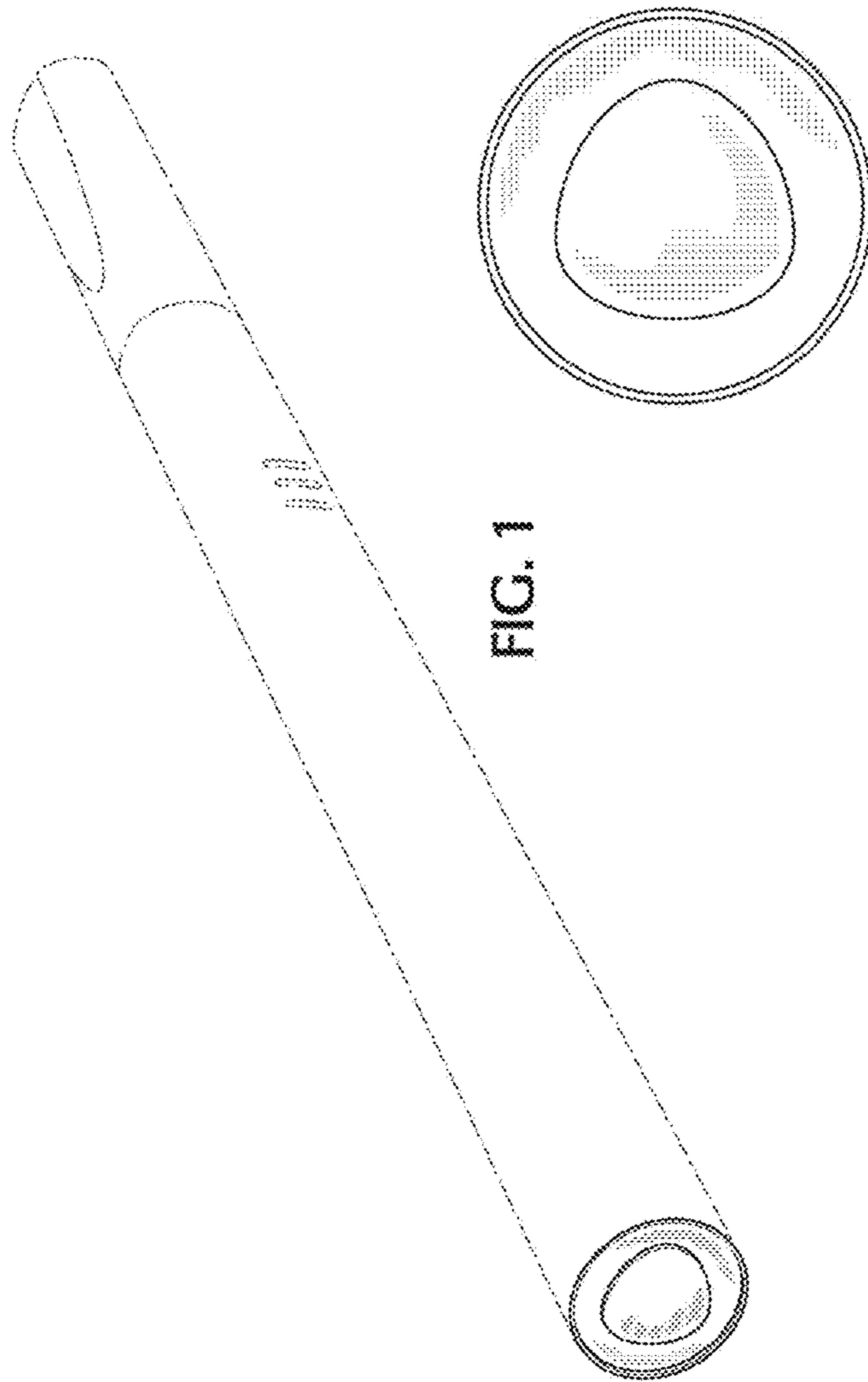


FIG. 1

FIG. 2