



US00D802834S

(12) **United States Design Patent** (10) **Patent No.:** **US D802,834 S**
Mathias et al. (45) **Date of Patent:** **** Nov. 14, 2017**

(54) **ELECTRONIC CIGARETTE**

FOREIGN PATENT DOCUMENTS

(71) Applicant: **Nicoventures Holdings Limited**,
London (GB)

CN 302919353 8/2014
CN 303162040 4/2015
CN 303234670 6/2015

(72) Inventors: **Yann Mathias**, London (GB); **Boris Thuery**, London (GB); **Marjorie Artieres**, London (GB)

OTHER PUBLICATIONS

(73) Assignee: **NICOVENTURES HOLDINGS LIMITED**, London (GB)

Russian Decision to Grant for Russian Application No. 2016500889 filed Nov. 2, 2016.

(Continued)

(**) Term: **15 Years**

Primary Examiner — Robert M Spear

(21) Appl. No.: **29/557,895**

Assistant Examiner — Marissa J Cash

(22) Filed: **Mar. 14, 2016**

(74) *Attorney, Agent, or Firm* — Patterson Thuent Pedersen, P.A.

(30) **Foreign Application Priority Data**

(57) **CLAIM**

Sep. 15, 2015 (EM) 002773093

We claim the ornamental design for an electronic cigarette, as shown.

(51) **LOC (10) Cl.** **27-02**

(52) **U.S. Cl.**
USPC **D27/163**

(58) **Field of Classification Search**
USPC D27/100, 101, 162, 163–194
CPC A24F 47/00; A24F 47/002; A24B 15/243;
A24B 15/16; A24B 15/167; A61M
11/042; A61M 15/06

DESCRIPTION

See application file for complete search history.

FIG. 1 is a perspective view of an electronic cigarette according to an embodiment.

FIG. 2 is a front view of the electronic cigarette depicted in FIG. 1.

FIG. 3 is a back view of the electronic cigarette depicted in FIG. 1.

FIG. 4 is a right side view of the electronic cigarette depicted in FIG. 1.

FIG. 5 is a left side view of the electronic cigarette depicted in FIG. 1.

FIG. 6 is a top view of the electronic cigarette depicted in FIG. 1; and,

FIG. 7 is a bottom view of the electronic cigarette depicted in FIG. 1.

The broken lines in the drawings represent unclaimed environmental subject matter and form no part of the claim.

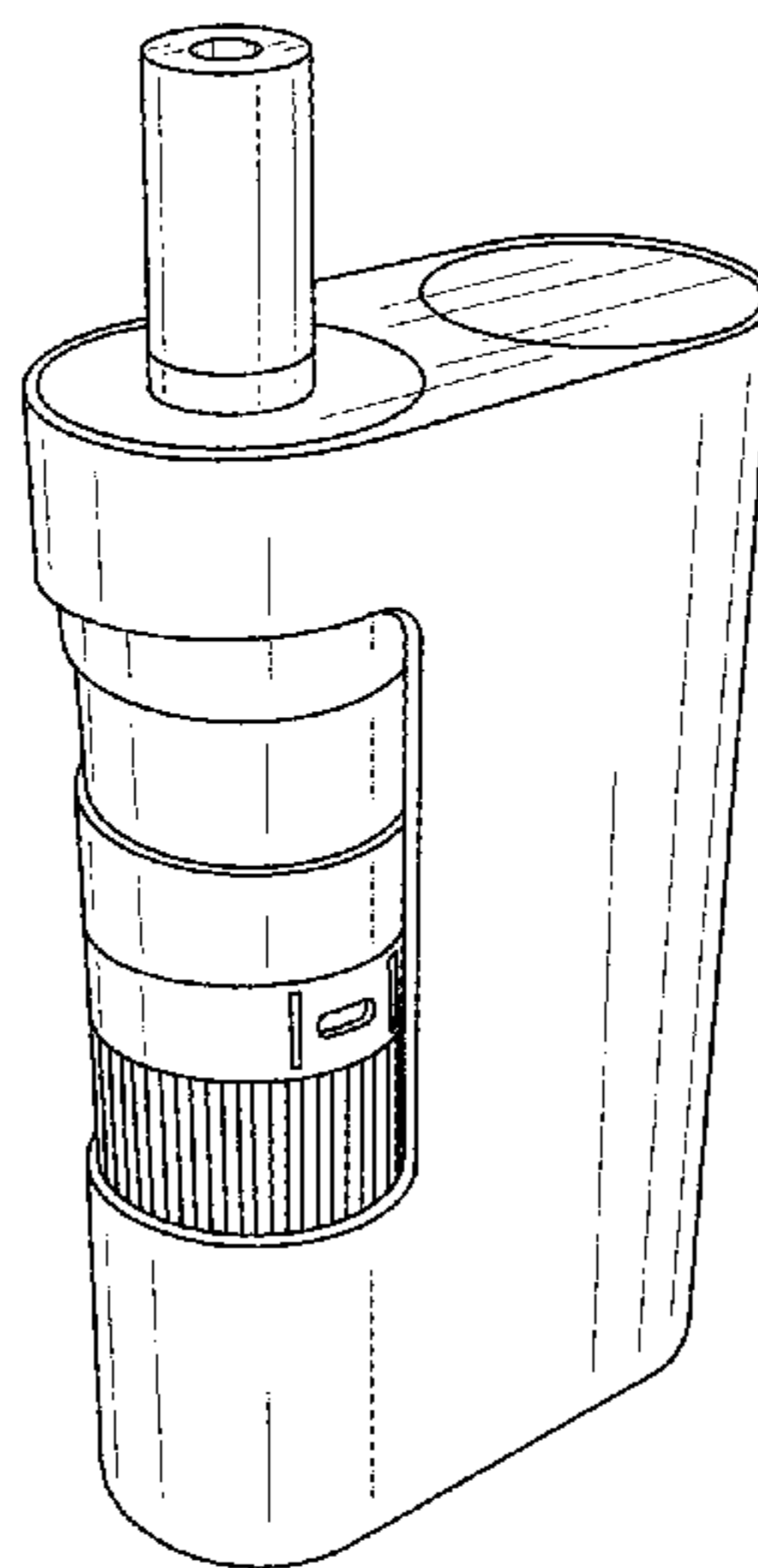
(56) **References Cited**

U.S. PATENT DOCUMENTS

4,993,435 A 2/1991 McCann
D347,490 S * 5/1994 Gee D27/194
D368,552 S * 4/1996 Adams D27/194
D422,113 S * 3/2000 Higgins D27/186
D617,942 S 6/2010 Lore
D649,708 S * 11/2011 Oneil D27/163
D651,337 S 12/2011 Bryman
8,689,804 B2 * 4/2014 Fernando A24F 47/008
131/184.1

(Continued)

1 Claim, 3 Drawing Sheets



(56)

References Cited

U.S. PATENT DOCUMENTS

8,881,738 B2 * 11/2014 Bryman A24F 3/00
131/184.2

D720,499 S 12/2014 Alima

D724,264 S 3/2015 Chambers

D728,855 S * 5/2015 Liu D27/163

D729,440 S 5/2015 Liu

D753,336 S * 4/2016 Chen D27/101

D758,656 S * 6/2016 Freshwater D27/163

D761,999 S * 7/2016 Liu D27/101

D764,406 S 8/2016 Uchida

D768,331 S * 10/2016 Chen D27/101

D769,520 S * 10/2016 Hua D27/167

D771,307 S 11/2016 Wu

D771,309 S * 11/2016 Ward D27/167

D771,867 S * 11/2016 Leidel D27/163

D773,114 S * 11/2016 Leidel D27/163

D773,116 S * 11/2016 Liu D27/167

D775,414 S * 12/2016 Ampolini D13/108

D775,762 S * 1/2017 Chen D27/101

D776,867 S 1/2017 Rado

D776,868 S 1/2017 Rado

2013/0180533 A1 7/2013 Kim et al.

2014/0014125 A1 * 1/2014 Fernando A24F 47/008
131/328

2014/0283824 A1 * 9/2014 Wheelock A61M 11/041
128/202.21

2014/0360514 A1 12/2014 Zhu

2015/0136124 A1 * 5/2015 Aronie A24F 47/008
128/202.21

2015/0257444 A1 9/2015 Chung

2015/0257446 A1 9/2015 Chung

2015/0335073 A1 11/2015 Li et al.

2016/0000145 A1 1/2016 Liu

2016/0113327 A1 4/2016 Wu

2016/0121058 A1 5/2016 Chen

2016/0144458 A1 5/2016 Boldrini

2016/0165955 A1 * 6/2016 Horne A45F 5/02
131/328

2016/0190838 A1 6/2016 Webb

2016/0213866 A1 * 7/2016 Tan A61M 11/005

2016/0219935 A1 8/2016 Qiu

2016/0227837 A1 8/2016 Hammel et al.

2016/0271347 A1 * 9/2016 Raichman A61M 15/06

2016/0295920 A1 10/2016 Liu

2016/0338413 A1 11/2016 Li et al.

2016/0353800 A1 * 12/2016 Di Carlo A24F 47/008

2016/0366946 A1 * 12/2016 Murison A24F 15/12

2017/0013881 A1 1/2017 Liu

OTHER PUBLICATIONS

Application and File History for Design U.S. Appl. No. 29/557,898, filed Mar. 14, 2016, inventors Mathias et al.

Application and File History for Design U.S. Appl. No. 29/557,899, filed Mar. 14, 2016, inventors Mathias et al.

Application and File History for Design U.S. Appl. No. 29/557,901, filed Mar. 14, 2016, inventors Mathias et al.

Russian Decision to Grant for Russian Application No. 2016500890 dated Jan. 9, 2017.

Russian Decision to Grant for Russian Application No. 2016502052 dated Jan. 9, 2017.

* cited by examiner

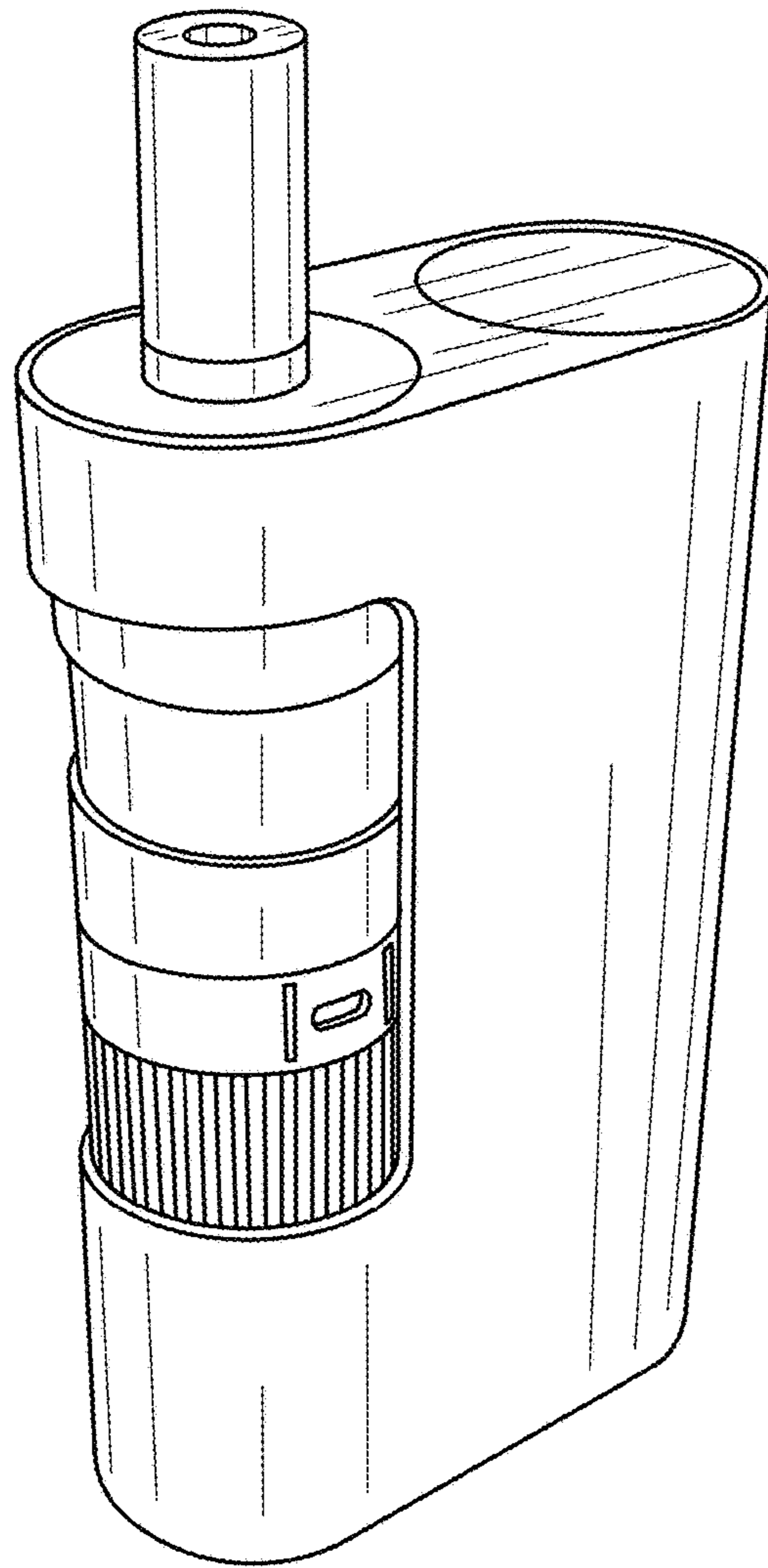


FIG. 1

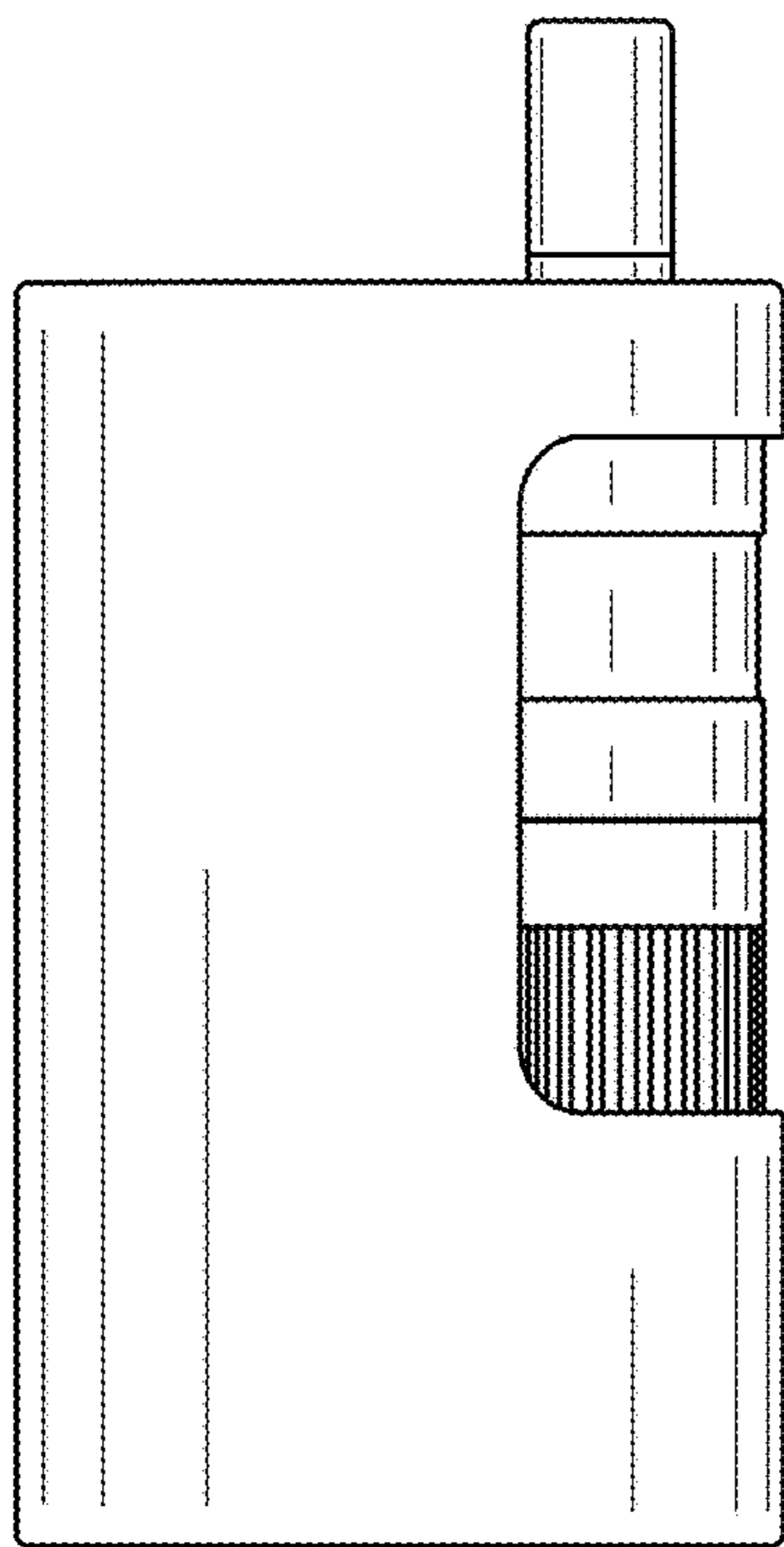


FIG. 2

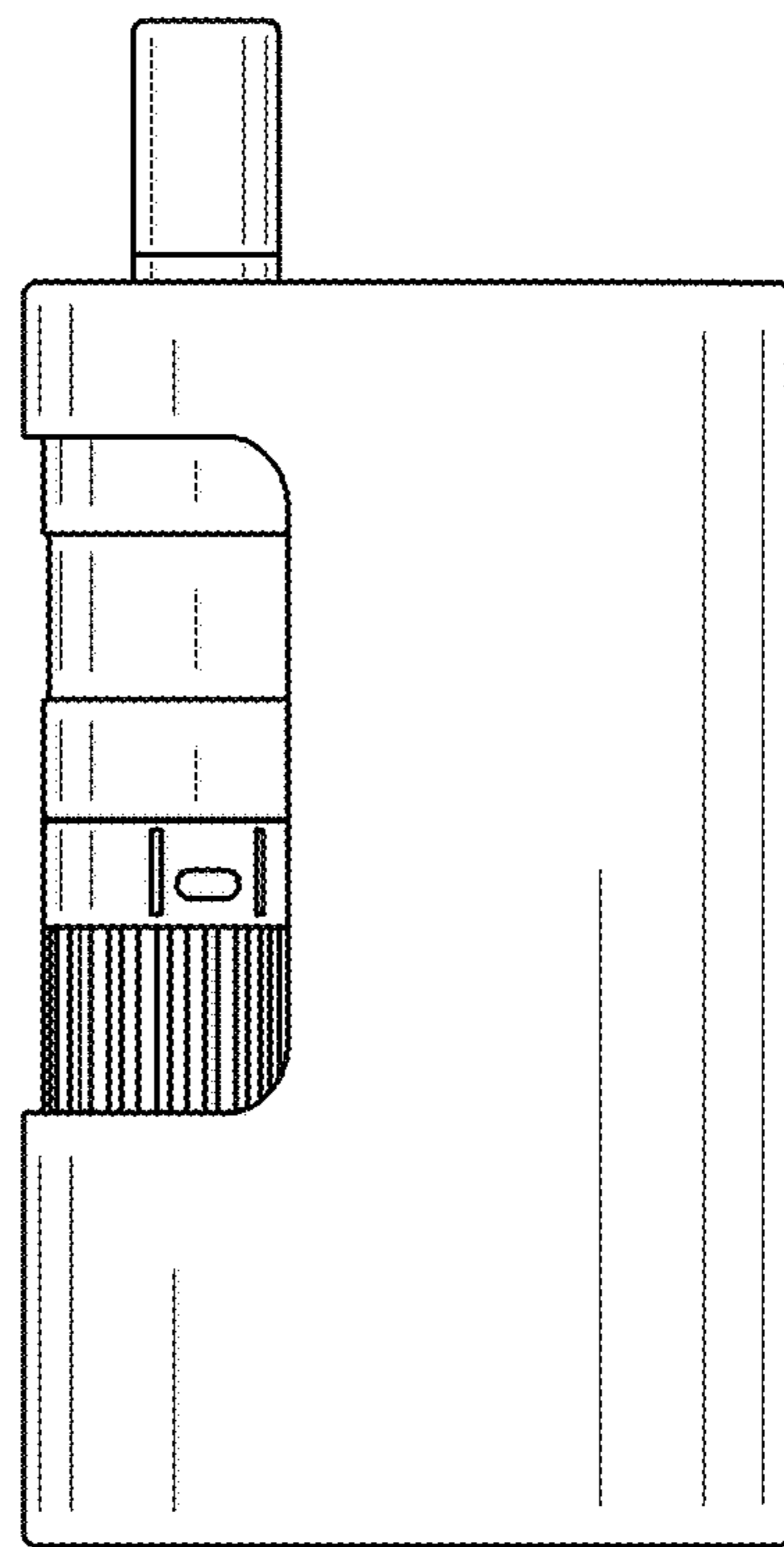


FIG. 3

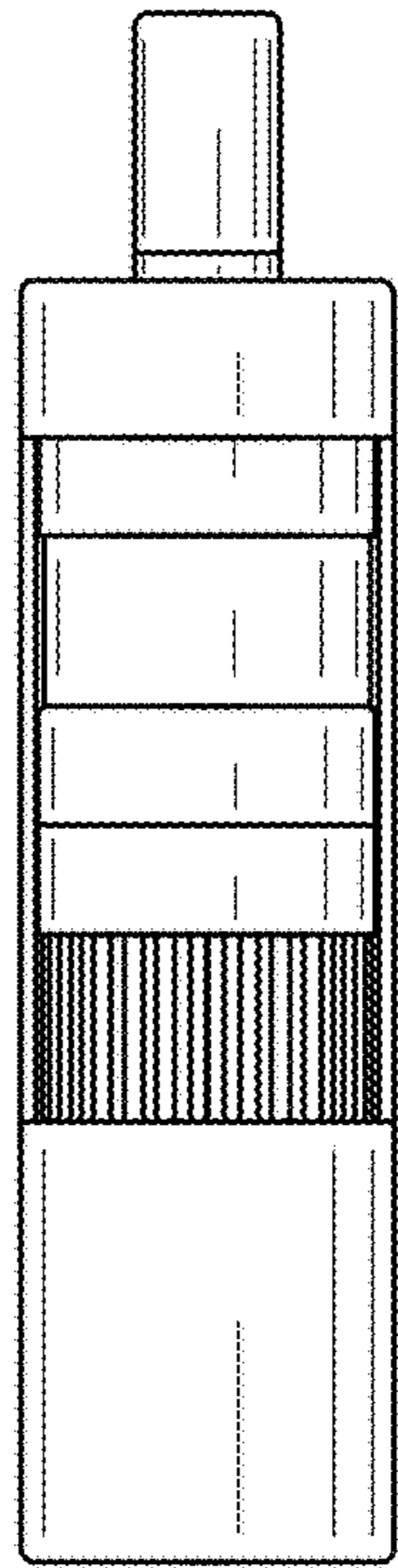


FIG. 4

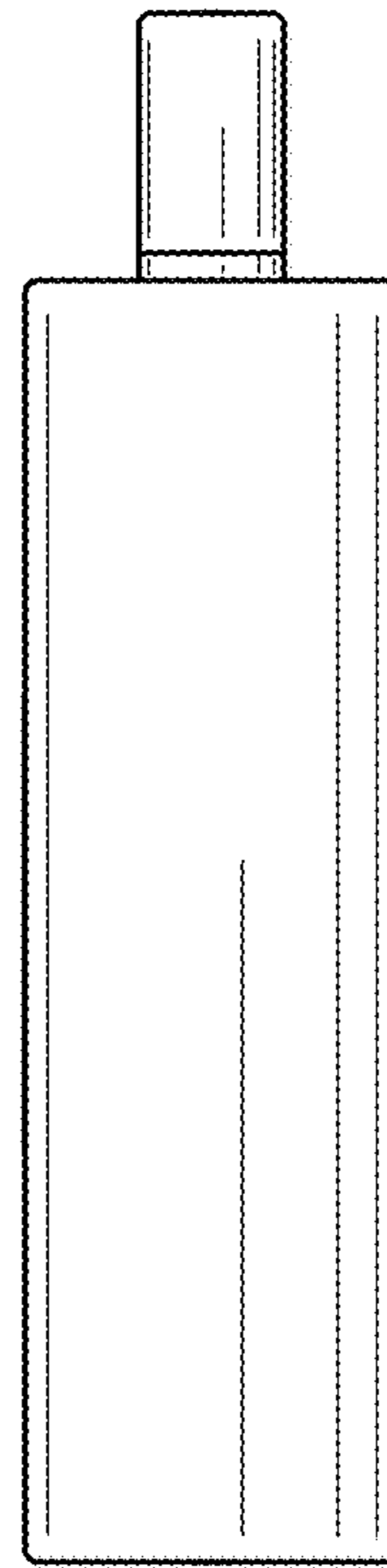


FIG. 5

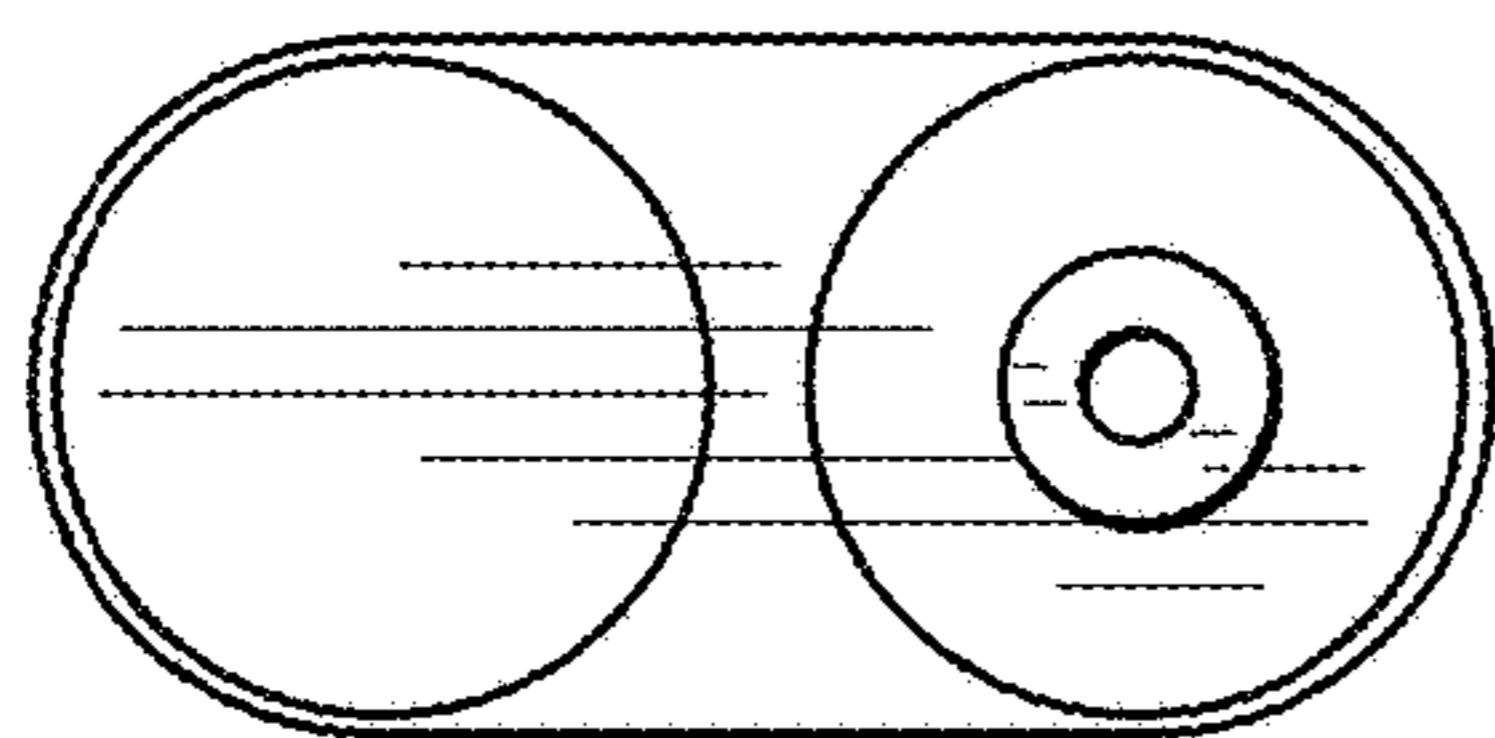


FIG. 6

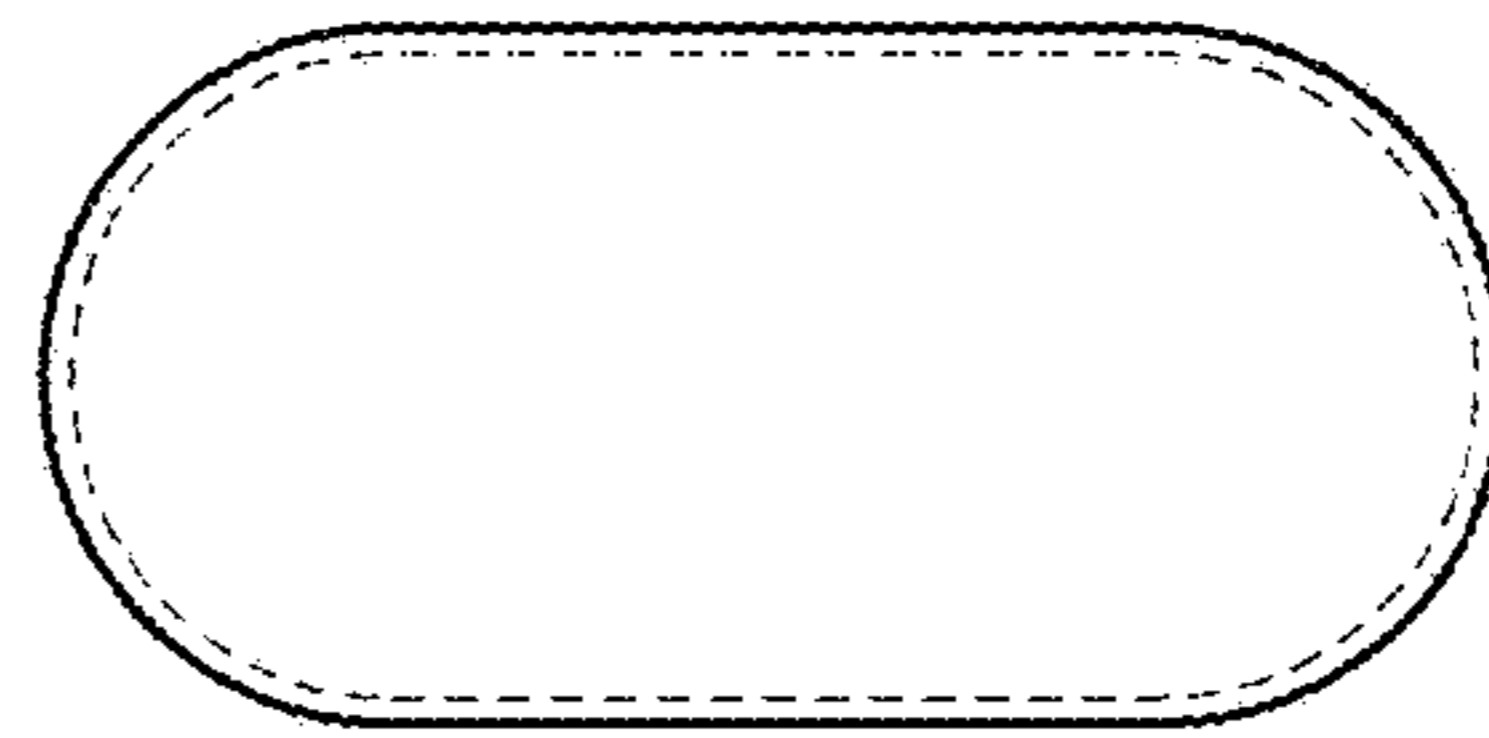


FIG. 7