



US00D802832S

(12) **United States Design Patent** (10) **Patent No.:** **US D802,832 S**
Soofer (45) **Date of Patent:** **** Nov. 14, 2017**

(54) **STAKE CONNECTOR** D469,566 S * 1/2003 Gary F21V 21/0824
D26/138
(71) Applicant: **Alpine Corporation**, Los Angeles, CA D613,639 S * 4/2010 Parikh D11/117
(US) D654,611 S * 2/2012 Chen D26/68
D743,620 S * 11/2015 Soofer D26/138
(72) Inventor: **Sohrab Robby Soofer**, Beverly Hills, D748,851 S * 2/2016 Soofer D26/138
CA (US) 2015/0292696 A1 * 10/2015 Soofer F21S 9/035
362/554

(**) Term: **15 Years**

(21) Appl. No.: **29/539,748**

(22) Filed: **Sep. 17, 2015**

(51) **LOC (10) Cl.** **26-99**

(52) **U.S. Cl.**
USPC **D26/138**

(58) **Field of Classification Search**
USPC D26/76, 78, 79, 80, 81, 82, 83, 85, 86,
D26/88, 90, 113, 118, 119, 120, 121, 122,
D26/138, 139, 140, 141, 142, 145
CPC F21S 2/00; F21S 4/00; F21S 4/003; F21S
4/005; F21S 4/006; F21S 4/007; F21S
4/008; F21S 6/00; F21S 8/00; F21S
8/024; F21S 8/026; F21S 8/031; F21S
8/033; F21S 8/035-8/037; F21S 8/04;
F21S 8/043; F21S 8/063

See application file for complete search history.

(56) **References Cited**

U.S. PATENT DOCUMENTS

4,827,389 A * 5/1989 Crum F21S 8/081
362/388
D333,526 S * 2/1993 Taylor D26/138
D365,169 S * 12/1995 Fillipp D26/138
D439,693 S * 3/2001 Milicia D26/68
D439,999 S * 4/2001 Stekelenburg D26/65
D450,151 S * 11/2001 Jost D26/101

OTHER PUBLICATIONS

Page from 2014 Alpine catalogue, published circa Jun. 00, 2013.

* cited by examiner

Primary Examiner — George D Kirschbaum
Assistant Examiner — Natasha Vujcic
(74) *Attorney, Agent, or Firm* — Payam Moradian

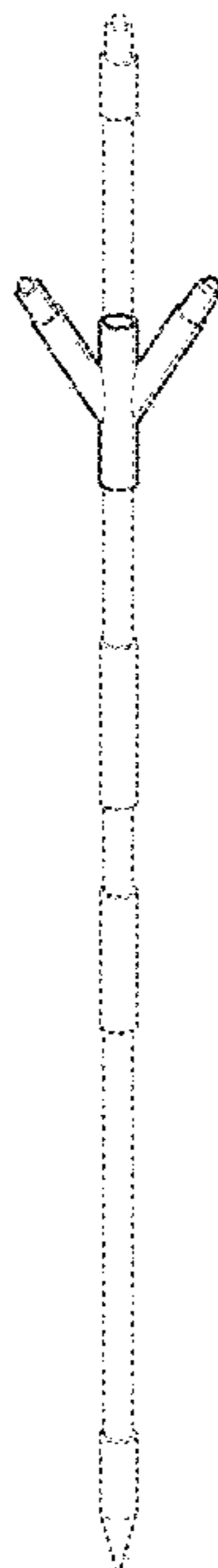
(57) **CLAIM**

I claim the ornamental design for a stake connector, as shown and described.

DESCRIPTION

FIG. 1 is a front view of a stake connector, with the stake illustrated with broken lines;
FIG. 2 is a perspective view thereof;
FIG. 3 is a front view thereof;
FIG. 4 is a back view thereof;
FIG. 5 is a first side view thereof;
FIG. 6 is a second side view thereof;
FIG. 7 is a top view thereof; and,
FIG. 8 is a bottom view thereof.
The broken lines in the drawings are for showing portions of the article and form no part of the claimed design.

1 Claim, 5 Drawing Sheets



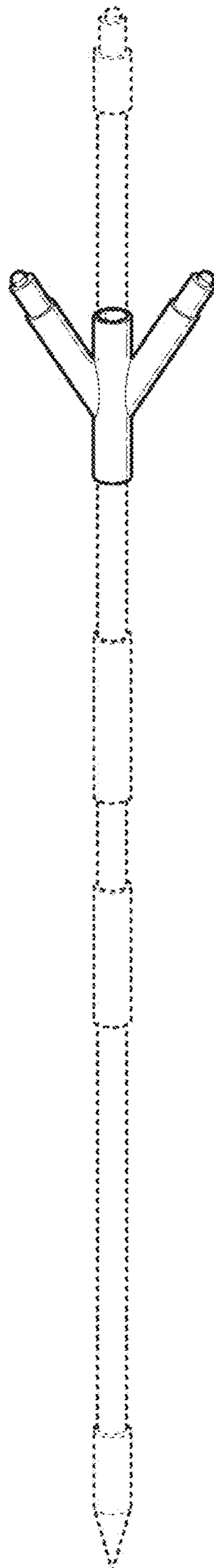


FIG. 1

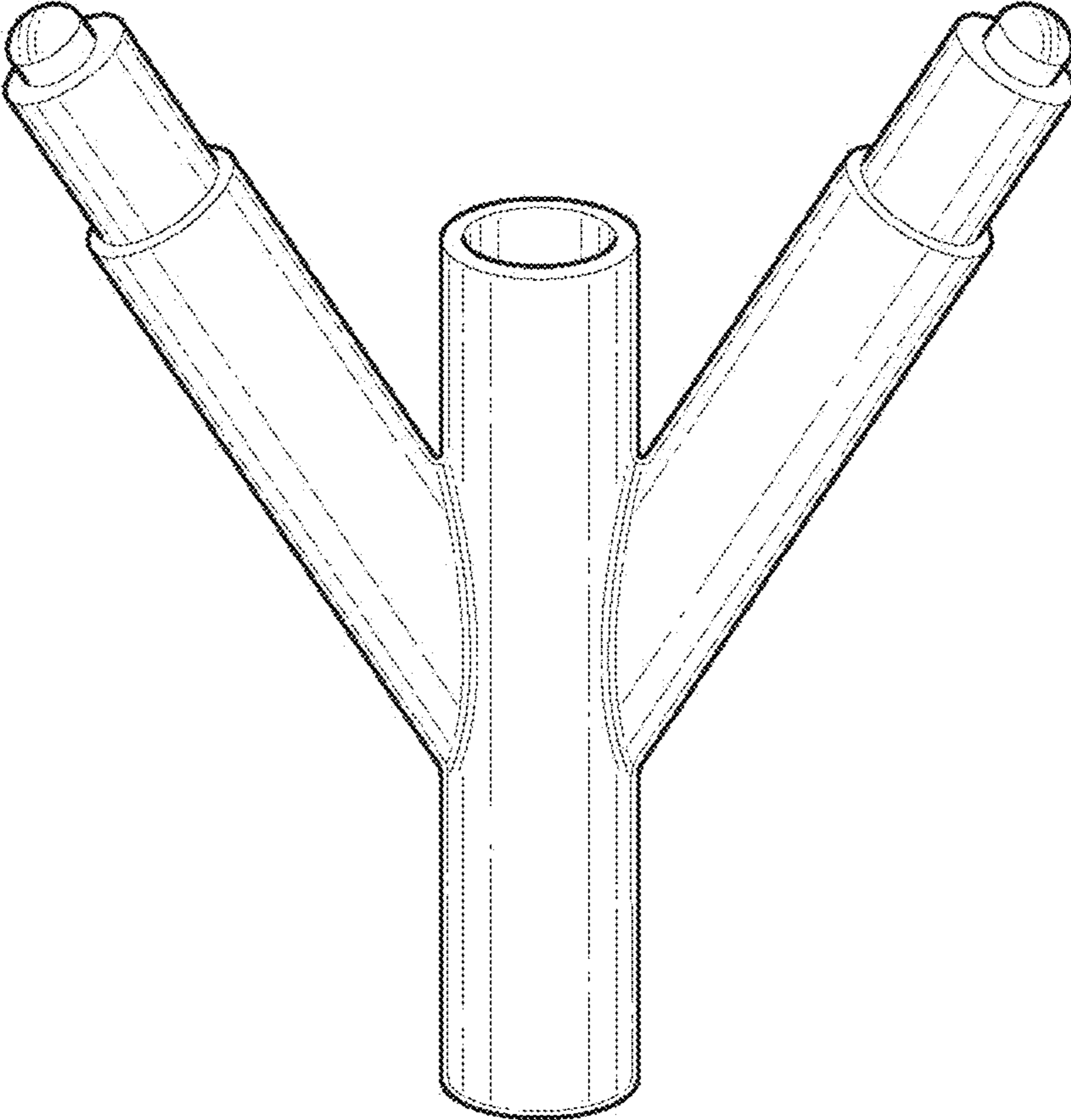


FIG. 2

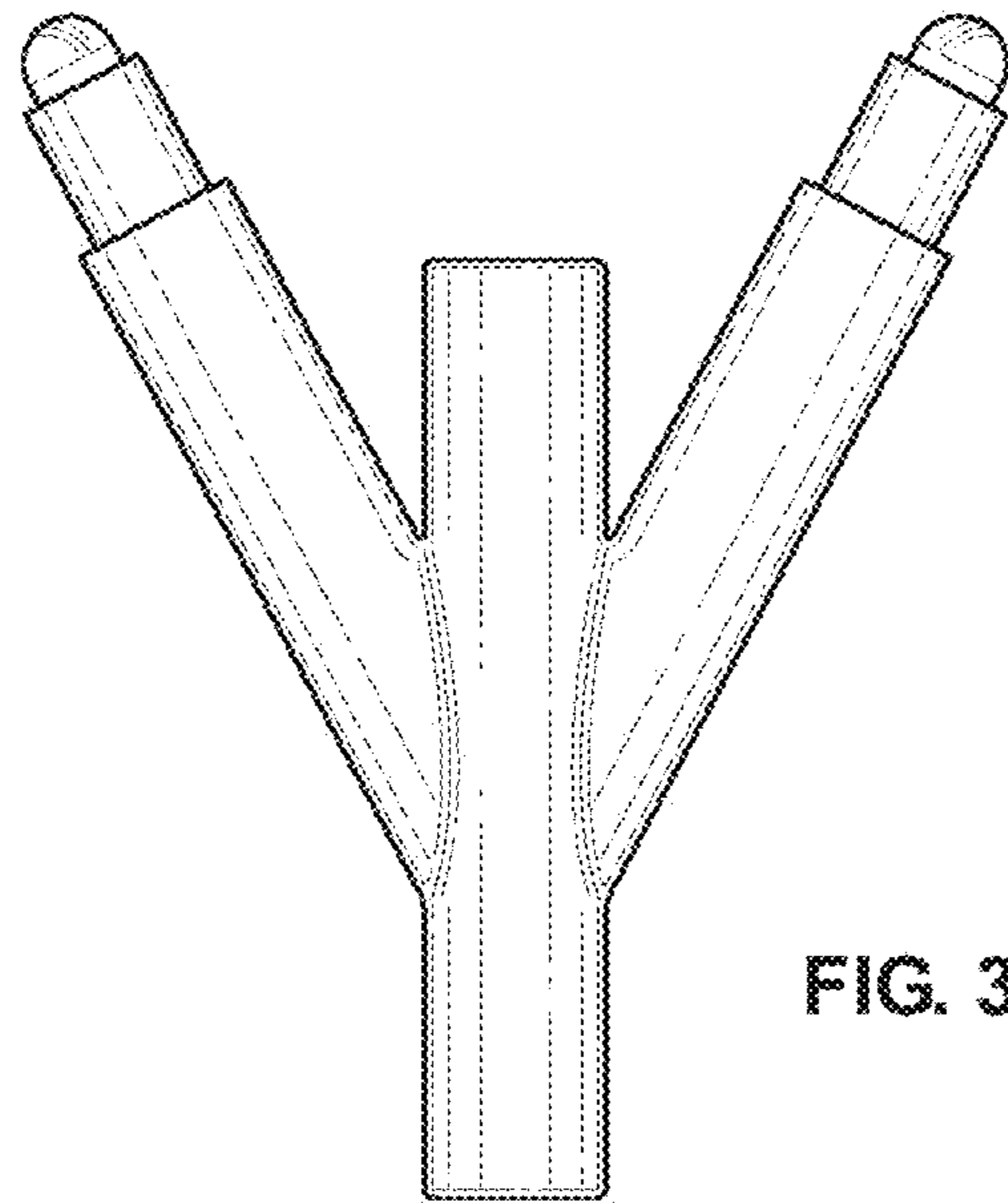


FIG. 3

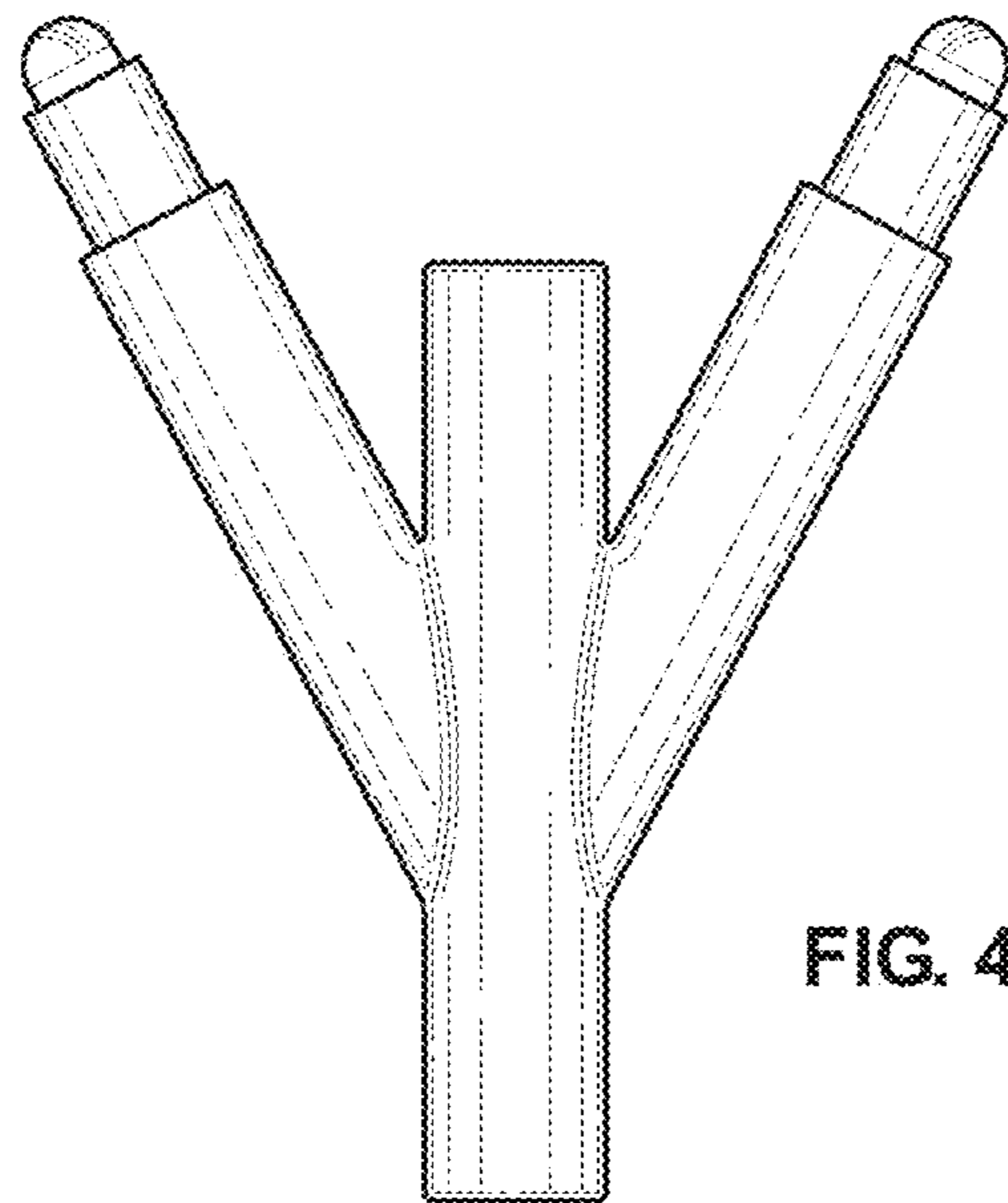


FIG. 4

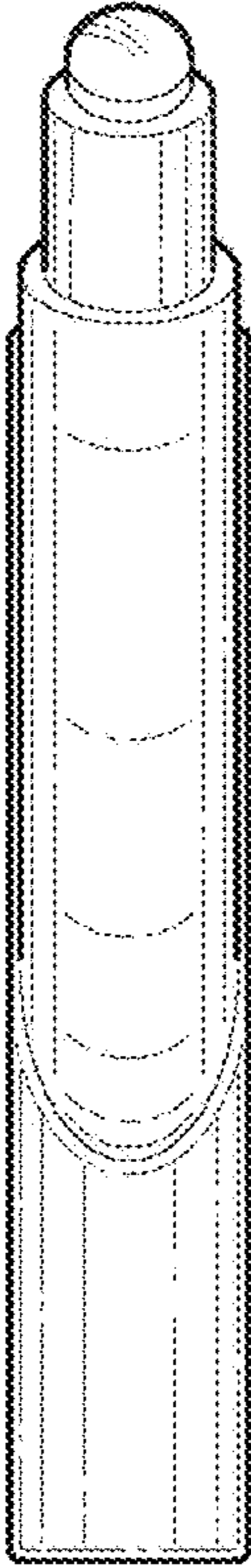


FIG. 5

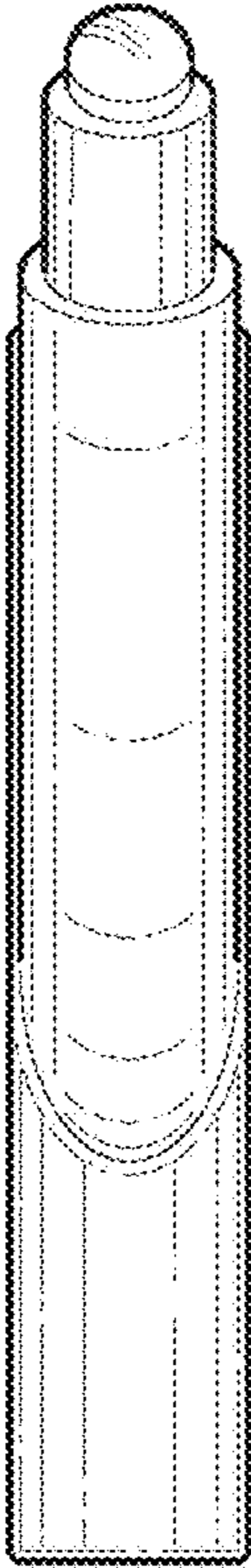


FIG. 6

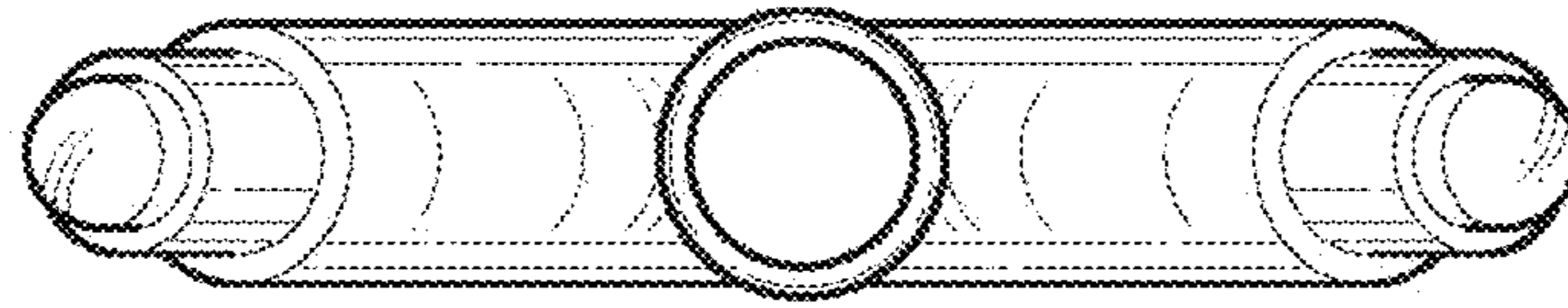


FIG. 7

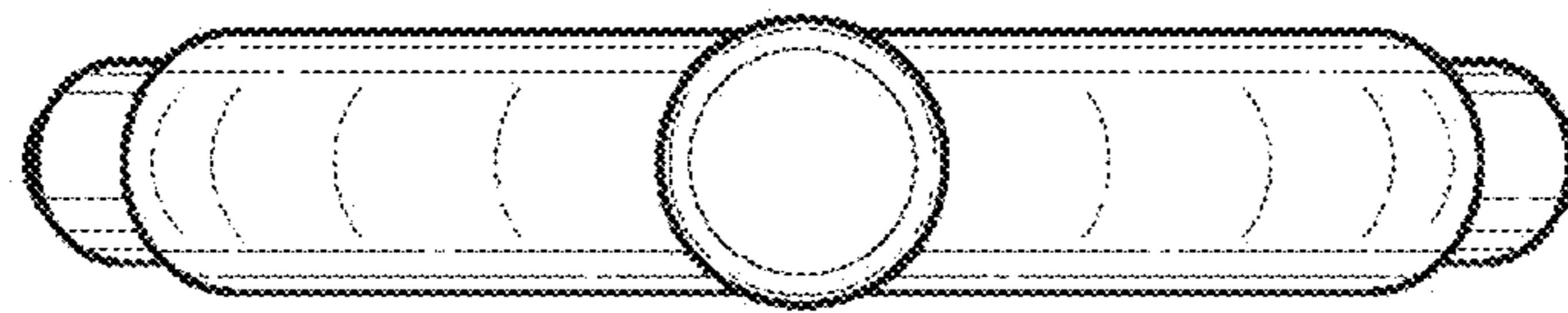


FIG. 8