



US00D802820S

(12) **United States Design Patent** (10) **Patent No.:** **US D802,820 S**  
**Stromberg** (45) **Date of Patent:** **\*\* \*Nov. 14, 2017**

- (54) **LUMINAIRE** 2,597,739 A \* 5/1952 Janness ..... F21S 8/04  
362/219
- (71) Applicant: **ZUMTOBEL LIGHTING GMBH,** D168,974 S \* 3/1953 Spaulding ..... D26/67  
Dornbirn (AT) 2,759,094 A \* 8/1956 Goddard ..... F21V 7/0016  
181/295
- (72) Inventor: **Daniel Stromberg,** Los Angeles, CA 2,874,271 A \* 2/1959 Lipscomb ..... F21S 8/06  
(US) 362/223
- (73) Assignee: **ZUMBOTEL LIGHTING GMBH,** D186,129 S \* 9/1959 Spaulding ..... D26/76  
Dornbirn (AT) D466,244 S \* 11/2002 Lewis ..... D26/76  
D483,510 S \* 12/2003 Fritze ..... D26/75  
D587,834 S \* 3/2009 Moritz ..... D26/76  
D604,002 S \* 11/2009 Santoro ..... D26/76  
D617,935 S \* 6/2010 Miletich ..... D26/76  
D757,981 S \* 5/2016 Stolte ..... D26/76
- (\*) Notice: This patent is subject to a terminal disclaimer.

- (\*\*) Term: **15 Years**
- (21) Appl. No.: **29/563,042**
- (22) Filed: **May 2, 2016**

(30) **Foreign Application Priority Data**

- Oct. 30, 2015 (EM) ..... 002842179
- (51) **LOC (10) Cl.** ..... **26-04**
- (52) **U.S. Cl.**  
USPC ..... **26/76**
- (58) **Field of Classification Search**  
USPC ..... D26/2, 3, 26, 27, 40, 42, 43, 60, 70, 72,  
D26/74-83, 88, 89, 91, 104, 106, 113,  
D26/119, 120, 122, 137, 135, 152, 153  
CPC ..... F21S 2/00; F21S 4/20; F21S 8/00; F21S  
8/02; F21S 8/031; F21S 8/035; F21S  
8/037; F21S 9/00; F21V 21/005; F21V  
33/00  
See application file for complete search history.

(56) **References Cited**

**U.S. PATENT DOCUMENTS**

- D123,761 S \* 12/1940 Pieper ..... D26/24
- D166,093 S \* 3/1952 McPhail ..... D26/76

**OTHER PUBLICATIONS**

Mellow Light (available online Mar. 21, 2016) Retrieved from the internet Mar. 3, 2017, retrieved from the internet URL: [www.lightlive.com/en/mellowlight](http://www.lightlive.com/en/mellowlight).\*

\* cited by examiner

*Primary Examiner* — Garth Rademaker

*Assistant Examiner* — Richard Kearney

(74) *Attorney, Agent, or Firm* — Scully Scott Murphy and Presser; Frank Digiglio

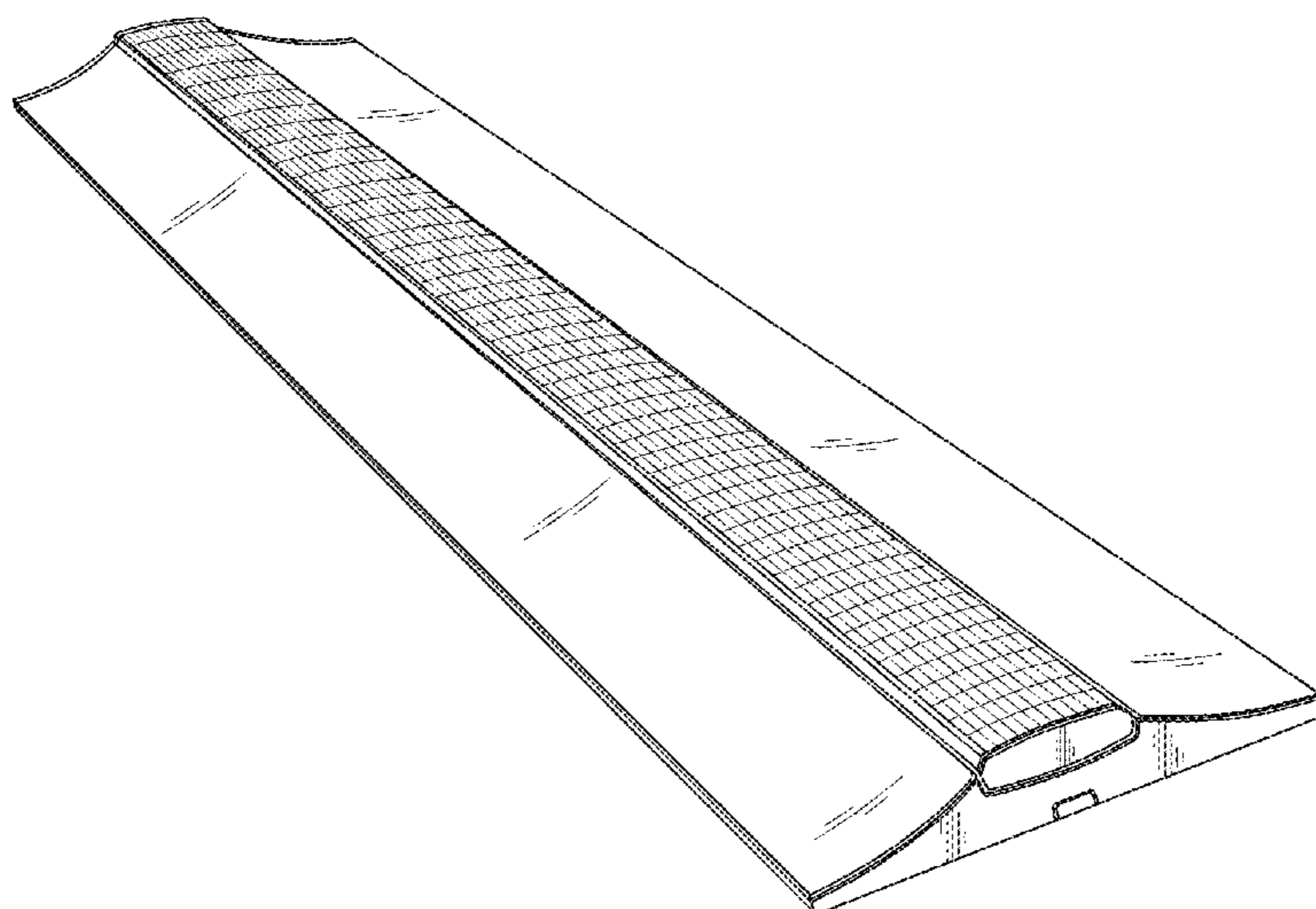
(57) **CLAIM**

The ornamental design for a luminaire, as shown and described.

**DESCRIPTION**

FIG. 1 illustrates a perspective view for a luminaire, showing my new and ornamental design;  
FIG. 2 illustrates a front view thereof;  
FIG. 3 illustrates a back view thereof;  
FIG. 4 illustrates a side view thereof;  
FIG. 5 illustrates an opposite side view thereof;  
FIG. 6 illustrates a bottom view thereof; and,  
FIG. 7 illustrates a top view thereof.

**1 Claim, 5 Drawing Sheets**



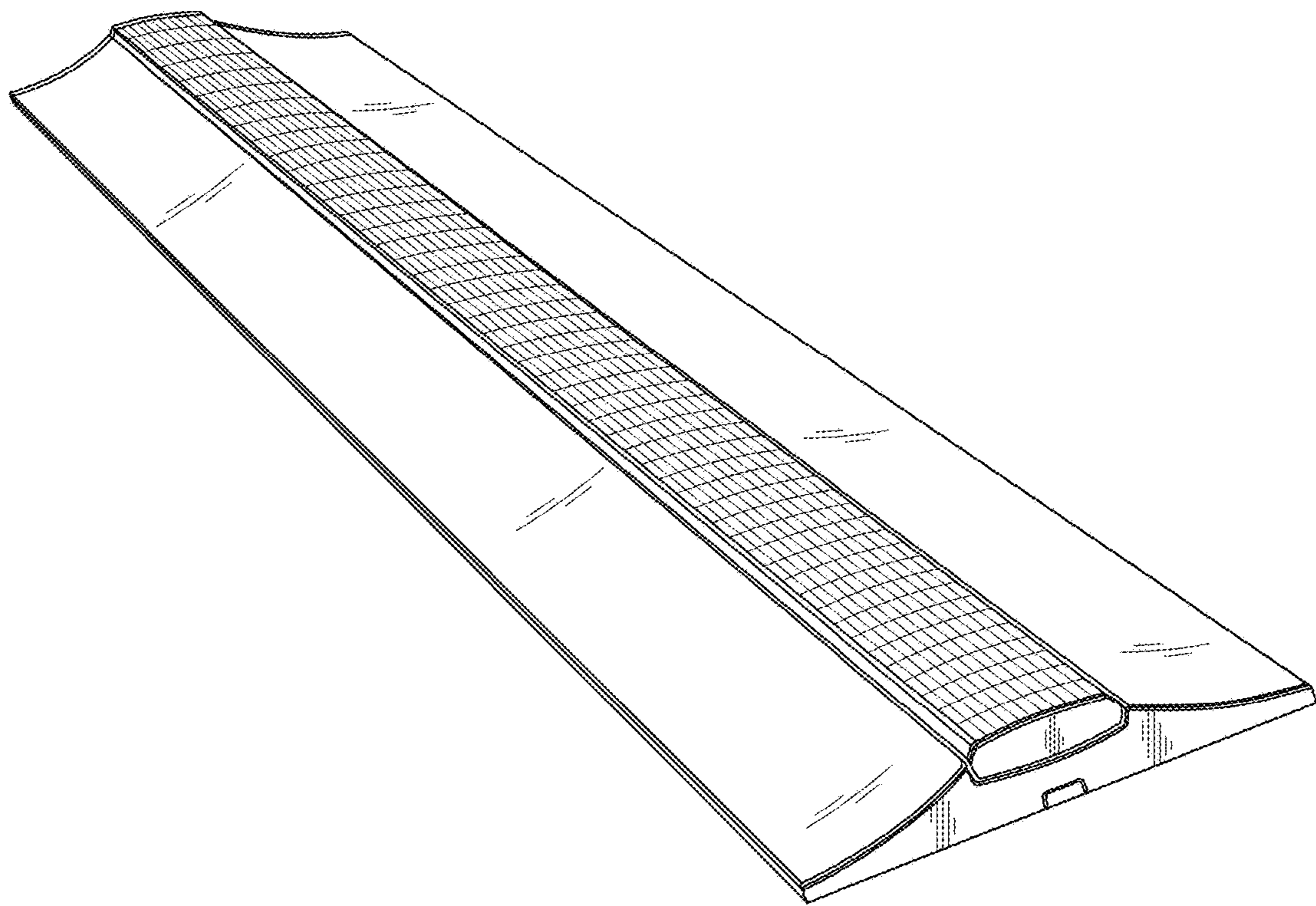


FIG. 1

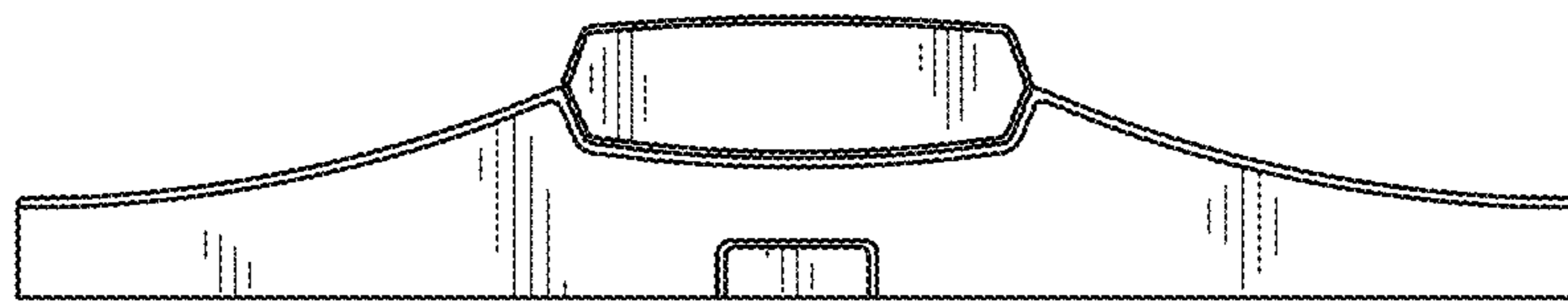


FIG. 2

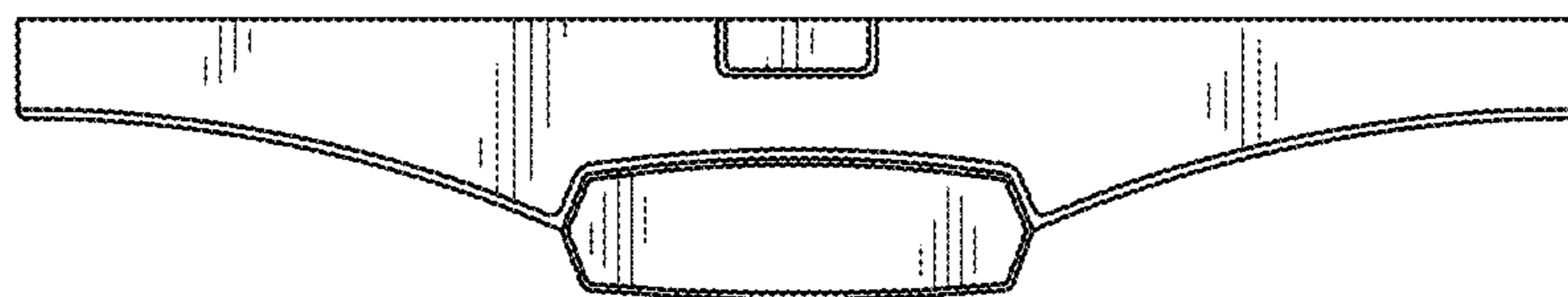


FIG. 3

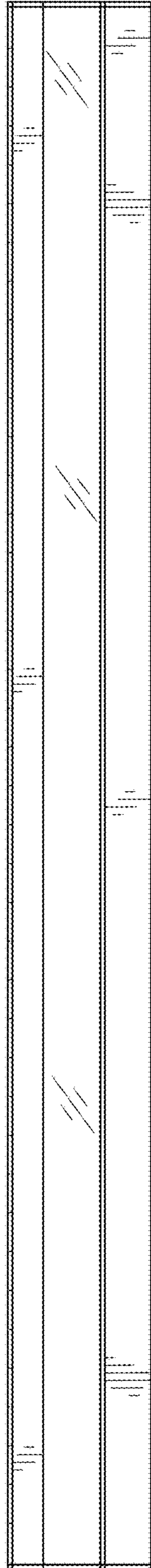


FIG. 4

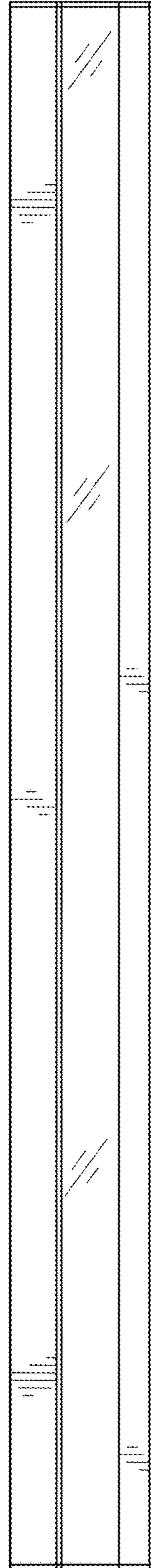


FIG. 5

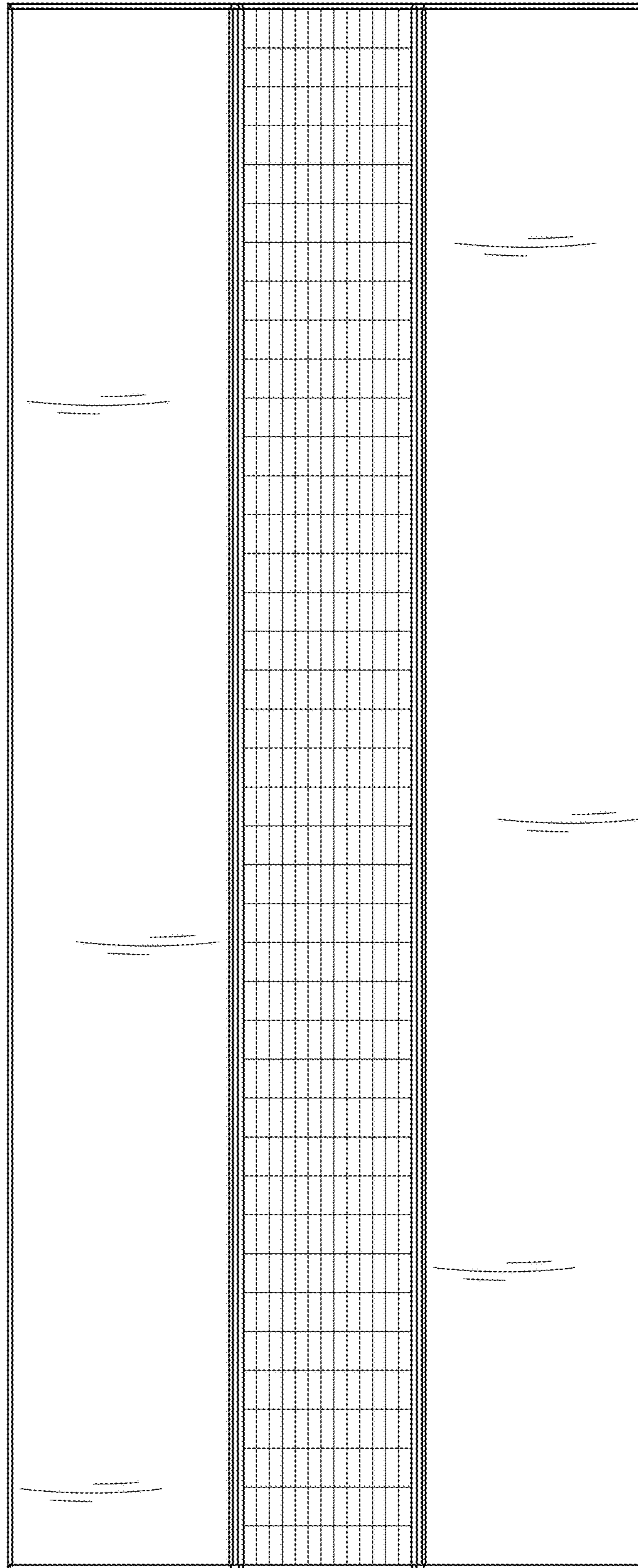


FIG. 6

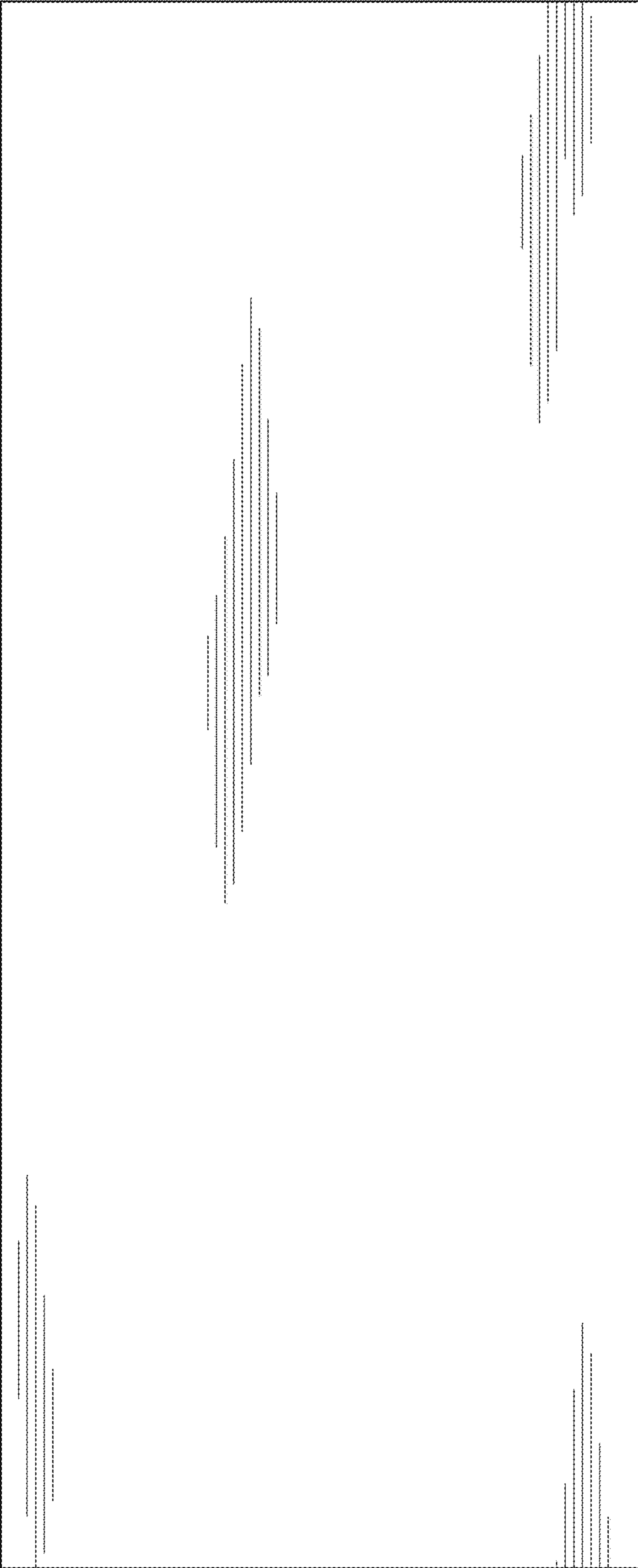


FIG. 7