



US00D802819S

(12) **United States Design Patent** (10) **Patent No.:** **US D802,819 S**
Czech et al. (45) **Date of Patent:** **** *Nov. 14, 2017**

(54) **LIGHT FIXTURE**

(71) Applicant: **Focal Point, LLC**, Chicago, IL (US)

(72) Inventors: **Ken Czech**, Naperville, IL (US);
Michael David SanFacon, Naperville,
IL (US); **Krutin S. Desai**, Chicago, IL
(US)

(73) Assignee: **Focal Point, LLC**, Chicago, IL (US)

(*) Notice: This patent is subject to a terminal disclaimer.

(**) Term: **15 Years**

(21) Appl. No.: **29/540,821**

(22) Filed: **Sep. 28, 2015**

(51) **LOC (10) Cl.** **26-03**

(52) **U.S. Cl.**
USPC **D26/76**

(58) **Field of Classification Search**
USPC D26/71, 72, 75, 76, 78, 79, 80, 81, 82,
D26/83, 85, 86, 88, 90, 113, 118, 119,
D26/120, 121, 122, 138
CPC F21S 2/00; F21S 4/00; F21S 4/003; F21S
4/005; F21S 4/006; F21S 4/007; F21S
4/008; F21S 6/00; F21S 8/00; F21S
8/024; F21S 8/026; F21S 8/031; F21S
8/033; F21S 8/035-8/037; F21S 8/04;
F21S 8/043; F21S 8/063
See application file for complete search history.

(56) **References Cited**

U.S. PATENT DOCUMENTS

D437,446 S *	2/2001	Reo	D26/91
D452,995 S *	1/2002	Barry	D6/300
D491,687 S *	6/2004	Thornton, Jr.	D26/76
D493,244 S *	7/2004	Engel	D26/76
D592,347 S *	5/2009	Trott	D26/74
D592,348 S *	5/2009	Trott	D26/74

D597,241 S *	7/2009	Fabbri	D26/74
D613,074 S *	4/2010	Dathe	D6/300
D632,008 S *	2/2011	Kim	D26/120
D645,193 S *	9/2011	Chung	D26/75
D650,509 S *	12/2011	Wegger	D26/90
D654,703 S *	2/2012	LeMay	D6/300
D660,498 S *	5/2012	Chung	D26/75
D664,700 S *	7/2012	Ferguson	D26/76
D679,437 S *	4/2013	Watt	D26/74
D731,189 S *	6/2015	Kim	D6/300
D737,500 S *	8/2015	Santoro	D26/120
D738,032 S *	9/2015	Maxik	D26/118

(Continued)

OTHER PUBLICATIONS

Finelite, Inc., "E1-Indirect Configuration," Elements of Design E1 LED Indirect Brochure, Dec. 21, 2015, p. 2, published 2014.

(Continued)

Primary Examiner — George D Kirschbaum

Assistant Examiner — Natasha Vujcic

(74) *Attorney, Agent, or Firm* — Banner & Witcoff, Ltd.

(57) **CLAIM**

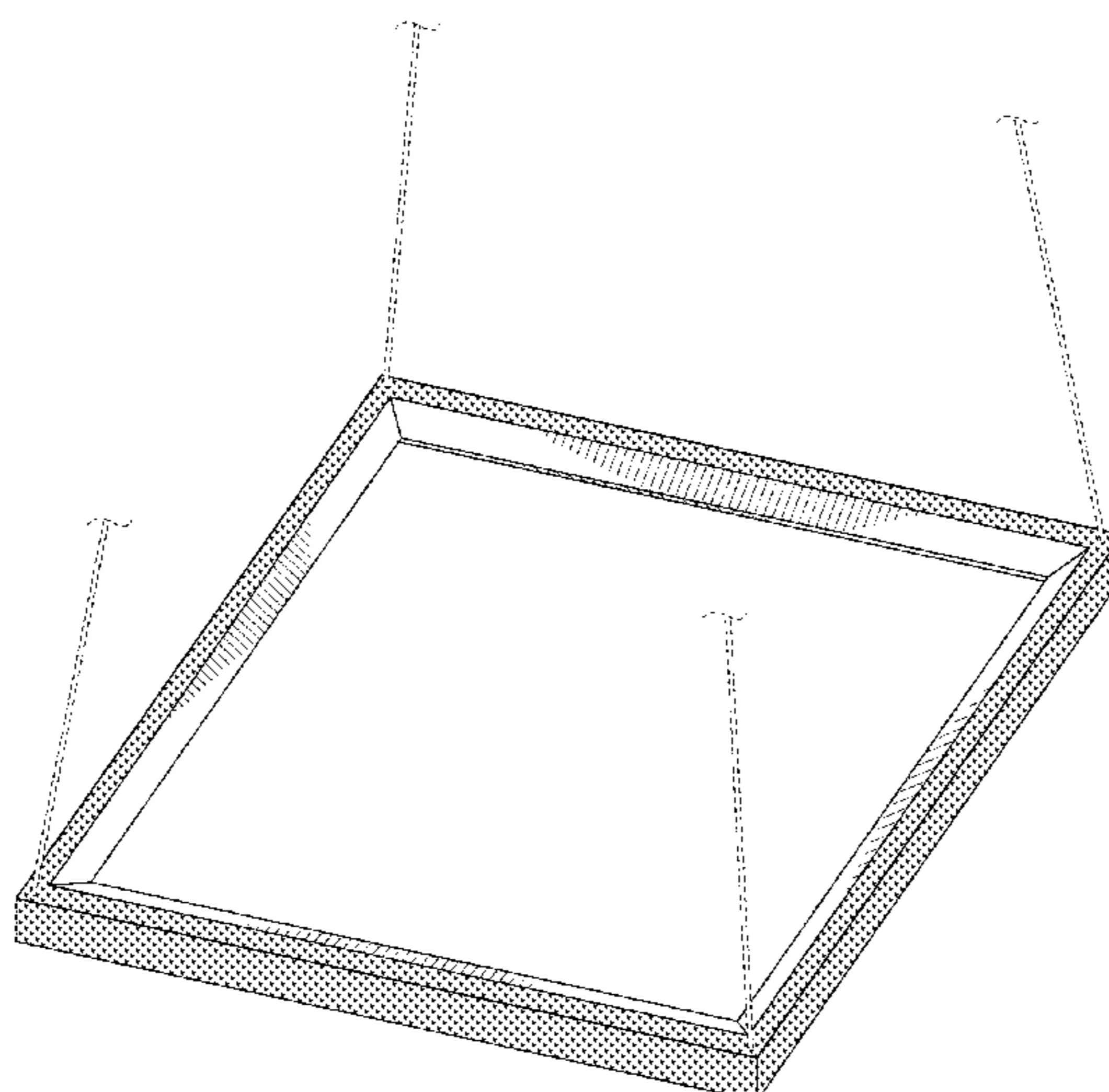
The ornamental design for a light fixture, as shown and described.

DESCRIPTION

FIG. 1 is a first perspective view of a light fixture showing our new design;
FIG. 2 is a second perspective view thereof;
FIG. 3 is a top view thereof;
FIG. 4 is a bottom view thereof;
FIG. 5 is a front view thereof; wherein the rear view is a mirror image of FIG. 5; and,
FIG. 6 is a side view thereof wherein the alternate side view is a mirror image of FIG. 6.

The broken lines in the drawings illustrate portions of the environment of the light fixture which forms no part of the claimed design.

1 Claim, 6 Drawing Sheets



(56)

References Cited

U.S. PATENT DOCUMENTS

D747,109 S * 1/2016 Shay-Puetzer D6/300
D749,257 S * 2/2016 Arndt D26/76
D773,098 S * 11/2016 Czech D26/76
D780,364 S * 2/2017 Czech D26/78
2010/0149791 A1* 6/2010 McCane F21S 8/04
362/147
2010/0165627 A1* 7/2010 Wung F21S 2/005
362/249.02

OTHER PUBLICATIONS

Prudential Lighting Corporation, "Zenith In," Zenith Series Brochure, Dec. 21, 2015, p. 3, published 2015.

* cited by examiner

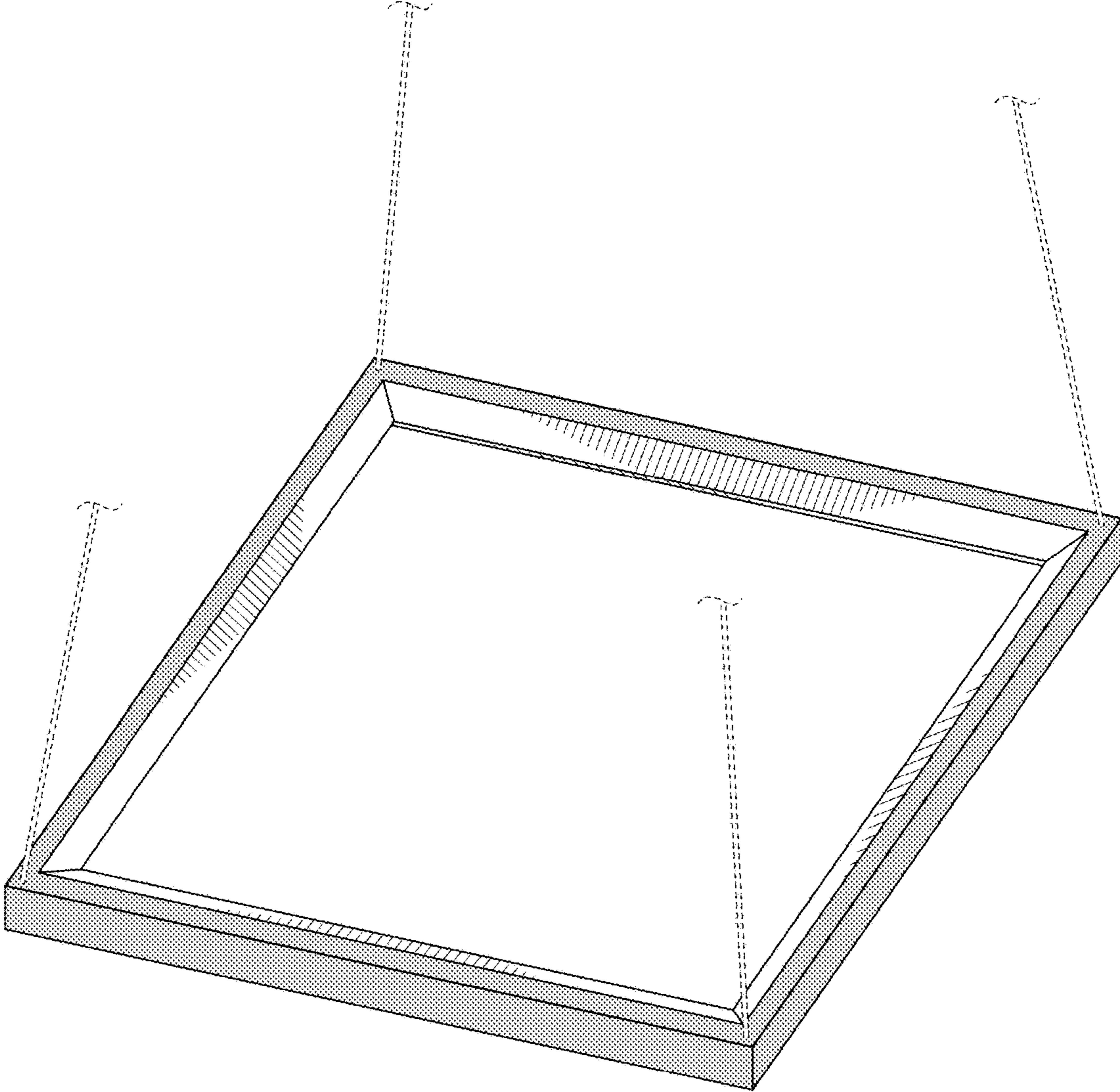


FIG. 1

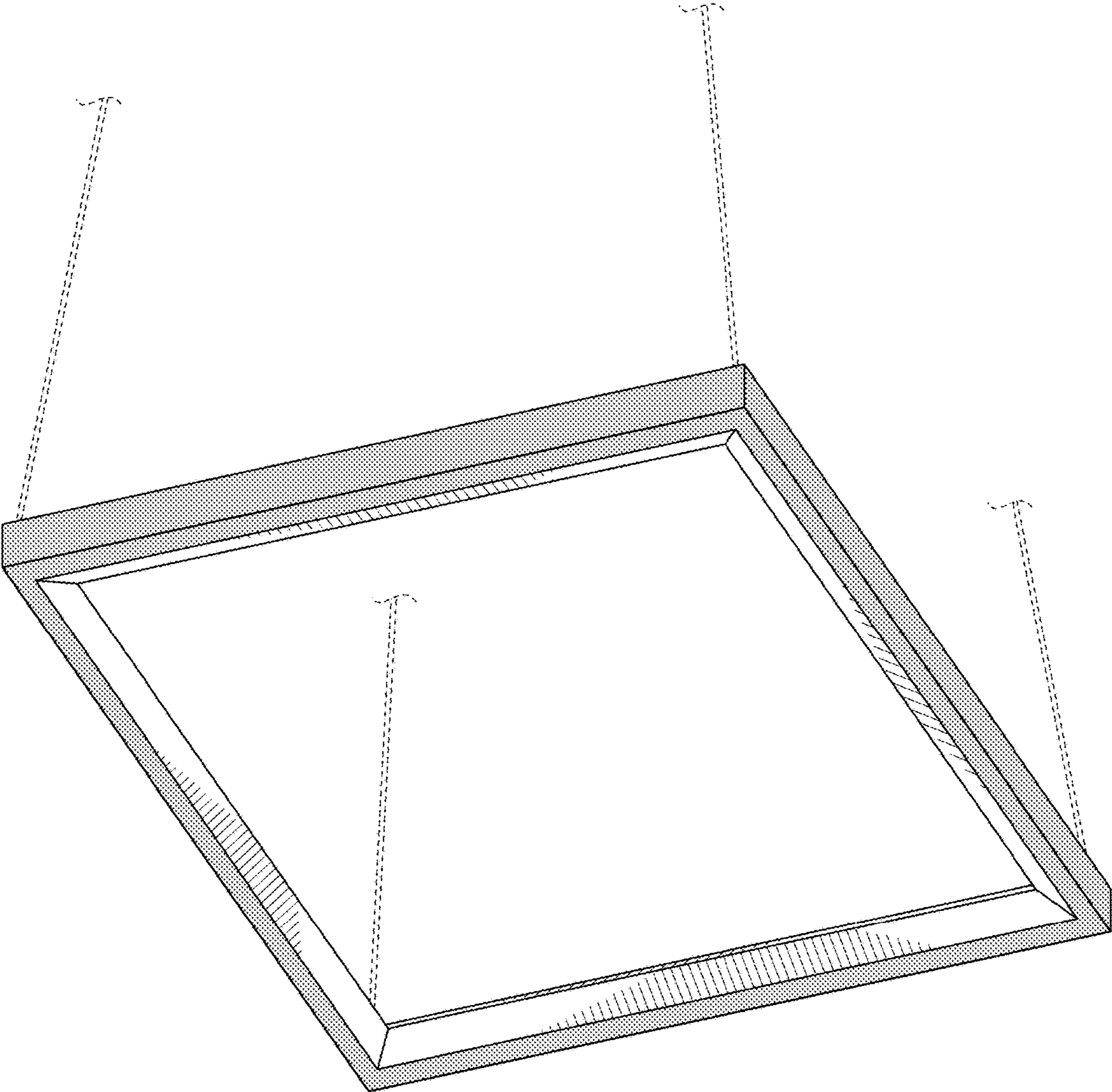


FIG. 2

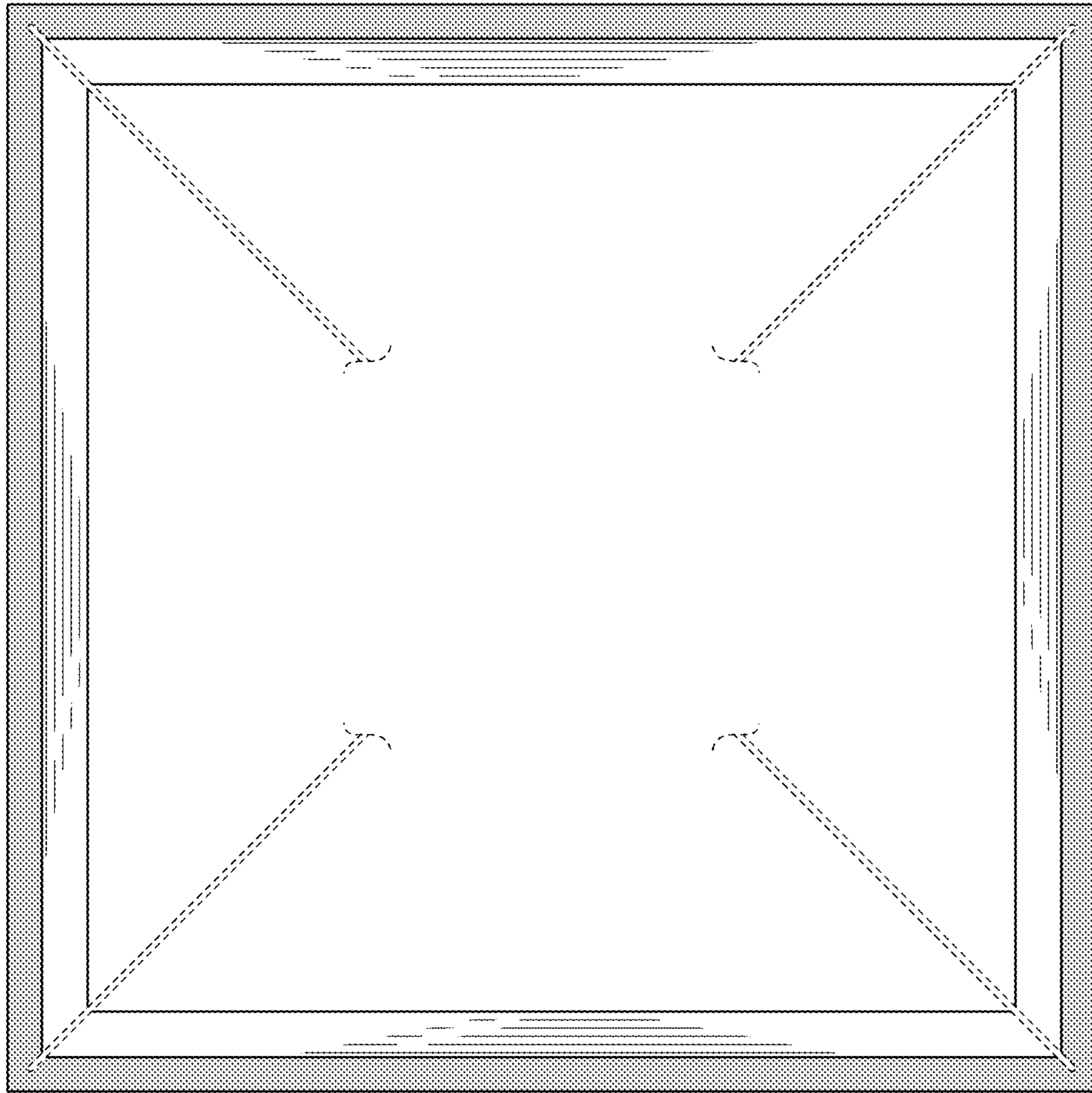


FIG. 3

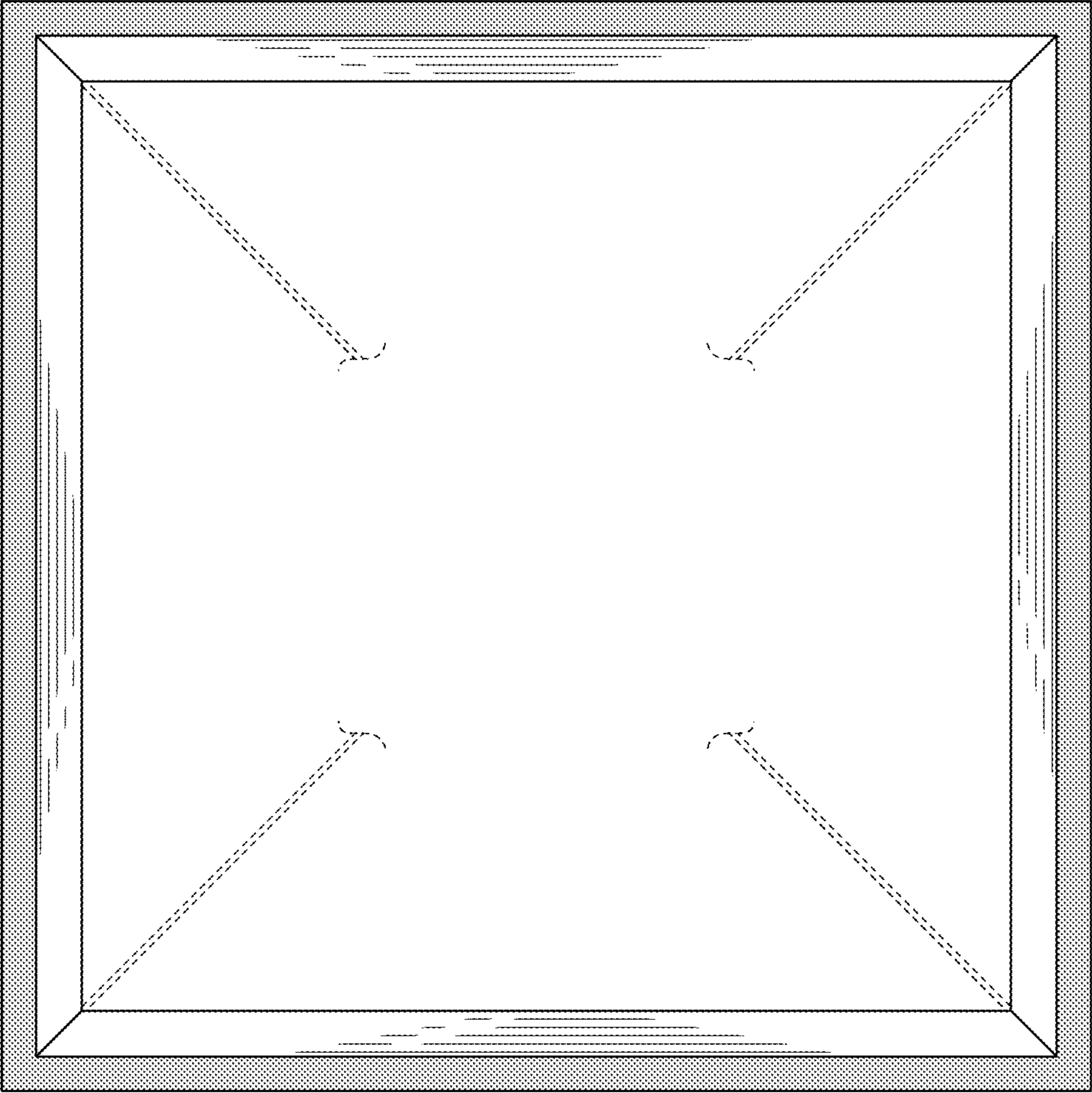


FIG. 4

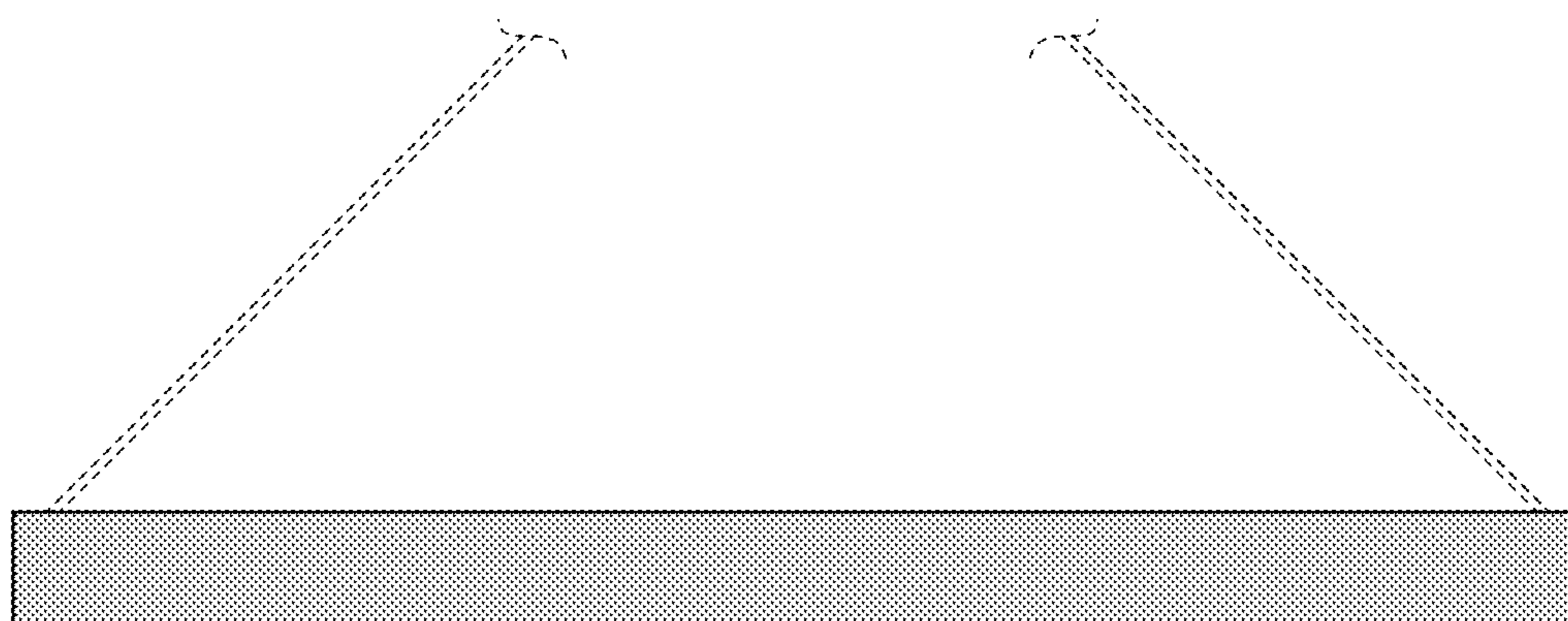


FIG. 5

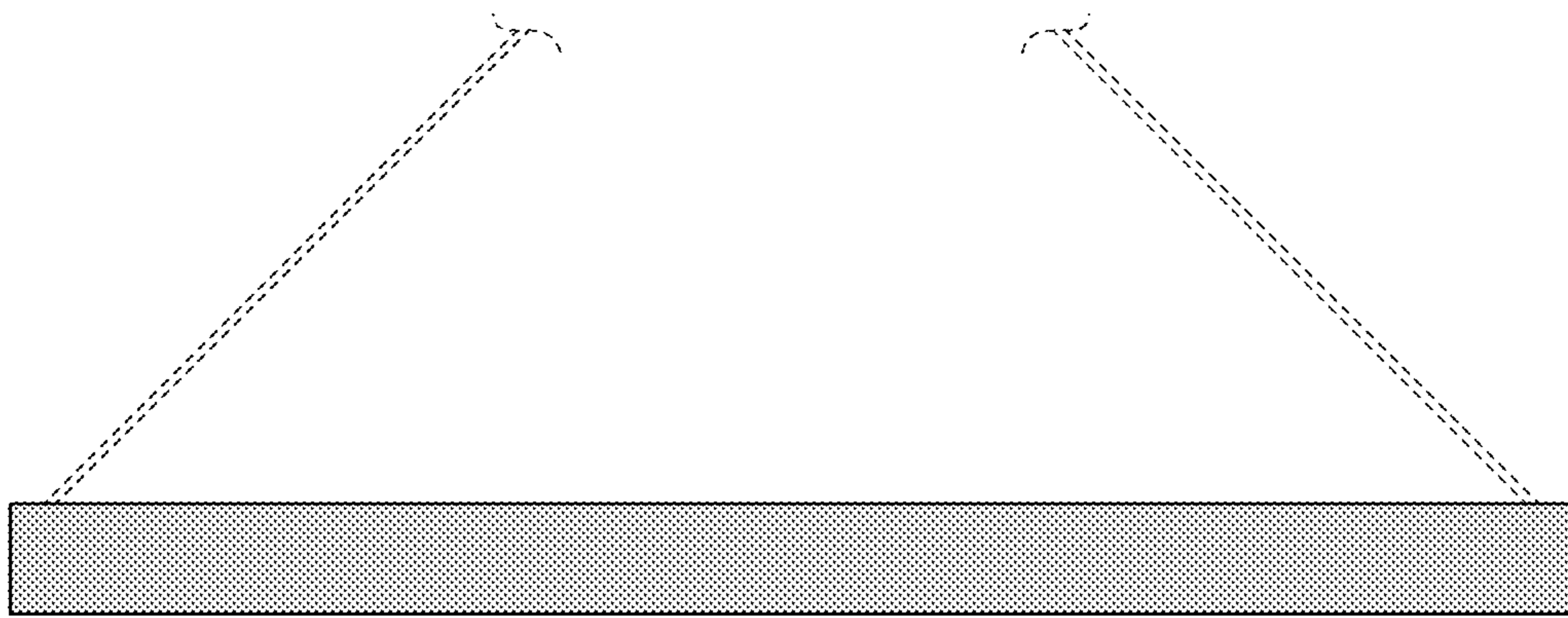


FIG. 6