



US00D802818S

(12) **United States Design Patent**
Pfund et al.

(10) **Patent No.:** **US D802,818 S**

(45) **Date of Patent:** **** Nov. 14, 2017**

(54) **LUMINAIRE**

(71) Applicant: **SYLVAN R. SHEMITZ DESIGNS, LLC**, West Haven, CT (US)

(72) Inventors: **David R Pfund**, Woodbridge, CT (US);
Paul Ford, Orange, CT (US)

(73) Assignee: **SYLVAN R. SHEMITZ DESIGNS, LLC**, West Haven, CT (US)

(**) Term: **15 Years**

(21) Appl. No.: **29/529,061**

(22) Filed: **Jun. 3, 2015**

(51) **LOC (10) Cl.** **26-03**

(52) **U.S. Cl.**
USPC **D26/76**

(58) **Field of Classification Search**
USPC D26/76, 78, 79, 80, 81, 82, 83, 85, 86,
D26/88, 90, 113, 118, 119, 120, 121, 122,
D26/138, 139, 140, 141, 142
CPC F21S 2/00; F21S 4/00; F21S 4/003; F21S
4/005; F21S 4/006; F21S 4/007; F21S
4/008; F21S 6/00; F21S 8/00; F21S
8/024; F21S 8/026; F21S 8/031; F21S
8/033; F21S 8/035–8/037; F21S 8/04;
F21S 8/043; F21S 8/063

See application file for complete search history.

(56) **References Cited**

U.S. PATENT DOCUMENTS

D191,628 S * 10/1961 Muller D26/76
D556,362 S * 11/2007 Pfund D26/58

D563,019 S * 2/2008 Pfund D26/142
D564,692 S * 3/2008 Pfund D26/72
D565,234 S * 3/2008 Pfund D26/76
D572,399 S * 7/2008 Pfund D26/72
D580,583 S * 11/2008 Pfund D26/76
D599,945 S * 9/2009 Pfund D26/76
D627,503 S * 11/2010 Postelmans D26/72
D632,422 S * 2/2011 van den Akker D26/128
D632,423 S * 2/2011 Canfield D26/138
D747,539 S * 1/2016 Santoro D26/120
2006/0232981 A1* 10/2006 Pfund F21S 8/033
362/368

* cited by examiner

Primary Examiner — George D Kirschbaum

Assistant Examiner — Natasha Vujcic

(74) *Attorney, Agent, or Firm* — Cantor Colburn LLP

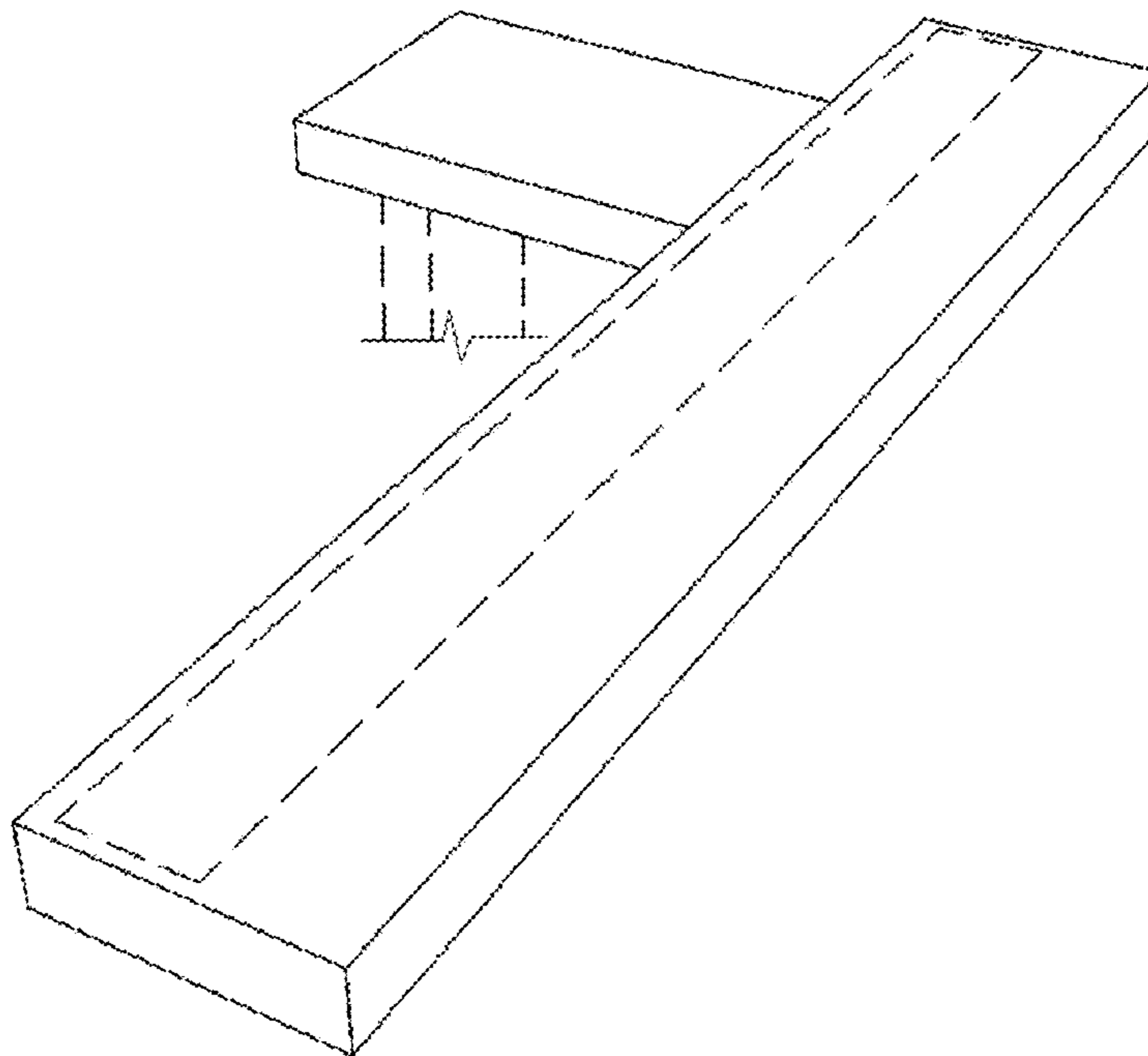
(57) **CLAIM**

We claim, the ornamental design for a luminaire, as shown and described.

DESCRIPTION

FIG. 1 is a top perspective view of a luminaire showing our new design;
FIG. 2 is a bottom perspective view thereof;
FIG. 3 is a top plan view thereof;
FIG. 4 is a bottom plan view thereof;
FIG. 5 is a side elevation view thereof, the opposite side being a mirror image thereof; and,
FIG. 6 is a rear elevation view thereof.
The broken lines in the drawings illustrate portions of the luminaire which form no part of the claimed design.

1 Claim, 3 Drawing Sheets



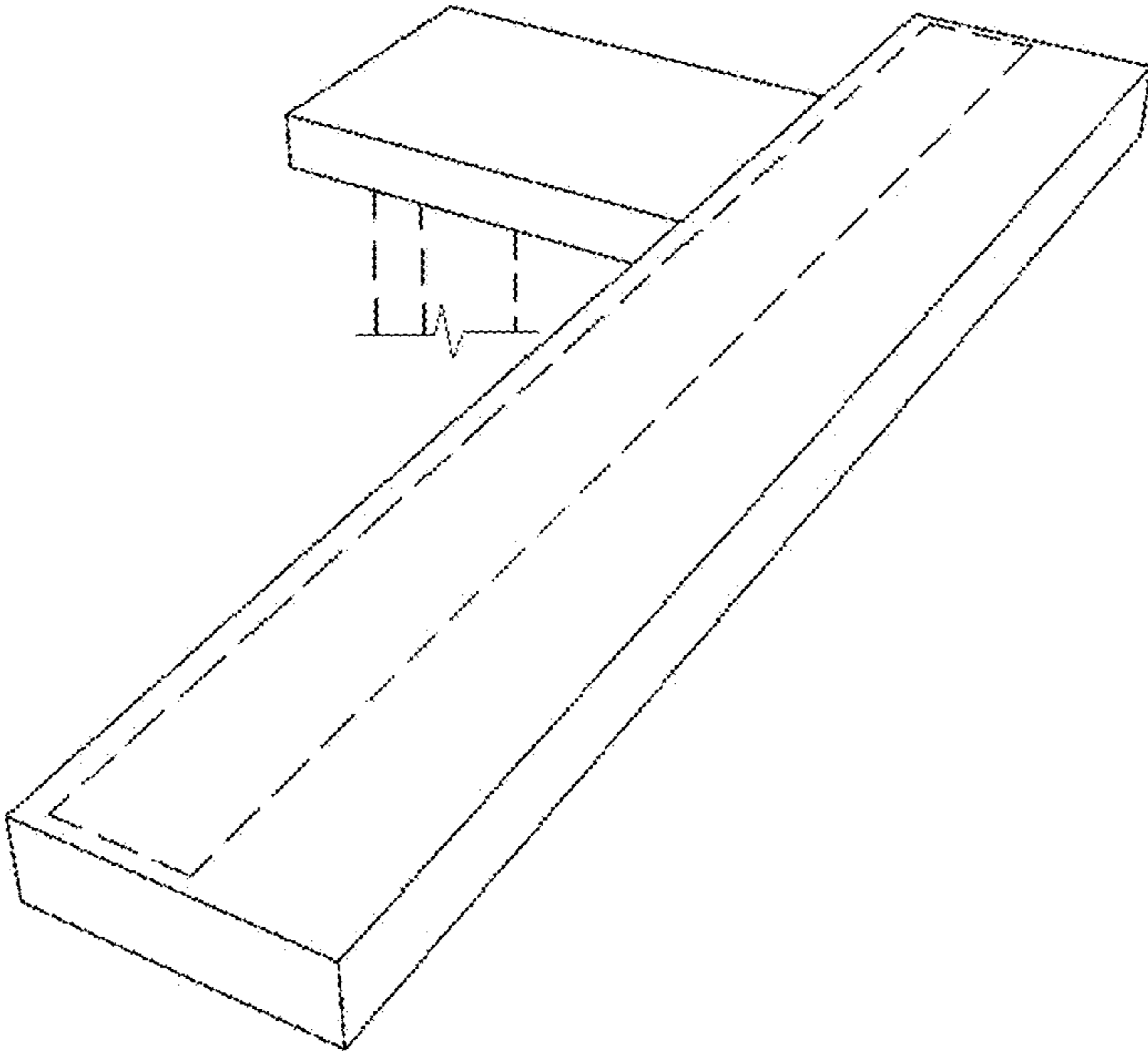


FIG. 1

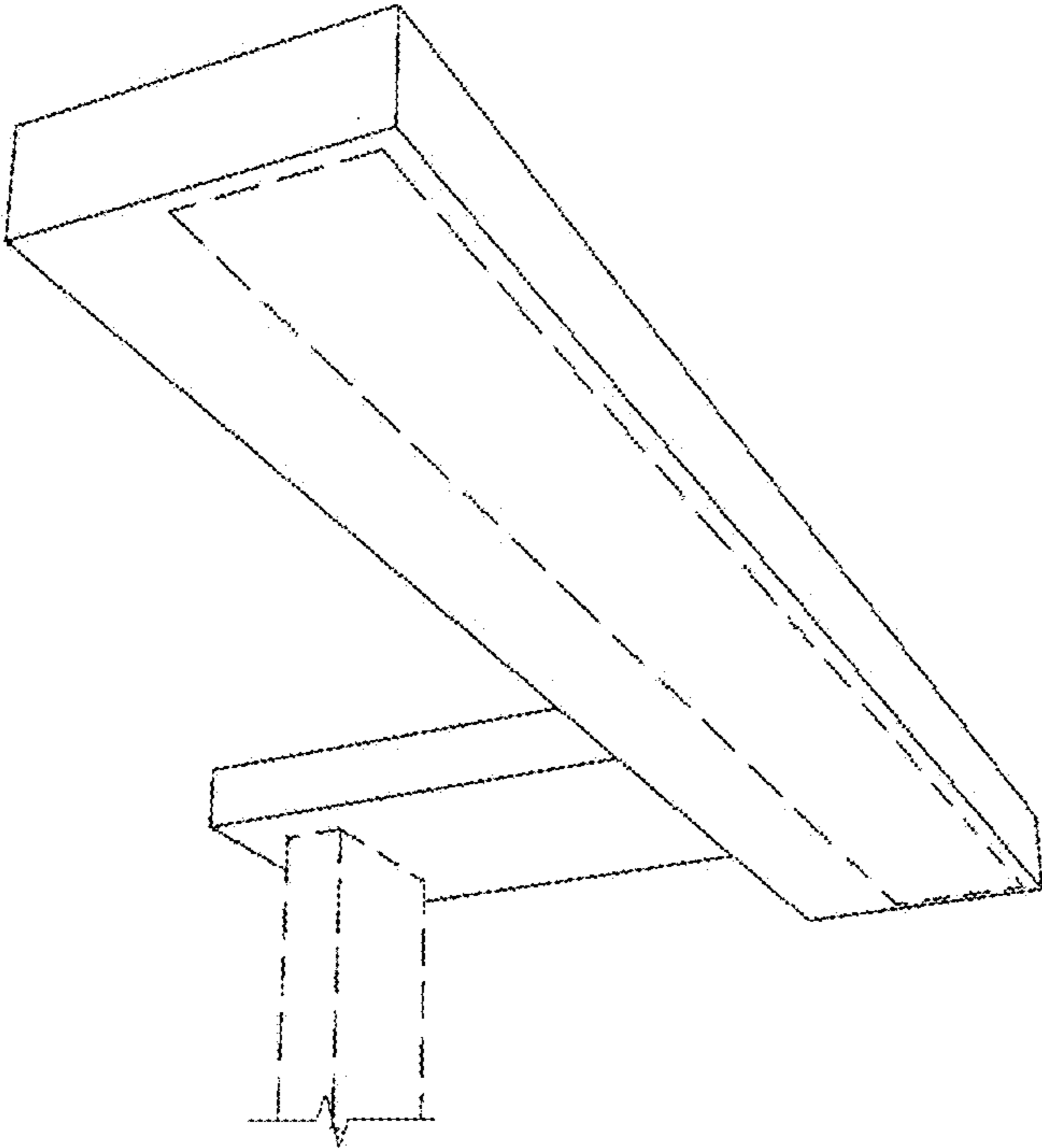


FIG. 2

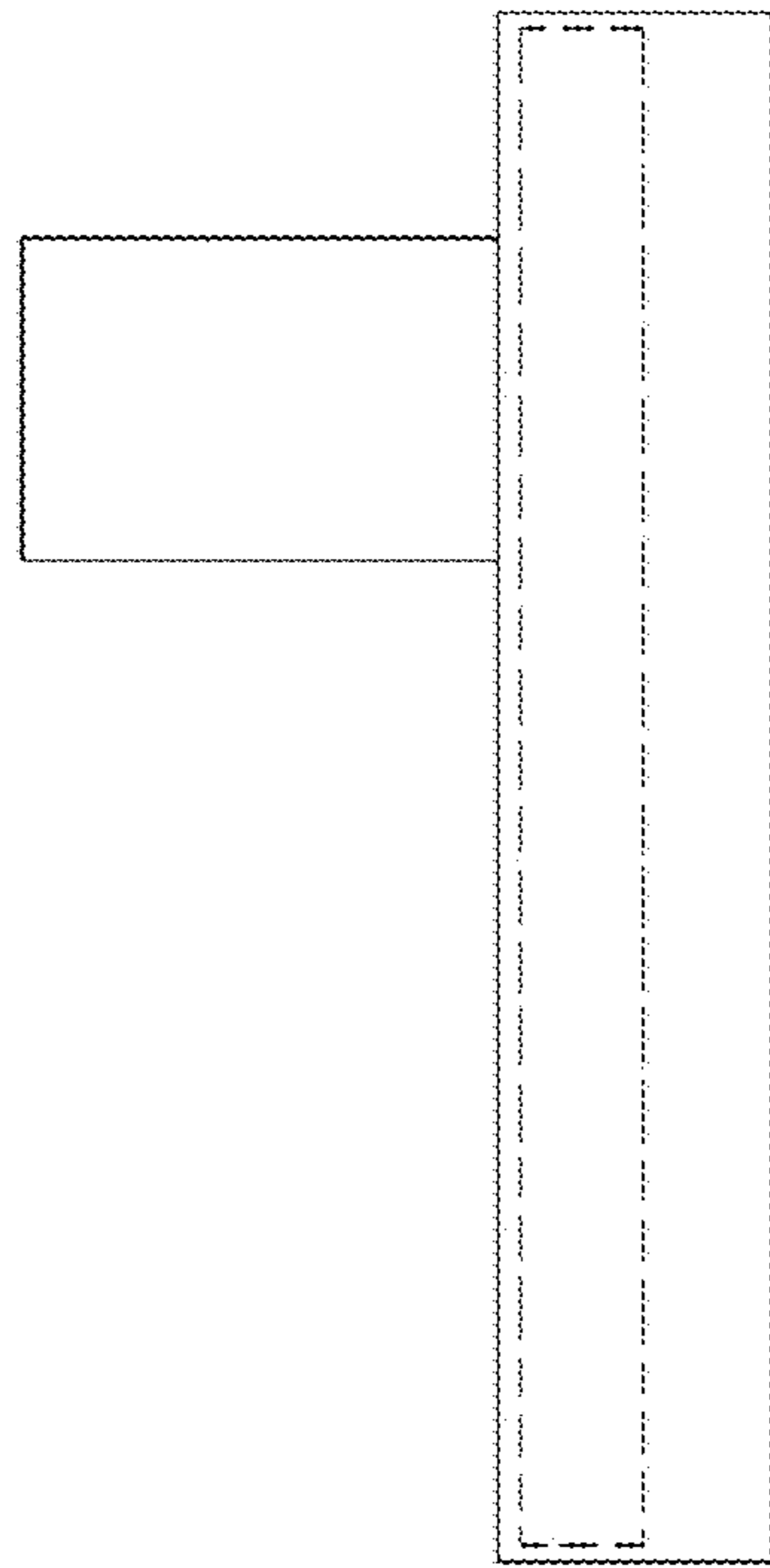


FIG. 3

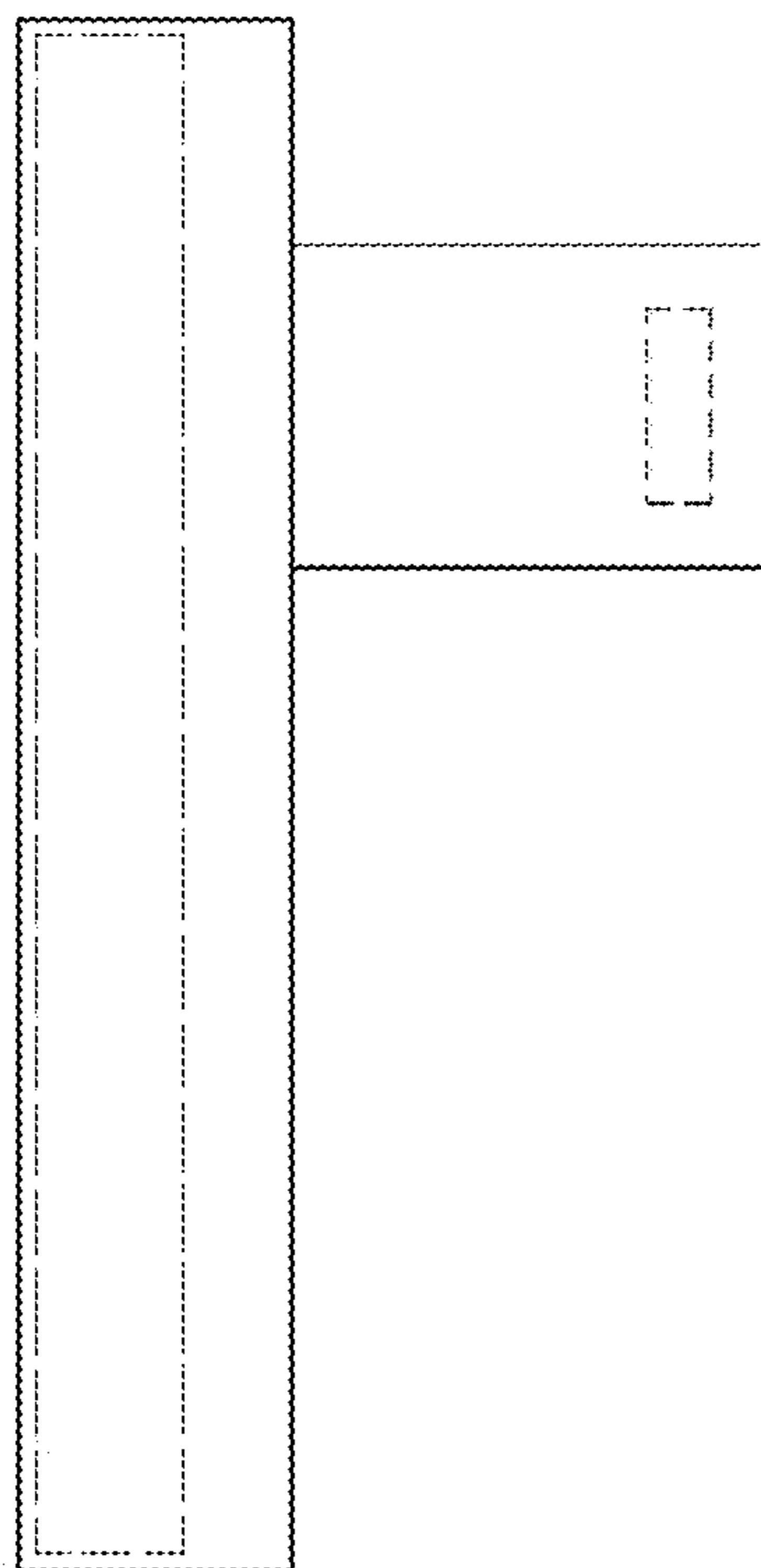


FIG. 4

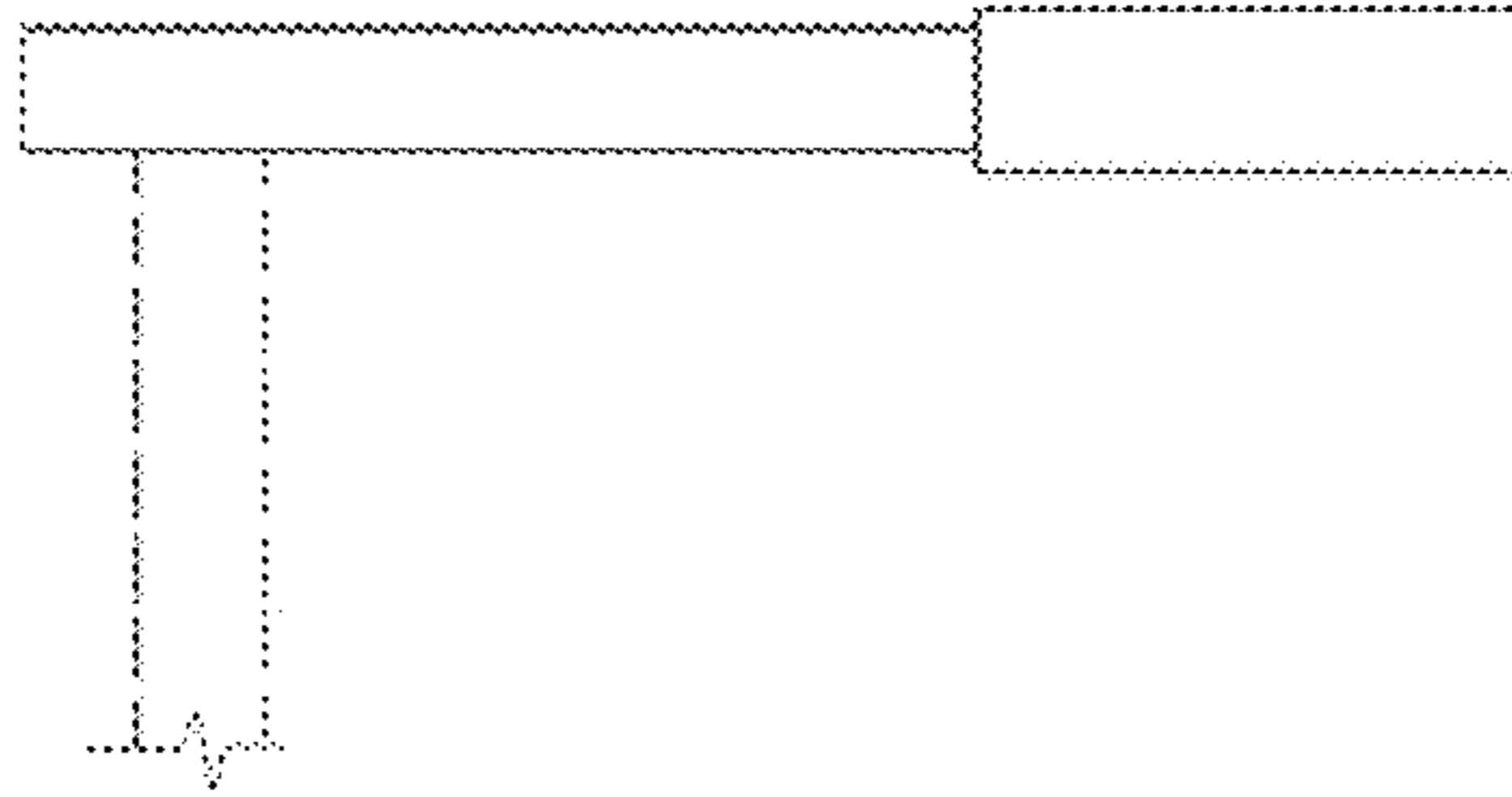


FIG. 5

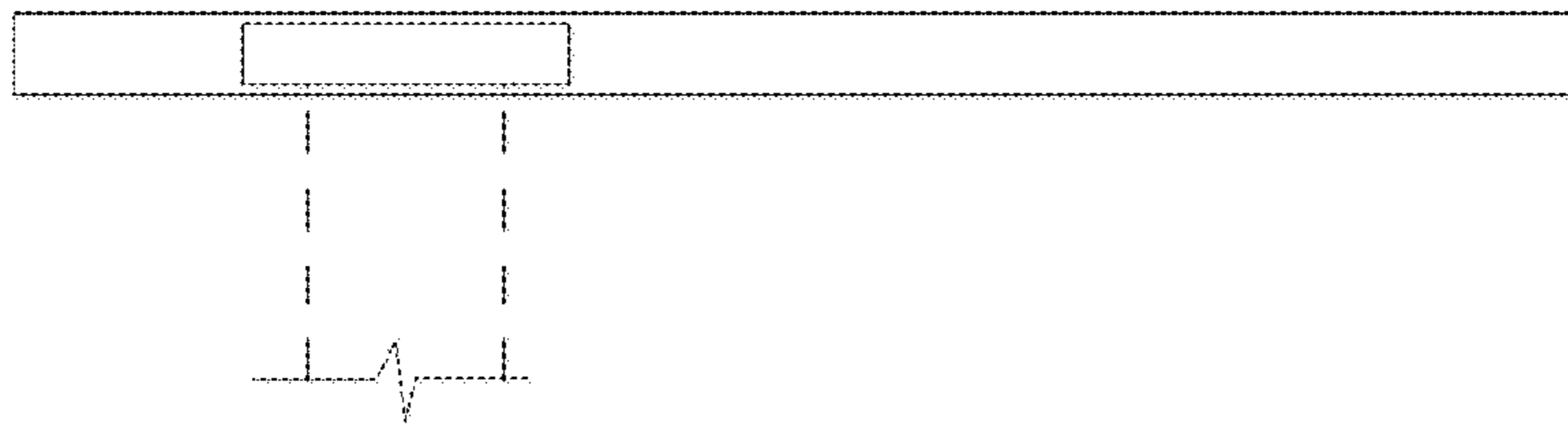


FIG. 6