



US00D802814S

(12) **United States Design Patent**  
**Sonneman**

(10) **Patent No.:** **US D802,814 S**

(45) **Date of Patent:** **\*\* Nov. 14, 2017**

(54) **LIGHT FIXTURE**

(71) Applicant: **Robert A. Sonneman**, Mamaroneck,  
NY (US)

(72) Inventor: **Robert A. Sonneman**, Mamaroneck,  
NY (US)

(\*\*) Term: **15 Years**

(21) Appl. No.: **29/601,780**

(22) Filed: **Apr. 26, 2017**

(51) **LOC (10) Cl.** ..... **26-05**

(52) **U.S. Cl.**  
USPC ..... **D26/71; D26/69**

(58) **Field of Classification Search**  
USPC ..... D26/67-71, 87, 92, 118  
CPC .... F21S 8/032; F21S 8/08; F21S 8/081; F21S  
8/083; F21S 8/085; F21S 8/088; F21S  
6/004; F21S 9/03; F21S 9/032; F21S  
9/035; F21S 9/037; F21S 13/10; F21W  
2131/10; F21W 2131/107; F21W  
2131/109; F21W 2111/023; F21V  
21/0824; F21V 7/041

See application file for complete search history.

(56) **References Cited**

**U.S. PATENT DOCUMENTS**

D54,630 S *	3/1920	Jimmerson	.....	D26/87
D205,720 S *	9/1966	Villa	.....	D26/71
D222,810 S *	1/1972	Husby et al.	.....	D26/71
3,651,320 A *	3/1972	Lasker	.....	F21S 8/088 362/303
D233,166 S *	10/1974	Gore et al.	.....	D26/87
D236,909 S *	9/1975	Richilano	.....	D26/68
4,317,164 A *	2/1982	Karaktin	.....	F21S 8/08 362/147
D294,066 S *	2/1988	Ewing	.....	D26/71
D301,175 S *	5/1989	Benjamin	.....	D26/67
D344,604 S *	2/1994	Solberg	.....	D26/69
D381,106 S *	7/1997	Brohard	.....	D26/67

D383,866 S *	9/1997	Brohard	.....	D26/67
D385,643 S *	10/1997	Brohard	.....	D26/71
7,393,124 B1 *	7/2008	Williams	.....	F21V 21/36 362/403
D580,085 S *	11/2008	Svensson	.....	D26/71
D631,180 S *	1/2011	Leroux	.....	D26/71
D678,580 S *	3/2013	Rizzi	.....	D26/71
D694,454 S *	11/2013	Fang	.....	D26/71
D697,659 S *	1/2014	Sabernig	.....	D26/87

(Continued)

**OTHER PUBLICATIONS**

REALS 16 LED Double Bollard, Item #7306.DC.DL.74-WL from  
sonnemanawayofflight.com. ©2017. Site visited Jun. 16, 2017.\*

(Continued)

*Primary Examiner* — Clare E Heflin

(74) *Attorney, Agent, or Firm* — Gottlieb, Rackman &  
Reisman, P.C.

(57) **CLAIM**

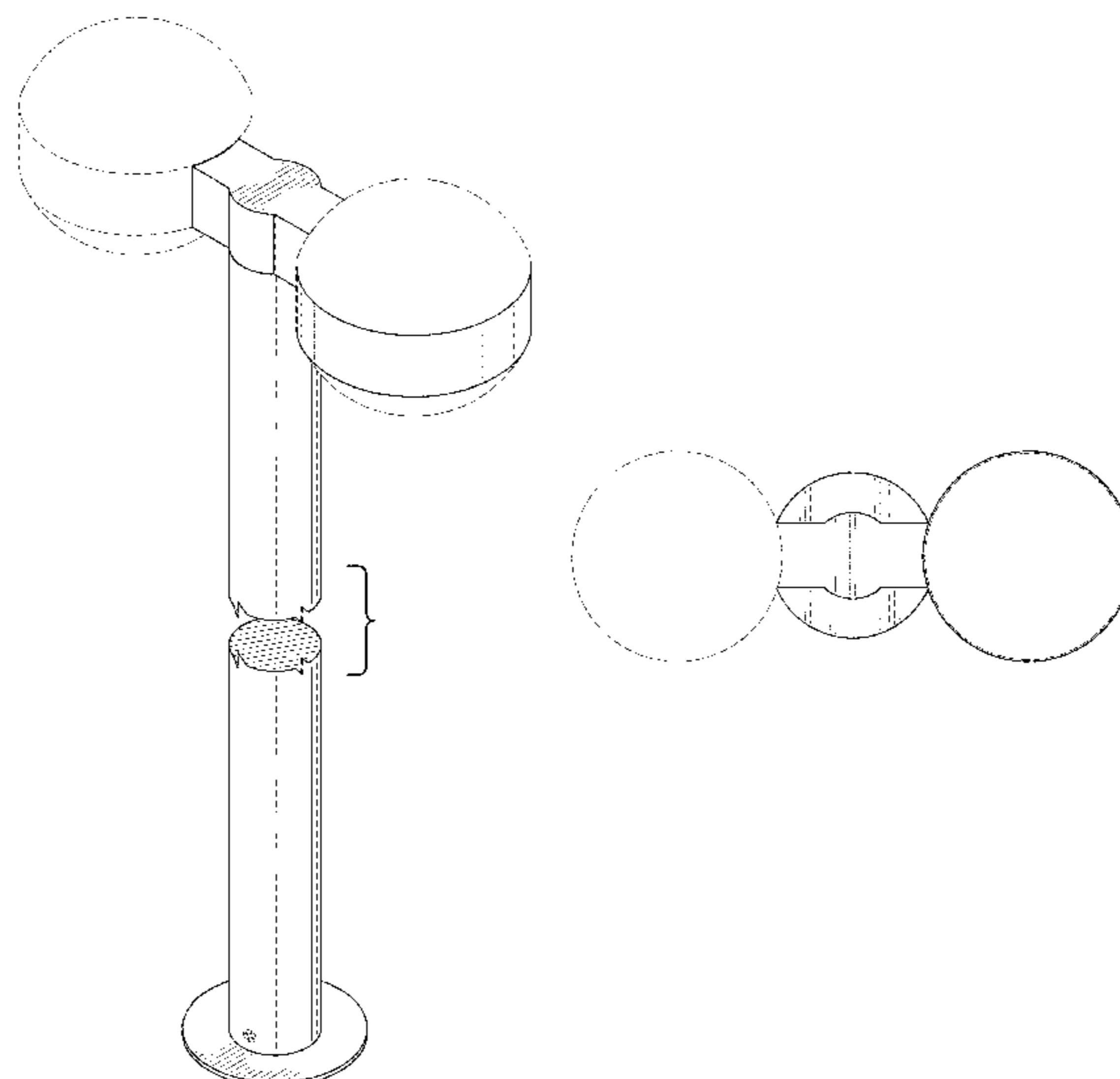
The ornamental design for a light fixture, as shown and  
described.

**DESCRIPTION**

FIG. 1 is a perspective view of the light fixture showing my  
new design;  
FIG. 2 is a front elevational view thereof;  
FIG. 3 is a rear elevational view thereof;  
FIG. 4 is a left side elevational view thereof;  
FIG. 5 is a right side elevational view thereof;  
FIG. 6 is a top plan view thereof; and,  
FIG. 7 is a bottom plan view thereof.

The break lines in FIGS. 1-5 are to indicate that the  
appearance of any portion of the light fixture between the  
break lines form no part of the claimed design, and the  
broken lines shown in the drawings are included for the  
purpose of illustrating portions of the article that form no  
part of the claimed design as well.

**1 Claim, 5 Drawing Sheets**



(56)

**References Cited**

U.S. PATENT DOCUMENTS

D783,882 S \* 4/2017 Dolan ..... D26/87  
2013/0083516 A1\* 4/2013 Yoon ..... F21V 29/54  
362/190

OTHER PUBLICATIONS

REALS 16 LED Double Bollard, Item #7306.PC.DL.74-WL from  
sonnemanawayofflight.com. ©2017. Site visited Jun. 16, 2017.\*  
Assembly Instructions for REAL series bollards. Page 2 of 3. Dated  
Oct. 20, 2016.\*

\* cited by examiner

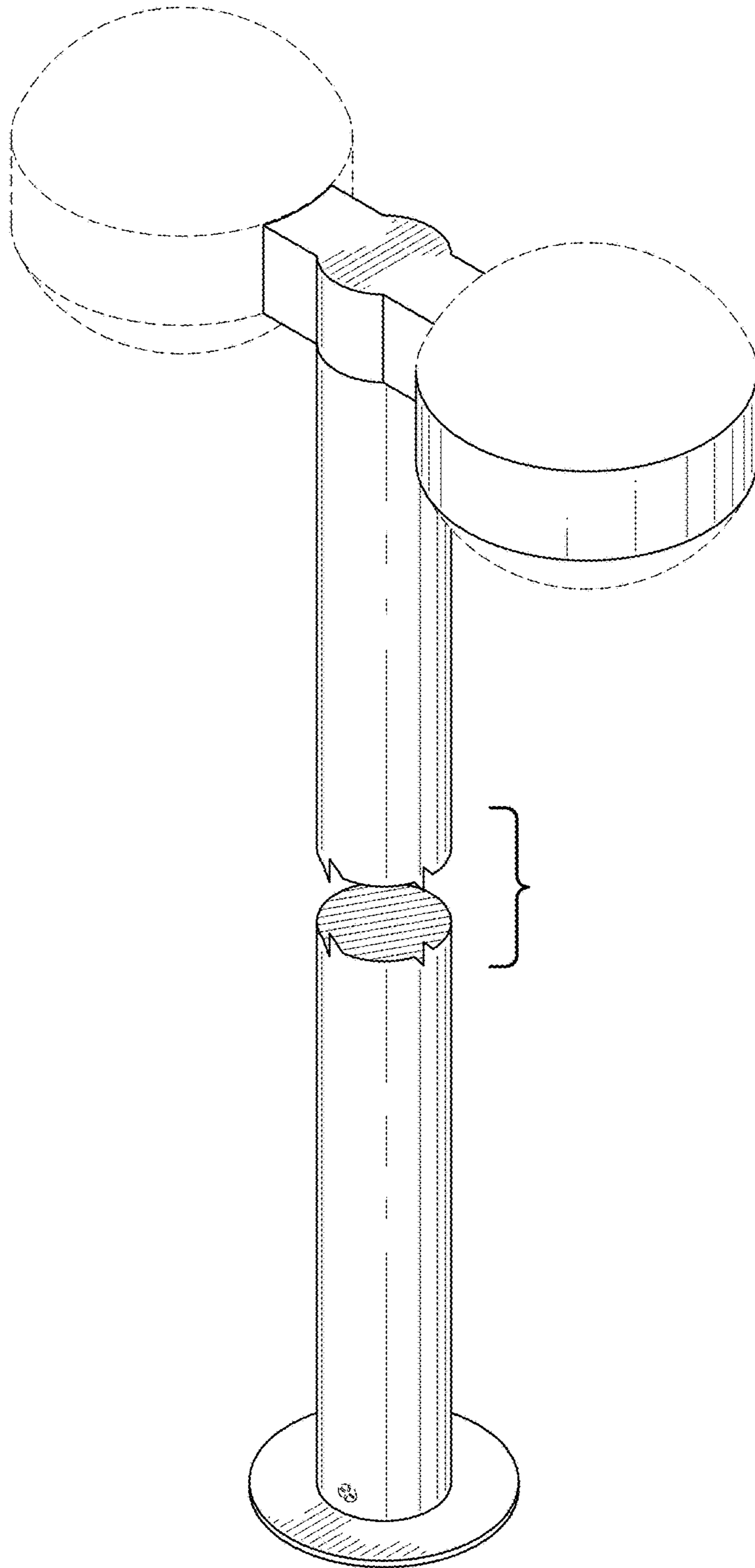


FIG. 1

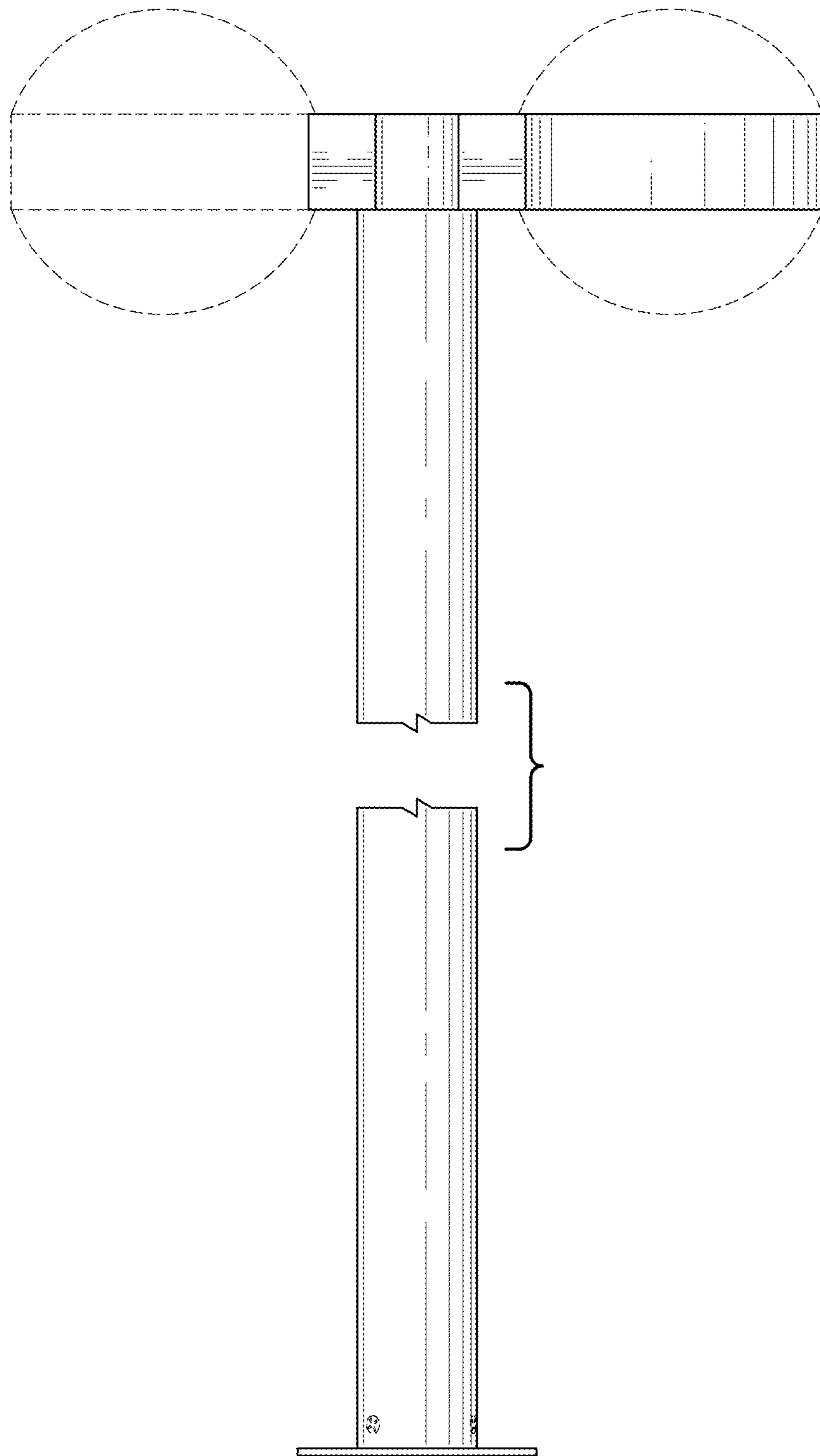


FIG. 2

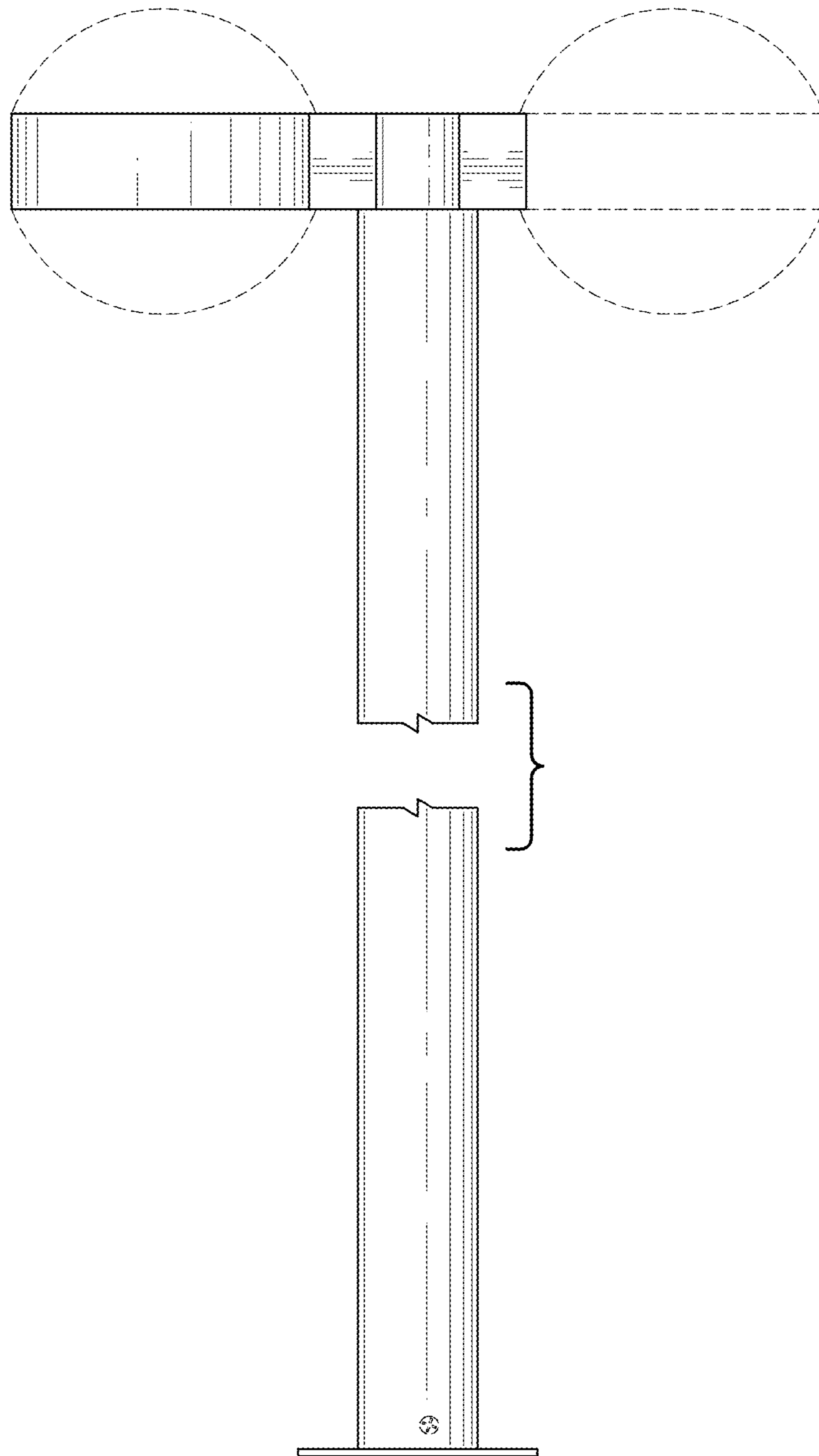


FIG. 3

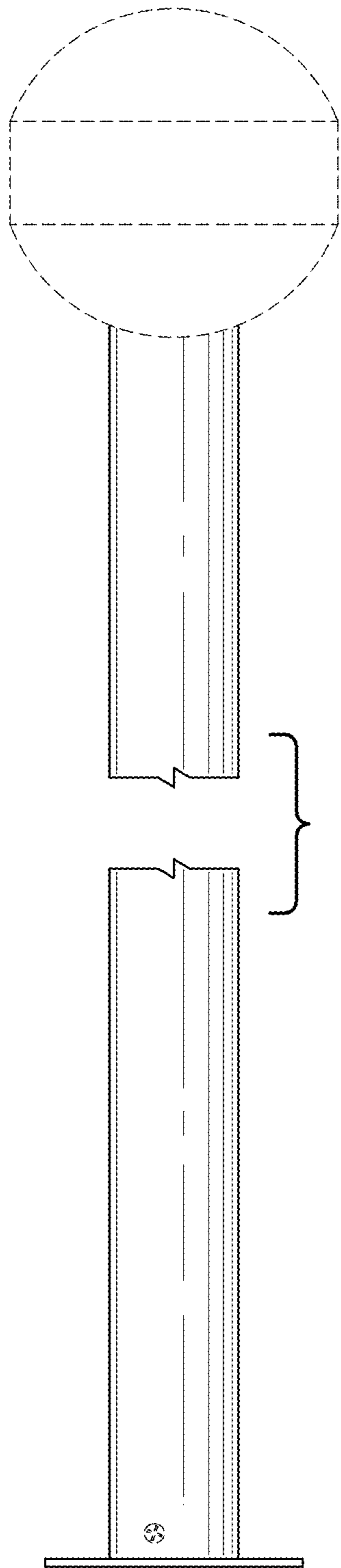


FIG. 4

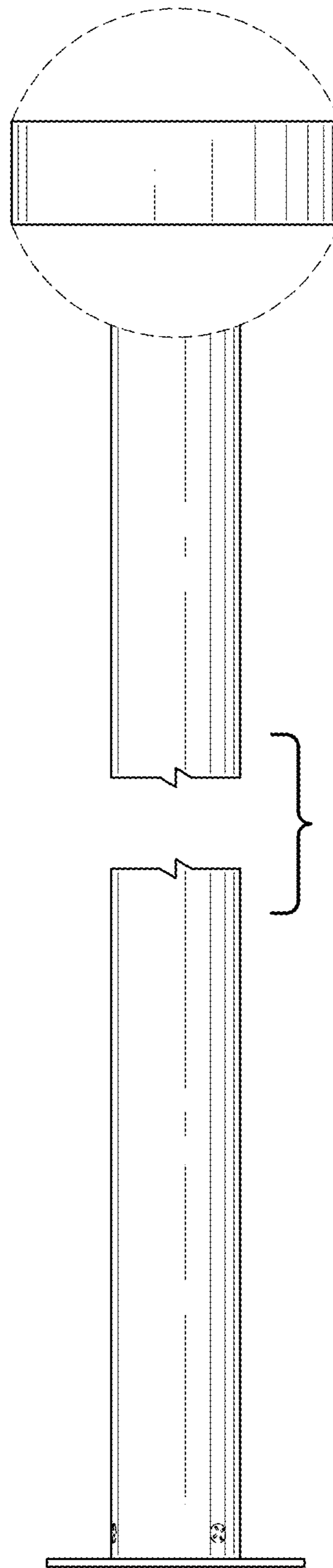


FIG. 5

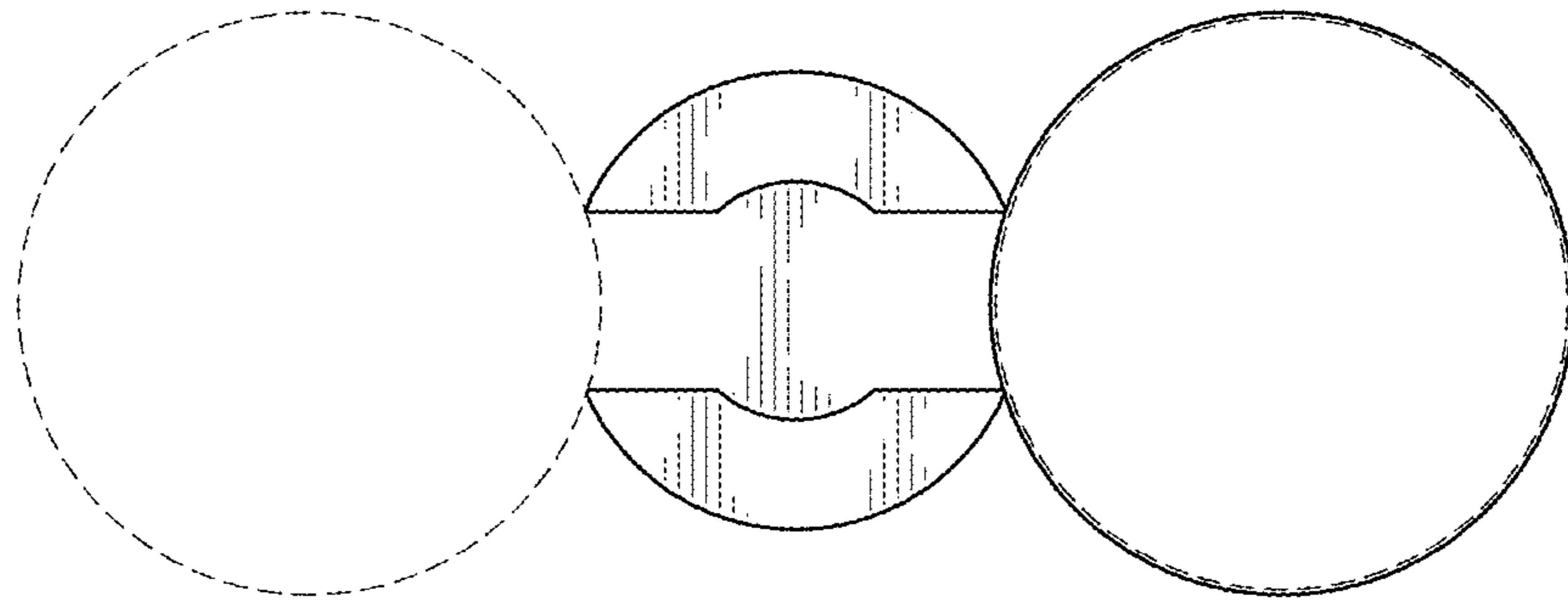


FIG. 6

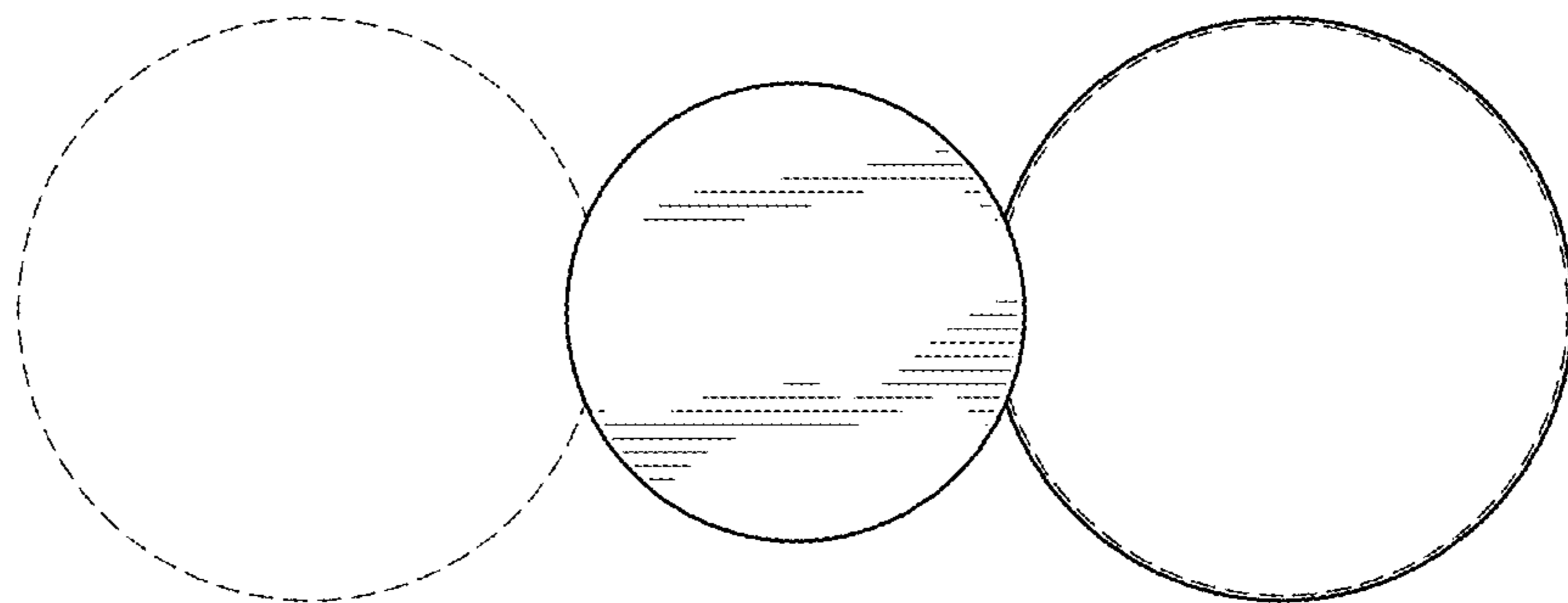


FIG. 7