



US00D802813S

(12) **United States Design Patent**
Li et al.

(10) **Patent No.:** **US D802,813 S**

(45) **Date of Patent:** **** Nov. 14, 2017**

(54) **SOLAR LIGHT KIT**

(71) Applicant: **Hangzhou China Arts Industrial Corp., Ltd**, Hangzhou, Zhejiang (CN)

(72) Inventors: **Ren Li**, Hangzhou (CN); **Chenfei Ye**, Hangzhou (CN)

(73) Assignee: **HANGZHOU CHINA ARTS INDUSTRIAL CORP., LTD**, Hangzhou (CN)

(**) Term: **14 Years**

(21) Appl. No.: **29/456,741**

(22) Filed: **Jun. 3, 2013**

(30) **Foreign Application Priority Data**

Jan. 16, 2013 (CN) 2013 3 0011822

(51) **LOC (10) Cl.** **26-02**

(52) **U.S. Cl.**
USPC **D26/51**

(58) **Field of Classification Search**
USPC D26/37, 38, 39, 40, 43, 46, 51, 49;
362/193, 124, 109-114, 190, 191, 157,
362/158, 183, 184, 200-208, 194-196,
362/253; D21/713; D14/434; D13/102,
D13/107-110, 118
CPC F21V 33/00; F21V 14/025; F21V 21/406;
F21Y 2101/02; F21L 17/00; F21L 13/08
See application file for complete search history.

(56) **References Cited**

U.S. PATENT DOCUMENTS

D302,321 S * 7/1989 Charet D26/29
D485,925 S * 1/2004 Oas D26/38
D496,480 S * 9/2004 Slattery D26/38
D555,820 S * 11/2007 Lam D26/38

(Continued)

Primary Examiner — Ian Simmons

Assistant Examiner — Carissa C Fitts

(74) *Attorney, Agent, or Firm* — Mei & Mark LLP

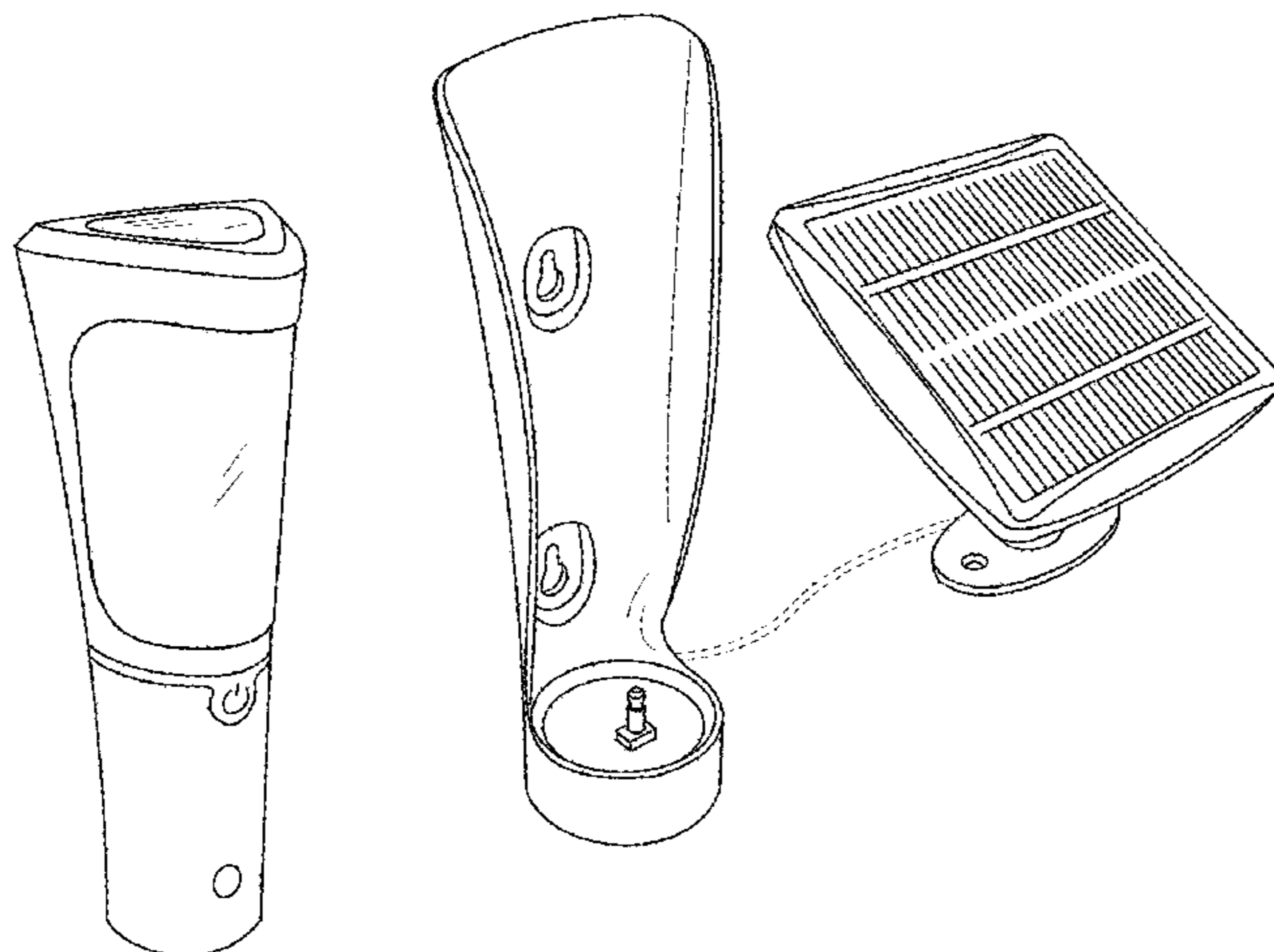
(57) **CLAIM**

We claim the ornamental design for a solar light kit, as shown and described.

DESCRIPTION

FIG. 1 is a front side view of the solar light kit showing a removable light, a charger, and a solar panel, with the light removed from the charger;
FIG. 2 is a perspective view thereof;
FIG. 3 is a front side view of the light;
FIG. 4 is a rear side view of the light;
FIG. 5 is a right side view of the light;
FIG. 6 is a left side view of the light;
FIG. 7 is a bottom view of the light;
FIG. 8 is a top view of the light;
FIG. 9 is a front side view of the charger;
FIG. 10 is a rear side view of the charger;
FIG. 11 is a right side view of the charger;
FIG. 12 is a left side view of the charger;
FIG. 13 is a top view of the charger;
FIG. 14 is a bottom view of the charger;
FIG. 15 is a front side view of the solar panel;
FIG. 16 is a rear side view of the solar panel;
FIG. 17 is a right side view of the solar panel;
FIG. 18 is a left side view of the solar panel;
FIG. 19 is a top view of the solar panel; and,
FIG. 20 is a bottom view of the solar panel.
In FIGS. 9, 10, 12-17, and 20, break lines have been applied to cord detail for ease of illustration.
The broken line represents unclaimed portions of the article and forms no part of the claimed design.
While all components of the kit are shown together in FIGS. 1 and 2, the individual components of the kit are shown separately in FIGS. 3-20 so that aspects of the components may be appreciated unobstructed by other components of the kit.

1 Claim, 20 Drawing Sheets



(56)

References Cited

U.S. PATENT DOCUMENTS

D557,435 S	*	12/2007	Hon	D26/63
D574,988 S	*	8/2008	Cheng	D26/63
D581,566 S	*	11/2008	Slawson	D24/135
D602,615 S	*	10/2009	Liu	D13/108
D621,346 S	*	8/2010	Navid	D13/108
D623,322 S	*	9/2010	Wallach	D13/108
D642,301 S	*	7/2011	Rothman	D26/26
D656,259 S	*	3/2012	Ku	D26/37
D675,770 S	*	2/2013	Chen	D26/113

* cited by examiner

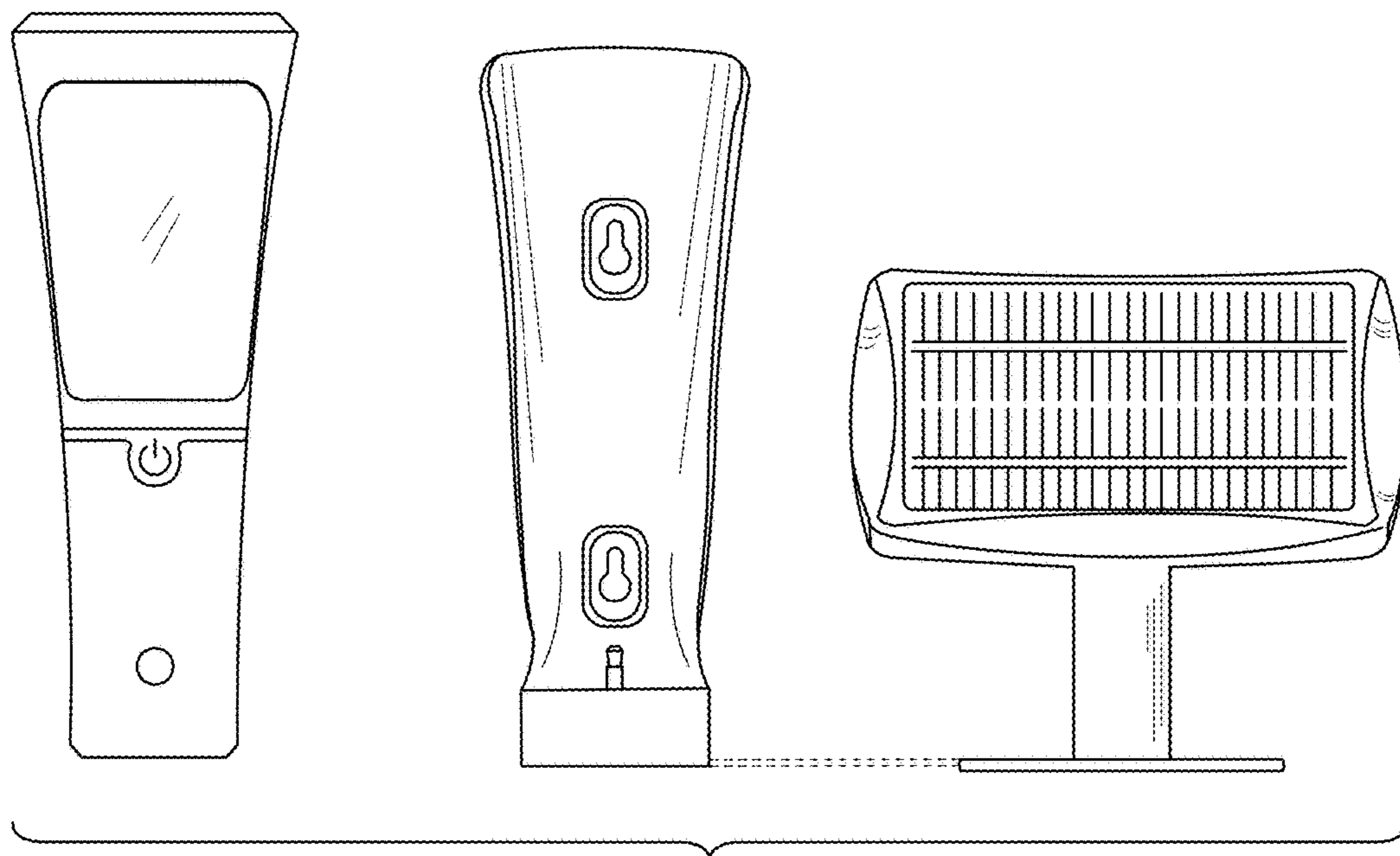
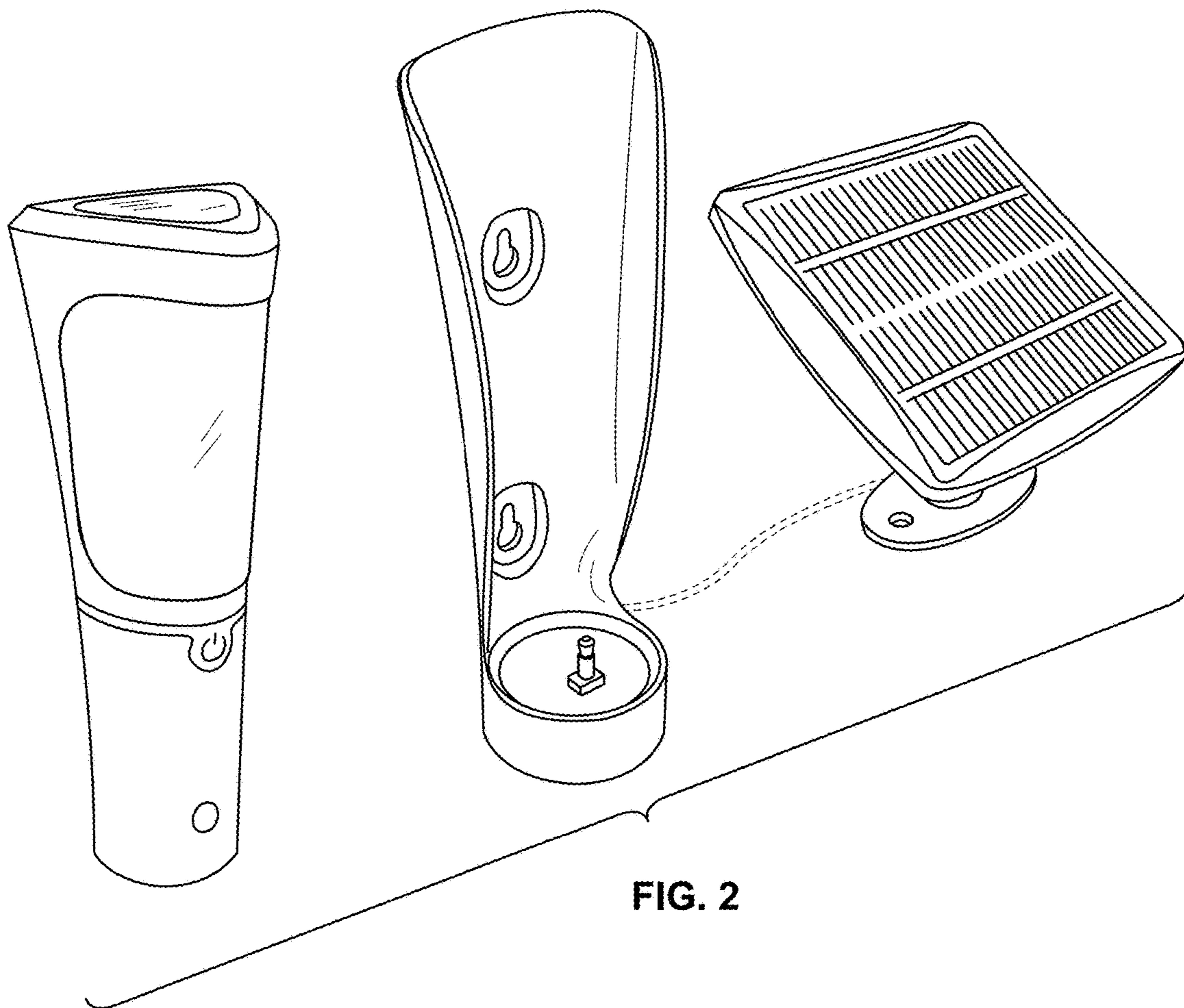


FIG. 1



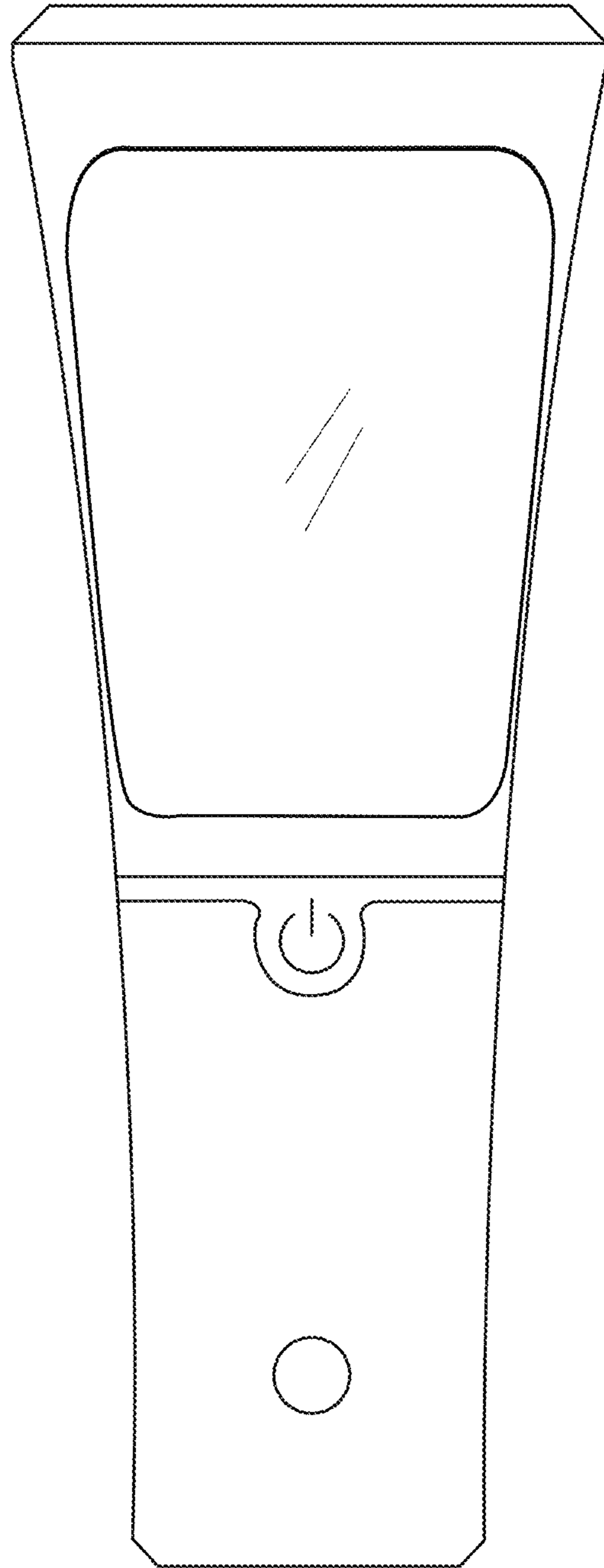


FIG. 3

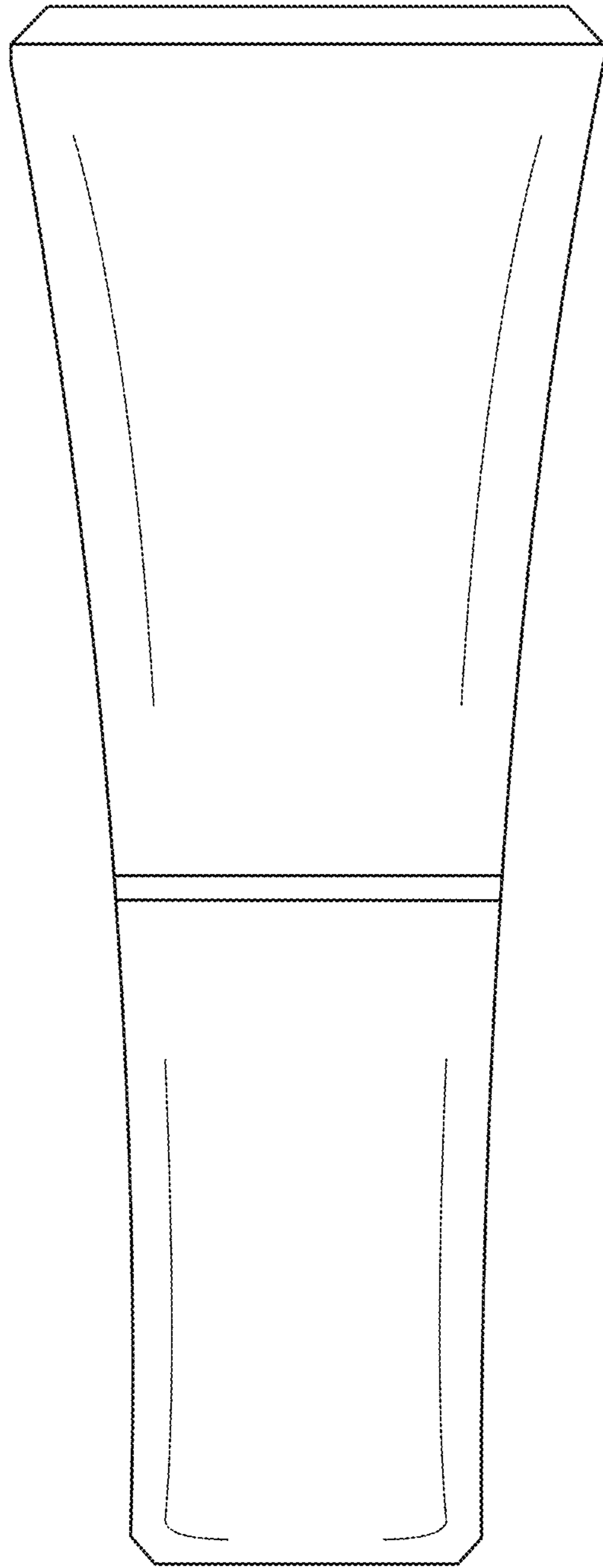


FIG. 4

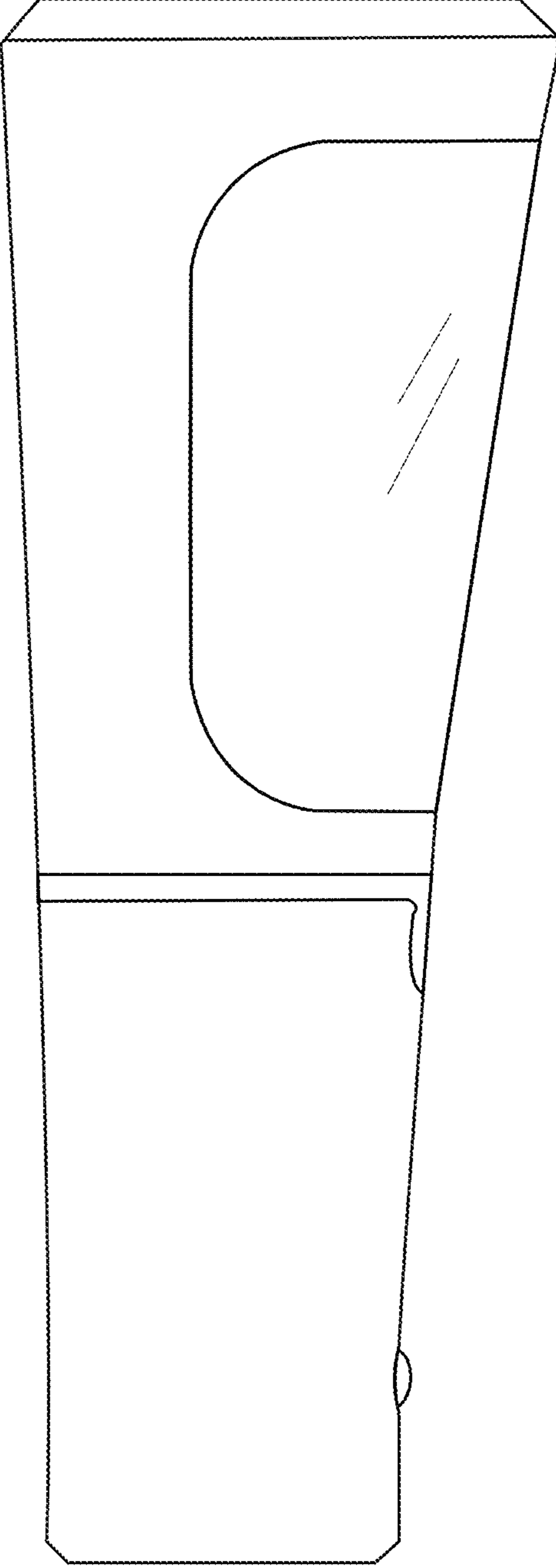


FIG. 5

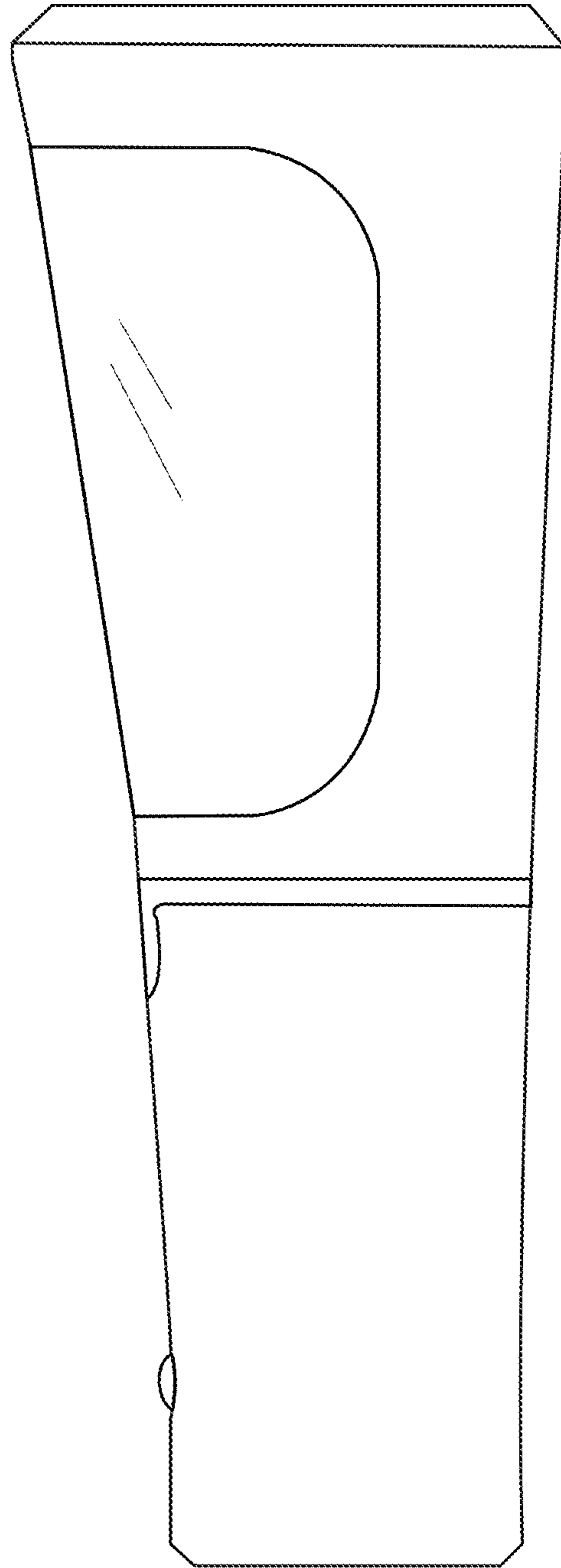


FIG. 6

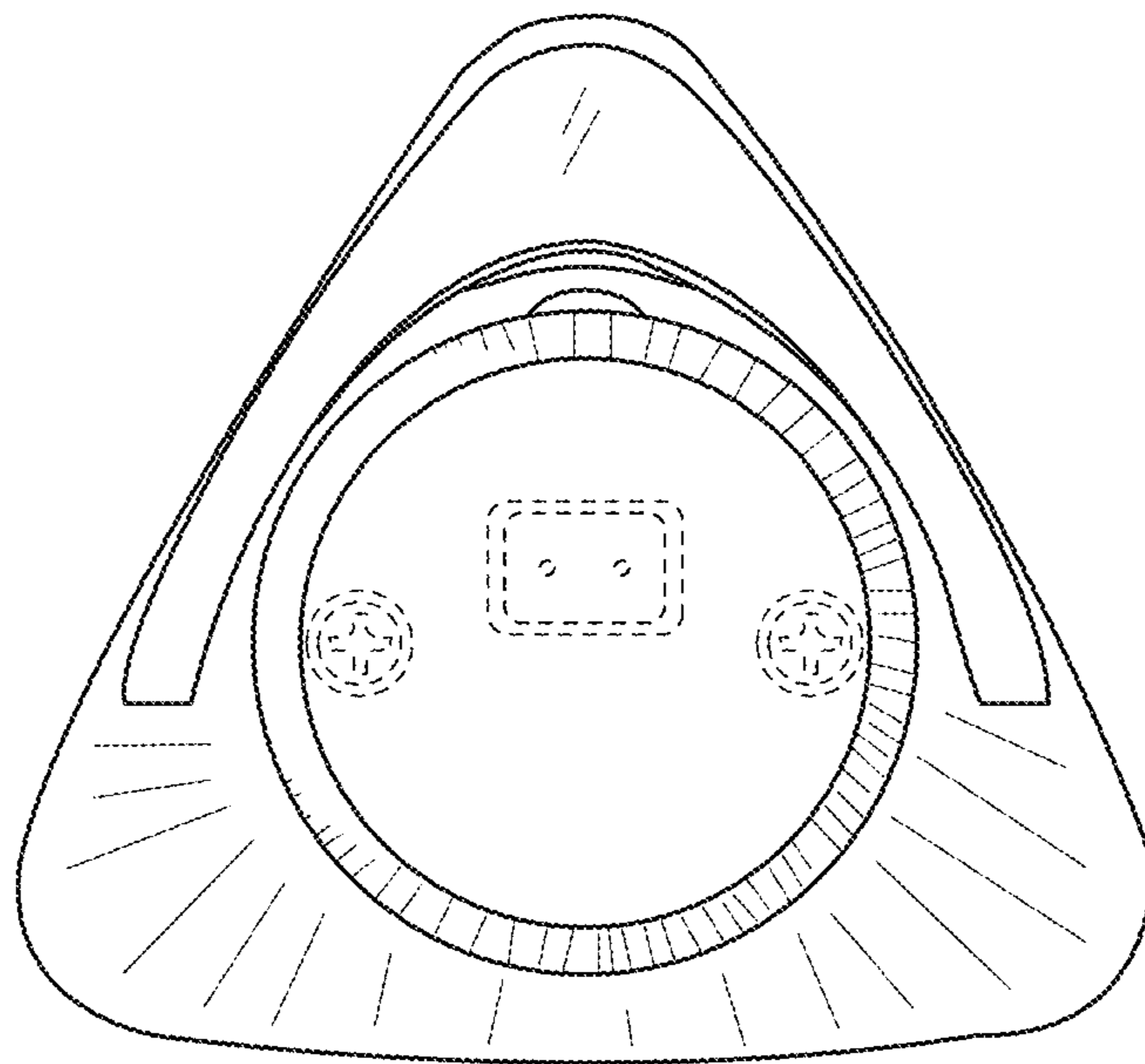


FIG. 7

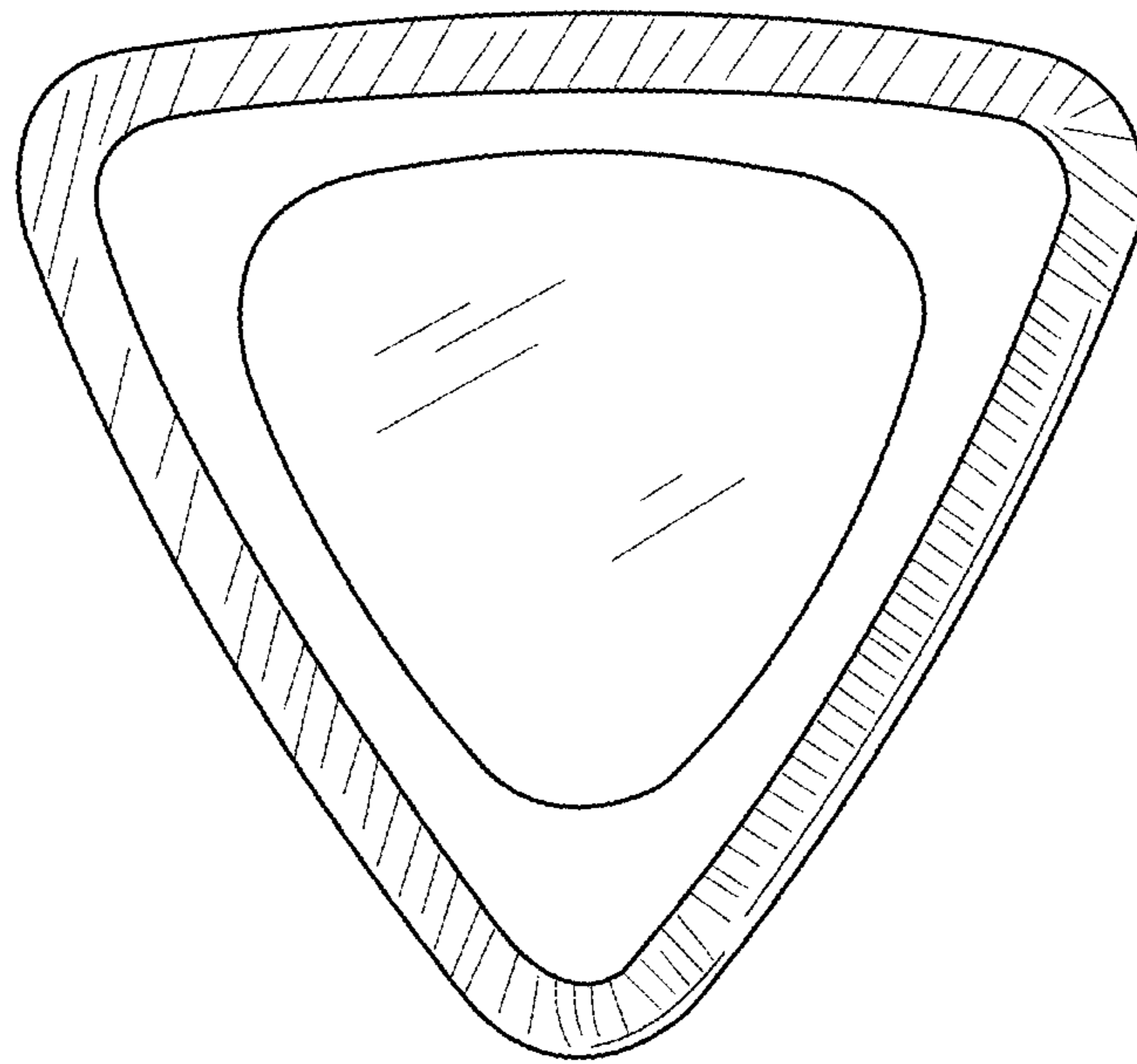


FIG. 8

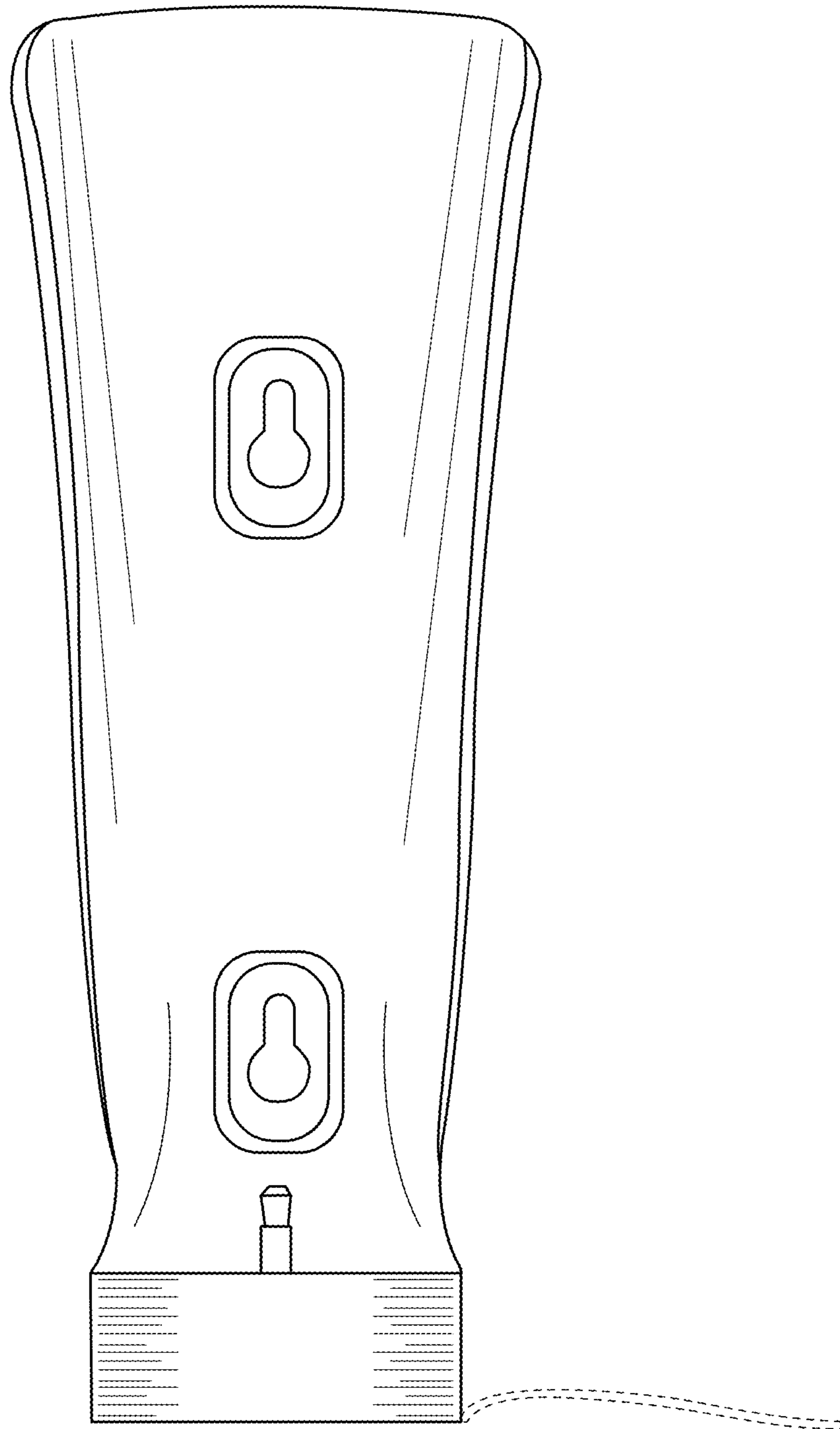


FIG. 9

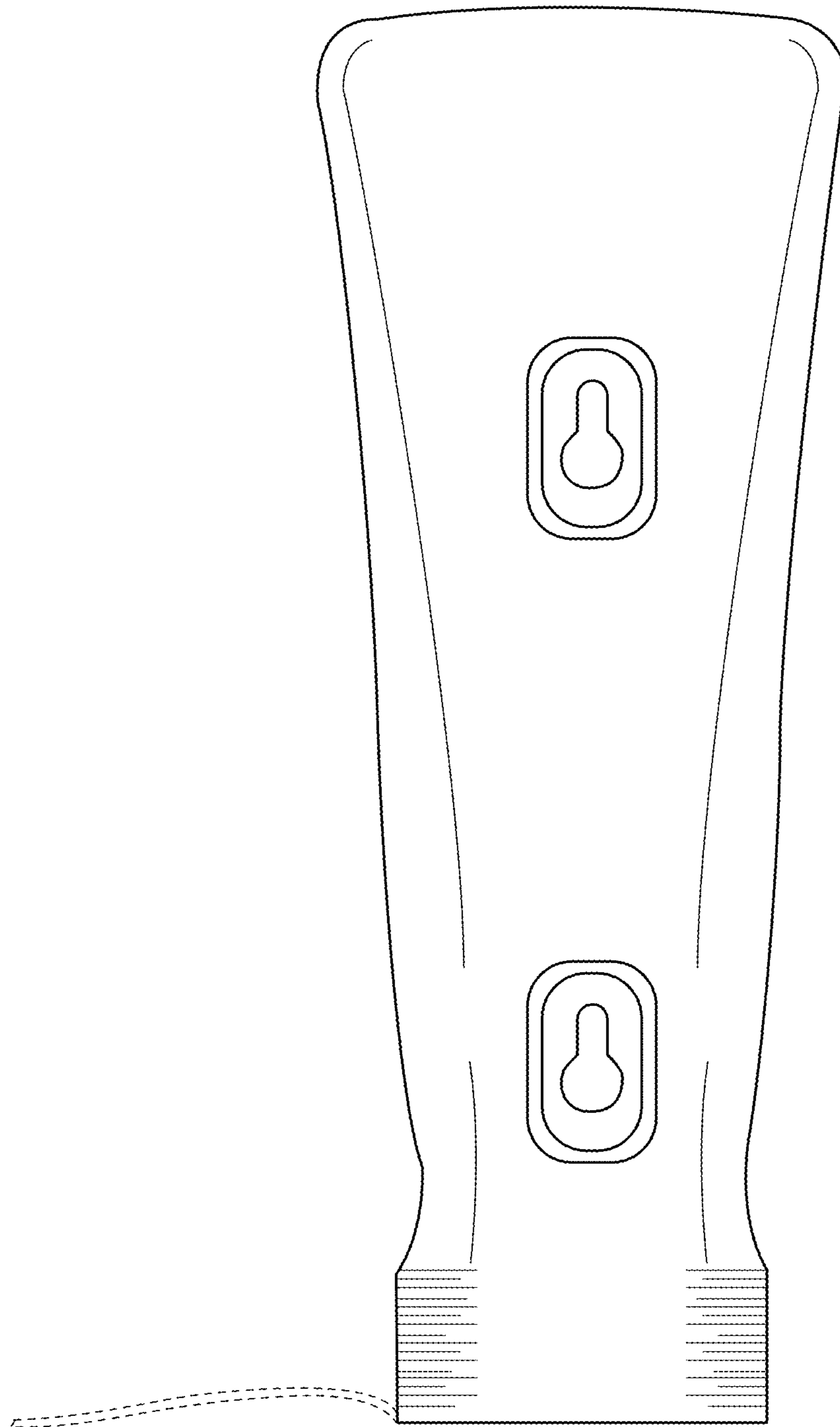


FIG. 10

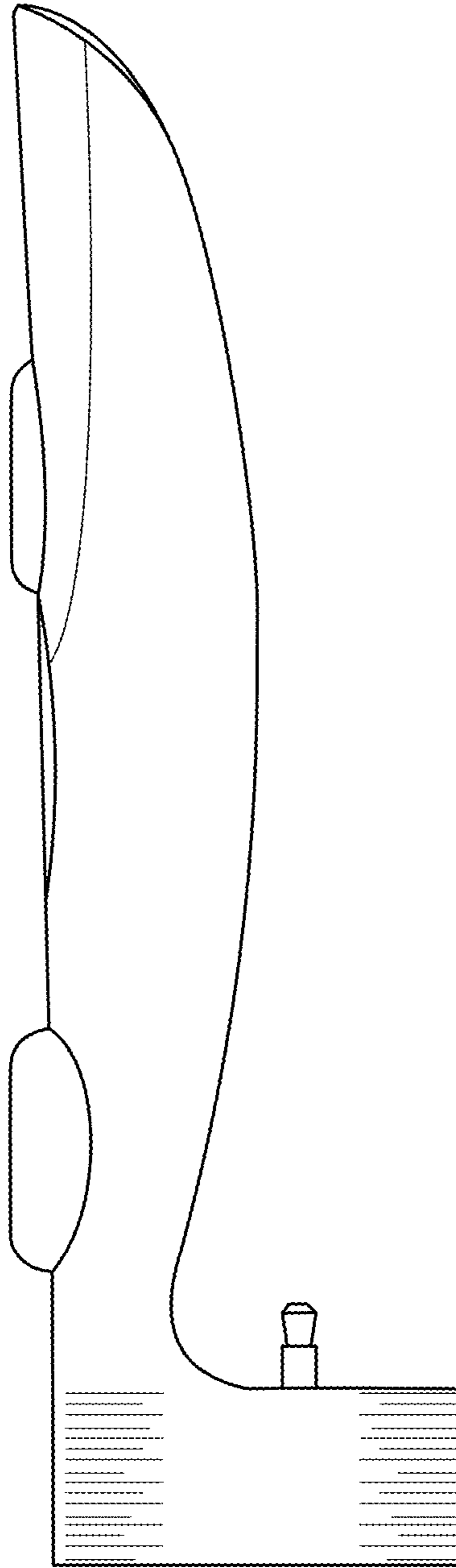


FIG. 11

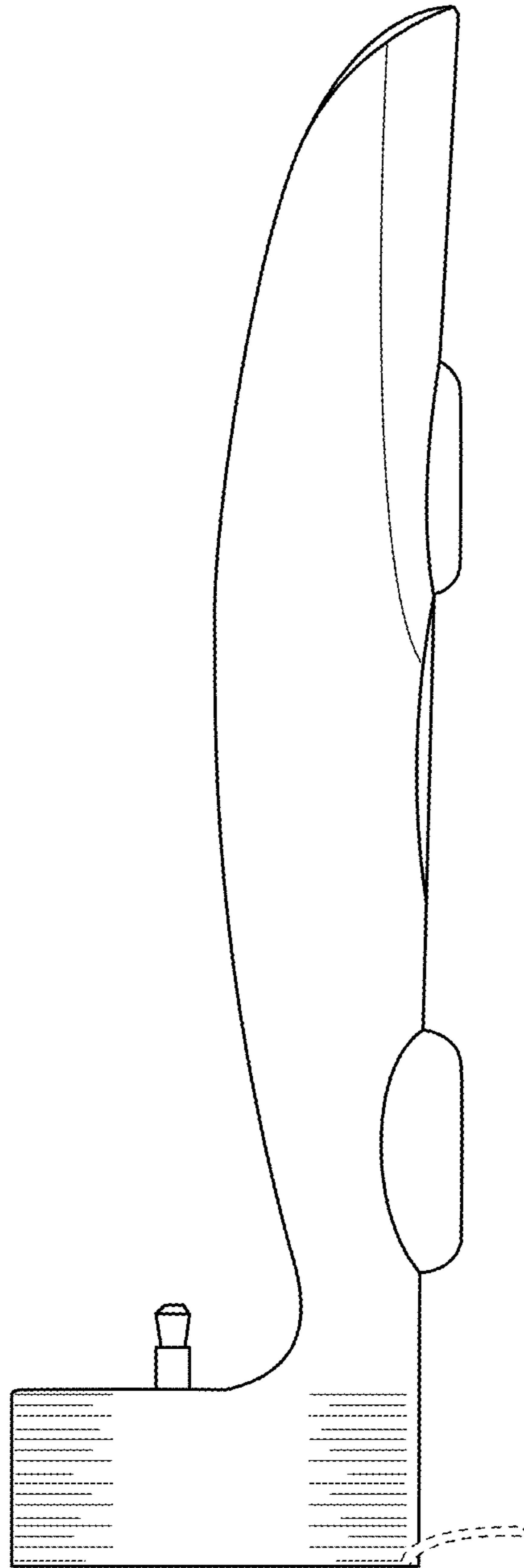


FIG. 12

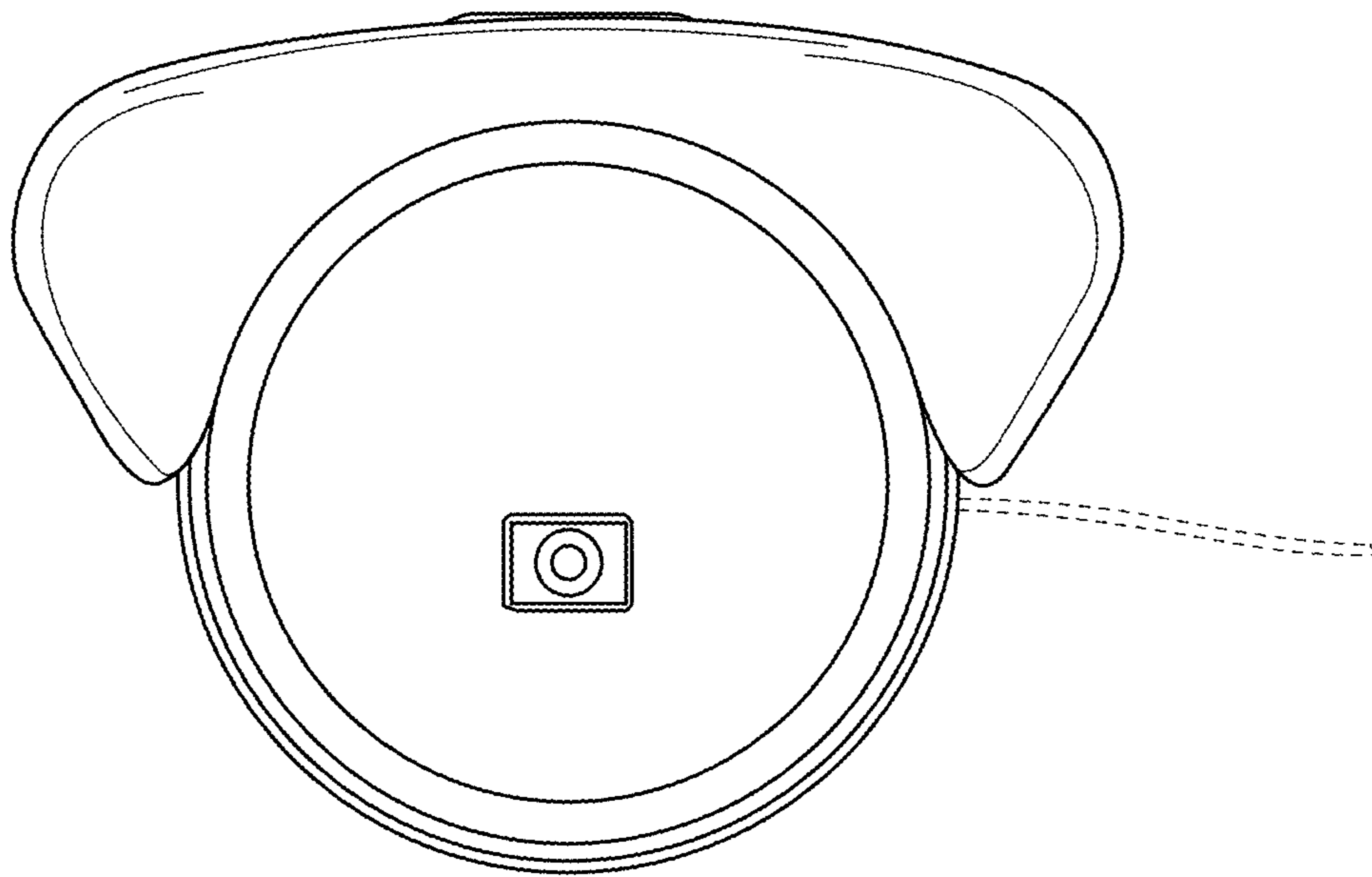


FIG. 13

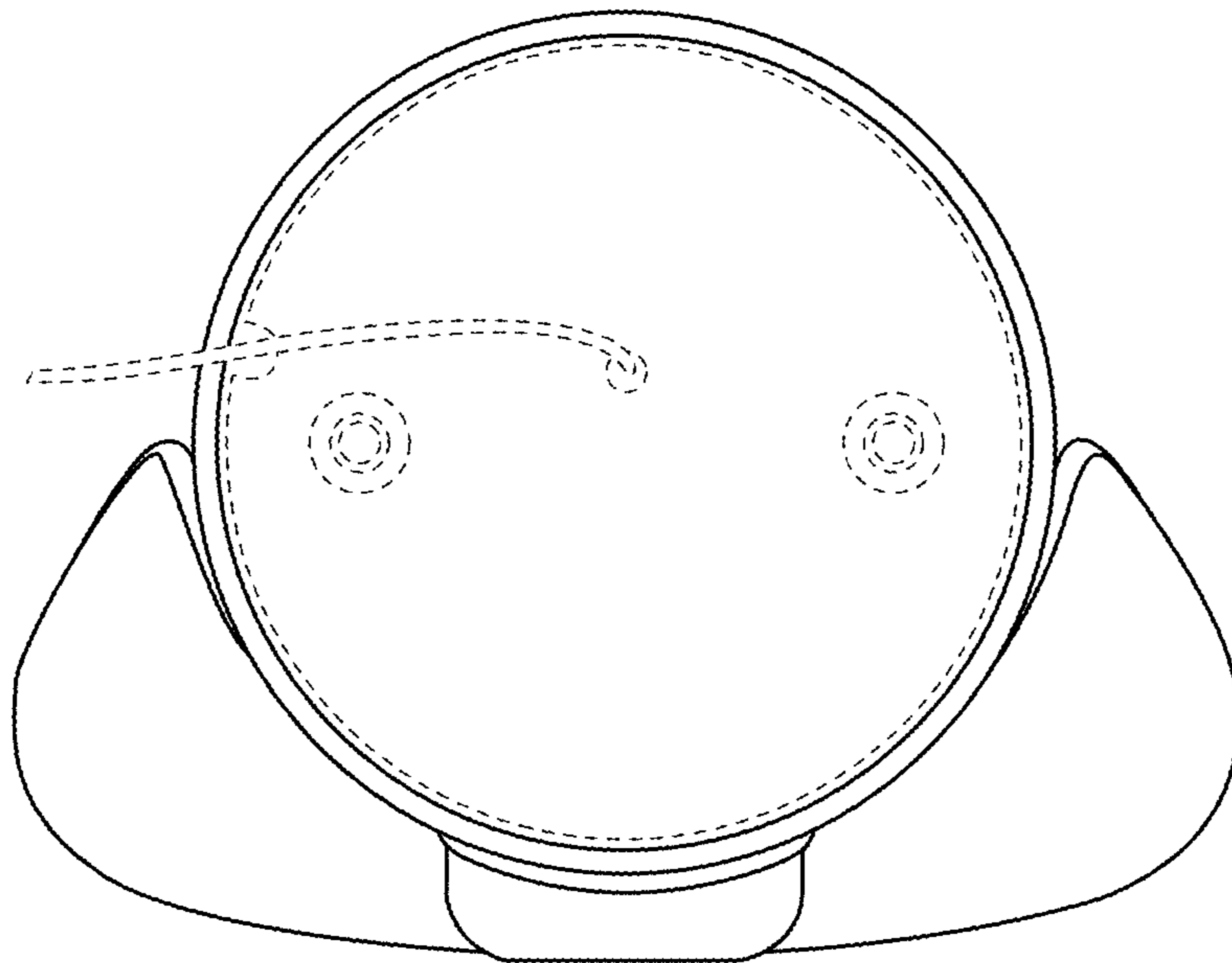


FIG. 14

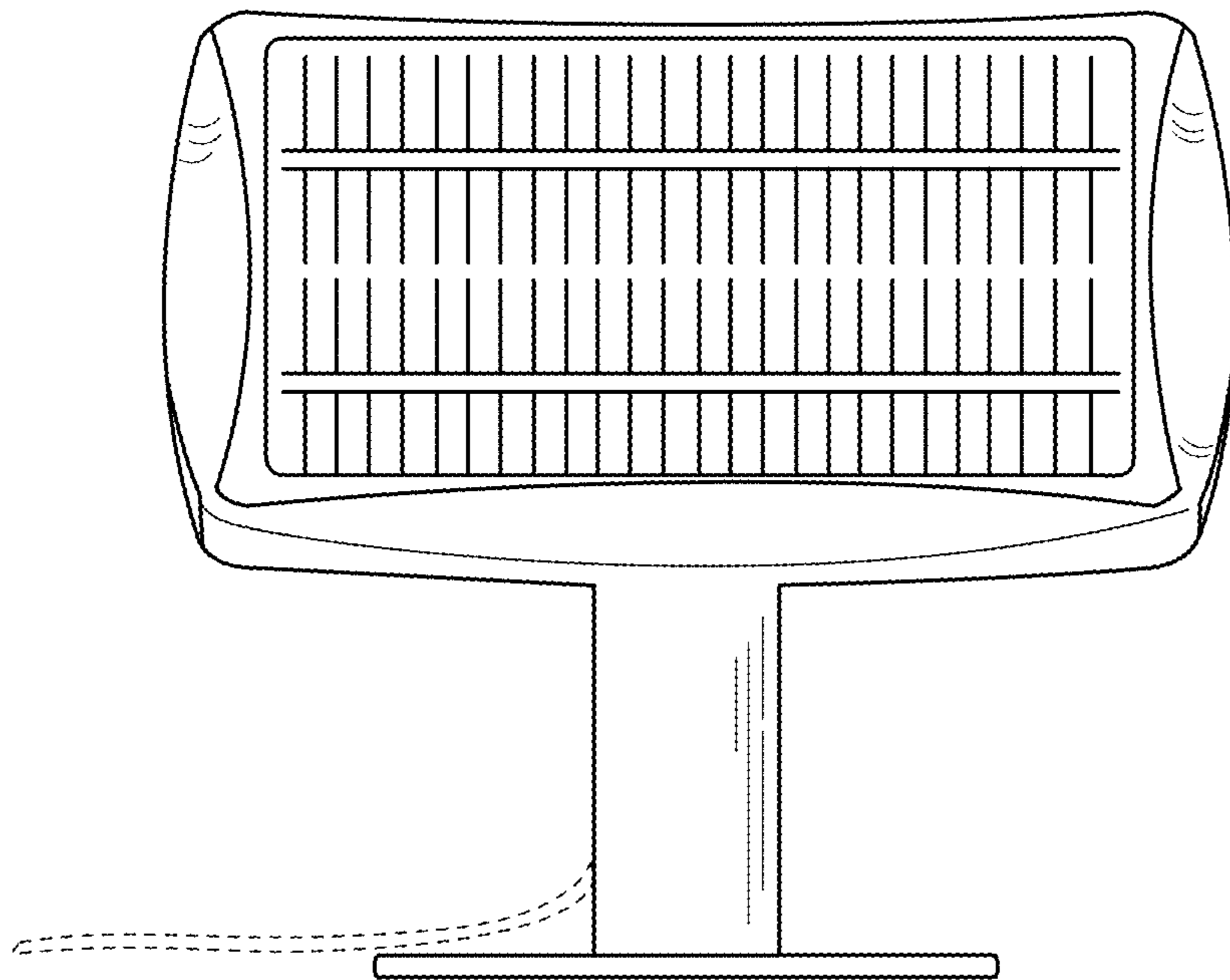


FIG. 15

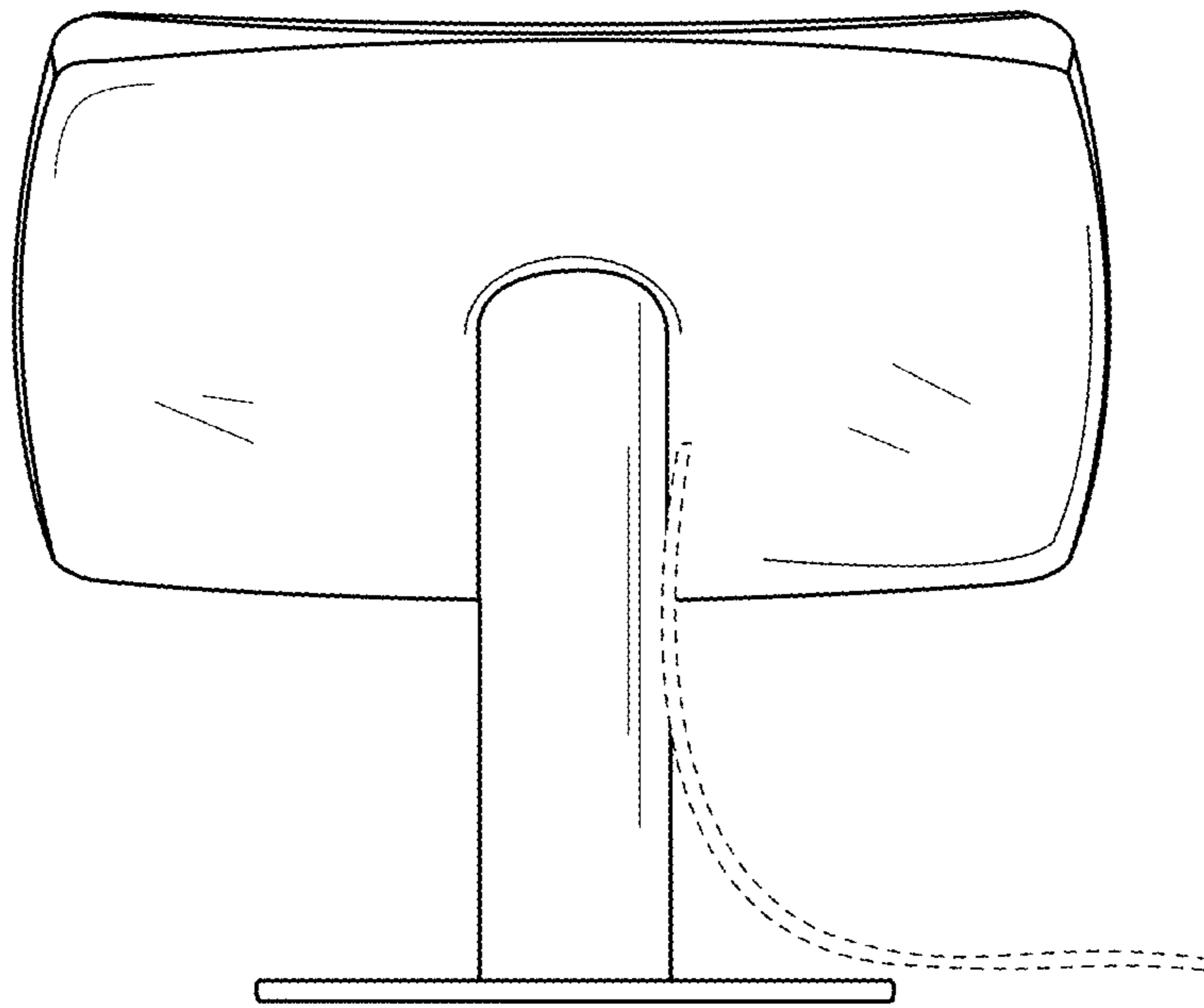


FIG. 16

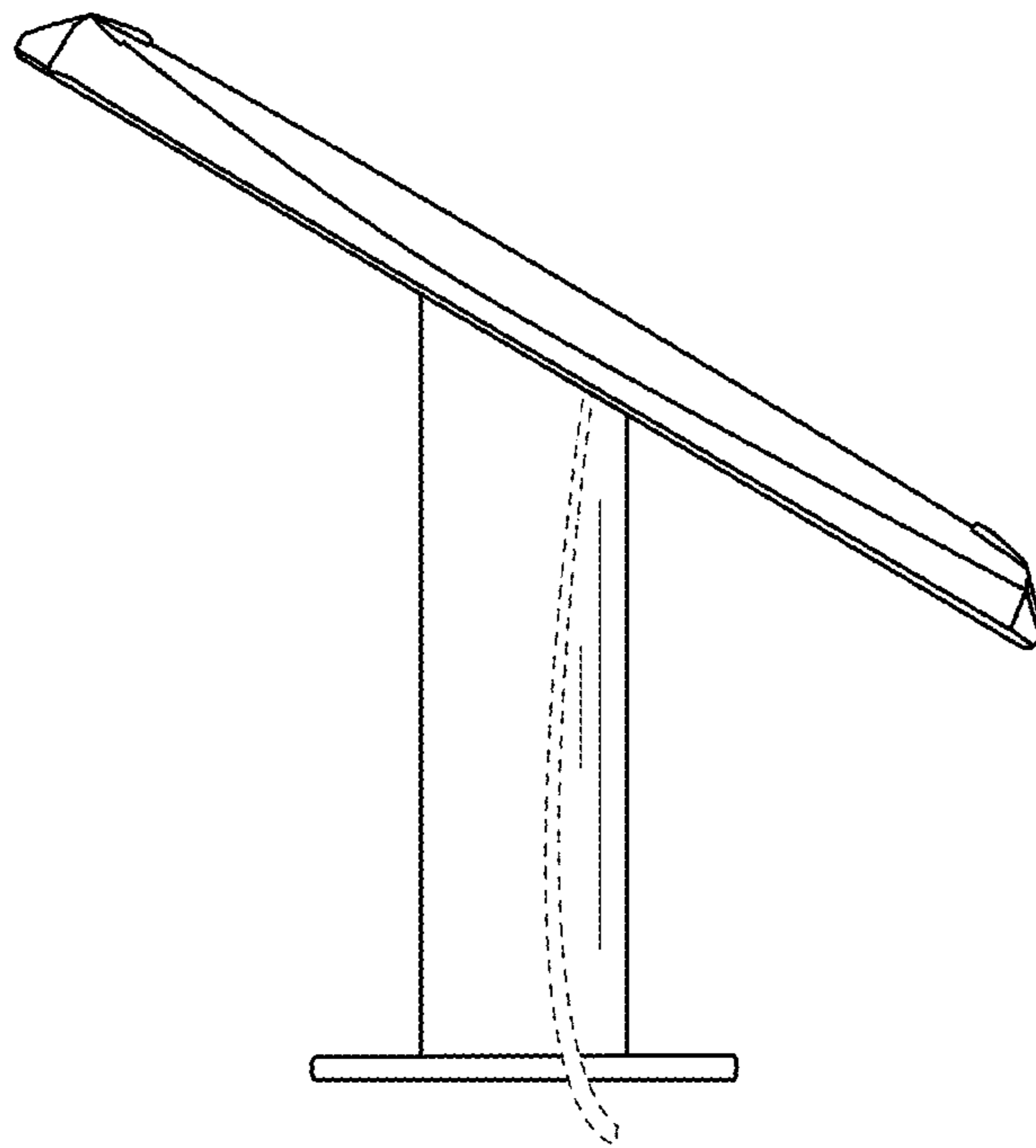


FIG. 17

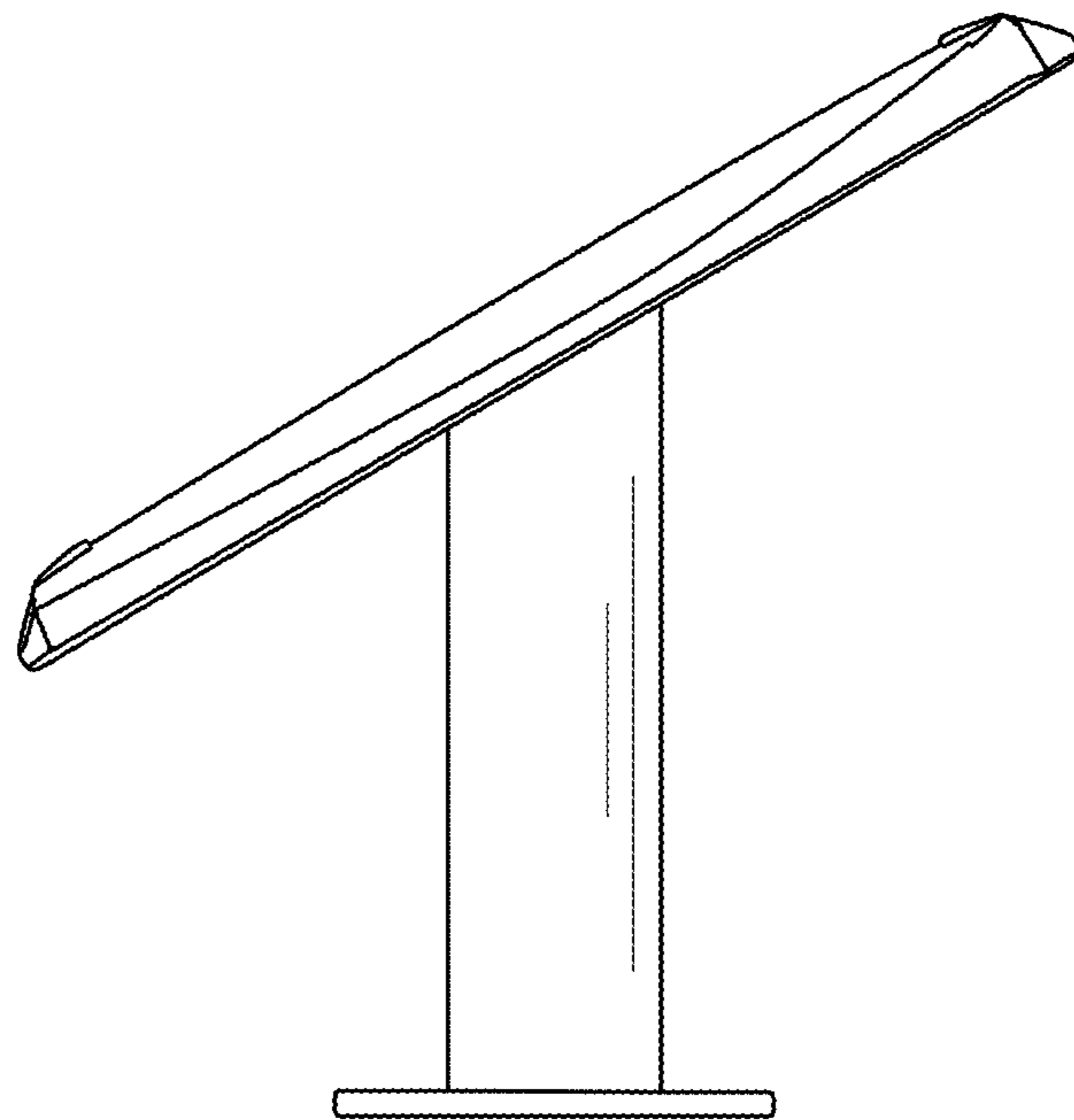


FIG. 18

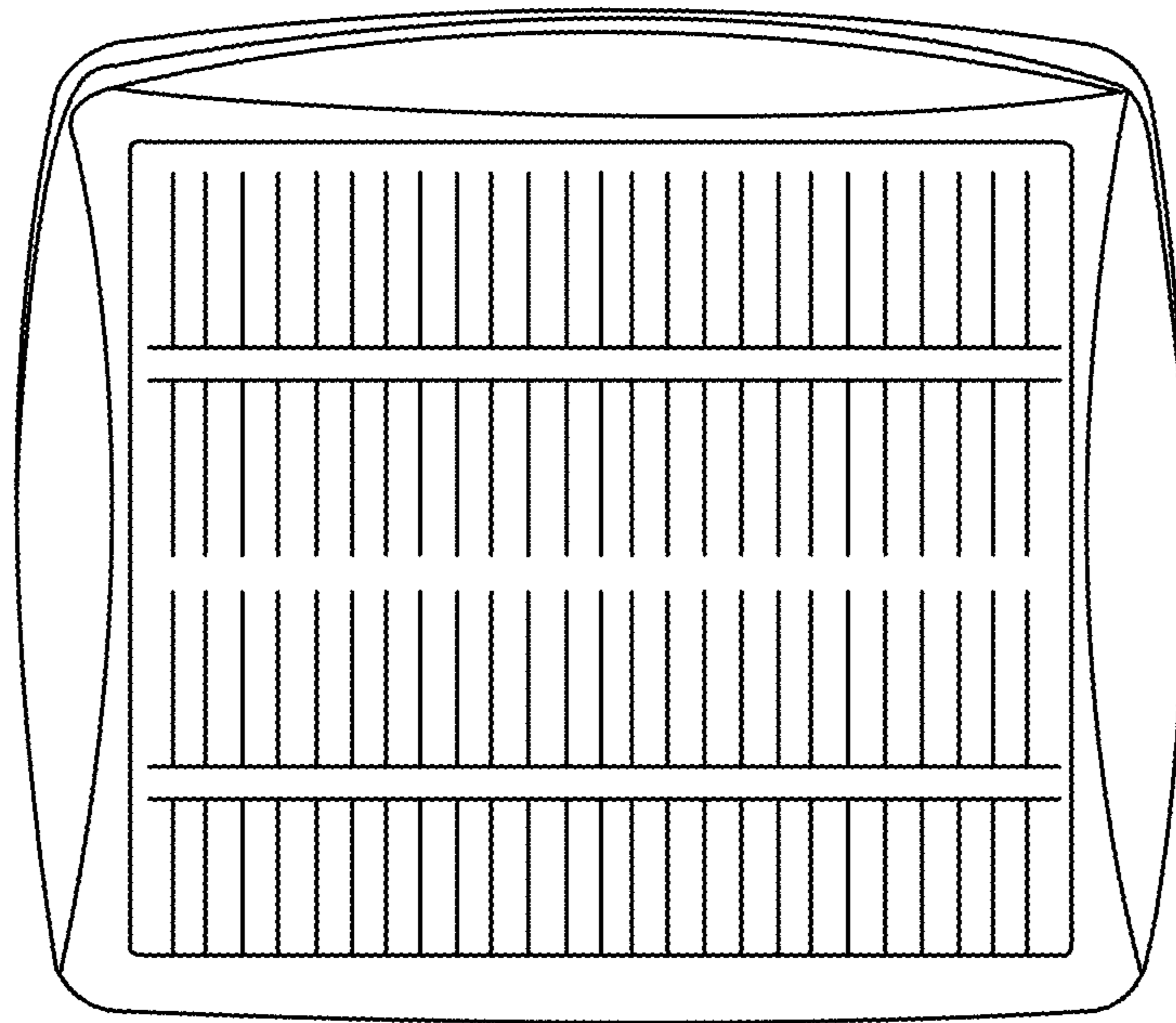


FIG. 19

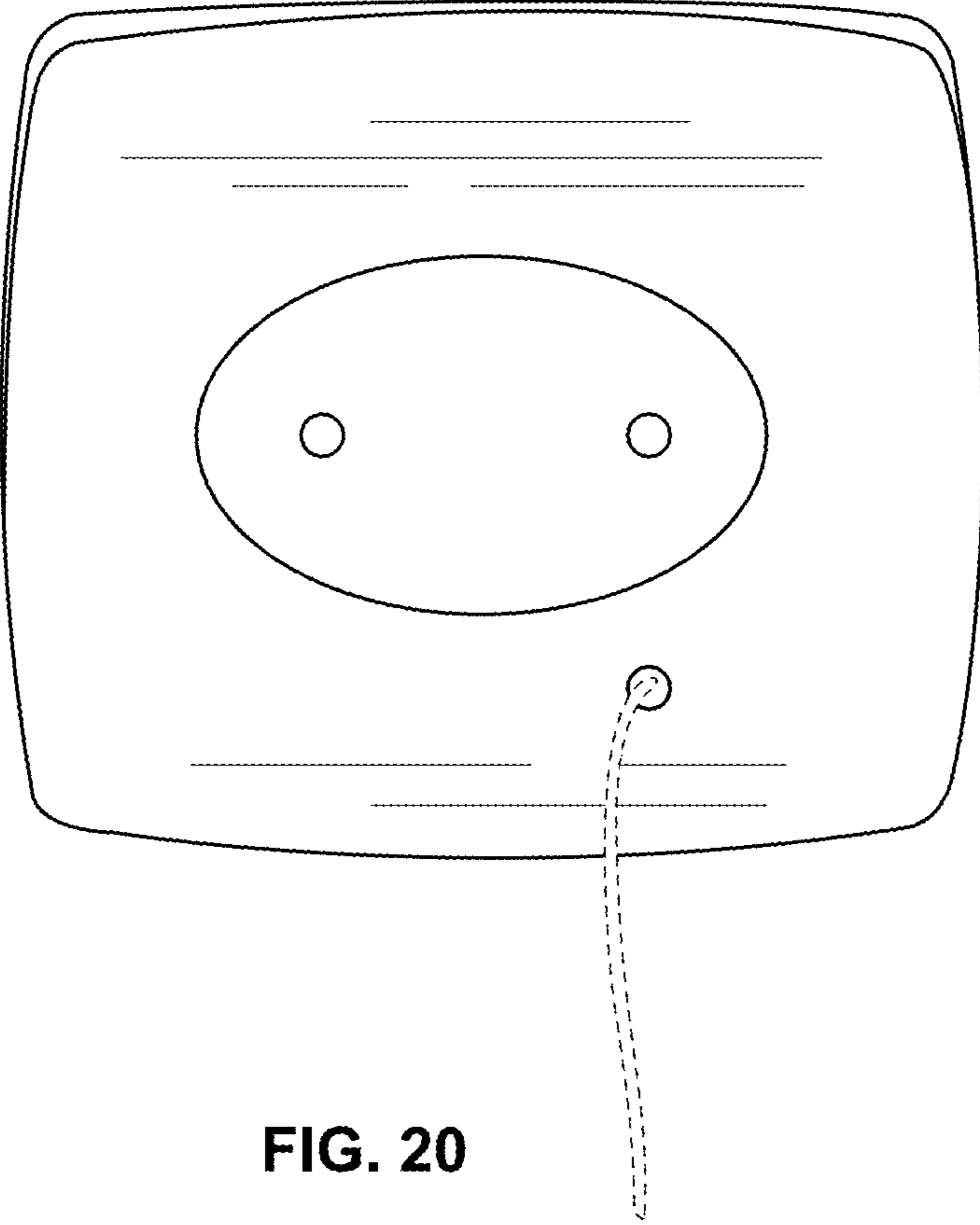


FIG. 20