



US00D802808S

(12) **United States Design Patent** (10) **Patent No.:** **US D802,808 S**  
**Haeussinger** (45) **Date of Patent:** **\*\* Nov. 14, 2017**

(54) **HEADLIGHT FOR A VEHICLE**  
(71) Applicant: **AUDI AG**, Ingolstadt (DE)  
(72) Inventor: **Christoph Haeussinger**, Ingolstadt (DE)  
(73) Assignee: **AUDI AG**, Ingolstadt (DE)  
(\*\*) Term: **15 Years**

D706,471 S \* 6/2014 Lai ..... D26/28  
D707,860 S \* 6/2014 Futschik ..... D26/28  
D708,375 S \* 7/2014 Endo ..... D26/28  
D709,223 S \* 7/2014 Lai ..... D26/28  
D710,522 S \* 8/2014 Kwon ..... D26/28  
D715,978 S \* 10/2014 Loeb ..... D26/28  
D718,893 S \* 12/2014 Lai ..... D26/28  
D721,840 S \* 1/2015 Futschik ..... D26/28  
D728,134 S \* 4/2015 Bieling ..... D26/28

\* cited by examiner

(21) Appl. No.: **29/535,738**  
(22) Filed: **Aug. 10, 2015**

*Primary Examiner* — Marcus Jackson  
(74) *Attorney, Agent, or Firm* — Lucas & Mercanti, LLP;  
Klaus P. Stoffel

(30) **Foreign Application Priority Data**

Feb. 10, 2015 (EM) ..... 002 630 475-0002

(51) **LOC (10) Cl.** ..... **26-06**  
(52) **U.S. Cl.**  
USPC ..... **D26/28**

(58) **Field of Classification Search**  
USPC ..... D26/28-36; 362/459-468, 475-478,  
362/485-487  
CPC ..... F21S 48/00; F21S 48/10; F21S 48/115;  
F21S 48/225; F21S 48/1233; F21S  
48/1266; F21S 48/1388; F21S 48/2268;  
F21V 21/04  
See application file for complete search history.

(56) **References Cited**

**U.S. PATENT DOCUMENTS**

D671,248 S \* 11/2012 Fuchigami ..... D26/28  
D688,824 S \* 8/2013 Binder ..... D26/28

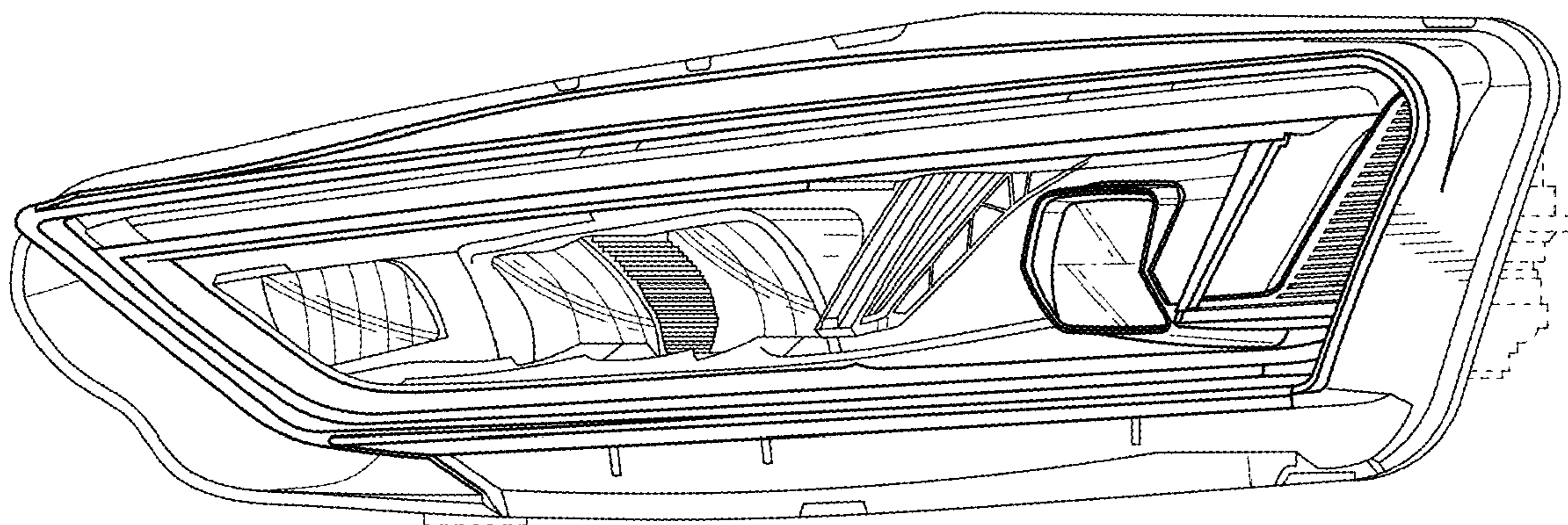
(57) **CLAIM**

The ornamental design for a headlight for a vehicle, as shown and described.

**DESCRIPTION**

FIG. 1 is a front, side perspective view of the headlight for a vehicle of the present invention;  
FIG. 2 is a front view thereof;  
FIG. 3 is a side view thereof;  
FIG. 4 is a top view thereof; and,  
FIG. 5 is a bottom view thereof.  
The features shown in broken lines form no part of the claimed design.

**1 Claim, 3 Drawing Sheets**



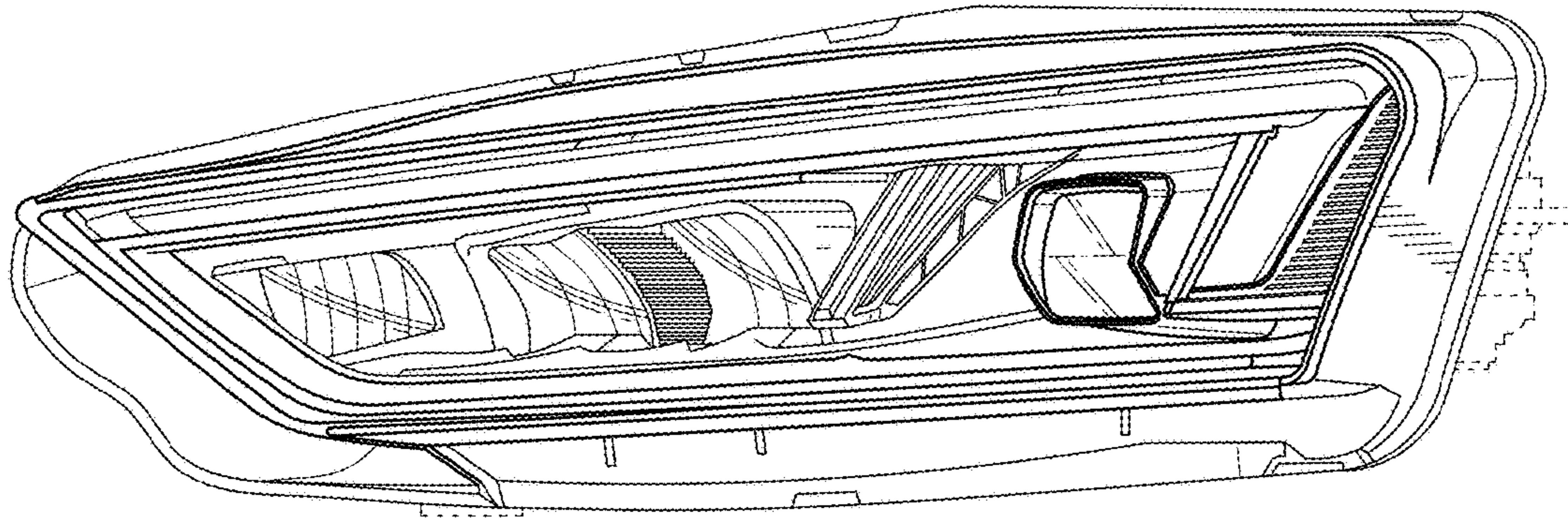


FIG. 1

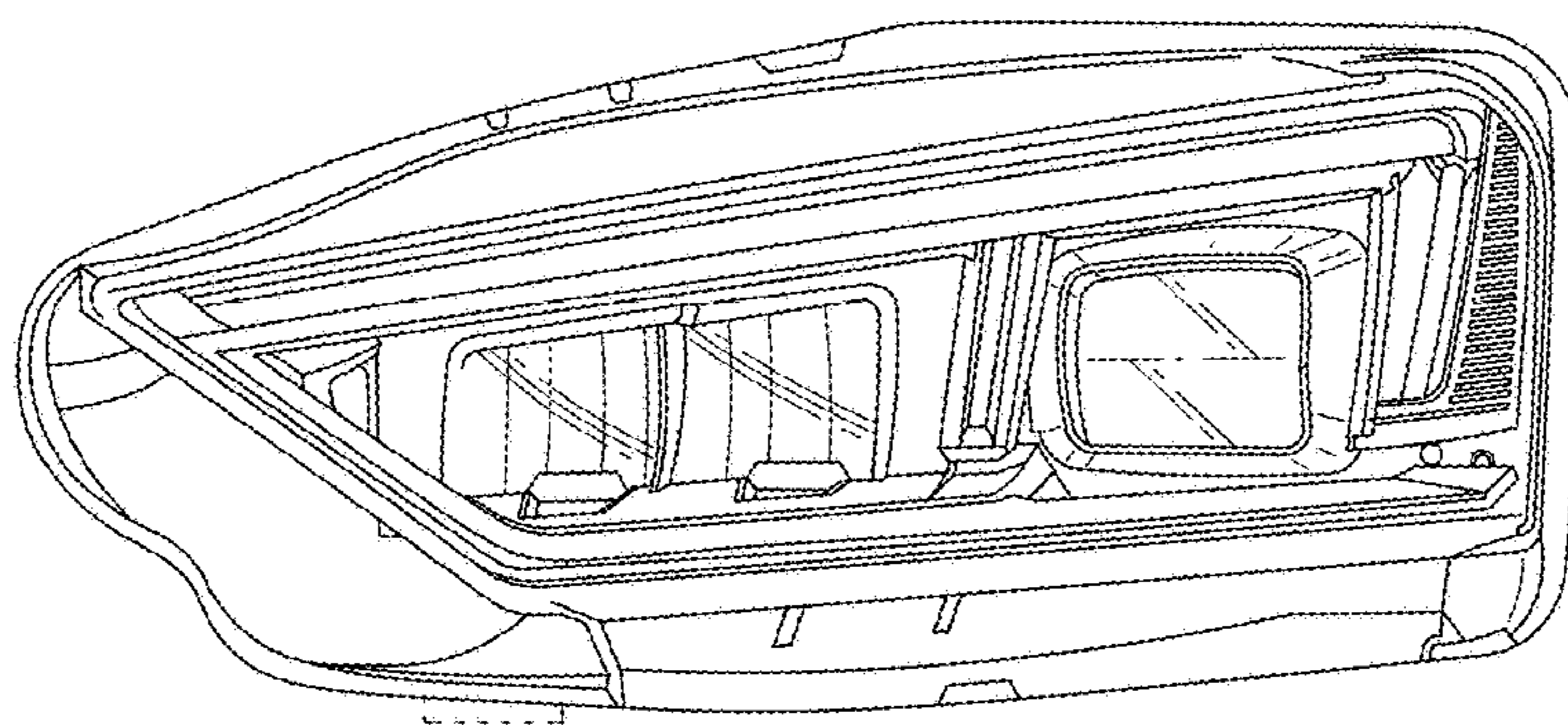


FIG. 2

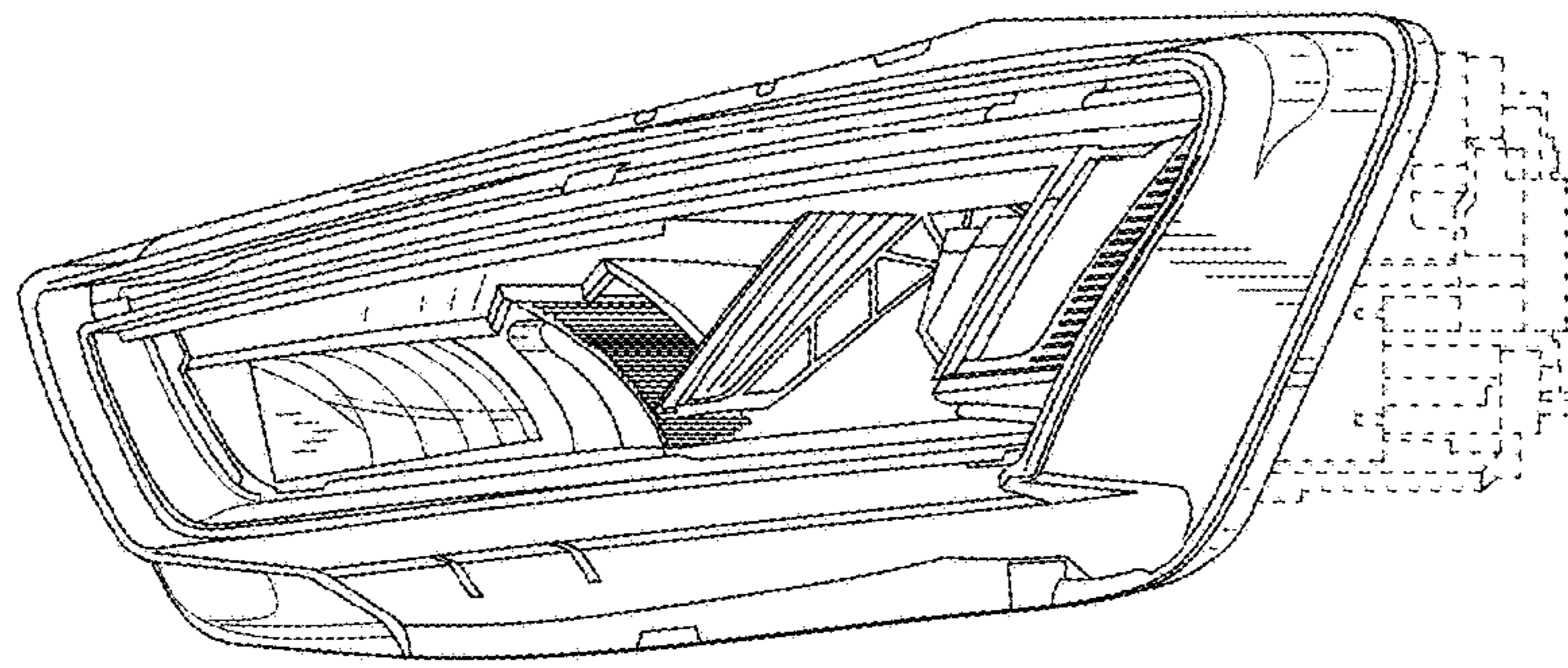


FIG. 3

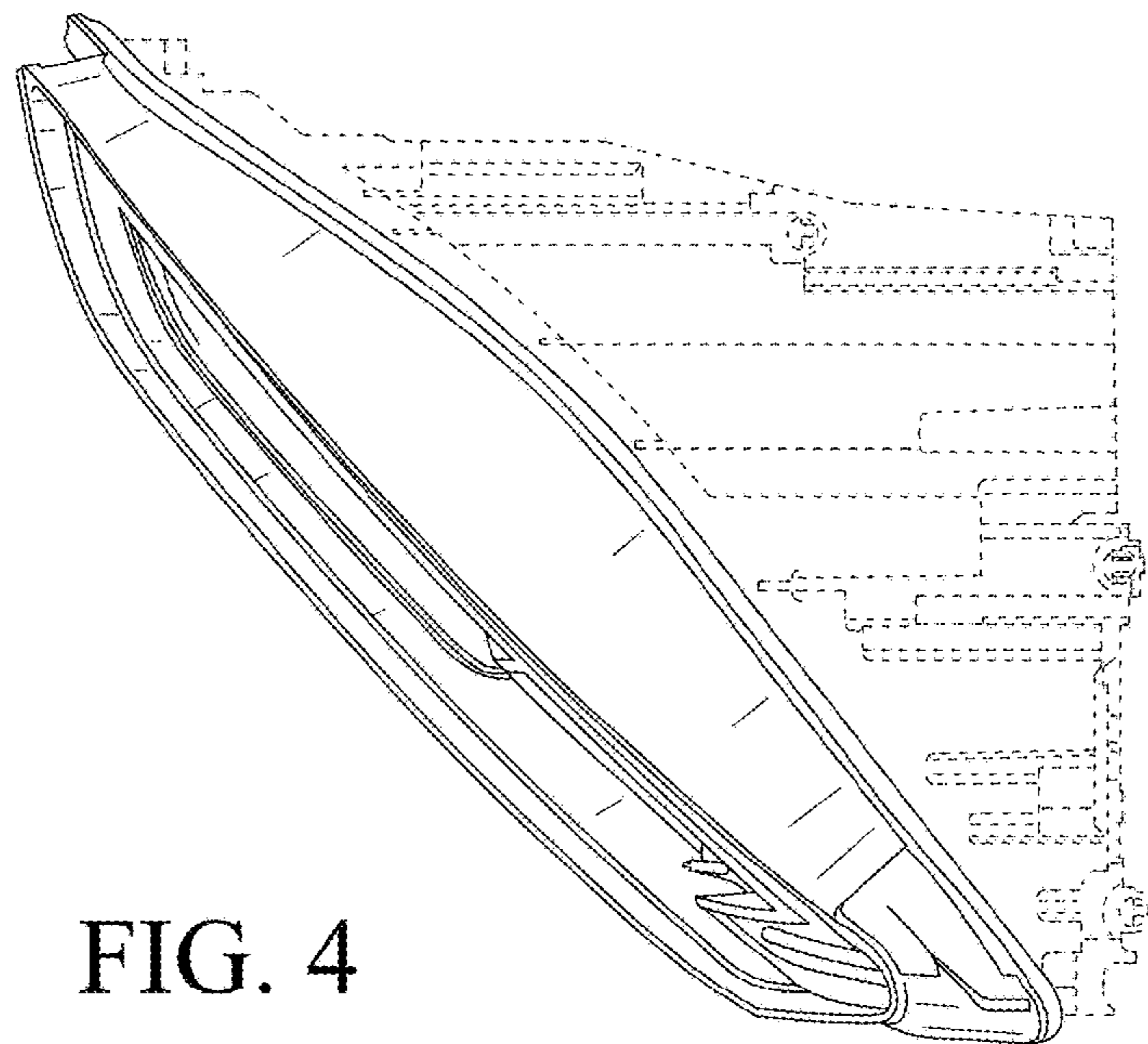


FIG. 4

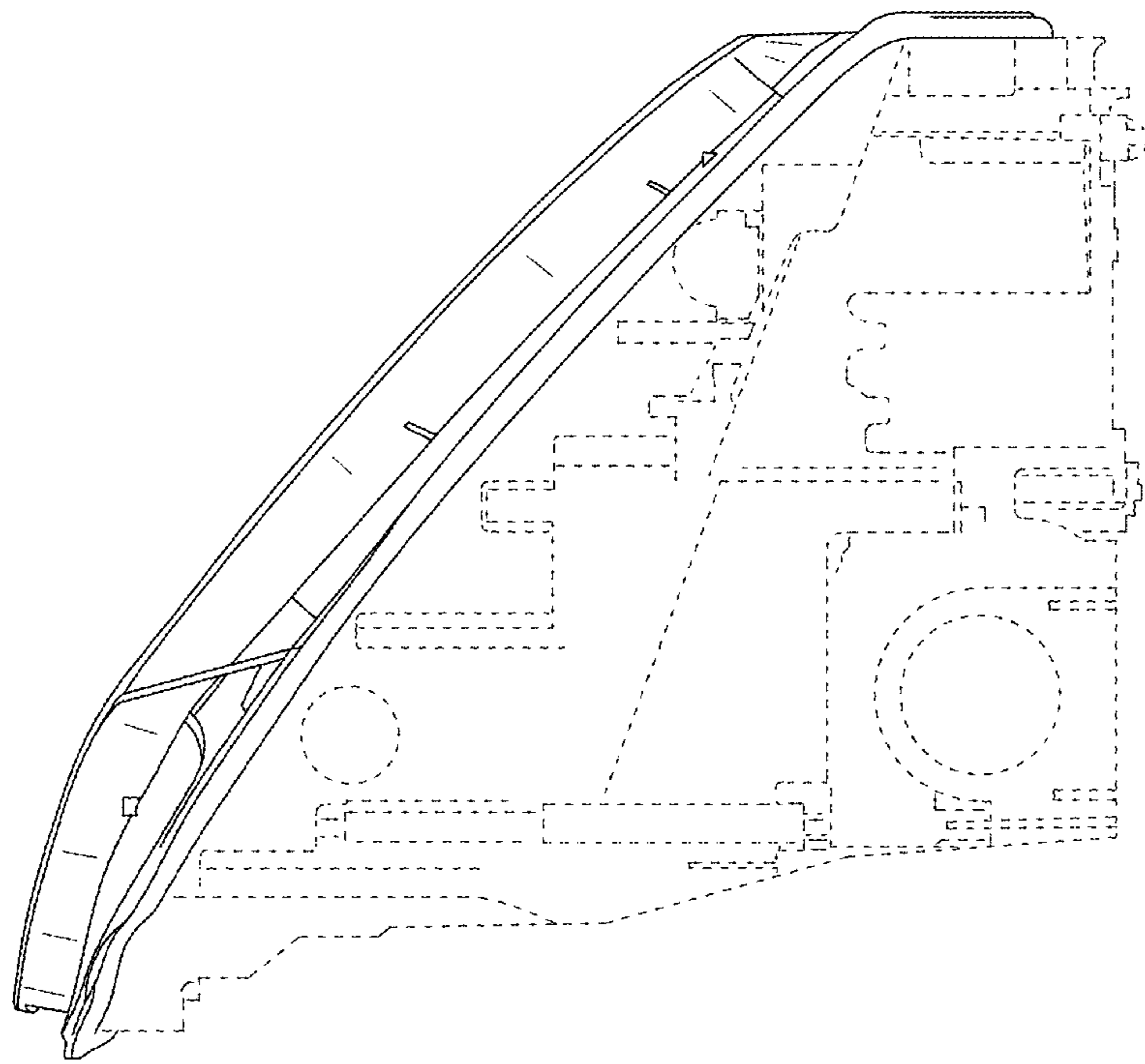


FIG. 5