



US00D802801S

(12) **United States Design Patent** (10) **Patent No.:** **US D802,801 S**
Fannan (45) **Date of Patent:** **** Nov. 14, 2017**

- (54) **WINDOW COMPONENT EXTRUSION**
- (71) Applicant: **Mikron Industries, Inc.**, Kent, WA (US)
- (72) Inventor: **Michael R. Fannan**, Pecatonica, IL (US)
- (73) Assignee: **Mikron Industries, Inc.**, Kent, WA (US)
- (**) Term: **15 Years**
- (21) Appl. No.: **29/569,964**
- (22) Filed: **Jul. 1, 2016**

Related U.S. Application Data

- (62) Division of application No. 29/525,414, filed on Apr. 29, 2015, now Pat. No. Des. 777,949.
- (51) **LOC (10) Cl.** **25-02**
- (52) **U.S. Cl.**
USPC **D25/124**
- (58) **Field of Classification Search**
USPC D25/35, 44, 48.7, 60, 119-125, 136-137, D25/138, 139, 164, 199; 52/204.1, 204.2, 52/204.5, 204.51, 204.55, 204.61, 204.62, 52/204.69, 207.7, 204.72, 208, 209, 212, 52/213, 215, 579, 656.2, 656.4, 656.5, 52/656.6, 656.7, 800.13, 717.01, 793.1, 52/794.1; D20/42, 43, 44; D34/35
CPC ... E06B 1/00; E06B 1/006; E06B 1/02; E06B 1/04; E06B 1/045; E06B 1/12; E06B 1/16; E06B 1/34; E06B 1/342; E06B 1/345; E06B 1/347; E06B 1/36; E06B 1/363; E06B 1/366; E06B 1/38; E06B 1/40; E06B 1/52; E06B 1/522; E06B 1/524; E06B 1/526; E06B 1/528; E06B 1/56; E06B 1/60; E06B 1/6092; E06B 1/62; E06B 1/70; E06B 1/702; E06B 1/705; E06B 1/707; E06B 3/305; E06B 3/22; E06B 3/222; E06B 3/24; E06B 2003/66385

See application file for complete search history.

- (56) **References Cited**
U.S. PATENT DOCUMENTS
- D336,962 S * 6/1993 Cole D25/124
- D338,721 S * 8/1993 Cole D25/124
- D338,973 S * 8/1993 Cole D25/124
- D379,529 S * 5/1997 DiGiorgio D25/124
- D495,808 S * 9/2004 Habeck D25/119
- D501,936 S * 2/2005 Kim D25/124
- D507,356 S * 7/2005 Jarrell D25/124
- D511,842 S * 11/2005 Kim D25/60
- D603,978 S * 11/2009 Lockbeam D25/124
- D608,906 S * 1/2010 Stephens D25/60
- D608,909 S * 1/2010 Stephens D25/60
- D619,729 S * 7/2010 Bernier D25/124
- D713,058 S * 9/2014 Kosonen D25/124
- D714,468 S * 9/2014 Fannan D25/124
- D718,878 S * 12/2014 Fannan D25/119
- D720,084 S * 12/2014 Wickland D25/124

(Continued)

Primary Examiner — Cynthia Ramirez
Assistant Examiner — Llorellys Martinez-Rivera
 (74) *Attorney, Agent, or Firm* — Zollinger & Burleson Ltd.

(57) **CLAIM**

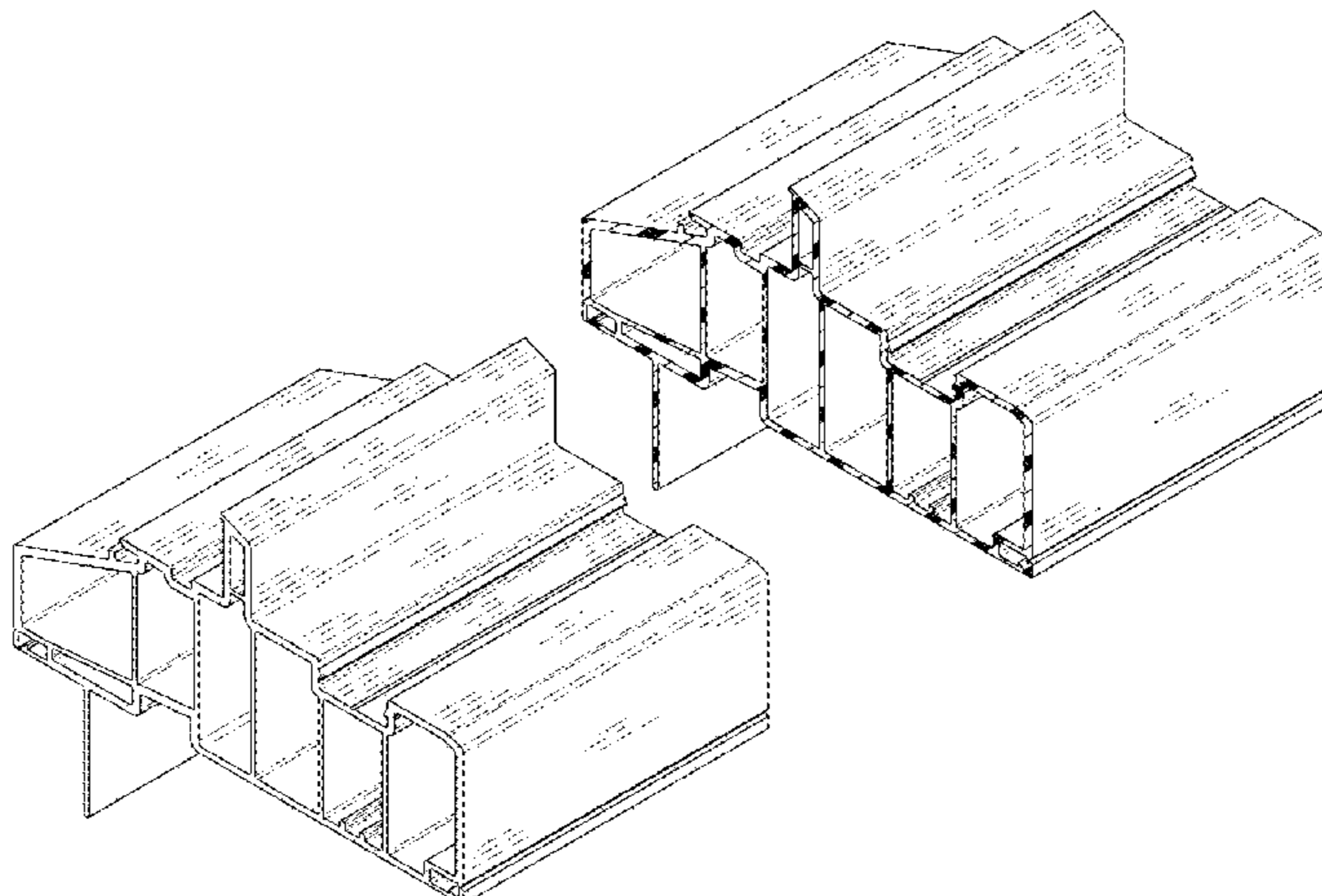
The ornamental design for a window component extrusion, as shown and described.

DESCRIPTION

FIG. 1 is a top perspective view of a window component extrusion showing my new design; and, FIG. 2 is a bottom perspective view of the window component extrusion in FIG. 1.

The window component extrusion is shown with a symbolic break in its length. The appearance of any portion of the window component extrusion between the break lines forms no part of the claimed design.

1 Claim, 2 Drawing Sheets



(56)

References Cited

U.S. PATENT DOCUMENTS

D720,085 S	*	12/2014	Wickland	D25/124
D725,295 S	*	3/2015	Fannan	D25/124
D732,204 S	*	6/2015	Campbell	D25/124
D777,949 S	*	1/2017	Fannan	D25/124

* cited by examiner

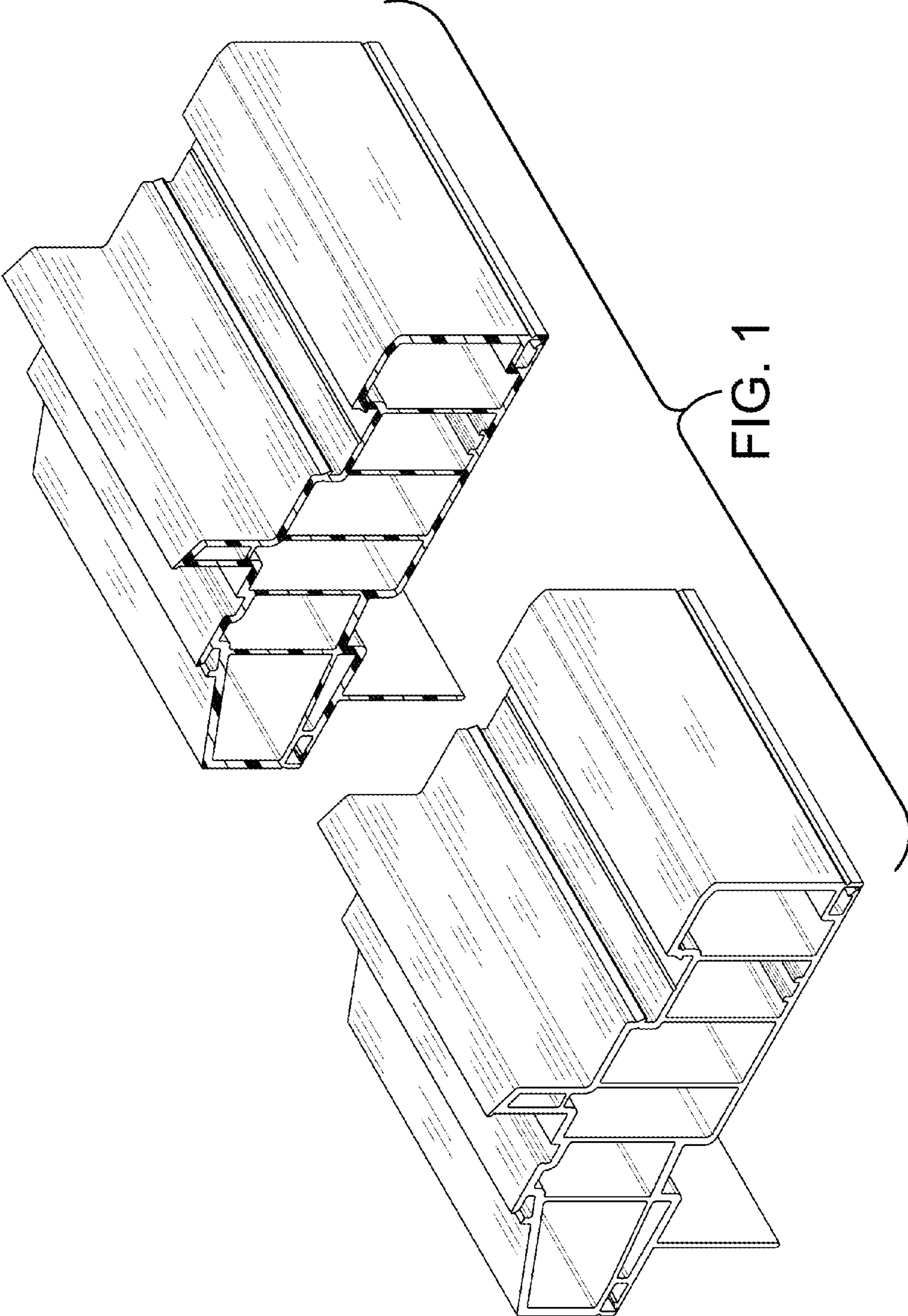


FIG. 1

