



US00D802799S

(12) **United States Design Patent**
Walker et al.

(10) **Patent No.:** **US D802,799 S**

(45) **Date of Patent:** **** Nov. 14, 2017**

(54) **CAP FOR A RAILING**
(71) Applicant: **Peak Innovations Inc.**, Richmond (CA)
(72) Inventors: **Simon Walker**, Delta (CA); **Craig Lawson**, Burnaby (CA); **Charles Young**, Vancouver (CA); **Hou Jun (Frank) Fan**, Surrey (CA)
(73) Assignee: **Peak Innovations Inc.**, Richmond (CA)

D464,783 S * 10/2002 Abbestam D25/119
D473,662 S * 4/2003 Shaw D25/119
6,732,477 B1 * 5/2004 Richard E04D 13/0725
248/48.1
6,955,458 B2 10/2005 Cheema
7,066,618 B1 6/2006 Little
D549,851 S * 8/2007 Antonic D25/119
D724,240 S * 3/2015 Ross D25/121
2005/0108951 A1 * 5/2005 McDonald E04D 13/064
52/11

(**) Term: **15 Years**

* cited by examiner

(21) Appl. No.: **29/535,636**

Primary Examiner — Cynthia Ramirez

Assistant Examiner — Gino Colan

(22) Filed: **Aug. 7, 2015**

(74) *Attorney, Agent, or Firm* — Smiths IP; Lawrence Chan

(51) **LOC (10) Cl.** **25-01**

(52) **U.S. Cl.**
USPC **D25/121**

(57) **CLAIM**

The ornamental design for a cap for a railing, as shown and described.

(58) **Field of Classification Search**
USPC D25/119–125, 164, 102, 43, 44, 61, 136,
D25/126, 138; 52/204.5, 204.62, 204.67,
52/204.68, 204.65, 790, 780, 781, 399,
52/244, 273, 277, 278, 279, 282.3,
52/799.11, 800.1, 800.11, 588.1, 716.1,
52/290, 287.1, 146, 170, 468, 469, 470,
52/272, 11; 248/48.1
CPC E04D 13/0641; E04D 13/064; E04D
13/0725

DESCRIPTION

FIG. 1 is a perspective view of a cap for a railing showing our new design;
FIG. 2 is a top view of the cap for a railing shown in FIG. 1;
FIG. 3 is a left side view of the cap for a railing shown in FIG. 1, the right side view being identical;
FIG. 4 is a bottom view of the cap for a railing shown in FIG. 1; and,
FIG. 5 is a front view of the cap for a railing shown in FIG. 1, the rear view being identical.
The cap for a railing is shown with a symbolic break in the middle. The appearance of any portion of the article between the break lines forms no part of the claimed design.

See application file for complete search history.

(56) **References Cited**

U.S. PATENT DOCUMENTS

4,994,944 A 2/1991 Vernondier
5,107,408 A 4/1992 Vernondier
D423,117 S * 4/2000 Chaney D25/122
D433,514 S * 11/2000 Grosfillex D25/124

1 Claim, 1 Drawing Sheet

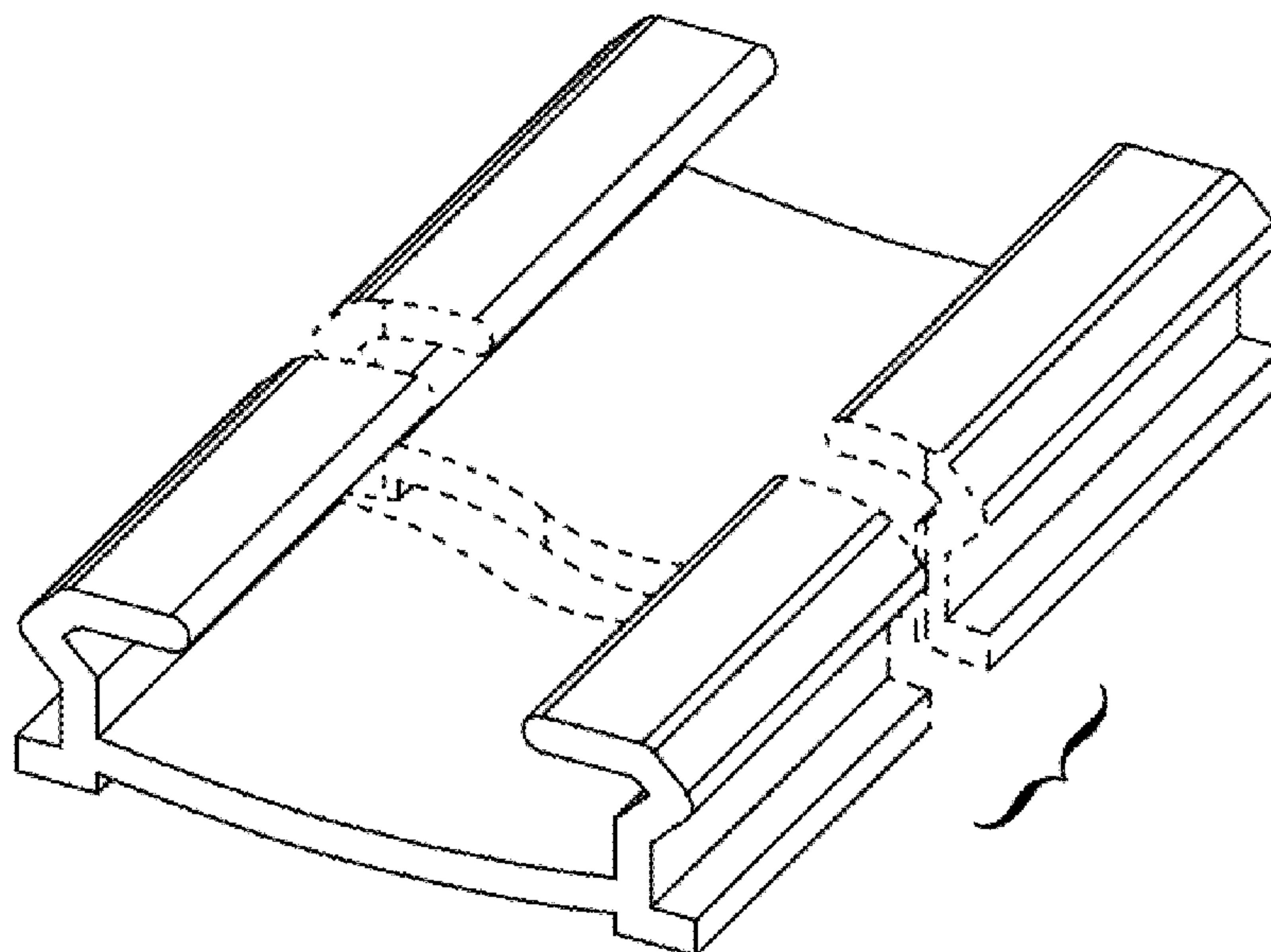


Fig. 1

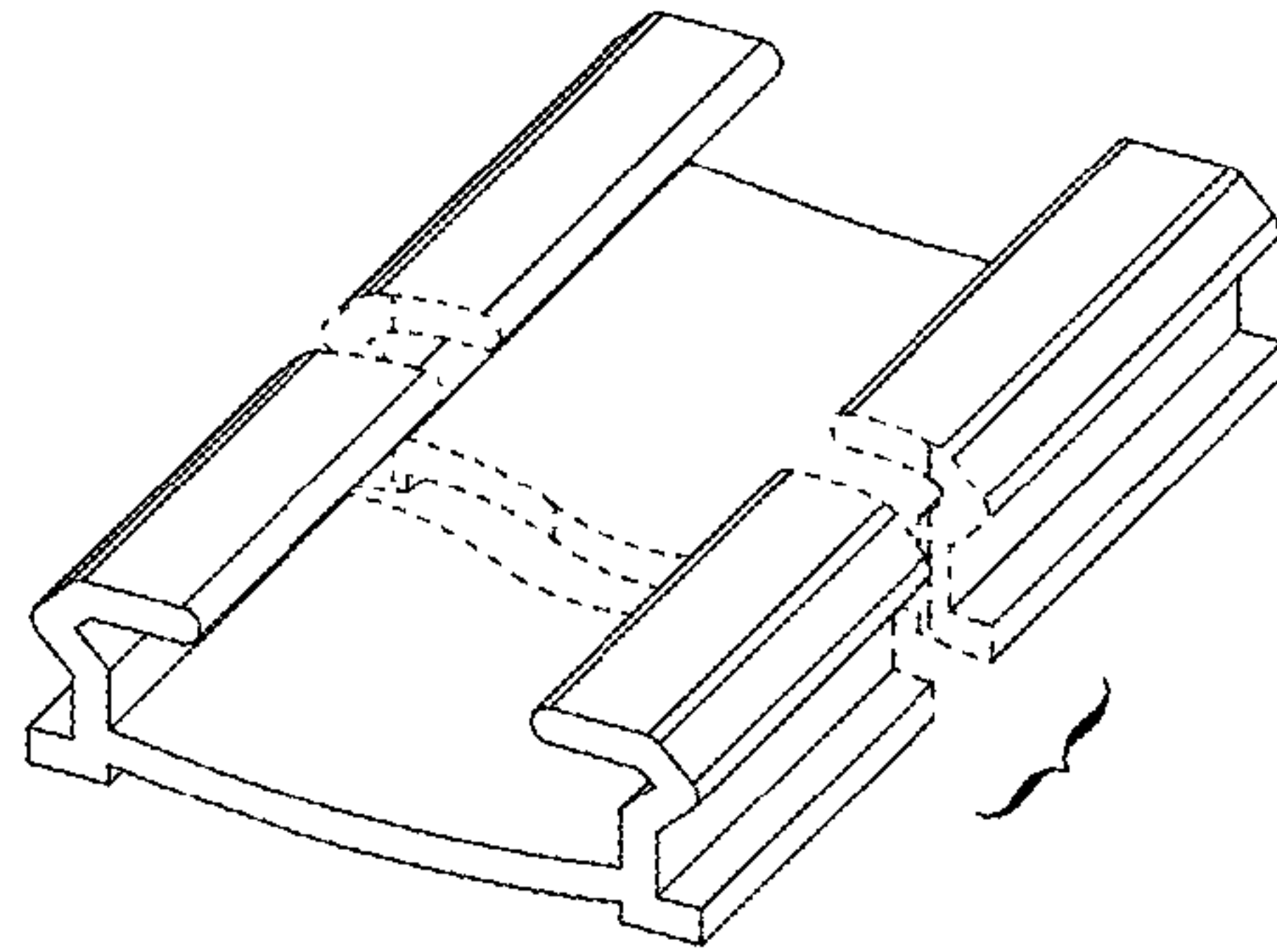


Fig. 2

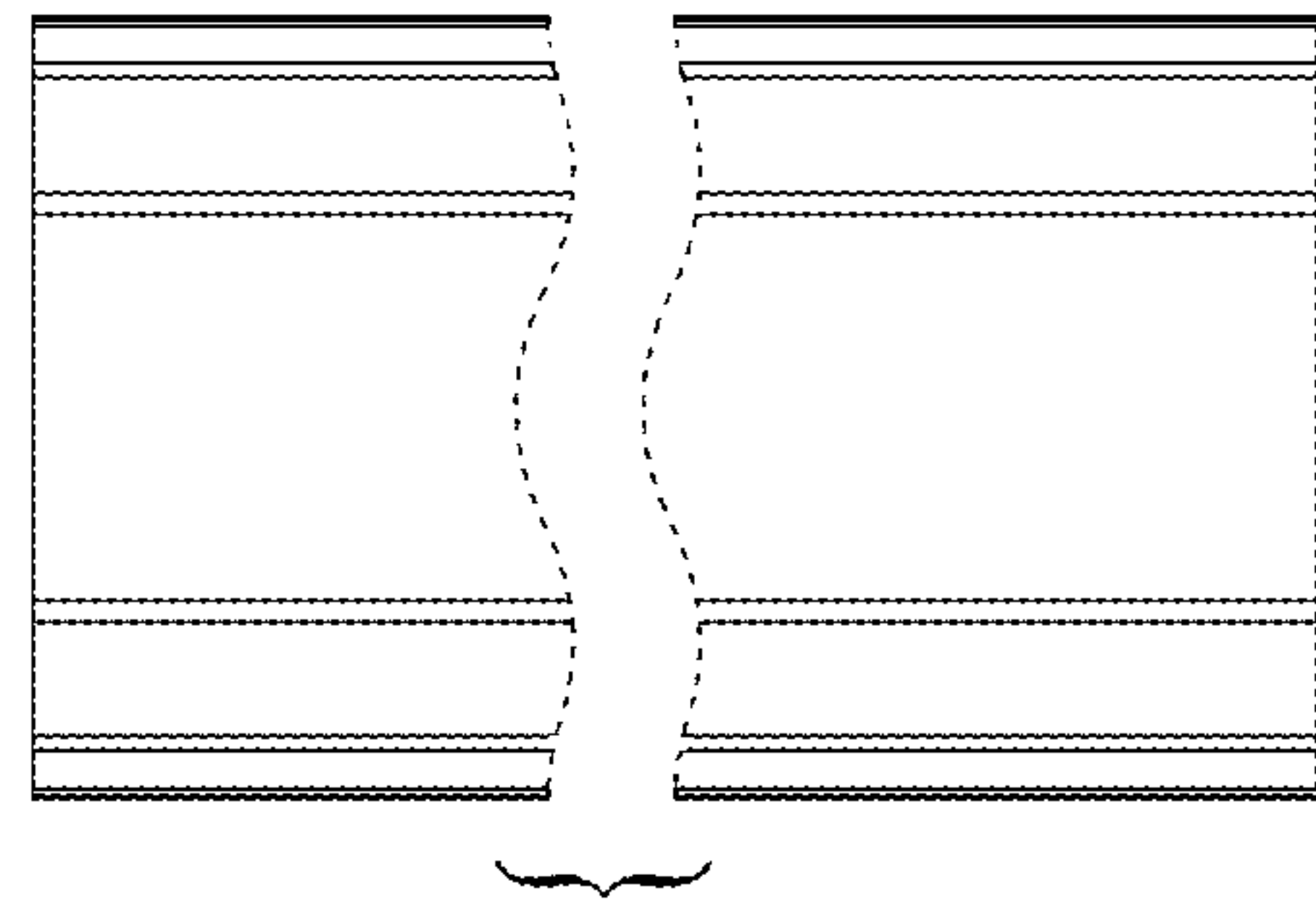


Fig. 3

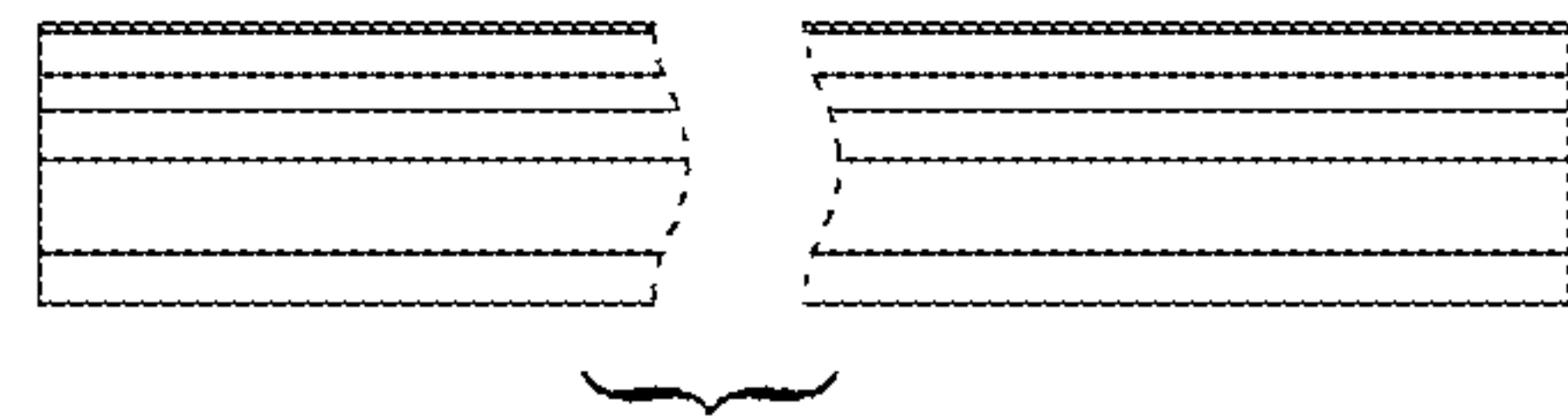


Fig. 4

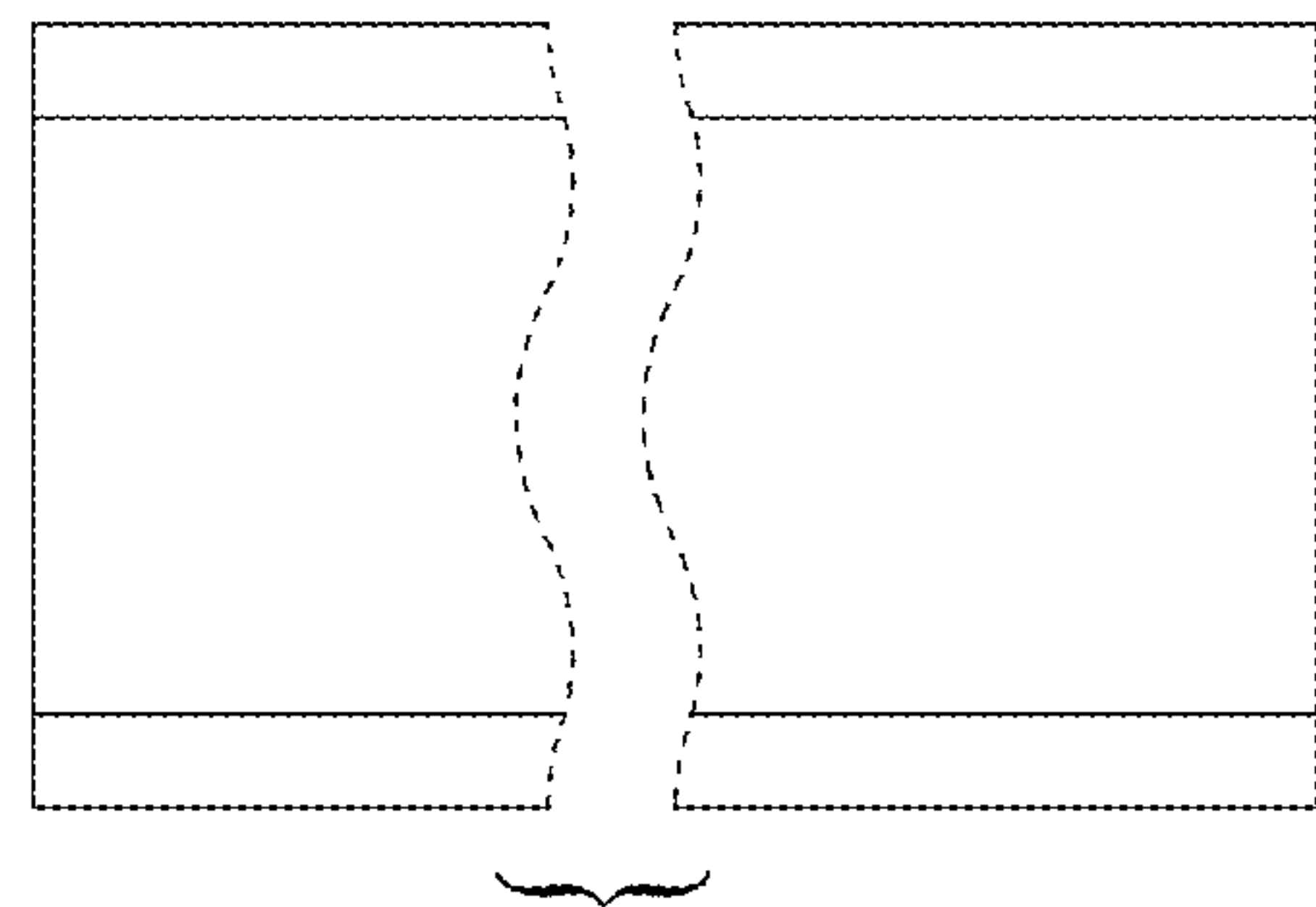


Fig. 5

