



US00D802796S

(12) **United States Design Patent** (10) **Patent No.:** **US D802,796 S**
Wysock et al. (45) **Date of Patent:** **** *Nov. 14, 2017**

(54) **DOOR FACING**

(71) Applicant: **Masonite Corporation**, Tampa, FL (US)

(72) Inventors: **Gregory J. Wysock**, Huntley, IL (US);
Timothy D. Gouge, Elgin, IL (US);
Patrick Ege, Elmhurst, IL (US)

(73) Assignee: **Masonite Corporation**, Tampa, FL (US)

(*) Notice: This patent is subject to a terminal disclaimer.

(**) Term: **15 Years**

(21) Appl. No.: **29/543,659**

(22) Filed: **Oct. 27, 2015**

Related U.S. Application Data

(63) Continuation of application No. 29/507,521, filed on Oct. 28, 2014, now Pat. No. Des. 742,033, which is a (Continued)

(51) **LOC (10) Cl.** **25-02**

(52) **U.S. Cl.**
USPC **D25/48.3**

(58) **Field of Classification Search**
USPC D25/48.3, 48.4, 48.5, 48.6, 48.7, 48.8,
D25/138; 49/382, 501, 504, 506;
(Continued)

(56) **References Cited**

U.S. PATENT DOCUMENTS

4,030,246 A 6/1977 Naylor
5,614,231 A 3/1997 Rinker
(Continued)

FOREIGN PATENT DOCUMENTS

CN 301500424 * 3/2011
WO D038516-001 * 2/1997
WO D038516-004 * 2/1997

Primary Examiner — Susan Bennett Hattan

Assistant Examiner — Leanne Was-Englehart

(74) *Attorney, Agent, or Firm* — Berenato & White, LLC

(57) **CLAIM**

The ornamental design for a door facing, as shown and described.

DESCRIPTION

FIG. 1 is a front perspective view of our design;
FIG. 2 is a front elevational view;
FIG. 3 is an enlarged fragmentary elevational view of a portion of FIG. 2;
FIG. 4 is a rear elevational view;
FIG. 5 is a top plan view;
FIG. 6 is a bottom plan view;
FIG. 7 is a cross sectional view taken along the line 7-7 of FIG. 2;
FIG. 8 is an enlarged fragmentary cross sectional view of a portion of FIG. 7;
FIG. 9 is a left side elevational view;
FIG. 10 is a right side elevational view;
FIG. 11 is a cross sectional view taken along the line 11-11 of FIG. 2;
FIG. 12 is an enlarged fragmentary cross sectional view of a portion of FIG. 11;
FIG. 13 is a front perspective view of another version of our design;
FIG. 14 is a front elevational view of FIG. 13;
FIG. 15 is an enlarged fragmentary elevational view of a portion of FIG. 14;
FIG. 16 is a rear elevational view of FIG. 13;
FIG. 17 is a top plan view of FIG. 14;
FIG. 18 is a bottom plan view of FIG. 14;
FIG. 19 is a cross sectional view taken along the line 19-19 of FIG. 14;
FIG. 20 is an enlarged fragmentary cross sectional view of a portion of FIG. 19;
FIG. 21 is a left side elevational view of FIG. 14;
FIG. 22 is a right side elevational view of FIG. 14;
FIG. 23 is a cross sectional view taken along the line 23-23 of FIG. 14; and,

(Continued)

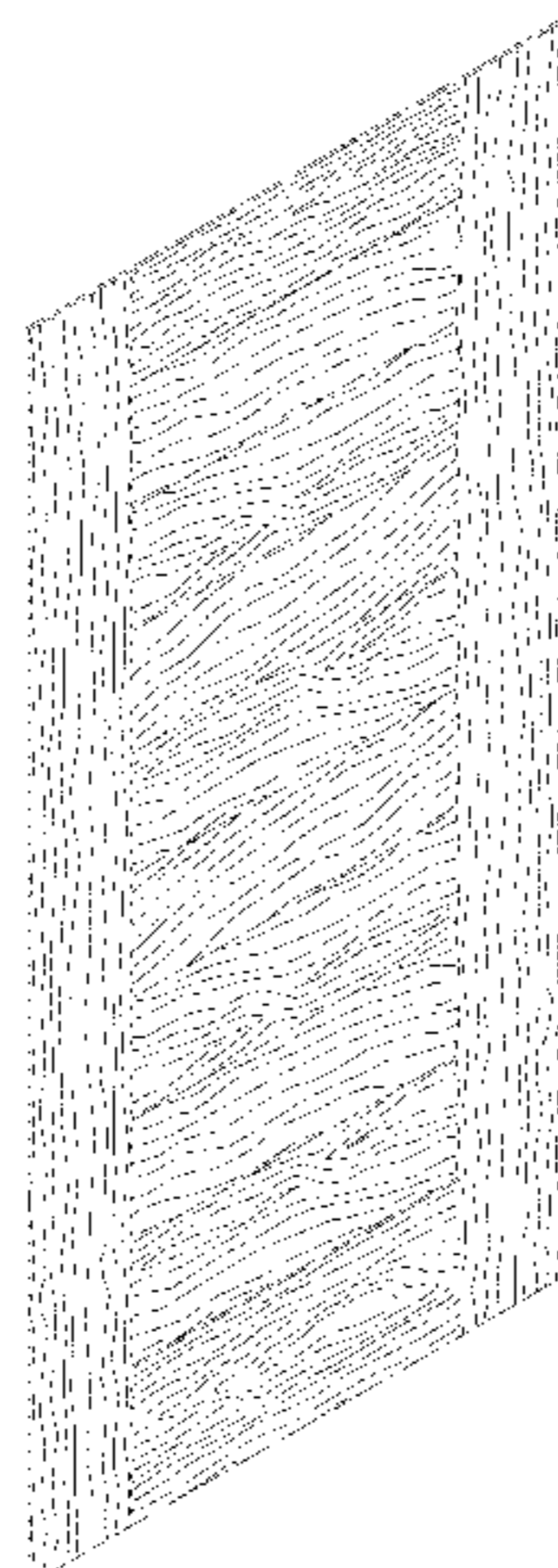
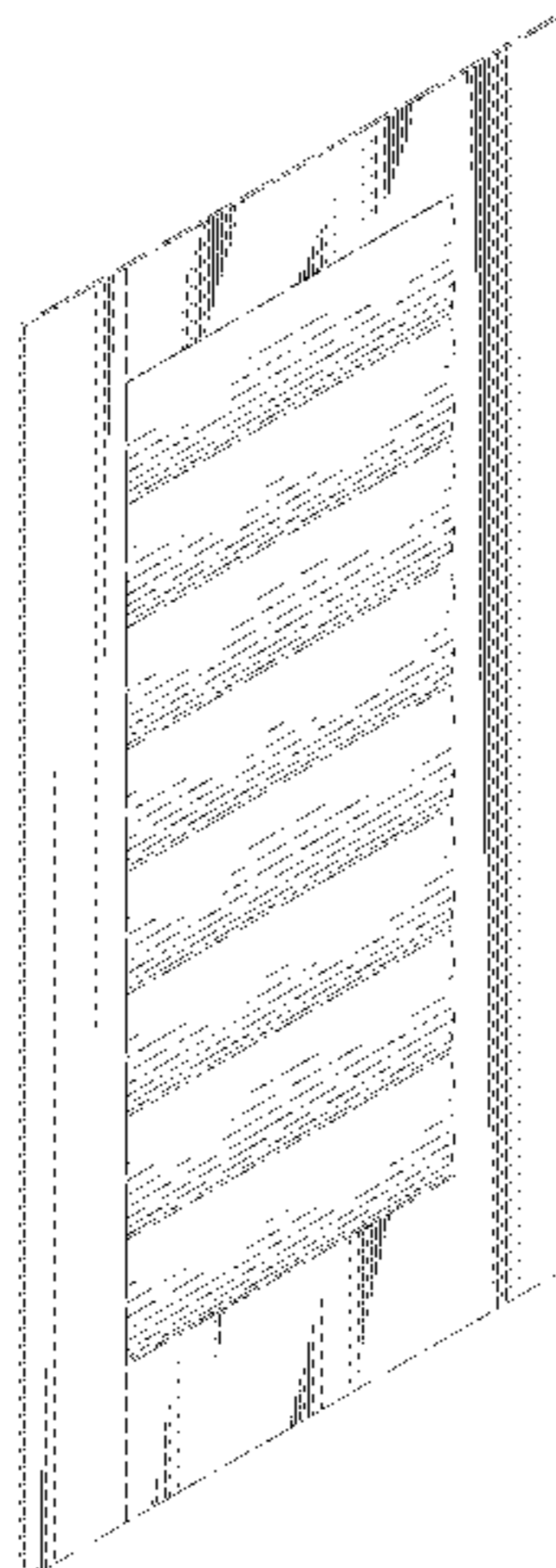


FIG. 24 is an enlarged fragmentary cross sectional view of a portion of FIG. 23. (56)

The portion of the door facing depicted in broken lines forms no part of the claimed design.

1 Claim, 14 Drawing Sheets

Related U.S. Application Data

continuation of application No. 29/471,192, filed on Oct. 29, 2013, now Pat. No. Des. 716,472.

(58) **Field of Classification Search**

USPC 52/207, 208, 311.2, 311.3, 313, 455-458, 52/474, 475.1, 781, 784.16; 428/45
 CPC ... E06B 3/72; E06B 3/78; E06B 3/485; E06B 3/4636; E06B 2003/7044; E06B 1/04; E06B 5/00

See application file for complete search history.

References Cited

U.S. PATENT DOCUMENTS

D530,431	S	10/2006	Walsh et al.	
D565,744	S *	4/2008	Mock	D25/48.4
D576,315	S *	9/2008	Mock	D25/138
D582,565	S	12/2008	Colston et al.	
D607,579	S	1/2010	Walsh et al.	
D616,109	S	5/2010	Steiber et al.	
D617,005	S	6/2010	Mullet	
D638,956	S	5/2011	Walsh et al.	
D716,471	S *	10/2014	Wysock	D25/48.3
D716,472	S *	10/2014	Wysock	D25/48.3
D716,473	S *	10/2014	Wysock	D25/48.3
D716,474	S *	10/2014	Wysock	D25/48.3
D740,964	S *	10/2015	Wysock	D25/48.3
D740,965	S *	10/2015	Wysock	D25/48.3
D741,504	S *	10/2015	Wysock	D25/48.3
D742,033	S *	10/2015	Wysock	D25/48.3
2004/0139673	A1	7/2004	Luetgert et al.	
2011/0036036	A1	2/2011	Thompson et al.	
2011/0107703	A1	5/2011	Mullet	

* cited by examiner

Fig. 1

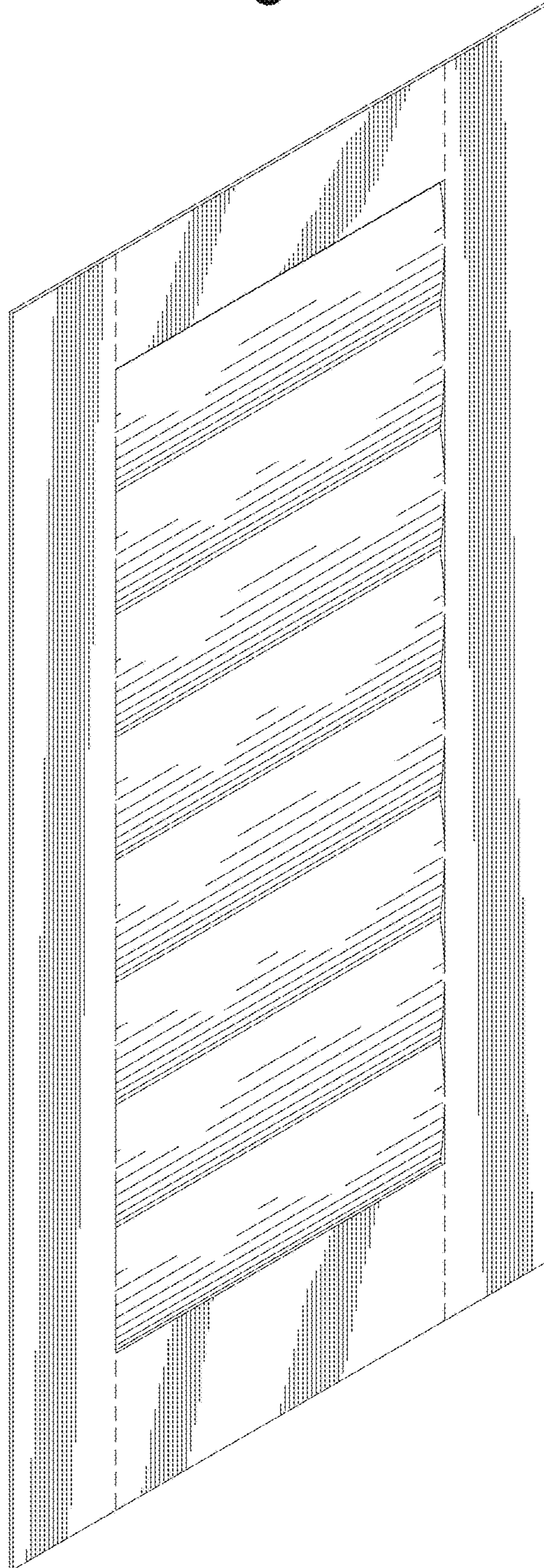


Fig. 2

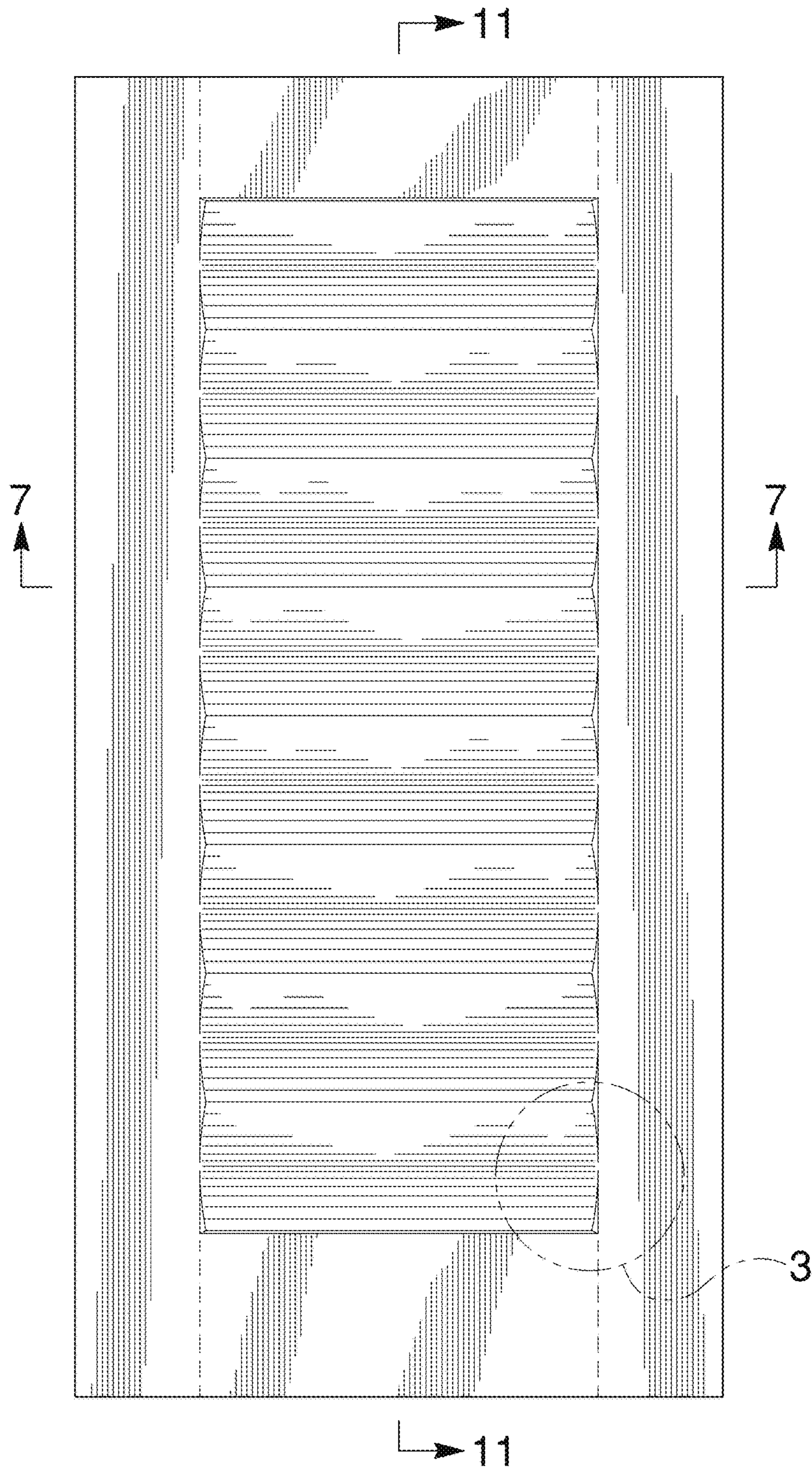


Fig. 3

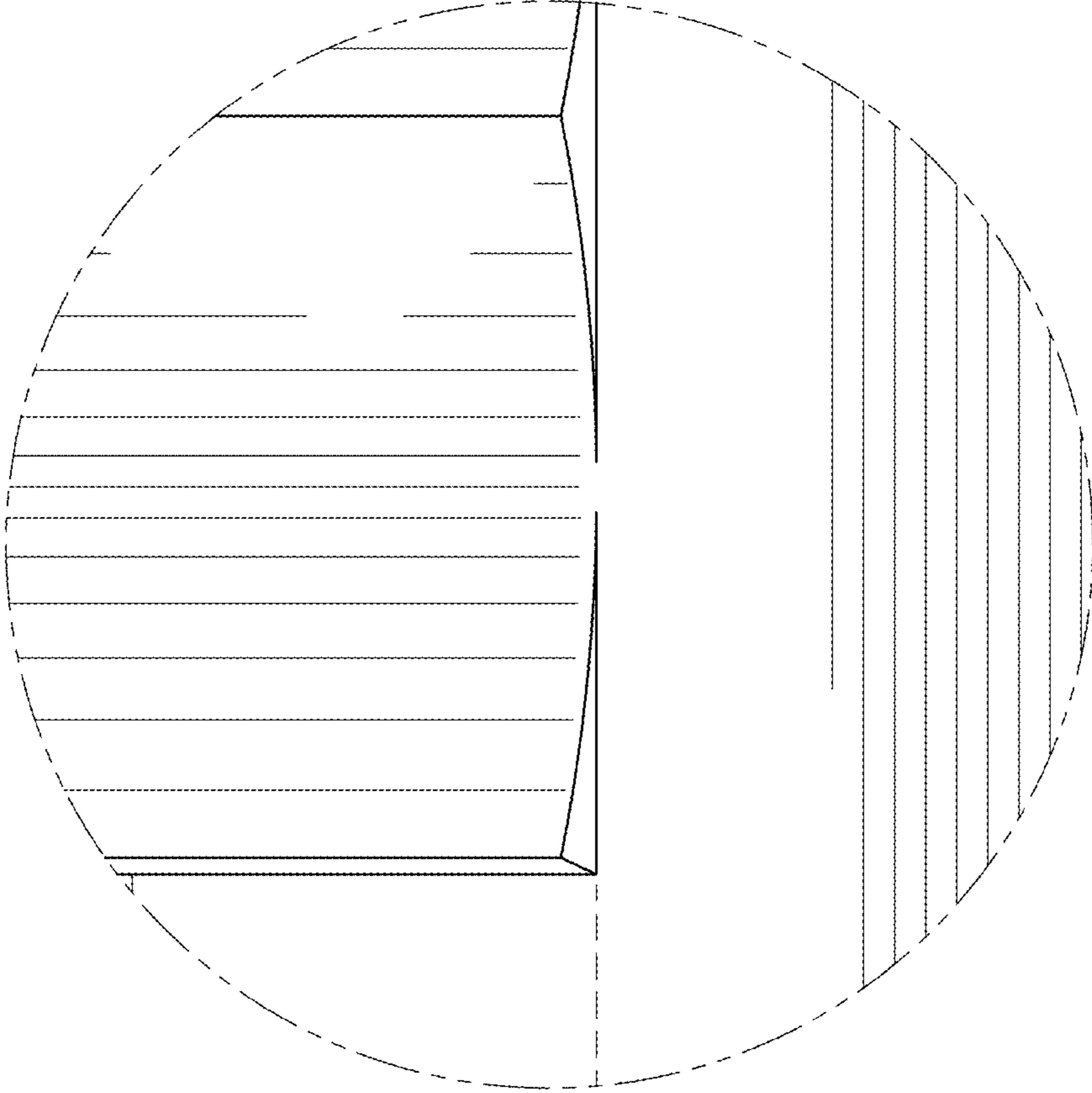


Fig. 4

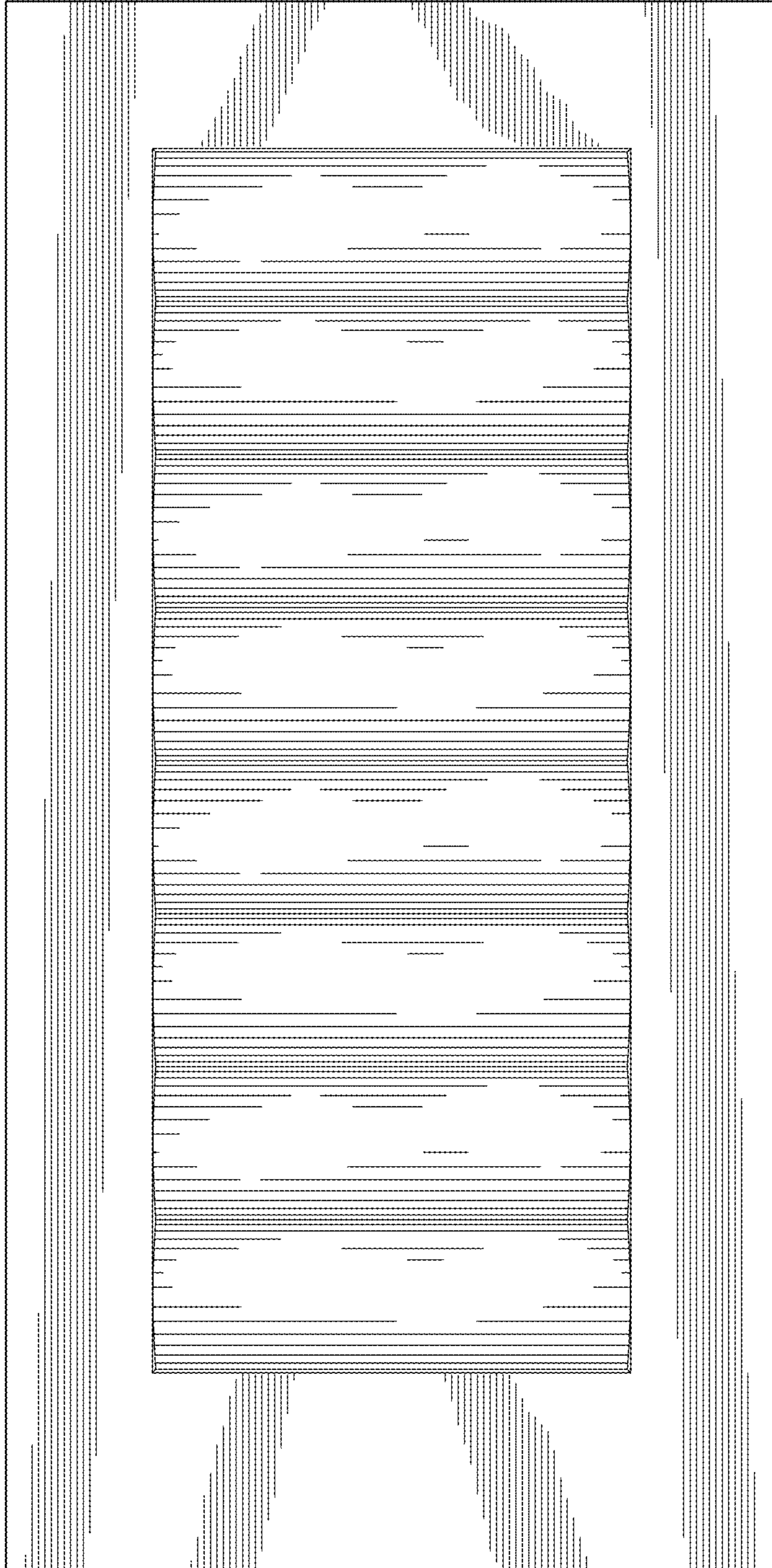


Fig. 5

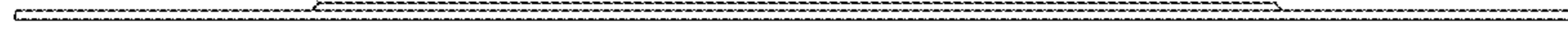


Fig. 6

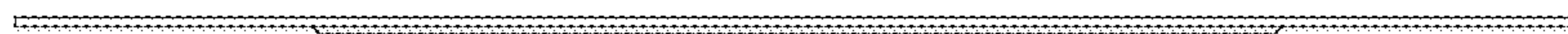


Fig. 7

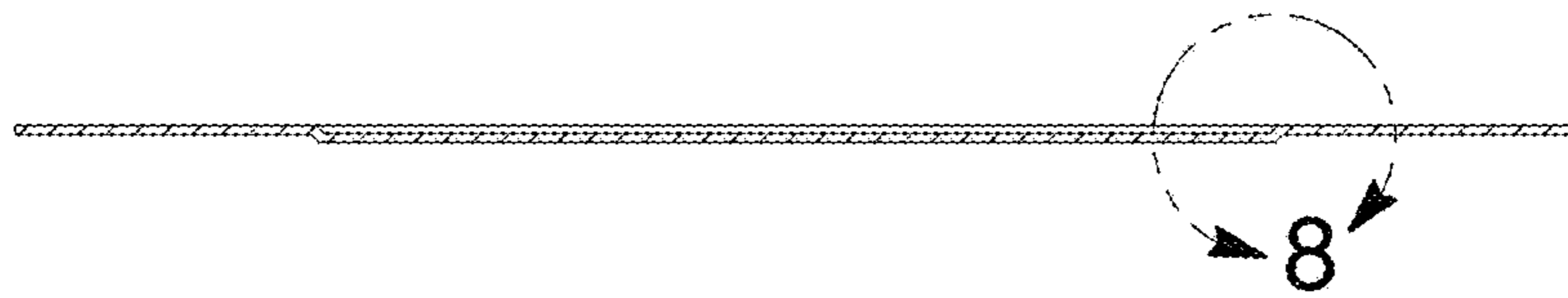


Fig. 8

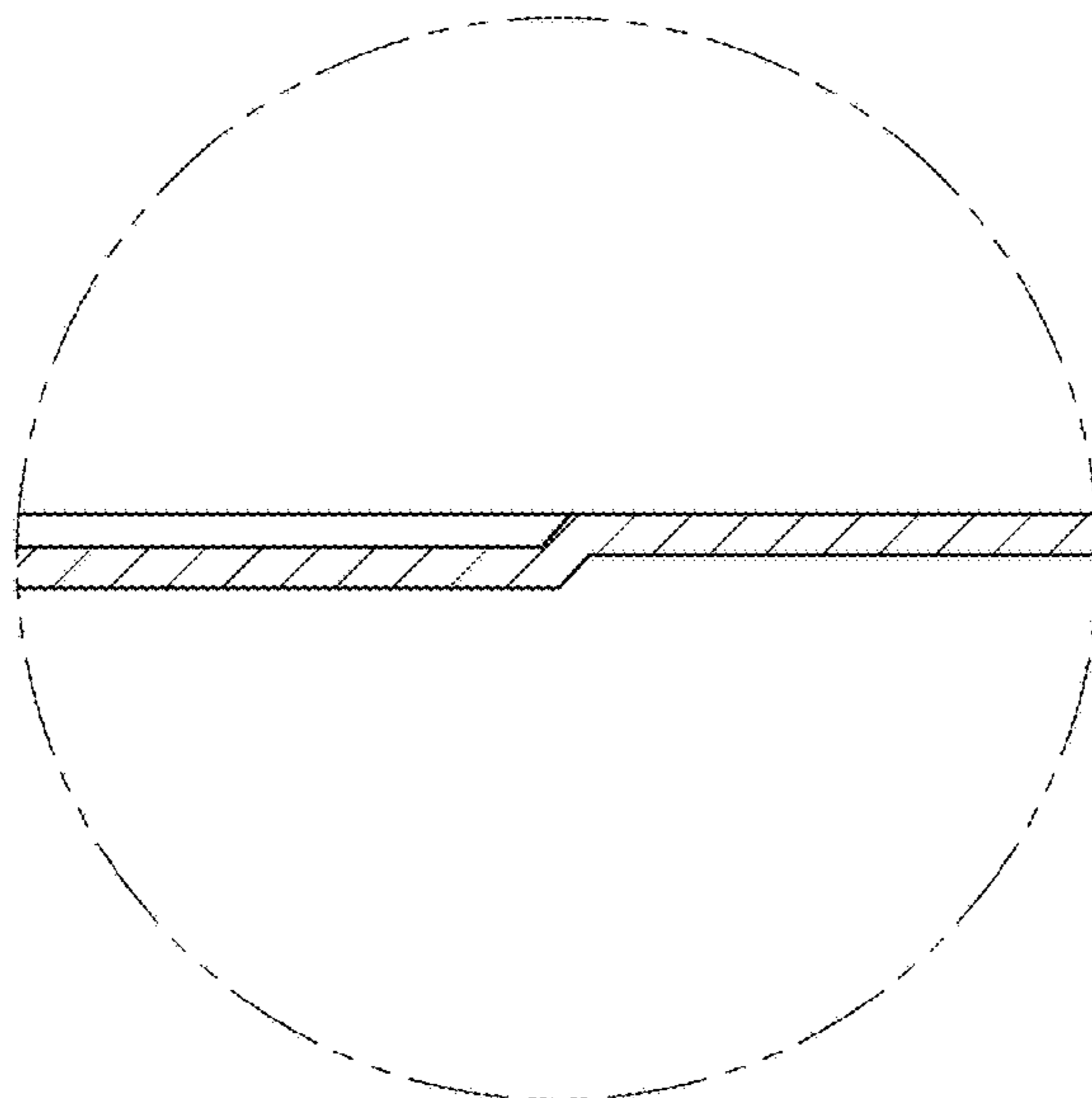


Fig. 9



Fig. 10

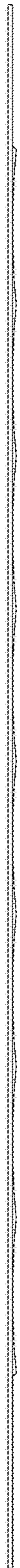


Fig. 11

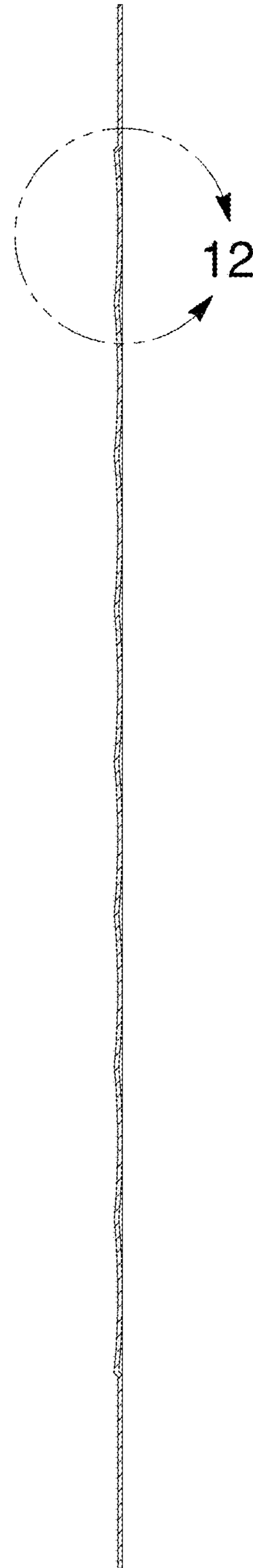


Fig. 12

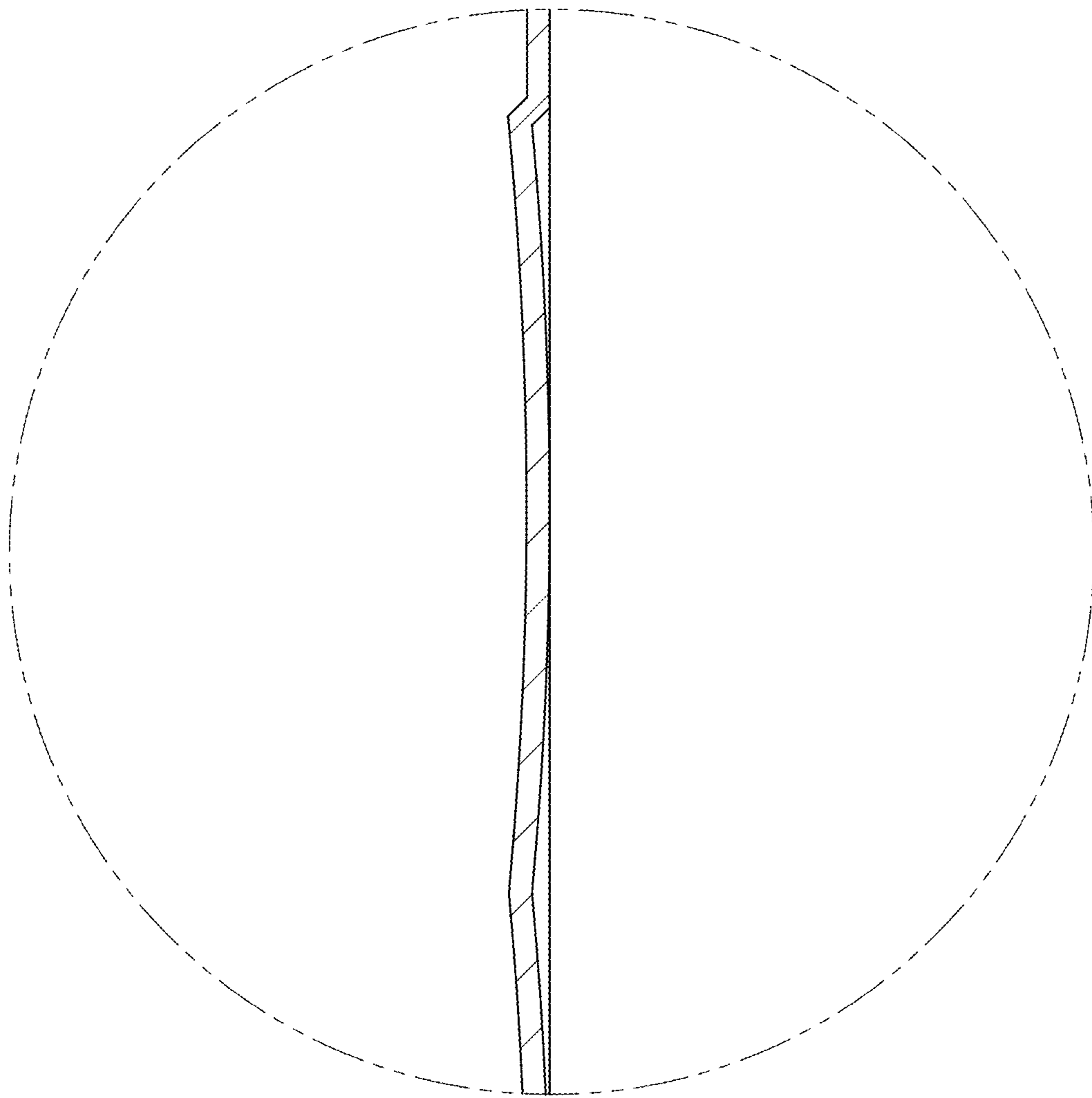


Fig. 13

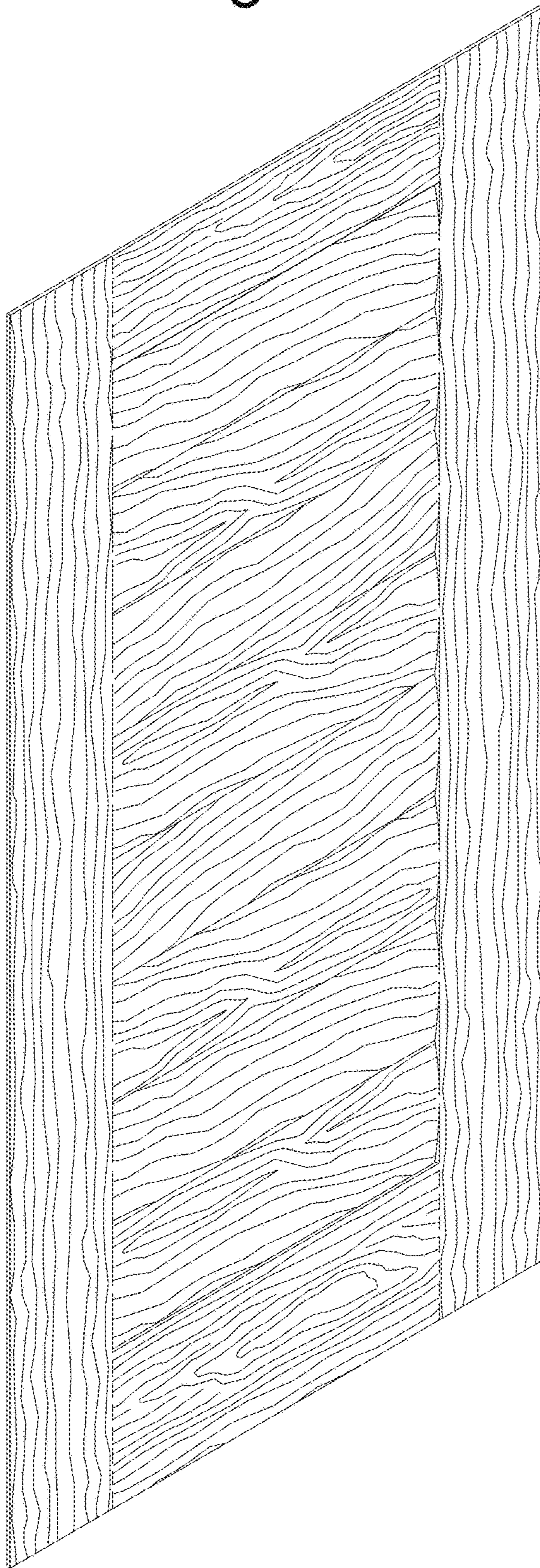


Fig. 14

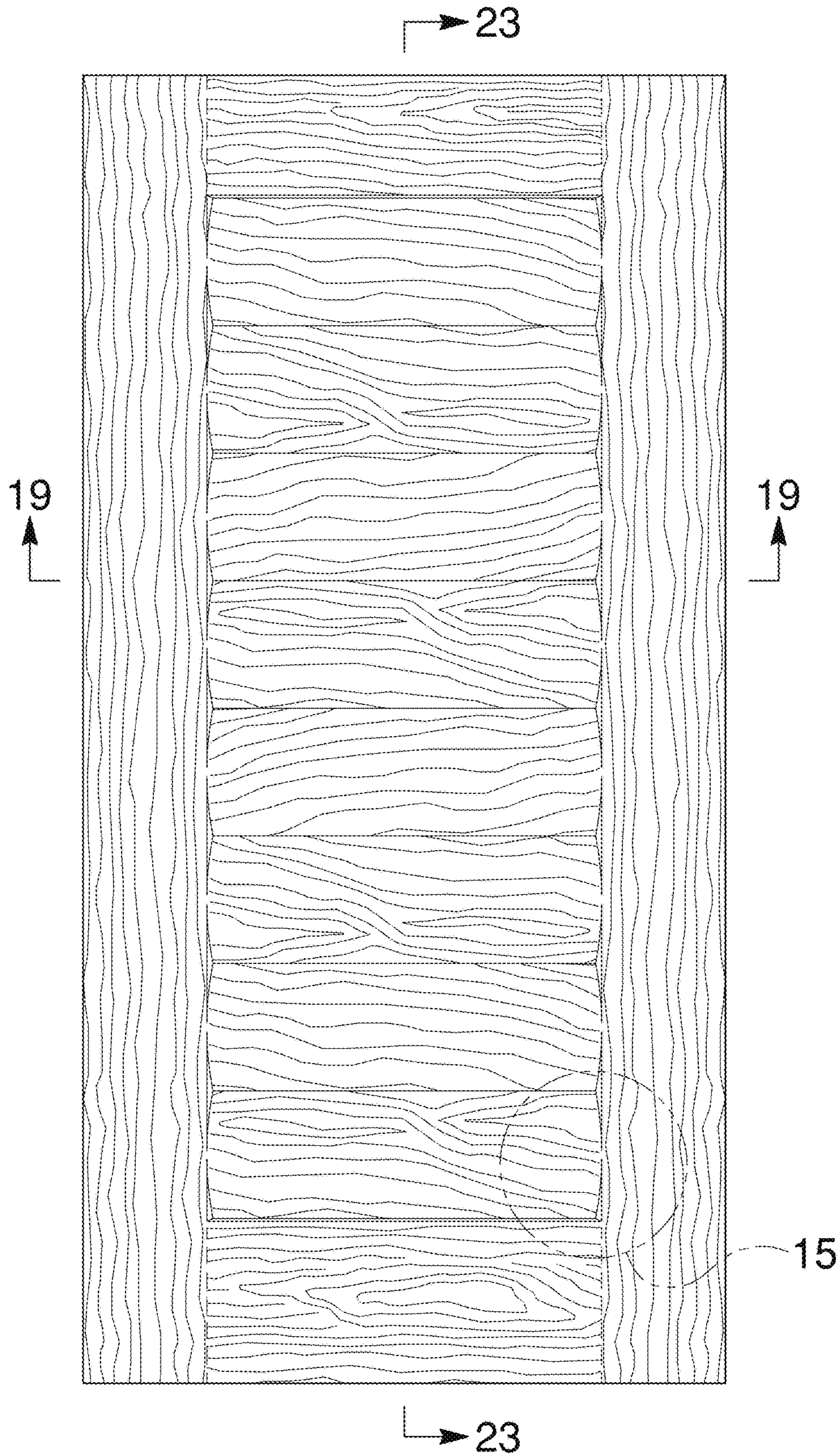


Fig. 15

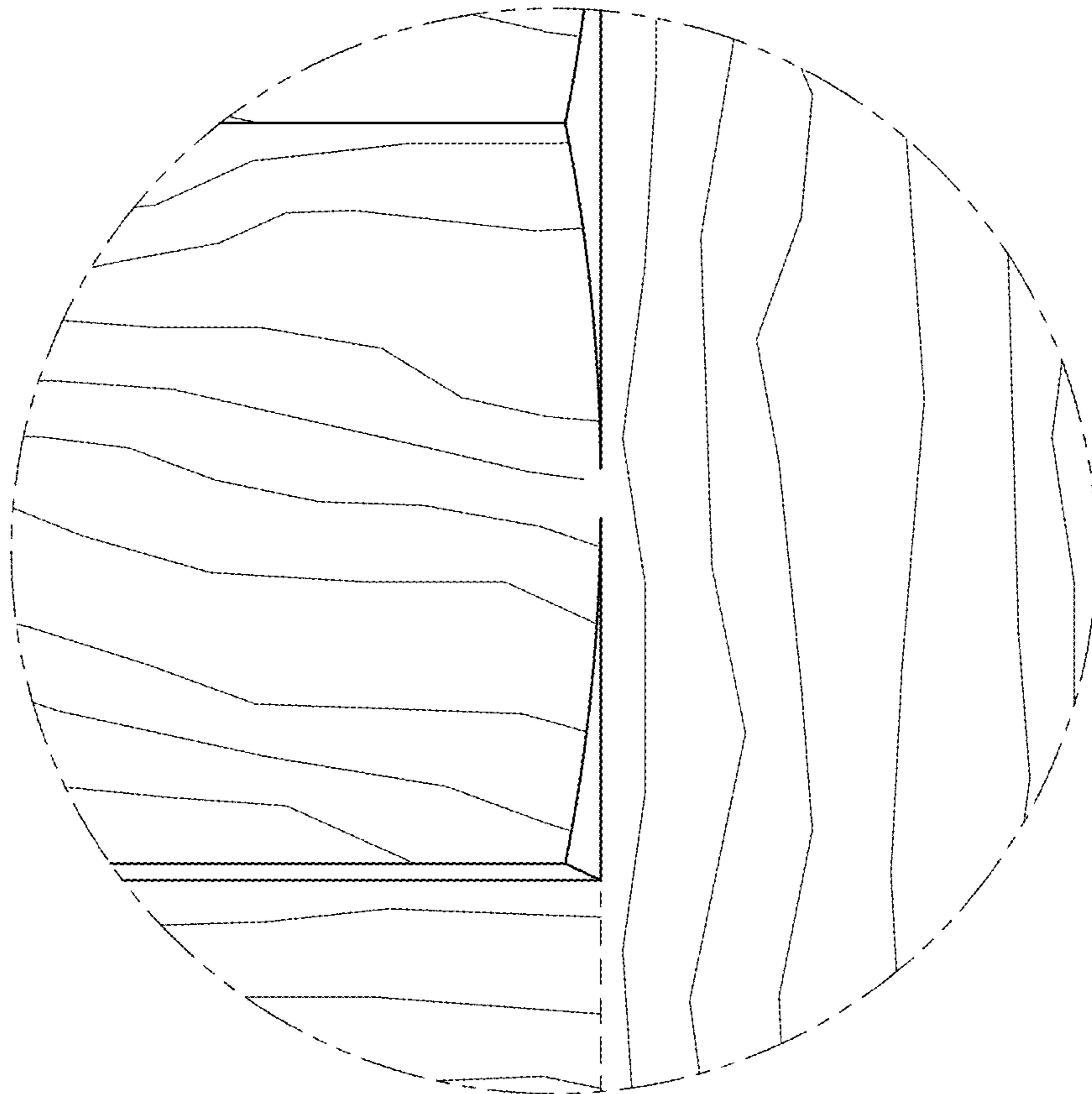


Fig. 16

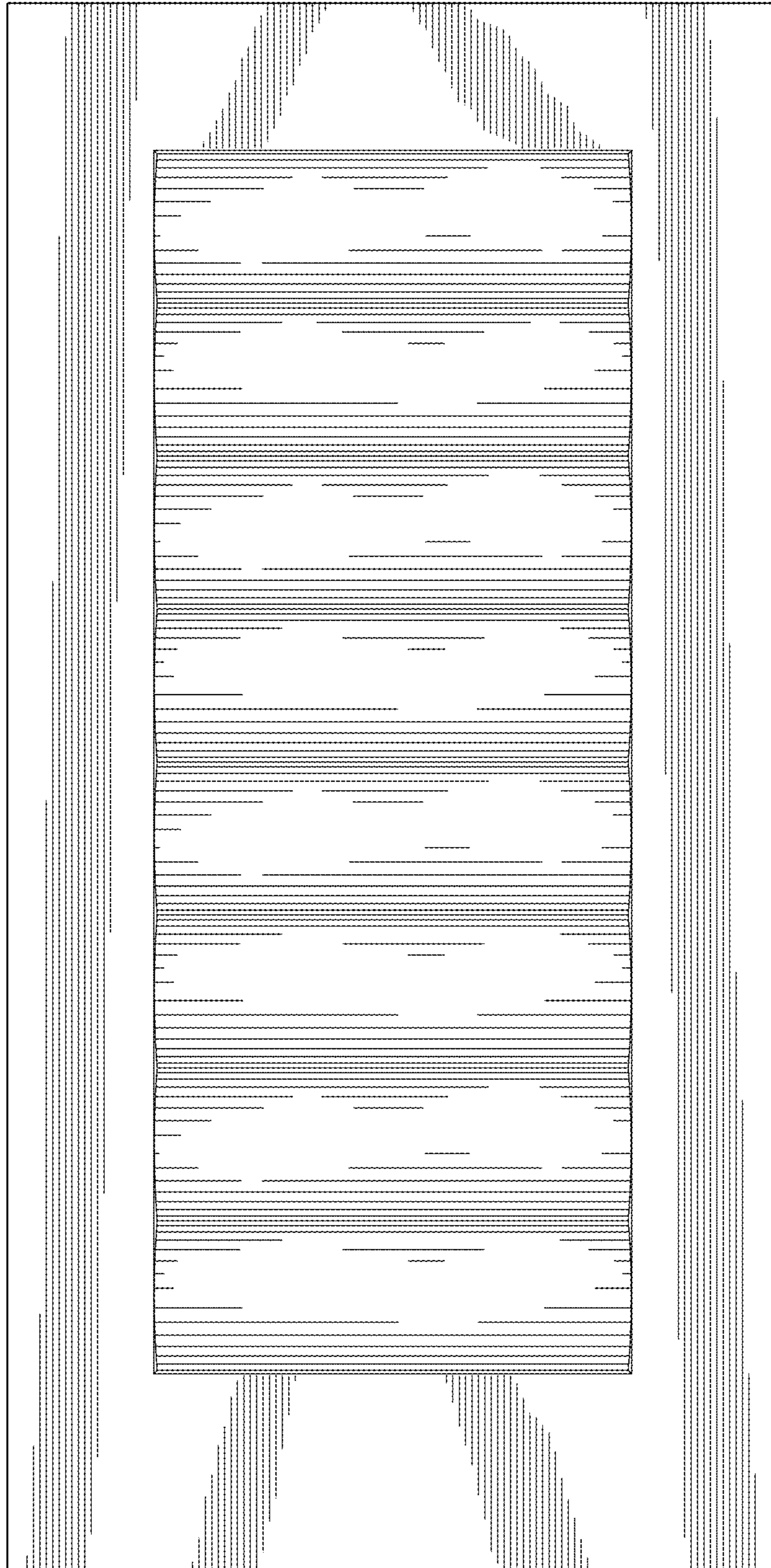


Fig. 17

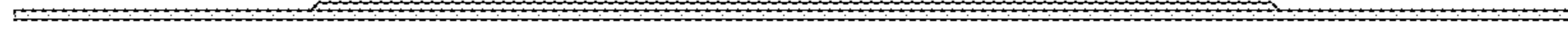


Fig. 18

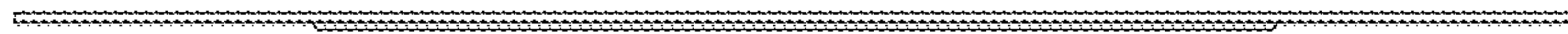


Fig. 19

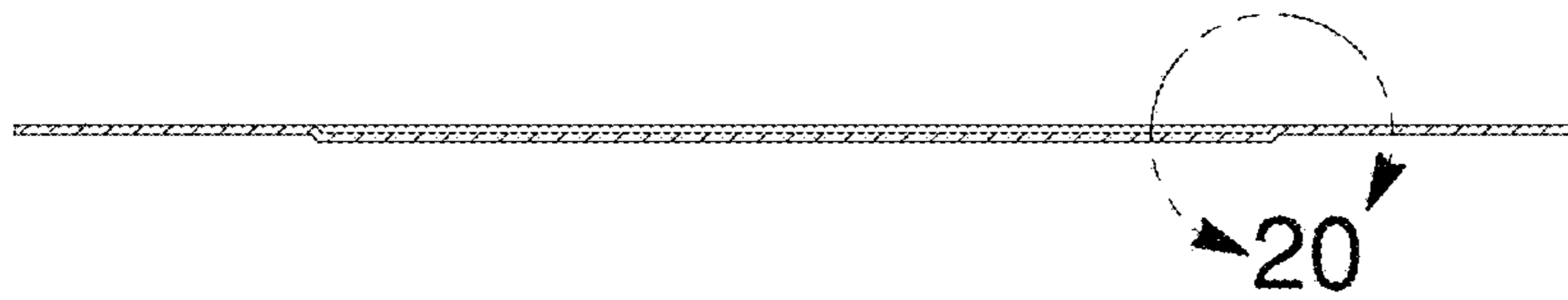


Fig. 20

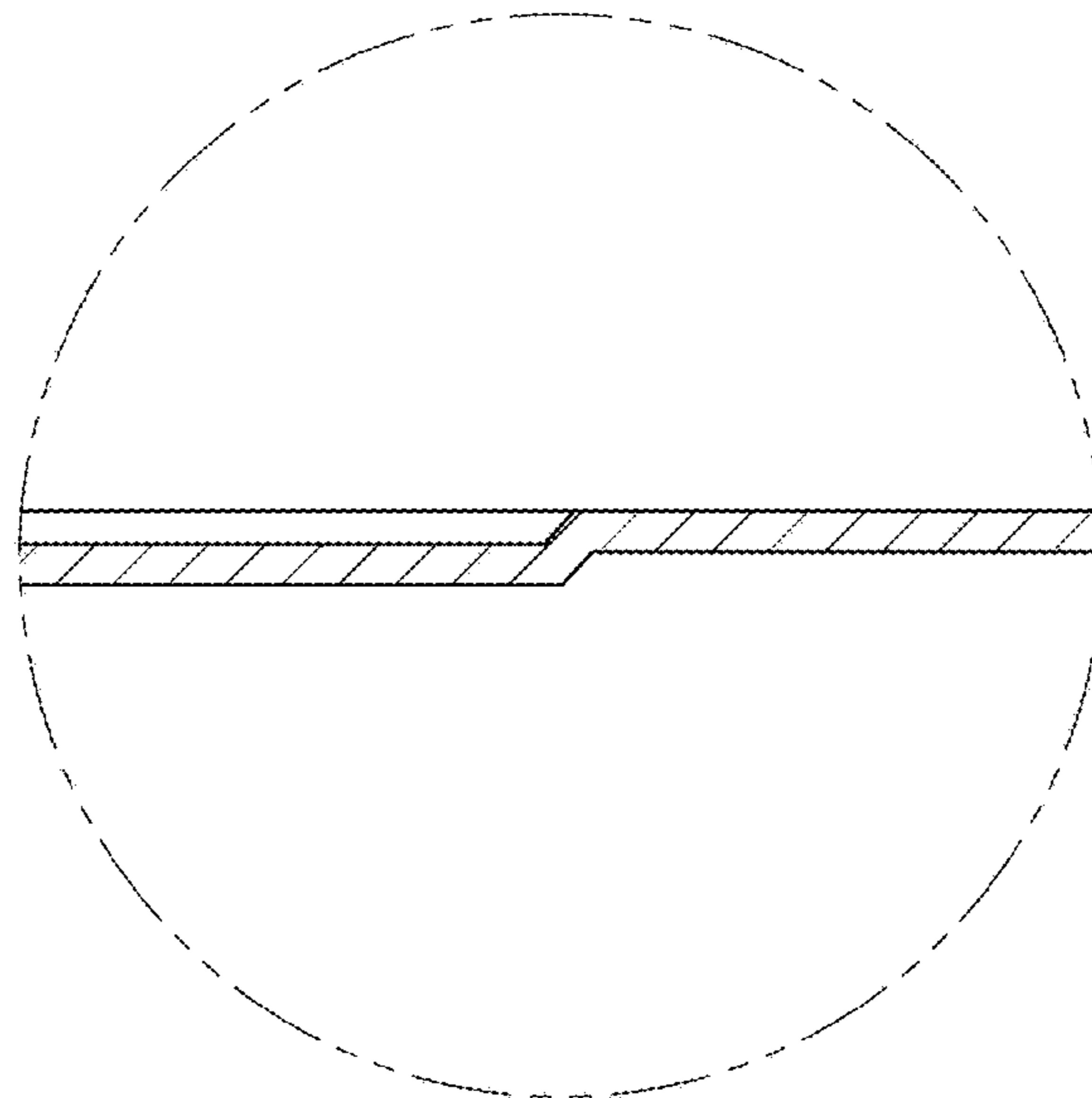


Fig. 21

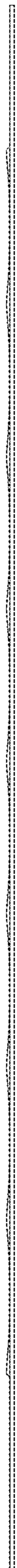


Fig. 22



Fig. 23

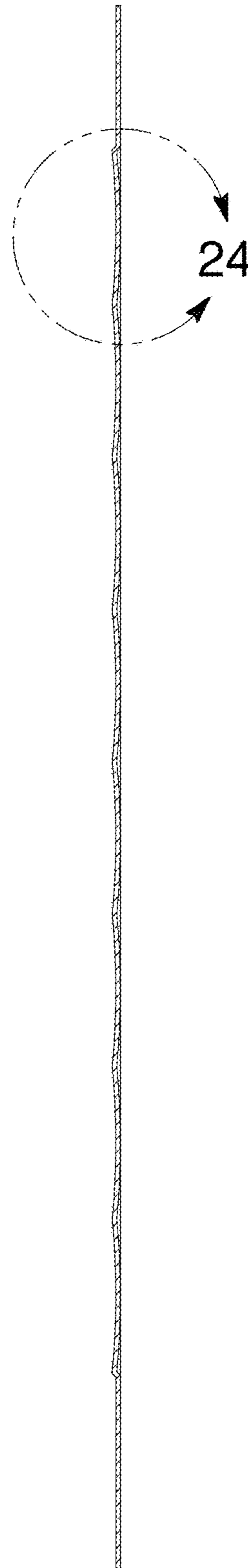


Fig. 24

