



US00D802792S

(12) **United States Design Patent** (10) **Patent No.:** **US D802,792 S**  
**Nettles** (45) **Date of Patent:** **\*\* Nov. 14, 2017**

- (54) **EROSION BARRIER**
- (71) Applicant: **Deron Nettles**, Mount Pleasant, SC (US)
- (72) Inventor: **Deron Nettles**, Mount Pleasant, SC (US)
- (\*\*) Term: **15 Years**
- (21) Appl. No.: **29/547,787**
- (22) Filed: **Dec. 8, 2015**
- (51) **LOC (10) Cl.** ..... **25-02**
- (52) **U.S. Cl.**  
USPC ..... **D25/38.1**
- (58) **Field of Classification Search**  
USPC ..... D25/38.1, 42; 405/16, 21, 25  
CPC .... E01F 7/00; E01F 7/04; E01F 7/045; E02B 3/04; E02B 3/06; E02B 3/066; E02B 15/06; E02B 7/02; E02B 8/00  
See application file for complete search history.

(56) **References Cited**

**U.S. PATENT DOCUMENTS**

- 2,659,168 A \* 11/1953 Kaplan ..... E06B 11/02 49/381
- D257,811 S \* 1/1981 Ball ..... D25/38.1
- 5,050,846 A \* 9/1991 Goodman ..... E01F 13/028 256/1
- D486,240 S \* 2/2004 Collins ..... D25/38.1
- D748,283 S \* 1/2016 Nettles ..... D25/38.1
- 2007/0194293 A1 \* 8/2007 Edens ..... A01K 3/005 256/19
- 2013/0048227 A1 \* 2/2013 Cannova ..... E01F 13/028 160/10

- 2013/0322966 A1 \* 12/2013 Nettles ..... E02B 3/06 405/21
- 2015/0003915 A1 \* 1/2015 Nettles ..... E02B 3/102 405/16
- 2015/0125208 A1 \* 5/2015 Nettles ..... B29C 45/1603 405/25

**OTHER PUBLICATIONS**

<http://islandconnectionnews.com/wave-dissipation-system-approved-state-senate/> Posted Jun. 4, 2014.\*  
<http://islandeyenews.com/saving-the-coast-one-home-at-a-time/> Posted Dec. 10, 2013.\*

\* cited by examiner

*Primary Examiner* — Susan Bennett Hattan  
*Assistant Examiner* — Leanne Was-Englehart  
(74) *Attorney, Agent, or Firm* — Smith Tempel Blaha LLC; Matthew T. Hoots

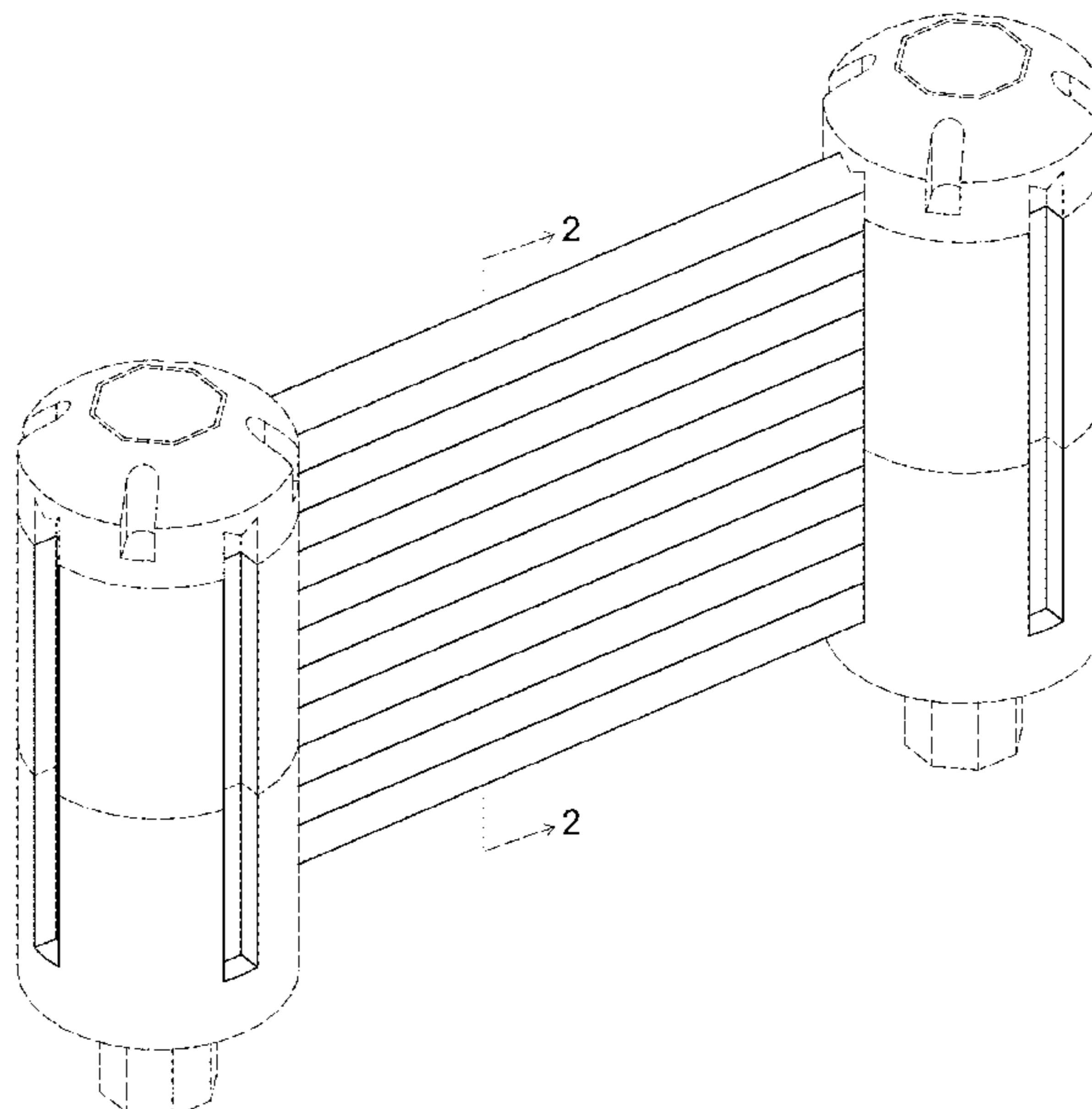
(57) **CLAIM**

The ornamental design for an erosion barrier, as shown and described.

**DESCRIPTION**

FIG. 1 is a top, perspective view of my new ornamental design for an erosion barrier;  
FIG. 2 is an exploded, cross-section view taken along line 2-2 in FIG. 1;  
FIG. 3 is a bottom back-side perspective view of the erosion barrier shown in FIG. 1;  
FIG. 4 is a back-side plan view of the erosion barrier shown in FIG. 1;  
FIG. 5 is a top view of the erosion barrier shown in FIG. 1;  
FIG. 6 is a bottom view of the erosion barrier shown in FIG. 1; and,  
FIG. 7 is a left-side and right-side plan view of the erosion barrier shown in FIG. 1.  
The broken lines in the drawing and depict portions of the erosion barrier that form no part of the claimed design.

**1 Claim, 6 Drawing Sheets**



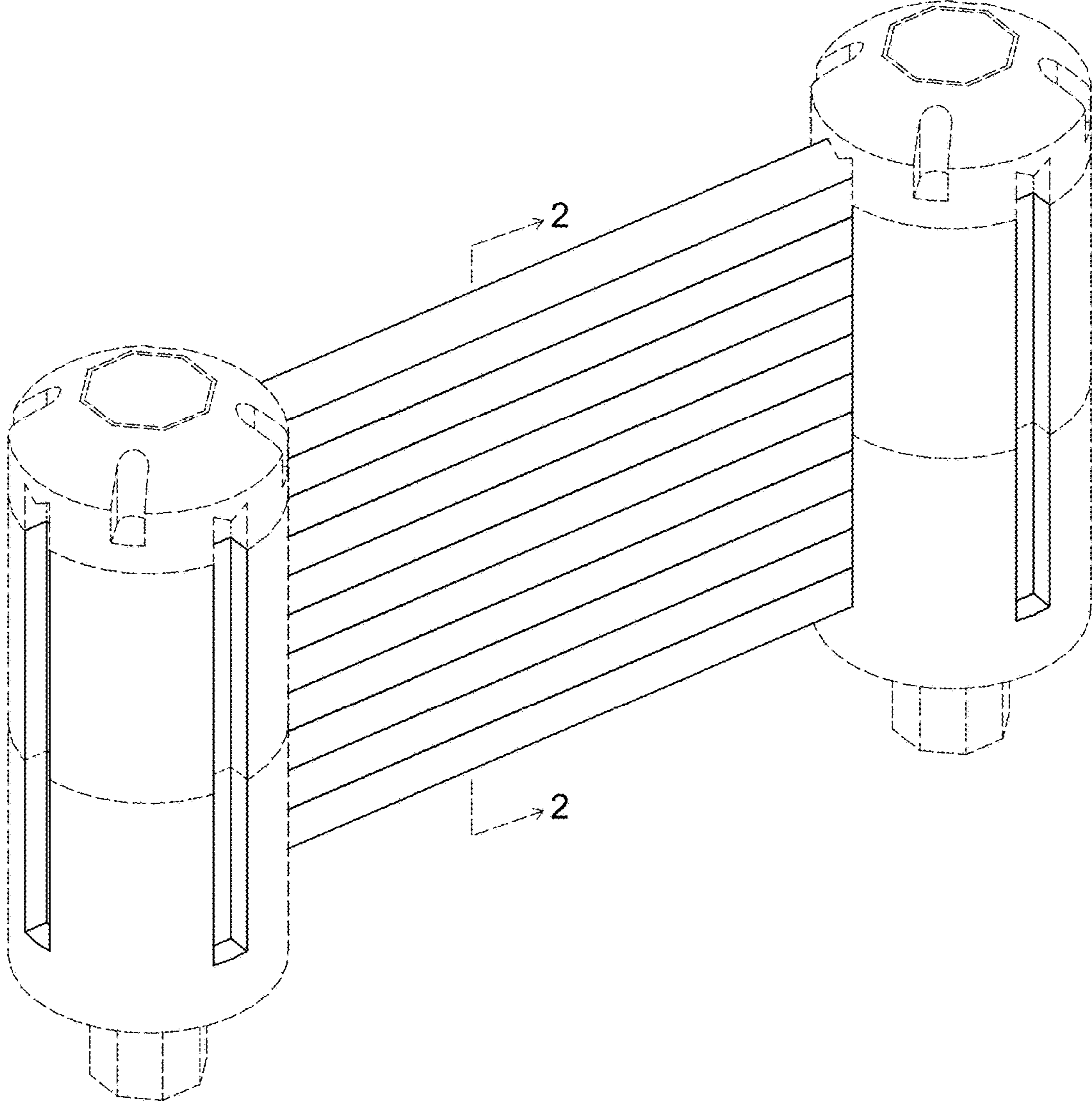


FIG. 1

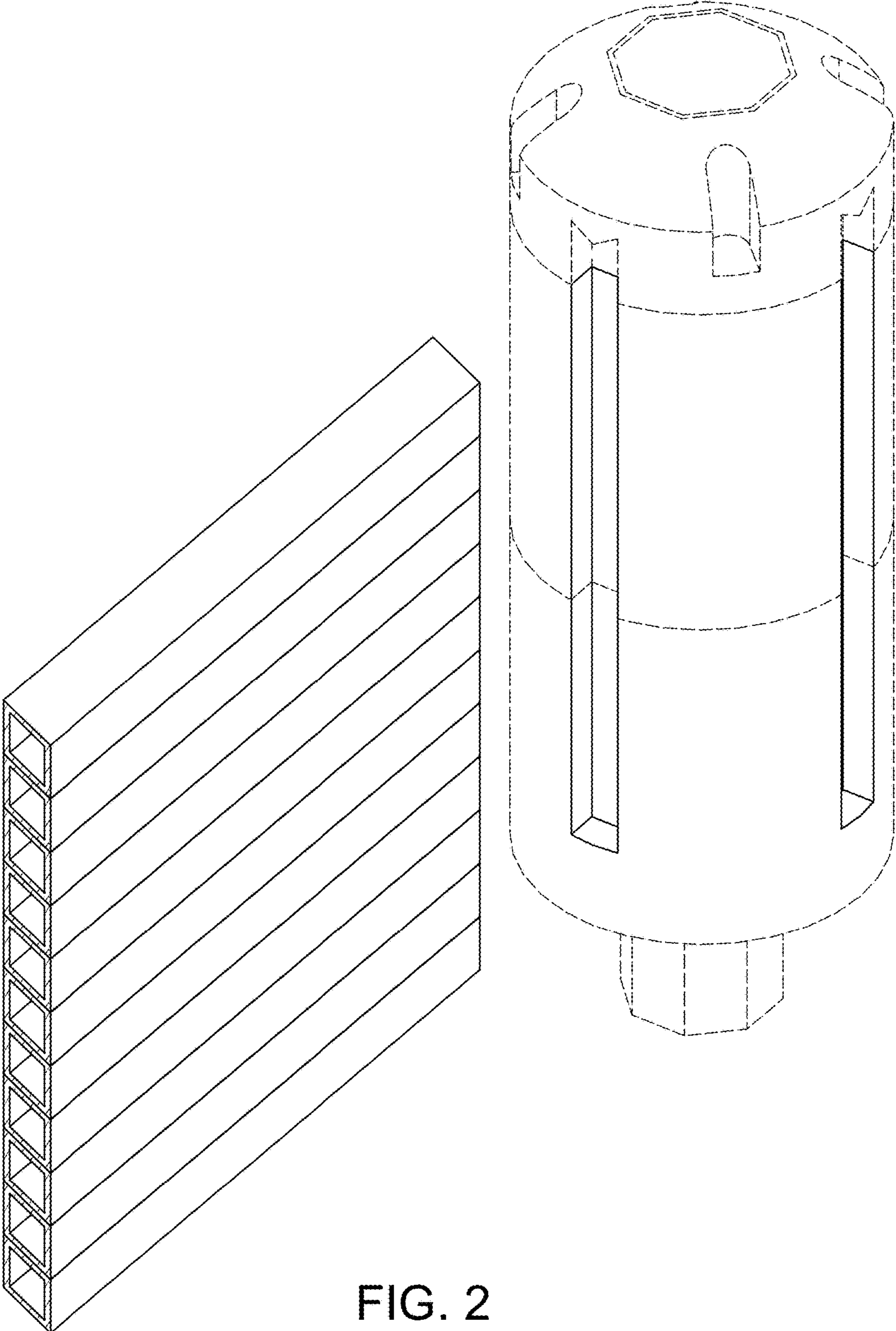


FIG. 2

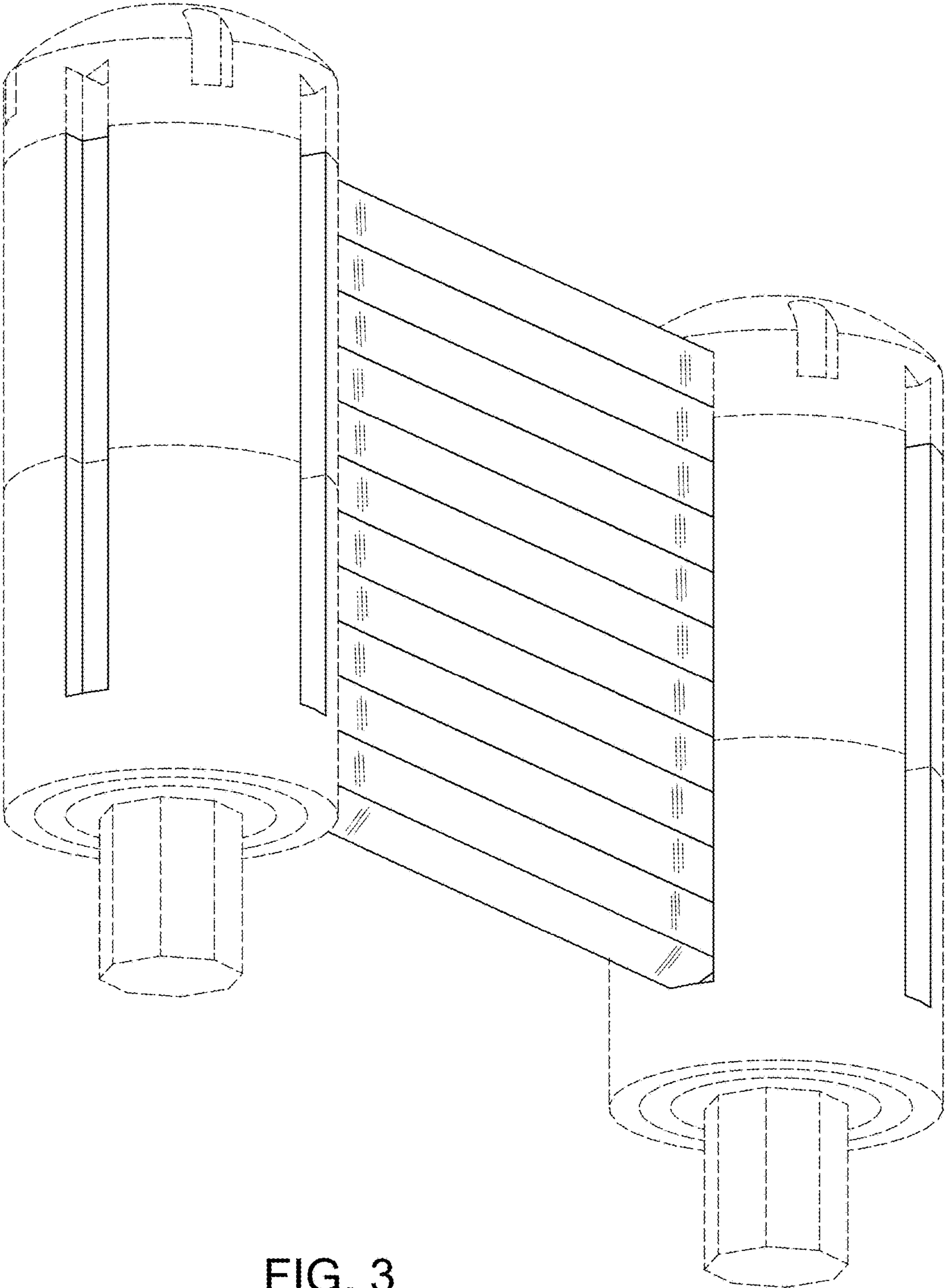


FIG. 3

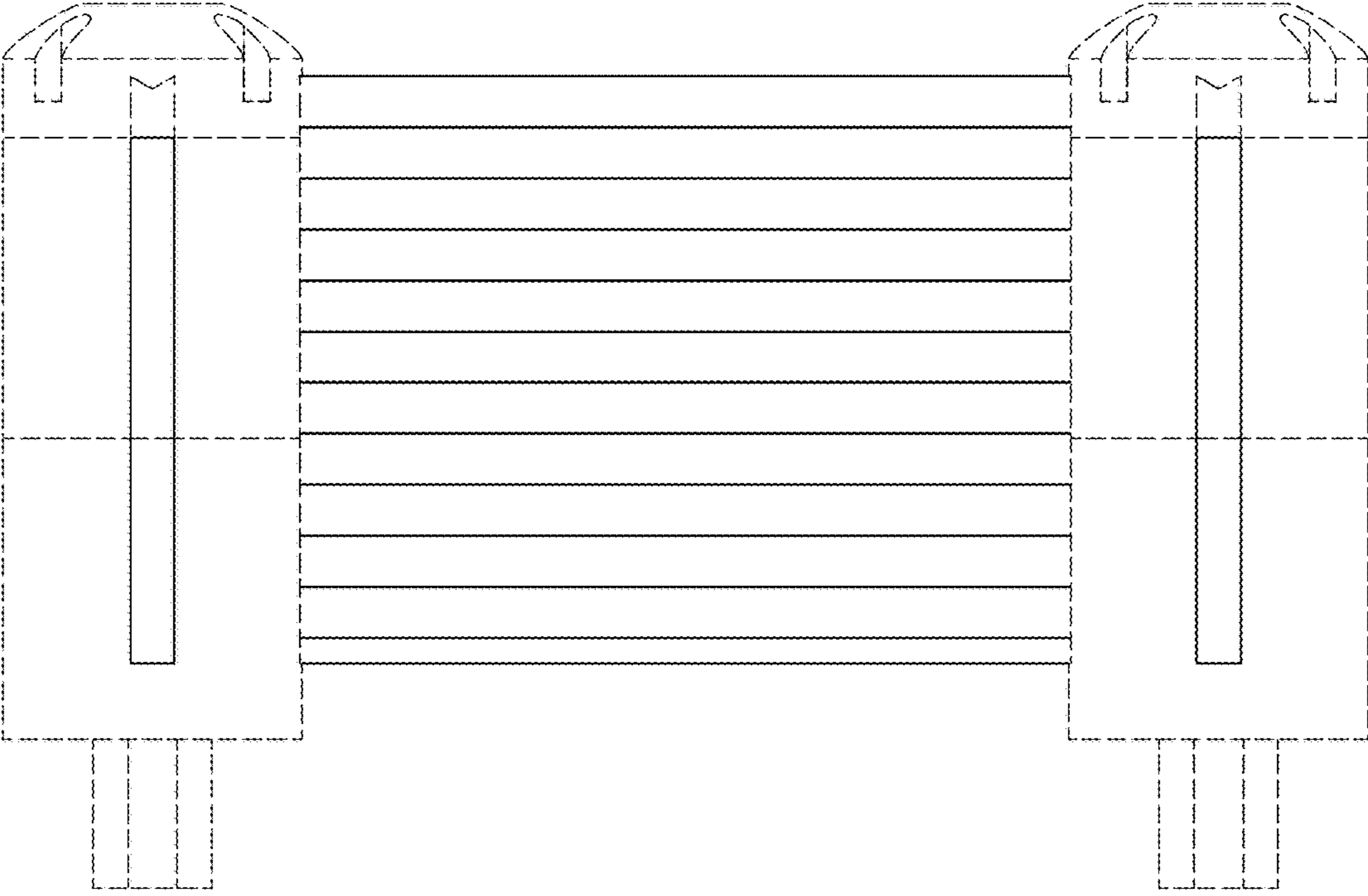


FIG. 4

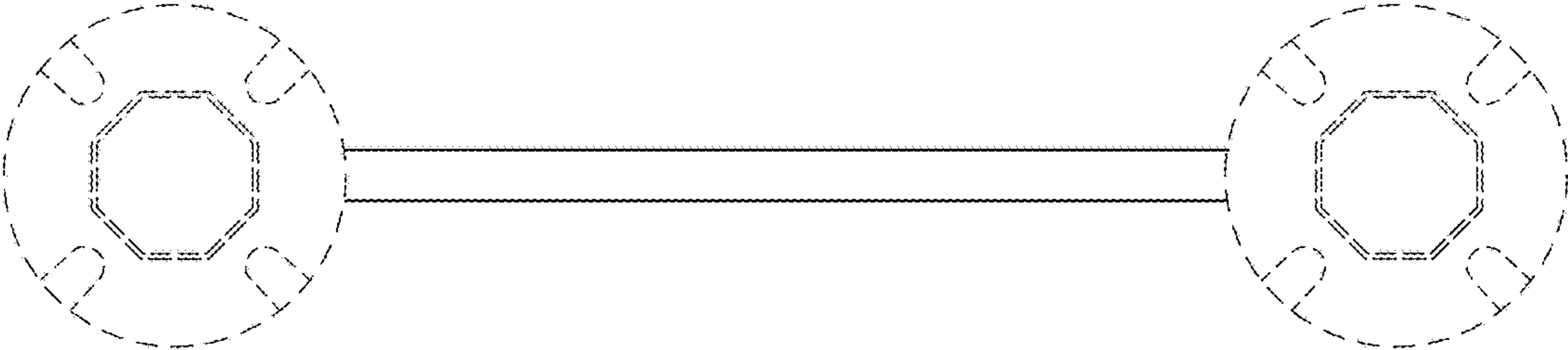


FIG. 5

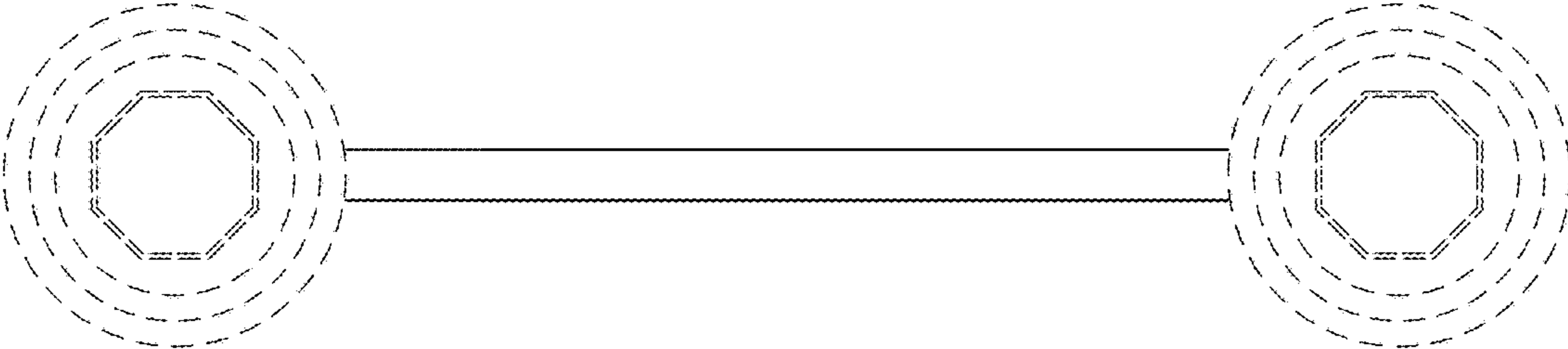


FIG. 6

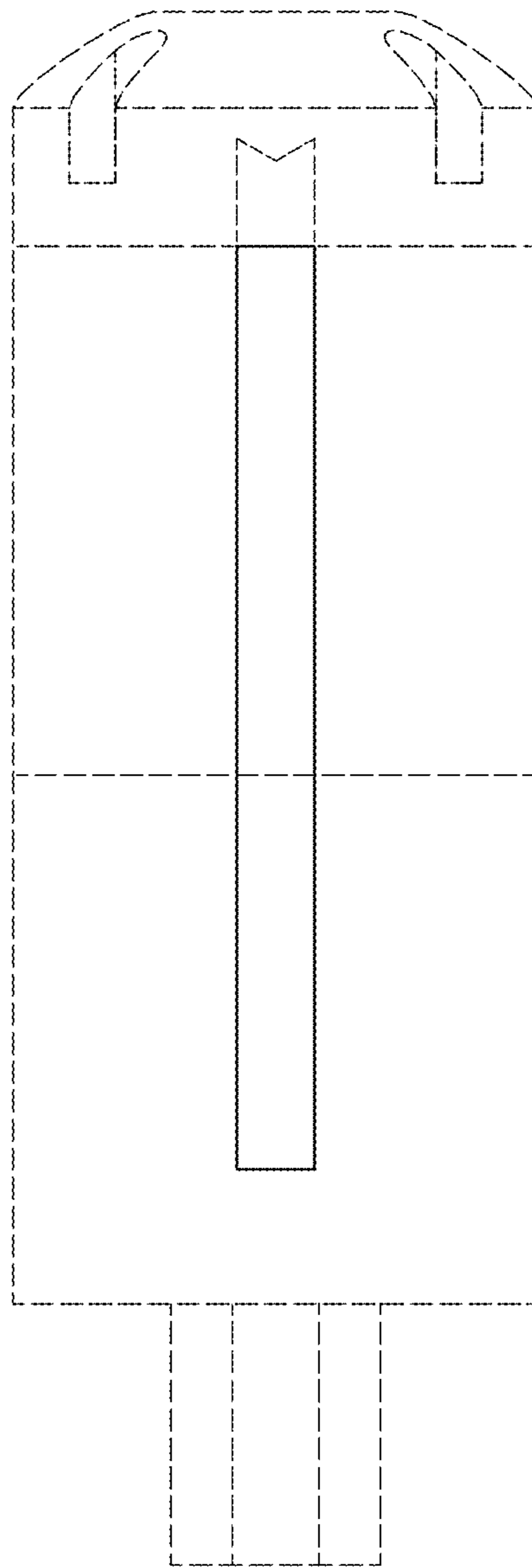


FIG. 7