



US00D802791S

(12) **United States Design Patent** (10) **Patent No.:** **US D802,791 S**
Goble (45) **Date of Patent:** **** Nov. 14, 2017**

(54) **PREFABRICATED HOME**

(71) Applicant: **Up Homes, LLC**, New Paltz, NY (US)

(72) Inventor: **Blake Goble**, Brooklyn, NY (US)

(73) Assignee: **UP HOMES CO.**, New Paltz, NY (US)

(**) Term: **15 Years**

(21) Appl. No.: **29/555,568**

(22) Filed: **Feb. 23, 2016**

(51) **LOC (10) Cl.** **25-03**

(52) **U.S. Cl.**
USPC **D25/28**

(58) **Field of Classification Search**
USPC D25/1-34, 56
CPC ... B23P 17/04; B60N 3/06; B65D 6/00; E04B
1/99; E04B 1/343; E04H 3/14; F24H 9/06
See application file for complete search history.

(56) **References Cited**

U.S. PATENT DOCUMENTS

D504,519 S *	4/2005	Wehner	D25/1
D622,408 S *	8/2010	Leonard	D25/16
D638,551 S *	5/2011	Gann	D25/16
D641,090 S *	7/2011	Clark	D25/16
D662,222 S *	6/2012	Donnelly	D25/33
D664,667 S *	7/2012	Krymov	D25/16
D726,332 S *	4/2015	Barbosa	D25/16
D726,333 S *	4/2015	Bogan	D25/16
D731,077 S *	6/2015	Lehmann	D25/16
D732,690 S *	6/2015	Lehmann	D25/16
D732,691 S *	6/2015	Hallfors	D25/16

(Continued)

OTHER PUBLICATIONS

“Different types of roofs” Feb. 10, 2014. CCD Engineering Ltd.
<https://ciprianicharlesdesigns.wordpress.com/2014/02/10/different-types-of-roofs/>.*

(Continued)

Primary Examiner — Manpreet Matharu

Assistant Examiner — Suzanne Tisdell

(74) *Attorney, Agent, or Firm* — Erik Huestis; Foley Hoag LLP

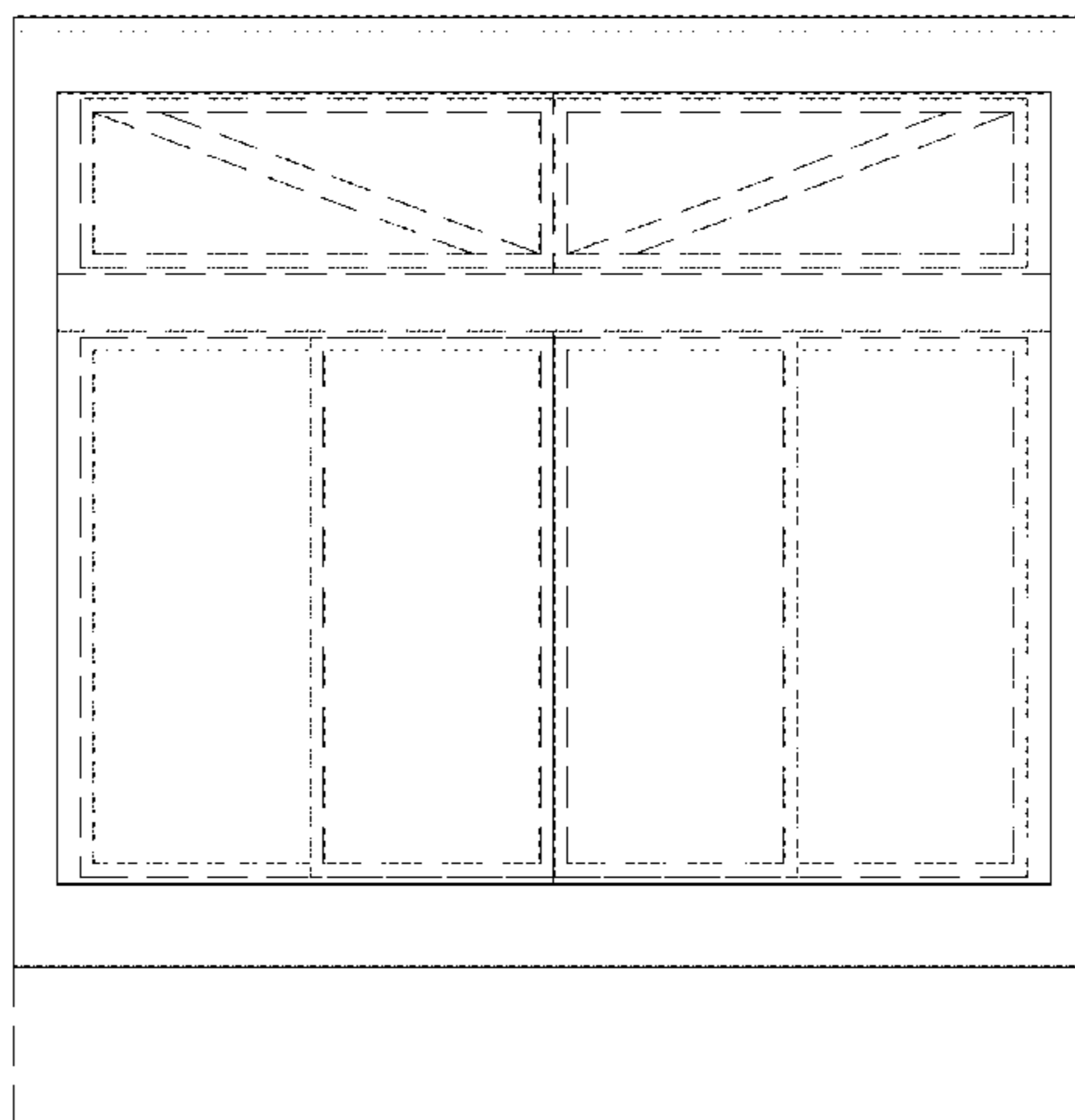
(57) **CLAIM**

The ornamental design for a prefabricated home, as shown and described.

DESCRIPTION

FIG. 1 is a front view of a first embodiment of a prefabricated home;
FIG. 2 is a left side view of the first embodiment of a prefabricated home;
FIG. 3 is a right side view of the first embodiment of a prefabricated home;
FIG. 4 is a back view of the first embodiment of a prefabricated home;
FIG. 5 is a top view of the first embodiment of a prefabricated home;
FIG. 6 is a perspective view of the first embodiment of a prefabricated home;
FIG. 7 is a front view of a second embodiment of a prefabricated home;
FIG. 8 is a left side view of the second embodiment of a prefabricated home;
FIG. 9 is a right side view of the second embodiment of a prefabricated home;
FIG. 10 is a back view of the second embodiment of a prefabricated home;
FIG. 11 is a top view of the second embodiment of a prefabricated home;
FIG. 12 is a perspective view of the second embodiment of a prefabricated home; and,
FIGS. 13-17 are perspective views of exemplary arrangements of the first embodiment of a prefabricated home.
The broken lines in the figures represent environmental structure and form no part of the claimed design.

1 Claim, 17 Drawing Sheets



(56)

References Cited

U.S. PATENT DOCUMENTS

D734,491 S * 7/2015 Krymov D25/16
D734,493 S * 7/2015 Baldwin D25/22
D735,353 S * 7/2015 Kent D25/33
D736,950 S * 8/2015 Dar D25/16
D768,874 S * 10/2016 Walter D25/16
D774,208 S * 12/2016 Kasanen D25/13
D777,344 S * 1/2017 Hill D21/834
D780,937 S * 3/2017 Barbosa D25/33
2011/0036540 A1* 2/2011 Ahladas H05K 7/20745
165/53
2012/0110827 A1* 5/2012 Doolittle E03F 5/0408
29/527.1
2012/0180403 A1* 7/2012 Kull E04B 1/34321
52/79.1
2014/0047778 A1* 2/2014 DiGregory E04B 1/34384
52/2.25
2014/0326795 A1* 11/2014 Leclerc A61M 21/0094
236/1 C
2015/0315783 A1* 11/2015 Gen G10K 11/168
52/144
2015/0329034 A1* 11/2015 Kim E02F 9/0858
296/75

OTHER PUBLICATIONS

“Architects, Students Refine Emergency Shelter Design.” Aug. 13, 2013. University of Alaska Anchorage. <http://greenandgold.uaa.alaska.edu/blog/17512/architects-students-refine-emergency-shelter-design/>.*

“The Sidebreeze House.” Dec. 6, 2016. 24hPlans. <http://www.24hplans.com/top-15-prefab-home-design-ideas-and-costs/>.*

* cited by examiner

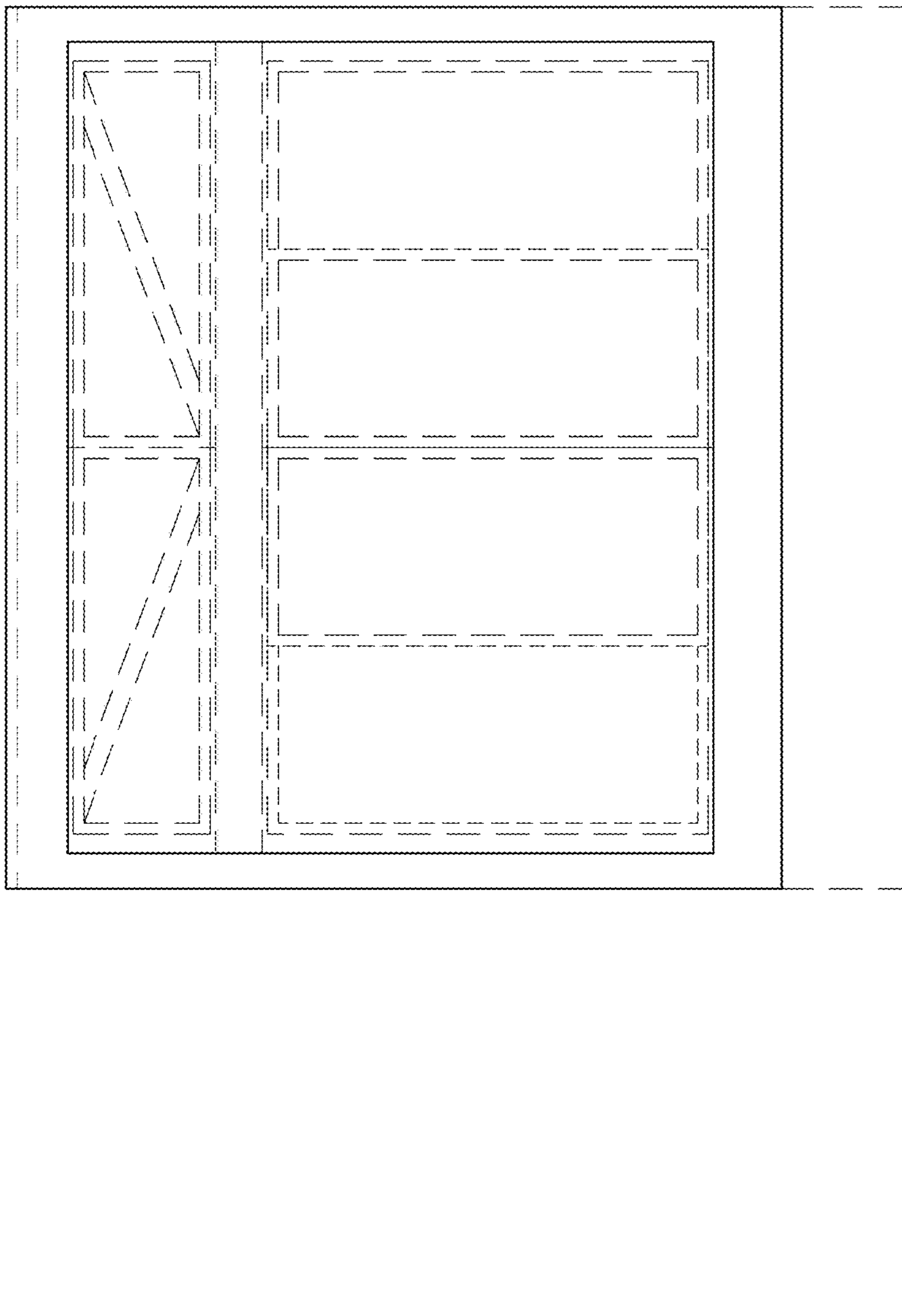


FIG. 1

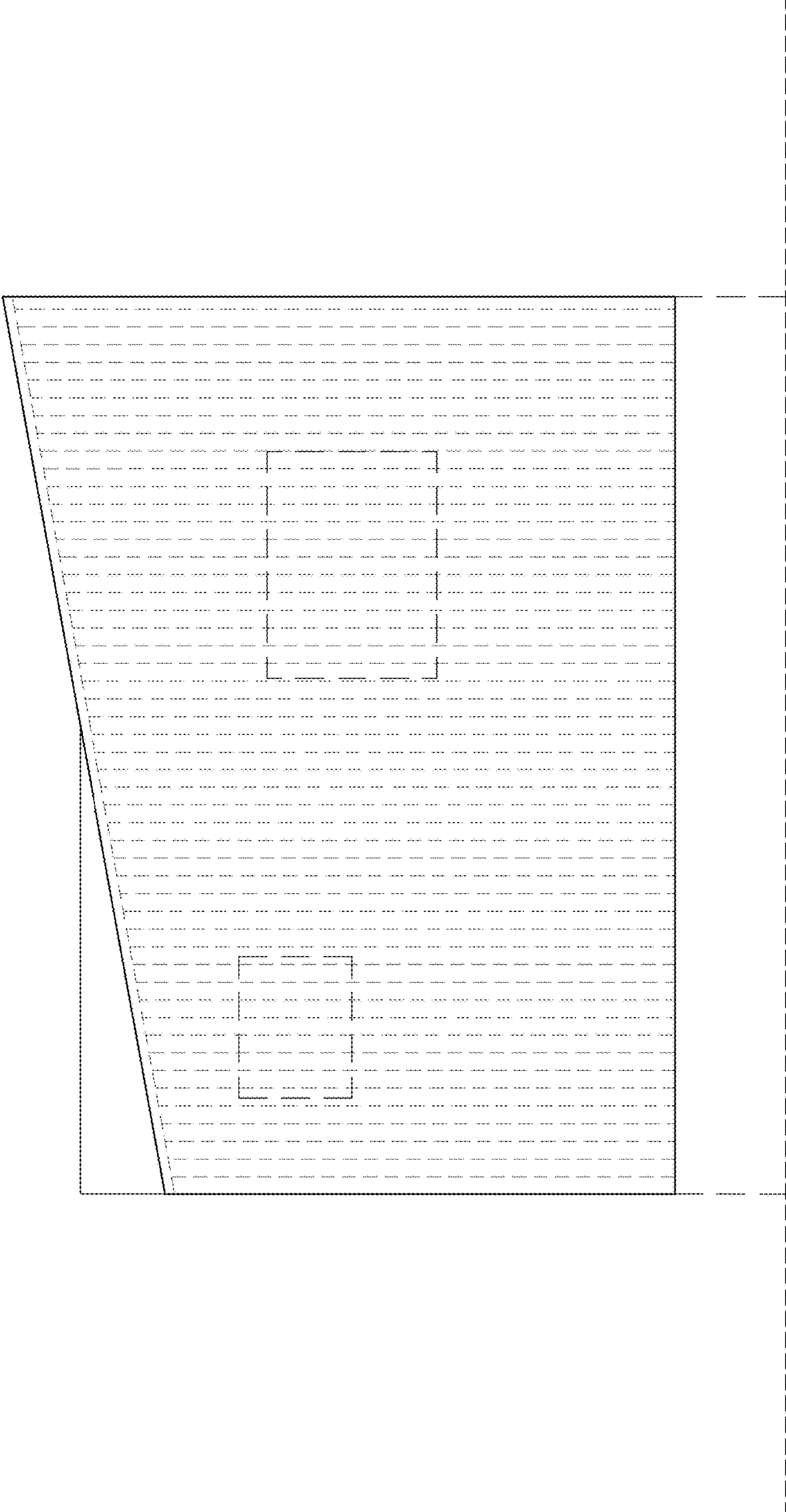


FIG. 2

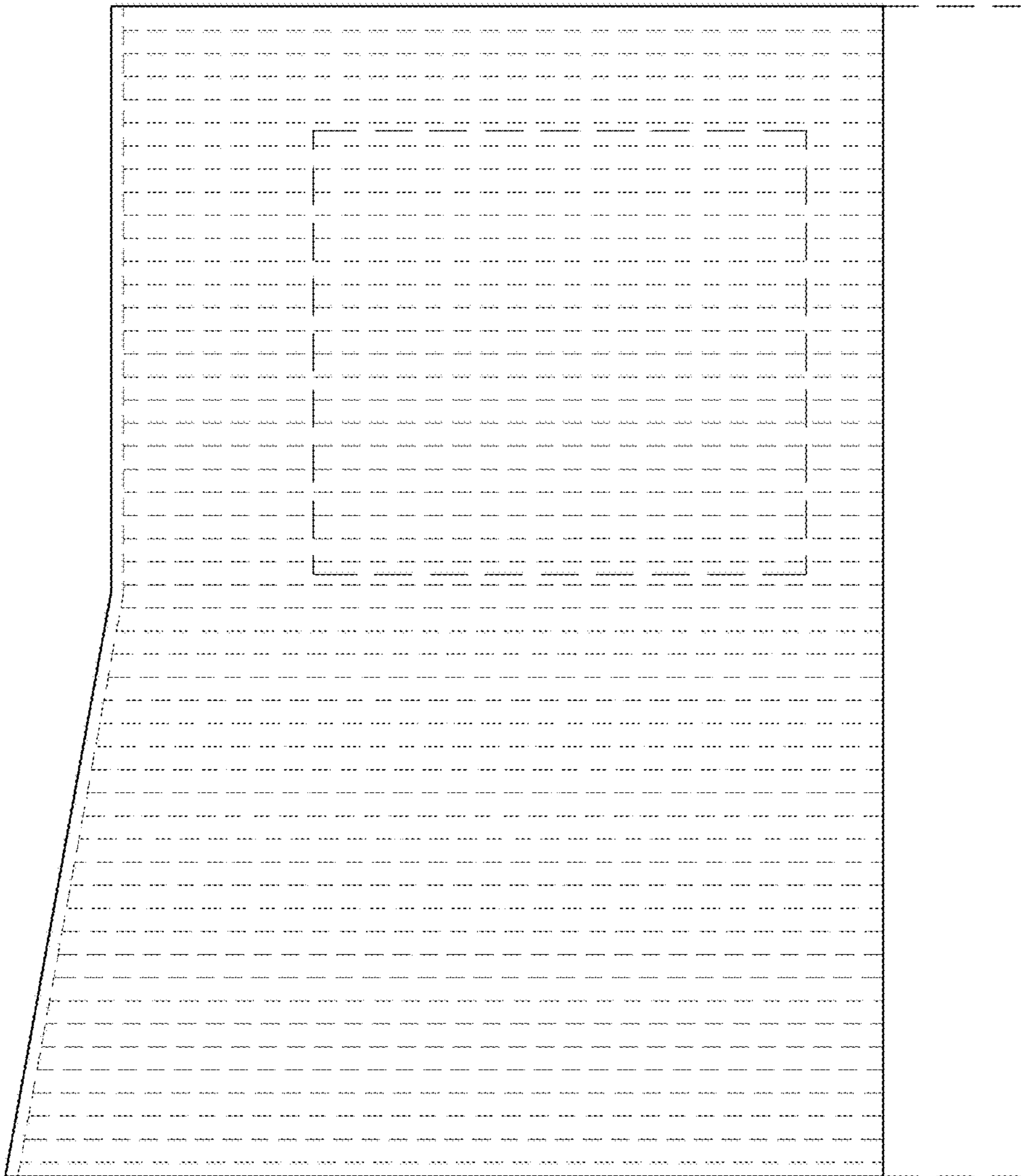


FIG. 3

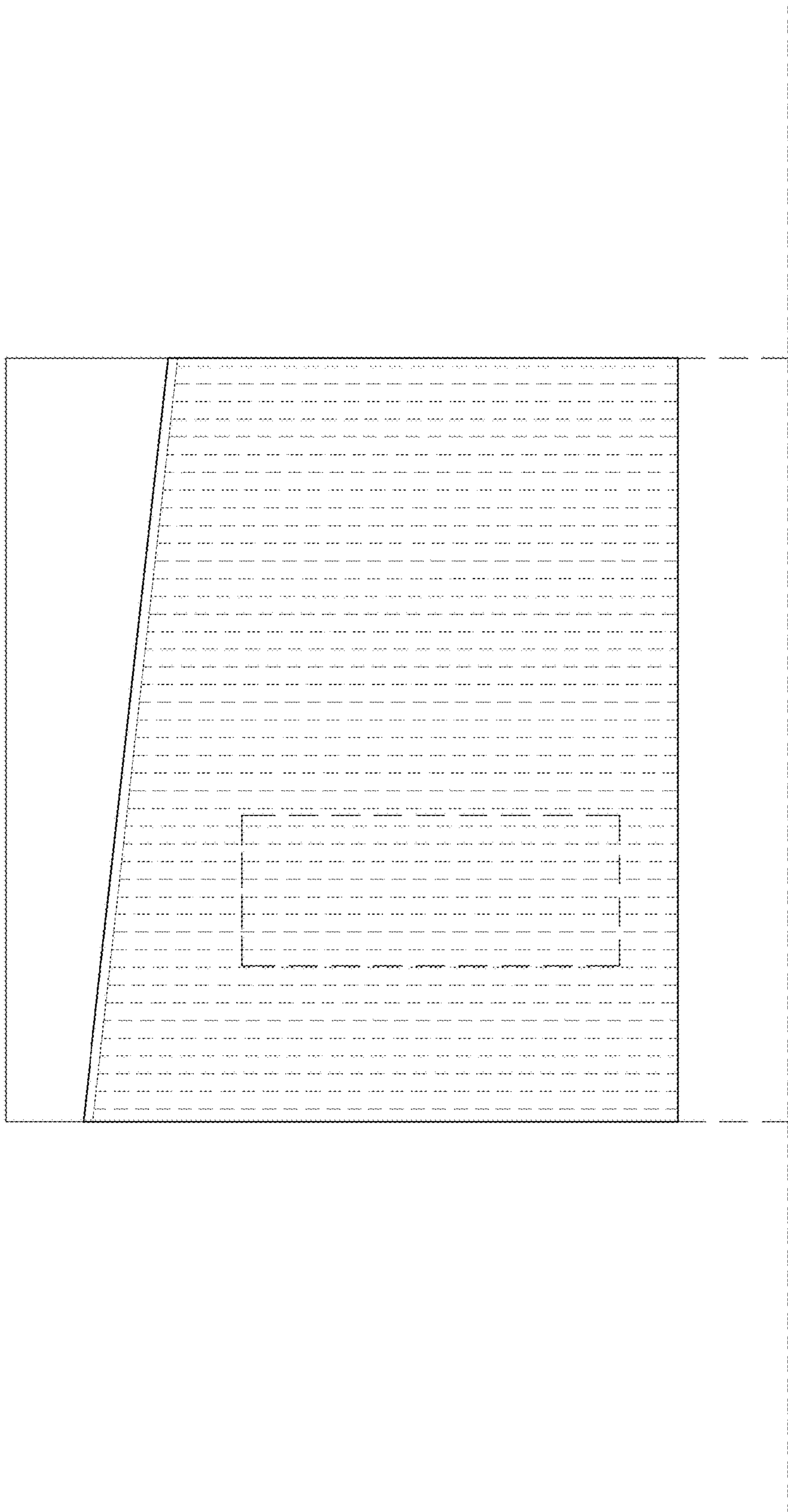


FIG. 4

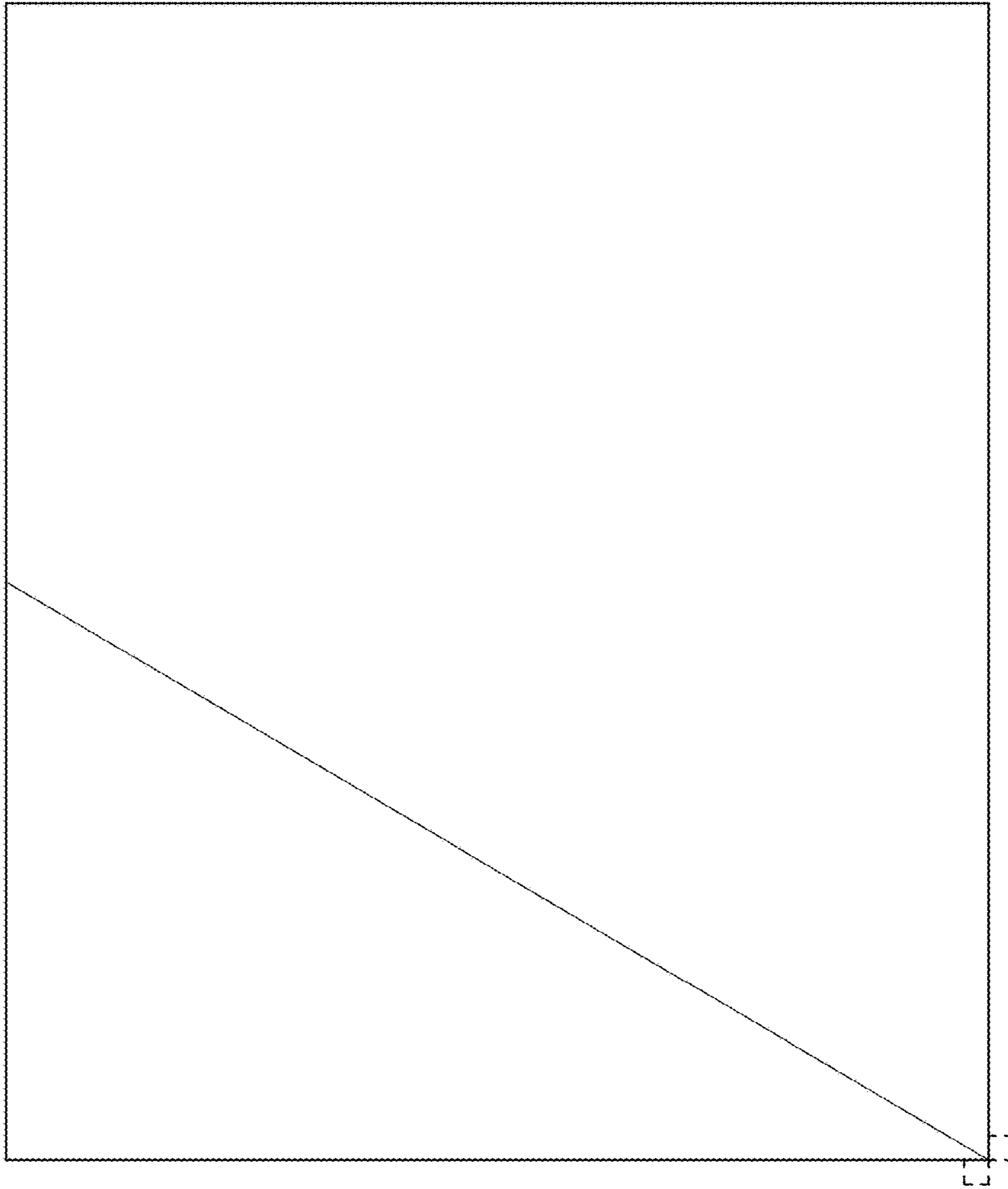


FIG. 5

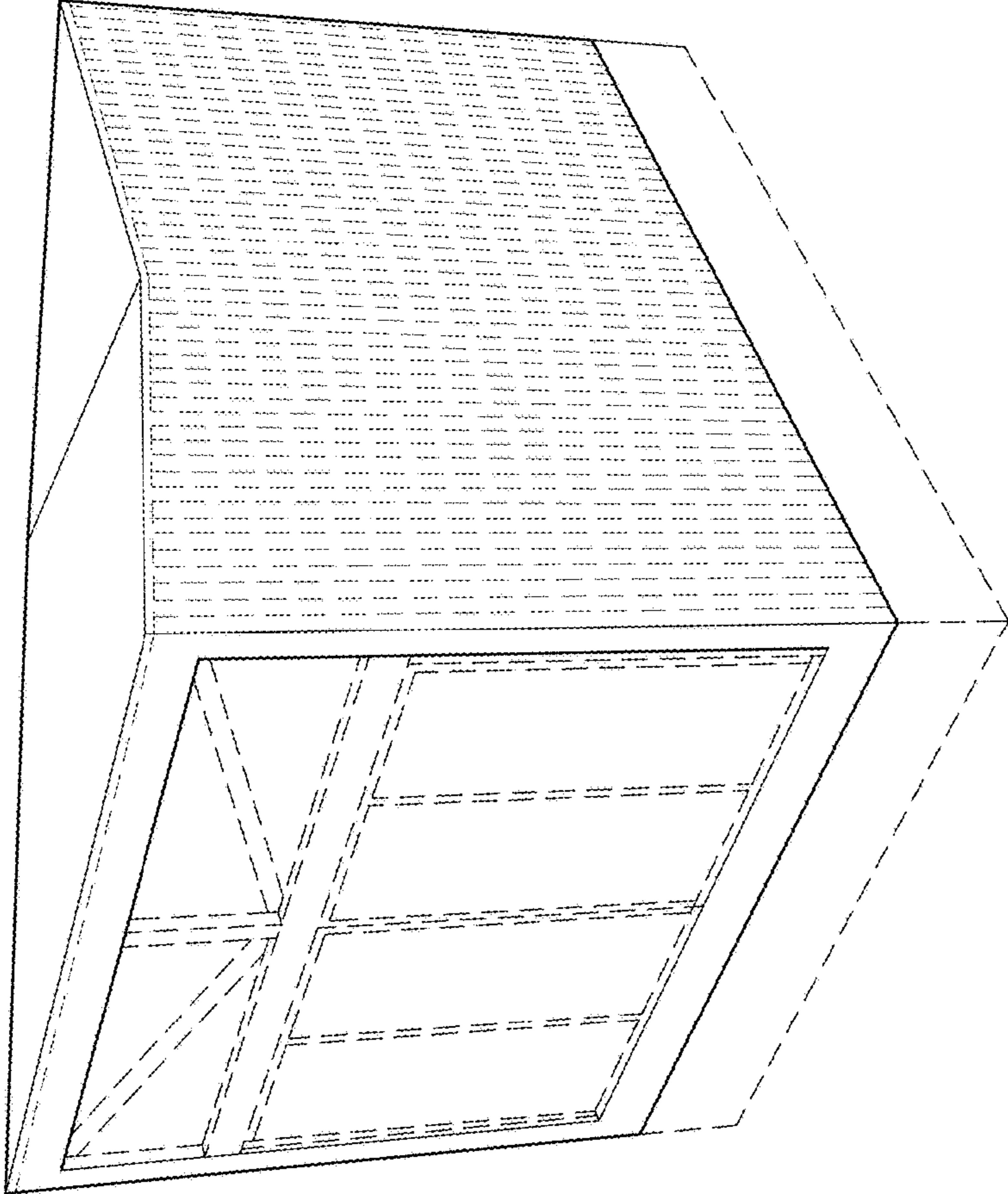


FIG. 6

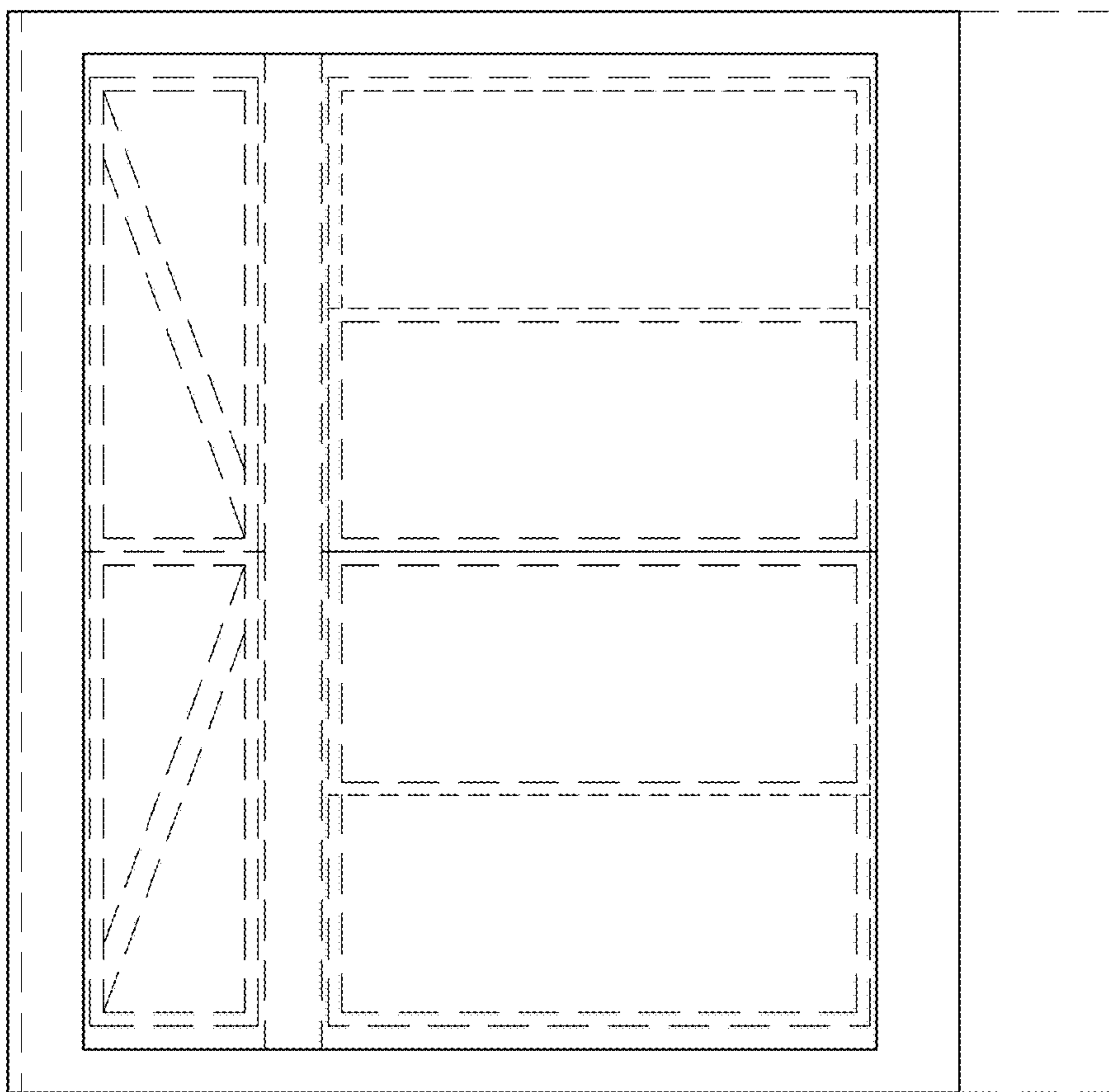


FIG. 7

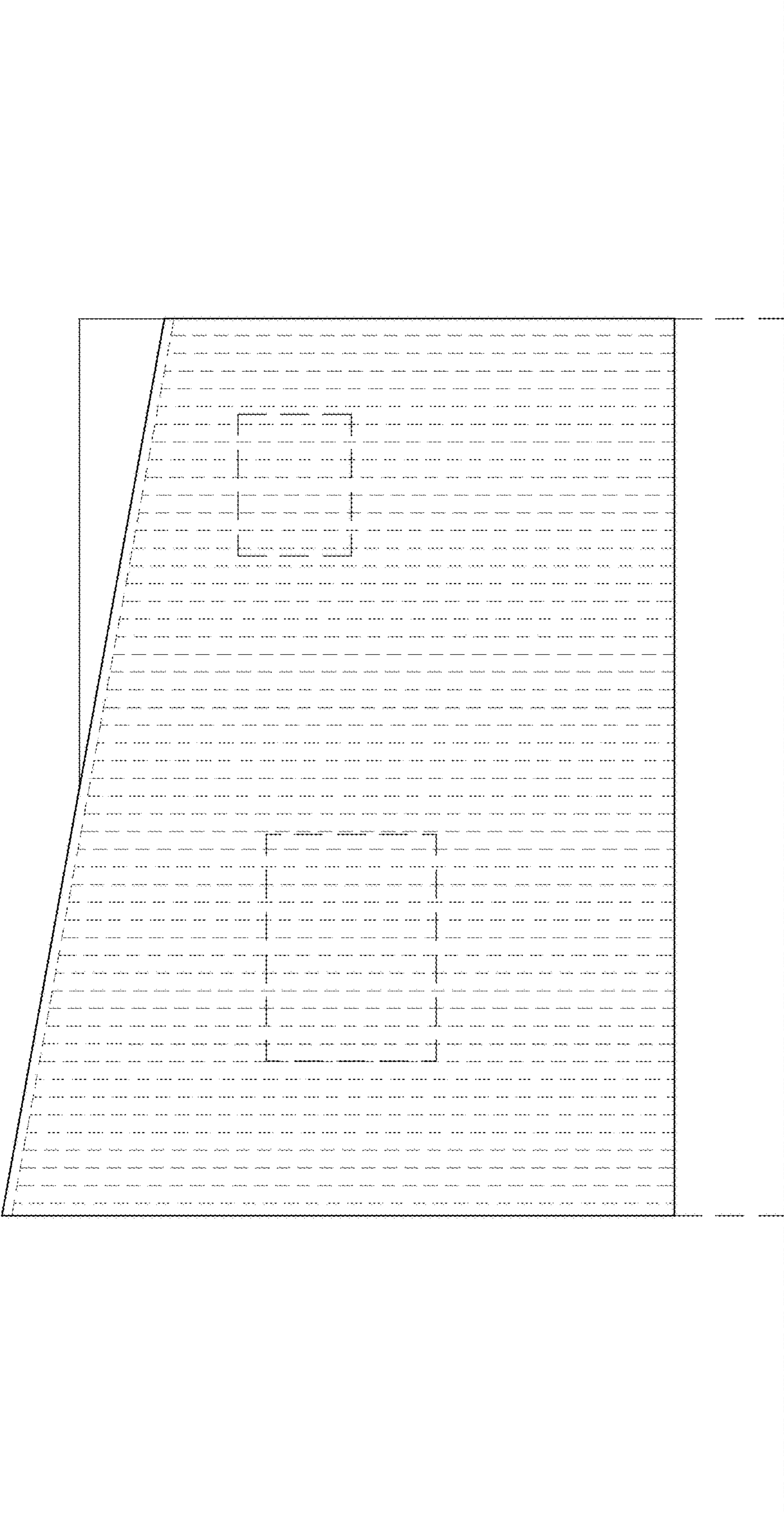


FIG. 8

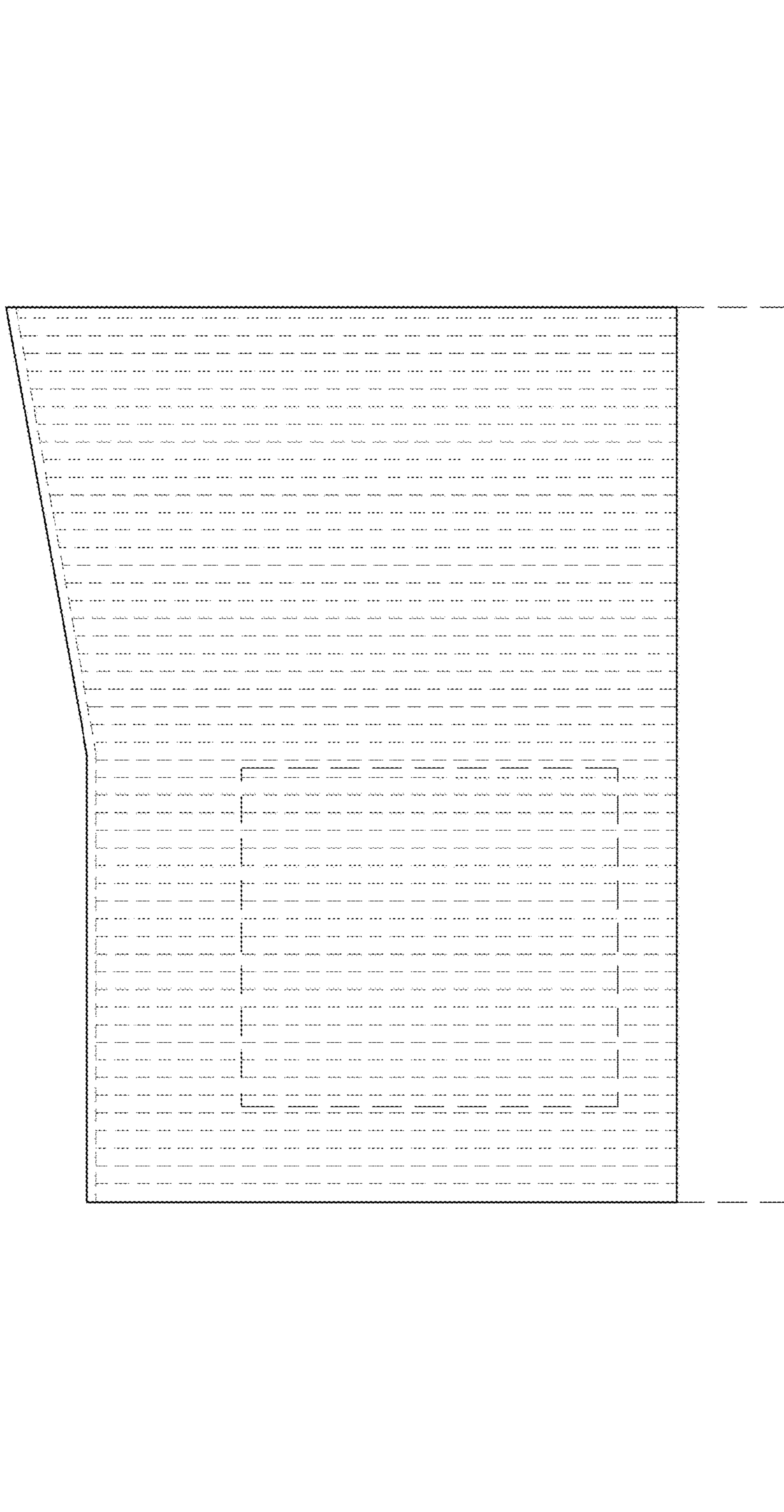


FIG. 9

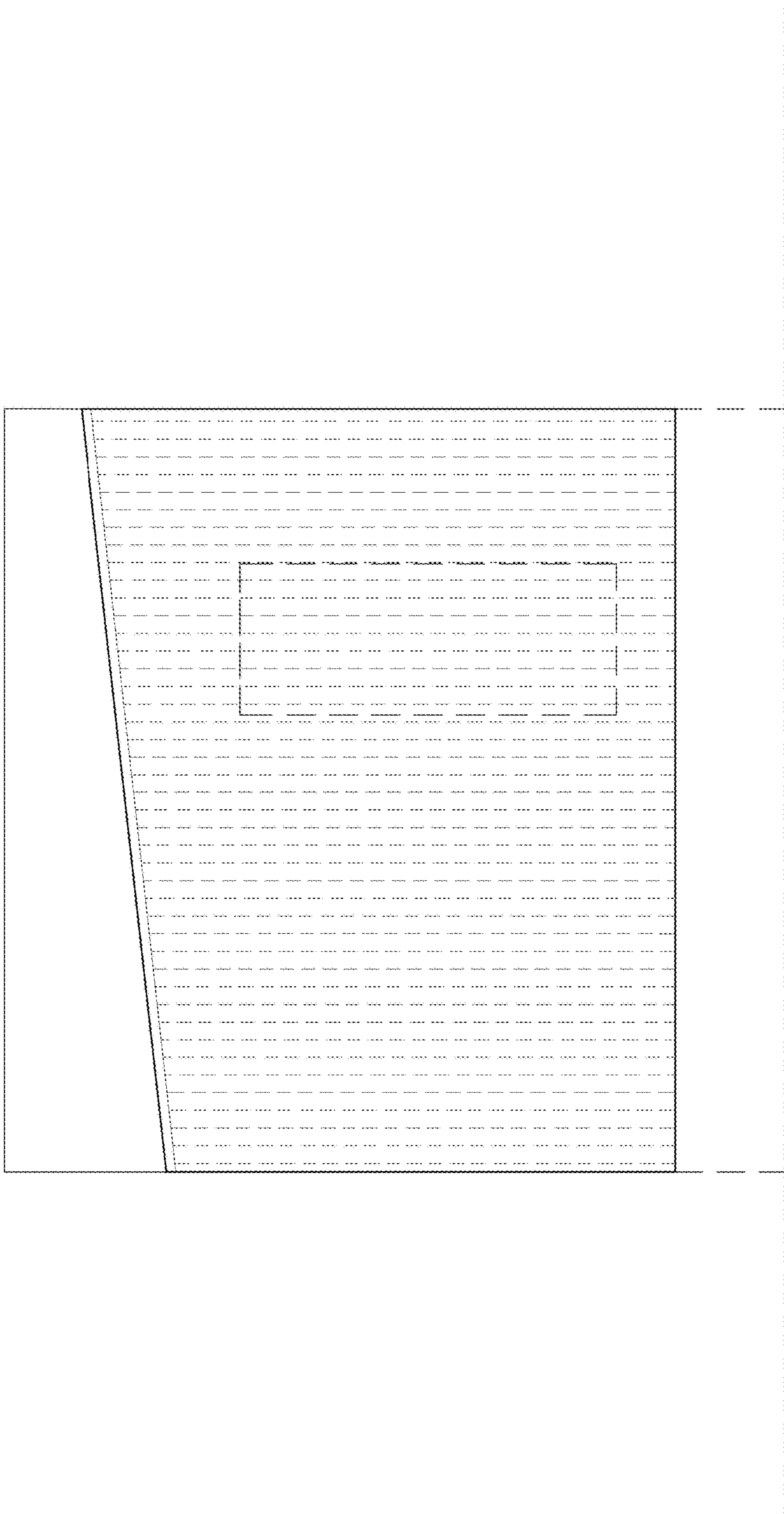


FIG. 10

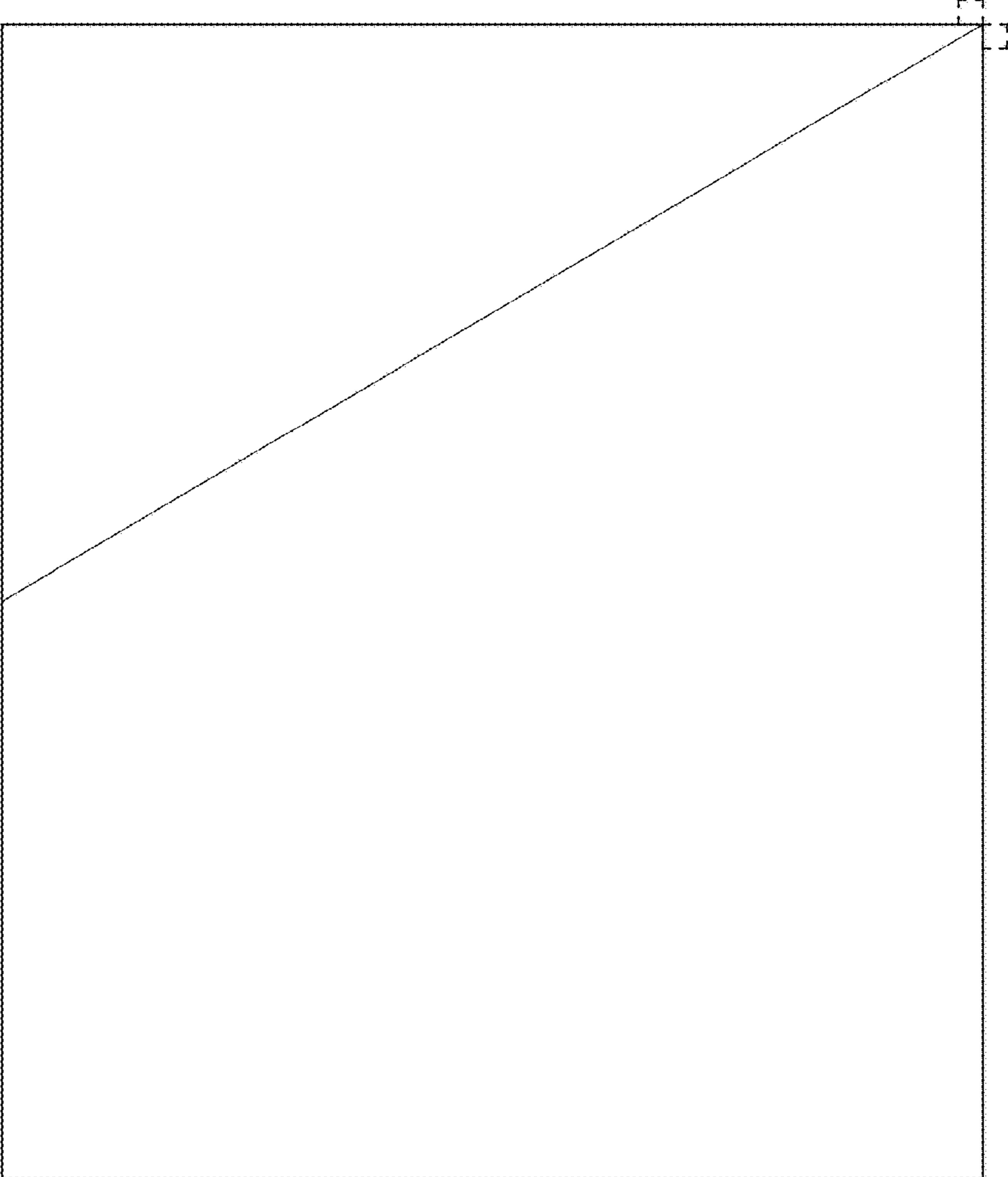


FIG. 11

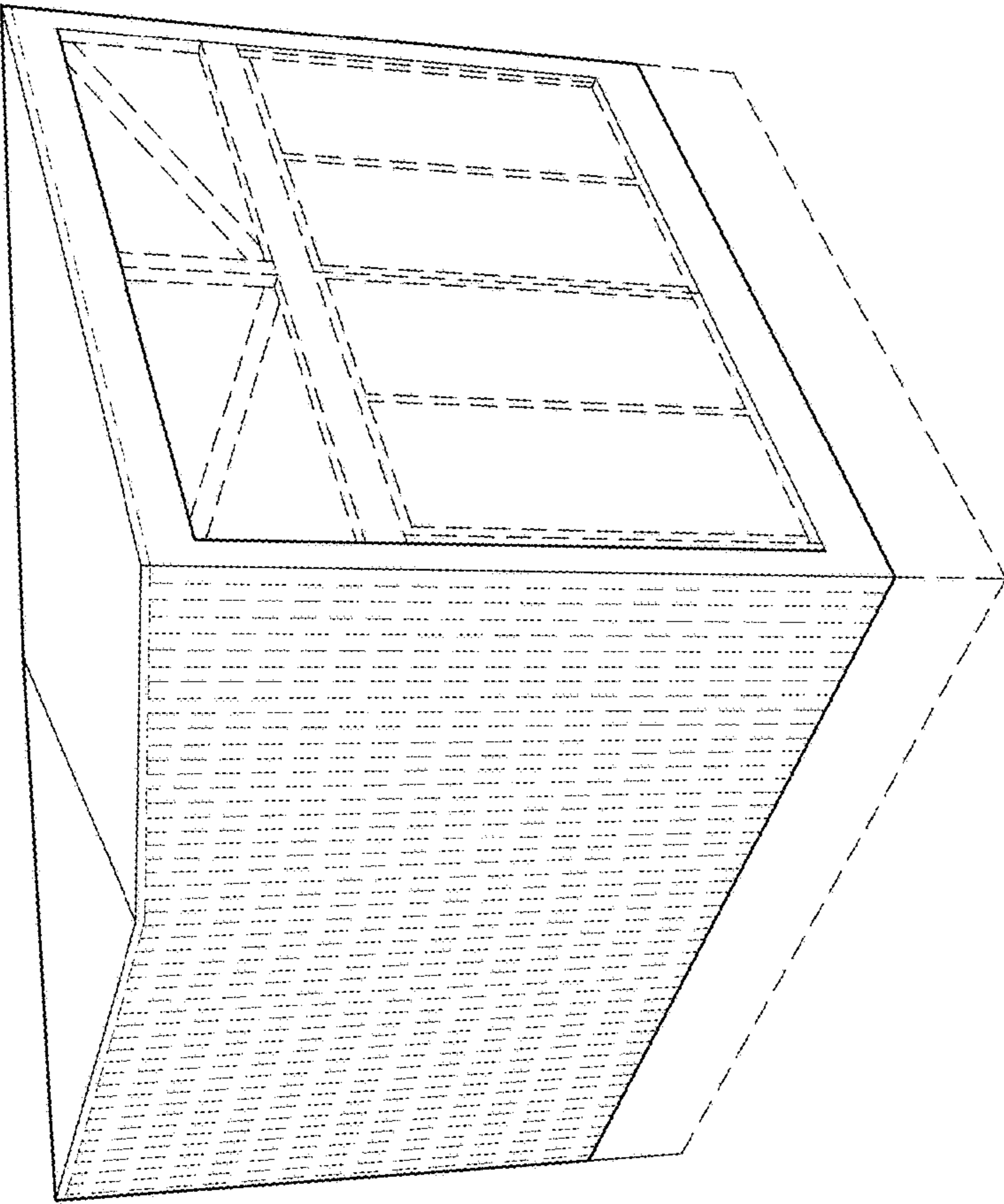


FIG. 12

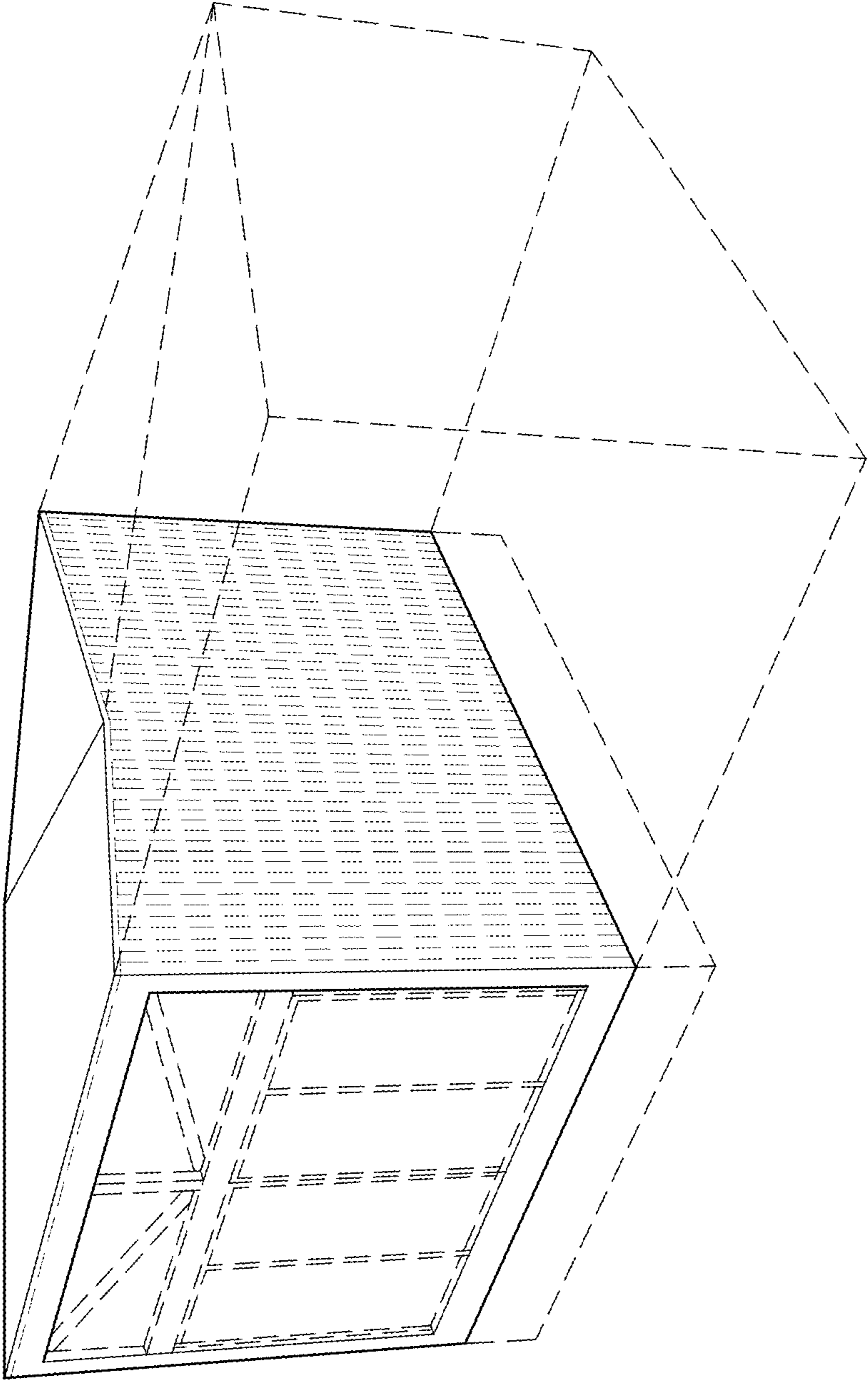


FIG. 13

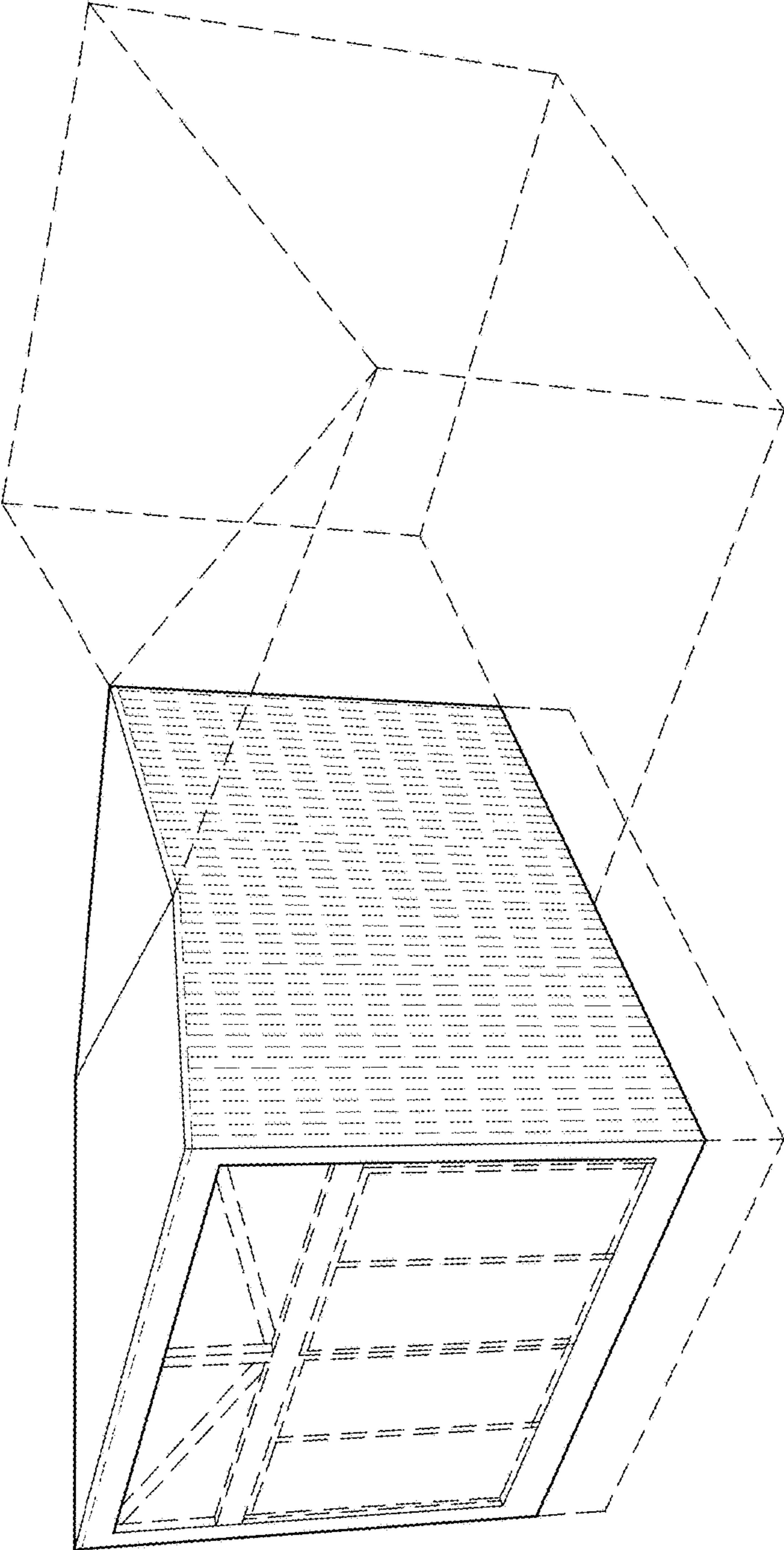


FIG. 14

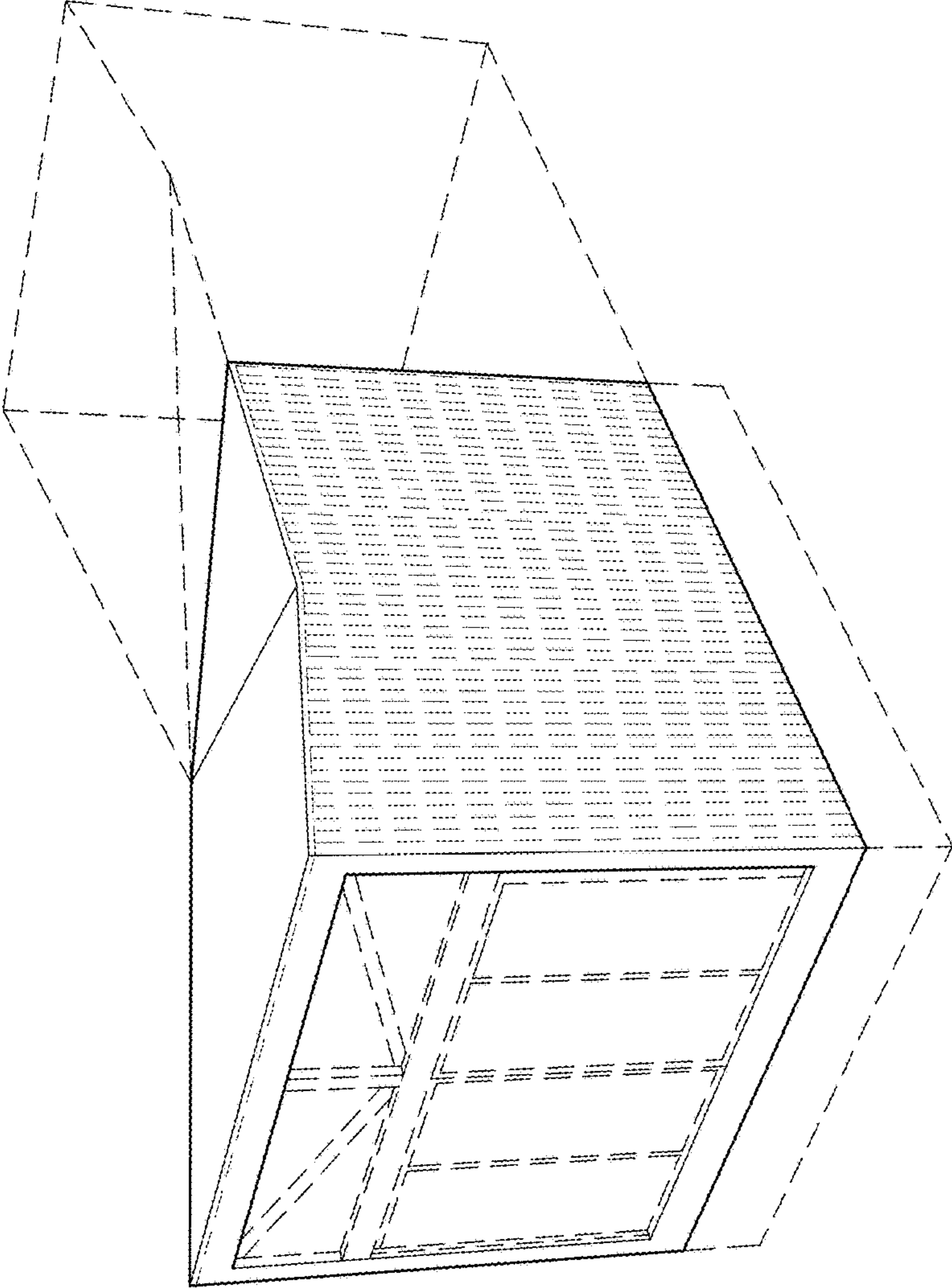


FIG. 15

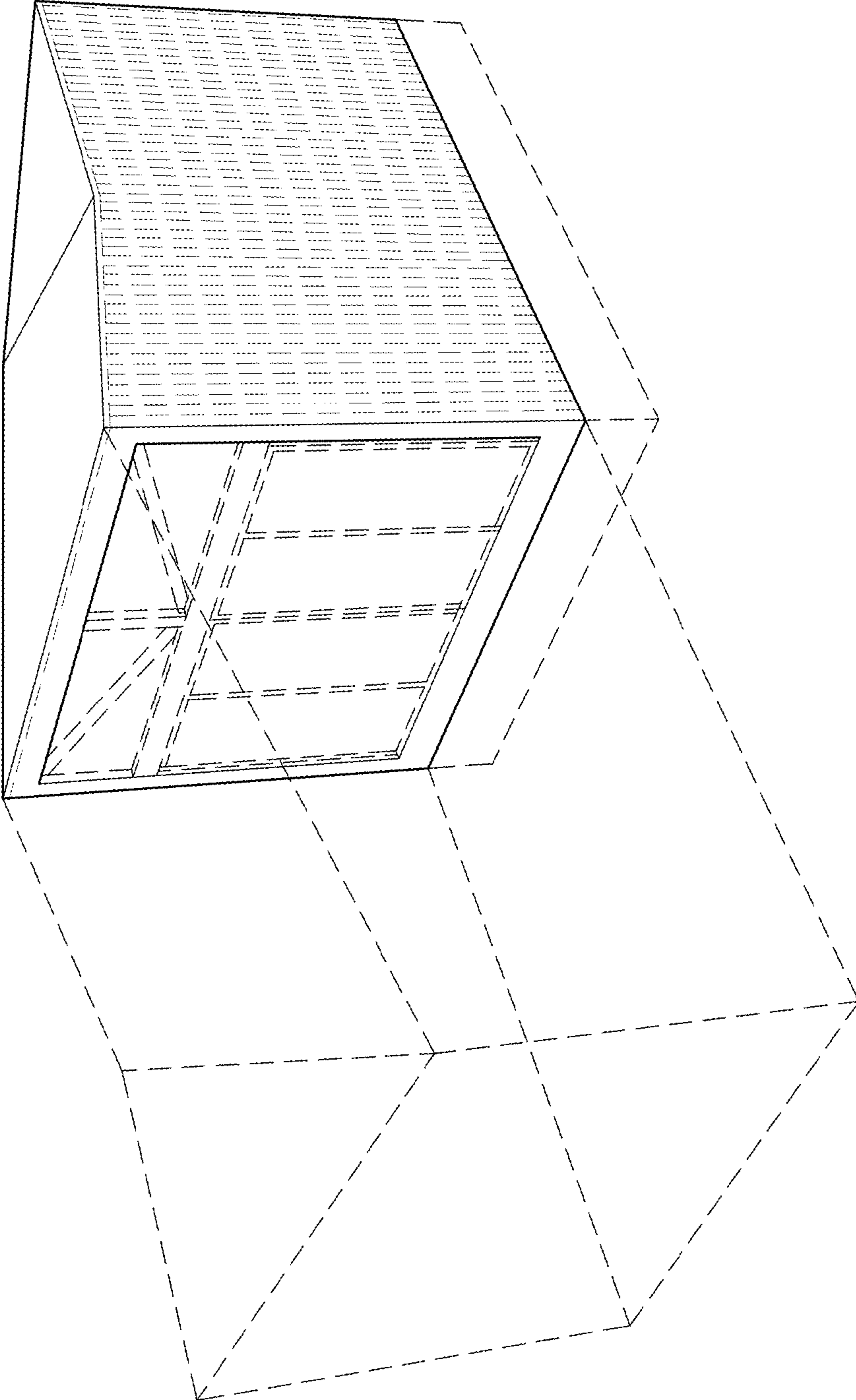


FIG. 16

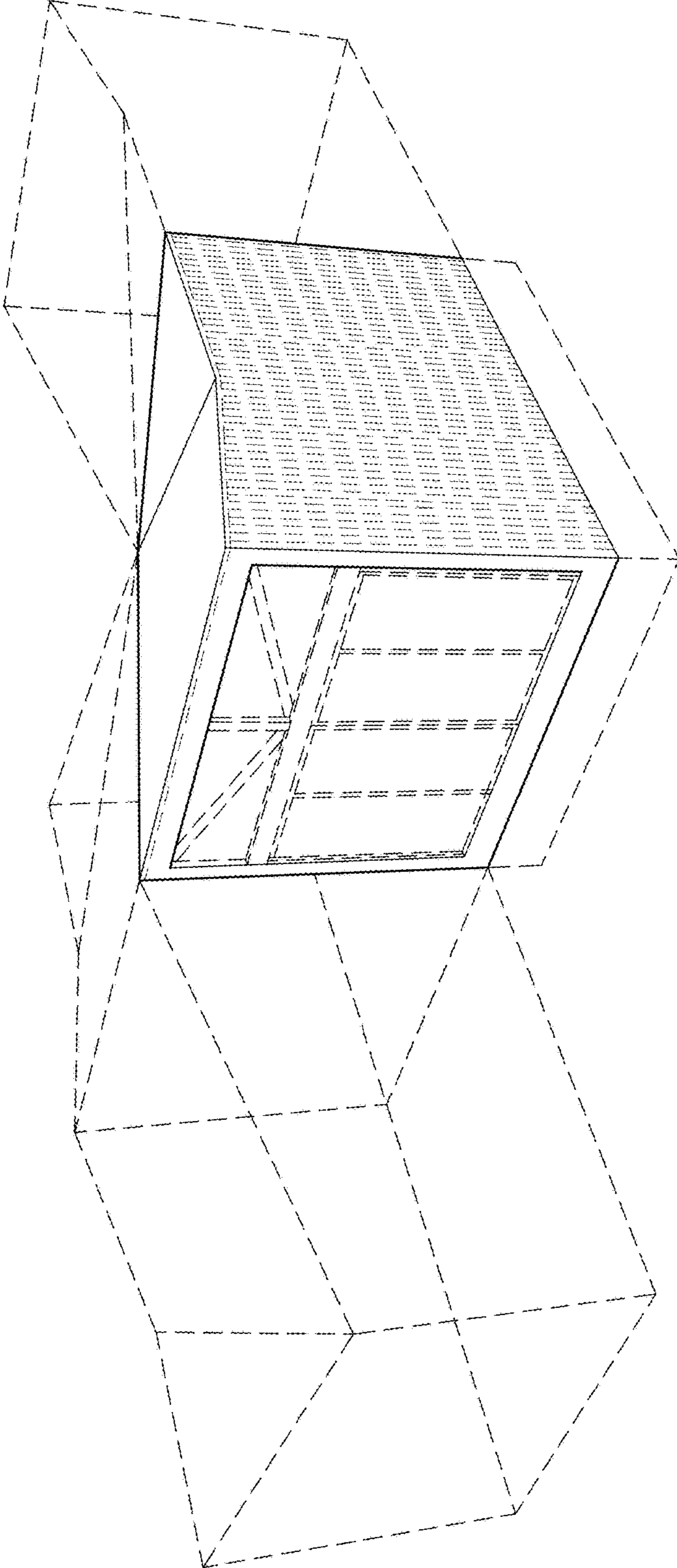


FIG. 17