



US00D802789S

(12) **United States Design Patent** (10) **Patent No.:** **US D802,789 S**
Quilter et al. (45) **Date of Patent:** **** Nov. 14, 2017**

(54) **TEST CUP HOLDER**
(71) Applicant: **Compliance Software, Inc.**, Salt Lake City, UT (US)
(72) Inventors: **Eric J. Quilter**, Park City, UT (US); **James Steven Buckmiller**, Salt Lake City, UT (US); **Scott M. Clark**, Cape Elizabeth, ME (US)

4,632,901 A 12/1986 Valkirs
4,826,003 A * 5/1989 Levy A61B 10/0096
206/223
5,186,339 A * 2/1993 Heissler B01L 9/06
206/443
5,289,378 A 2/1994 Miller
D355,493 S 2/1995 Gropper
(Continued)

(73) Assignee: **FormFox, Inc.**, Lenexa, KS (US)
(**) Term: **14 Years**

CN 1773288 11/2004
DE 102006019422 10/2007
(Continued)

(21) Appl. No.: **29/511,137**

OTHER PUBLICATIONS

(22) Filed: **Dec. 8, 2014**

European Search Report for EP 12875290 dated Oct. 23, 2015.
(Continued)

Related U.S. Application Data

(63) Continuation of application No. PCT/US2012/039181, filed on May 23, 2012, which is a continuation of application No. 29/419,180, filed on Apr. 25, 2012, now Pat. No. Des. 701,320, and a continuation of application No. 29/419,182, filed on Apr. 25, 2012, now Pat. No. Des. 699,368.

Primary Examiner — Susan Bennett Hattan
Assistant Examiner — Rebecca Tsehaye
(74) *Attorney, Agent, or Firm* — Workman Nydegger

(51) **LOC (10) Cl.** **24-02**

(57) **CLAIM**

(52) **U.S. Cl.**

The ornamental design for a test cup holder, as shown and described.

USPC **D24/230**

DESCRIPTION

(58) **Field of Classification Search**

USPC D24/227, 224, 229, 230, 107, 108, 216, D24/186; 211/71.01, 72-74; 422/229, 422/300; 206/223, 443
CPC A61J 1/12; A61J 1/00; A61J 1/065; A61J 1/067; G01N 2201/04; G01N 2201/0339; G06F 19/366

FIG. 1 is a perspective view of a test cup holder showing the design;
FIG. 2 is a front elevational view thereof;
FIG. 3 is a back elevational view thereof;
FIG. 4 is a left elevational view thereof;
FIG. 5 is a right elevational view thereof;
FIG. 6 is a top plan view thereof; and,
FIG. 7 is a bottom plan view thereof.
The broken lines shown in the drawings represent portions of the test cup holder which form no part of the claimed design.

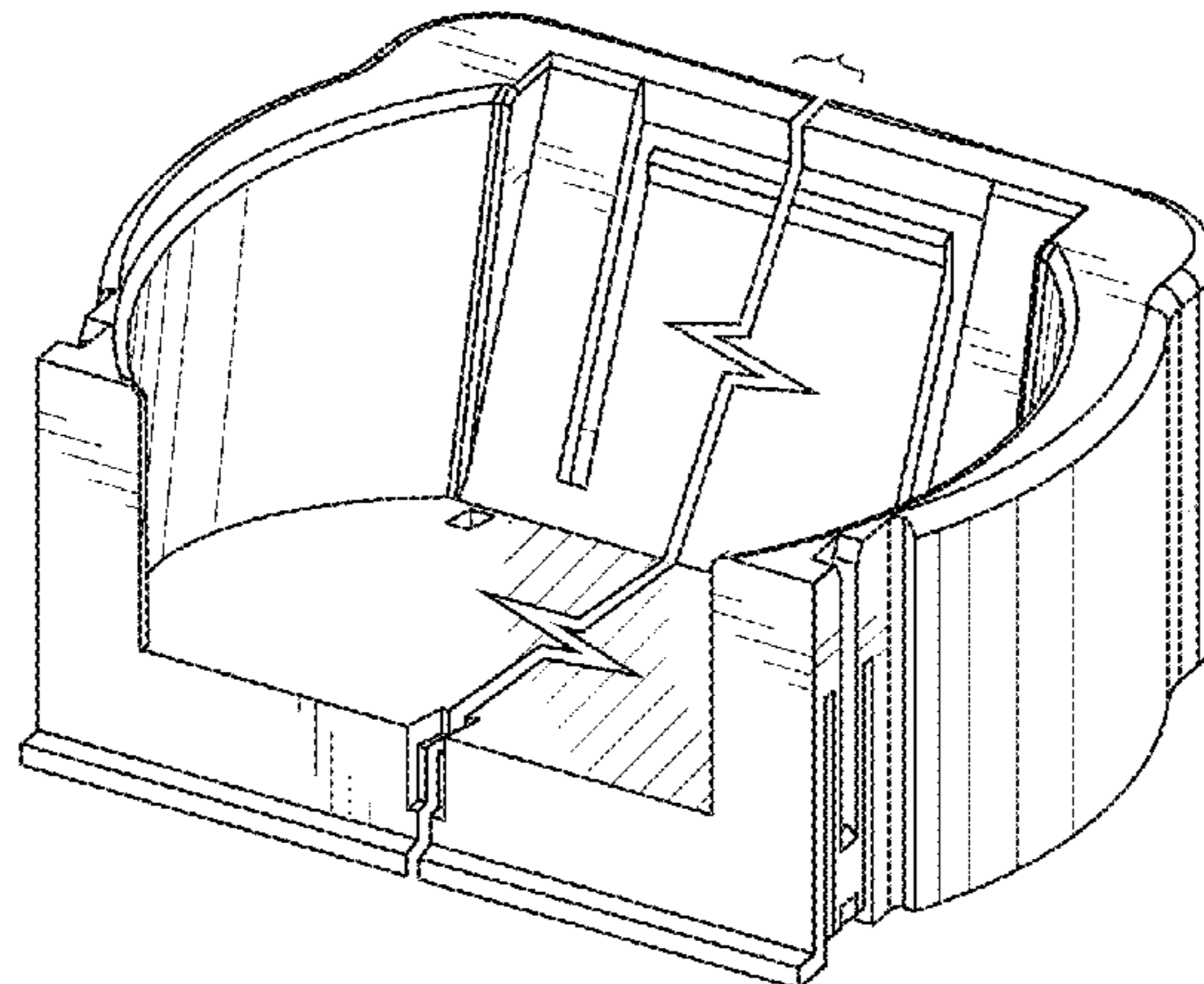
See application file for complete search history.

(56) **References Cited**

U.S. PATENT DOCUMENTS

D275,788 S 10/1984 Givner
D285,114 S 8/1986 Collister

1 Claim, 3 Drawing Sheets



(56)

References Cited

U.S. PATENT DOCUMENTS

D376,651 S 12/1996 Paloian
 5,591,645 A 1/1997 Rosenstein
 5,602,040 A 2/1997 May
 6,376,251 B1 4/2002 Braun
 D461,554 S * 8/2002 Lafond D24/227
 D617,666 S 6/2010 Stowers
 D625,014 S 10/2010 Hansen
 D625,015 S 10/2010 Hansen
 D629,805 S 12/2010 Nysen
 D650,910 S 12/2011 Shibata
 D654,597 S 2/2012 Hiramura
 D661,309 S 6/2012 Murrer
 D661,810 S 6/2012 Zanoni
 D662,217 S * 6/2012 Brown D24/224
 D674,396 S 1/2013 Yang
 D682,432 S 5/2013 Khan
 D690,026 S * 9/2013 Brown D24/224
 D699,368 S * 2/2014 Quilter D24/186
 D701,320 S * 3/2014 Quilter D24/186
 D714,462 S * 9/2014 Judson D24/216
 8,824,800 B2 9/2014 Bremnes
 9,094,493 B2 * 7/2015 Quilter G06F 19/366
 D735,881 S * 8/2015 Thomas D24/227
 2005/0106750 A1 5/2005 Tung
 2005/0191694 A1 9/2005 Jacobs
 2006/0073483 A1 4/2006 White
 2006/0074463 A1 4/2006 Seeberger
 2006/0177869 A1 8/2006 Heal
 2006/0222567 A1 10/2006 Kloepfer
 2006/0240453 A1 10/2006 Jacobs
 2006/0257956 A1 11/2006 Basset
 2006/0292040 A1 12/2006 Wickstead
 2007/0065339 A1 3/2007 Huff
 2007/0100397 A1 5/2007 Seeberger
 2008/0019867 A1 1/2008 Johnson
 2008/0194041 A1 8/2008 Guirguis
 2008/0228404 A1 9/2008 Garty
 2009/0132204 A1 5/2009 Bodlaender
 2009/0240115 A1 9/2009 Bluth

2009/0240116 A1 9/2009 Bluth
 2009/0240524 A1 9/2009 Bluth
 2009/0240527 A1 9/2009 Bluth
 2009/0240528 A1 9/2009 Bluth
 2009/0240702 A1 9/2009 Bluth
 2009/0241177 A1 9/2009 Bluth
 2010/0049279 A1 2/2010 Seeberger
 2010/0152059 A1 6/2010 Zeichner
 2010/0173797 A1 7/2010 Jacobs
 2010/0263113 A1 10/2010 Shelton
 2011/0009163 A1 1/2011 Fletcher
 2011/0019883 A1 1/2011 Bremnes
 2011/0077469 A1 3/2011 Blocker
 2011/0144535 A1 6/2011 Guirguis
 2011/0176051 A1 7/2011 Randers-Pehrson
 2011/0257509 A1 10/2011 Olsen
 2011/0312531 A1 12/2011 Jacobs
 2012/0176498 A1 7/2012 Haas
 2012/0203086 A1 8/2012 Rorabaugh
 2013/0053700 A1 2/2013 Ignatz
 2013/0209993 A1 8/2013 Aronowitz
 2014/0032406 A1 1/2014 Roach
 2014/0234858 A1 8/2014 Santagata
 2014/0296112 A1 10/2014 O'Driscoll

FOREIGN PATENT DOCUMENTS

GB 2483482 3/2012
 JP 2008286522 11/2008
 WO WO2010095394 8/2010
 WO 2012032171 3/2012
 WO WO2013162631 10/2013

OTHER PUBLICATIONS

Examiners Report—15567 for application No. 2242-14.
 International Search Report and Opinion, PCT/US2012/039181,
 dated Dec. 12, 2012.
 Non-Final Office Action for U.S. Appl. No. 14/482,271 dated Oct.
 9, 2015.

* cited by examiner

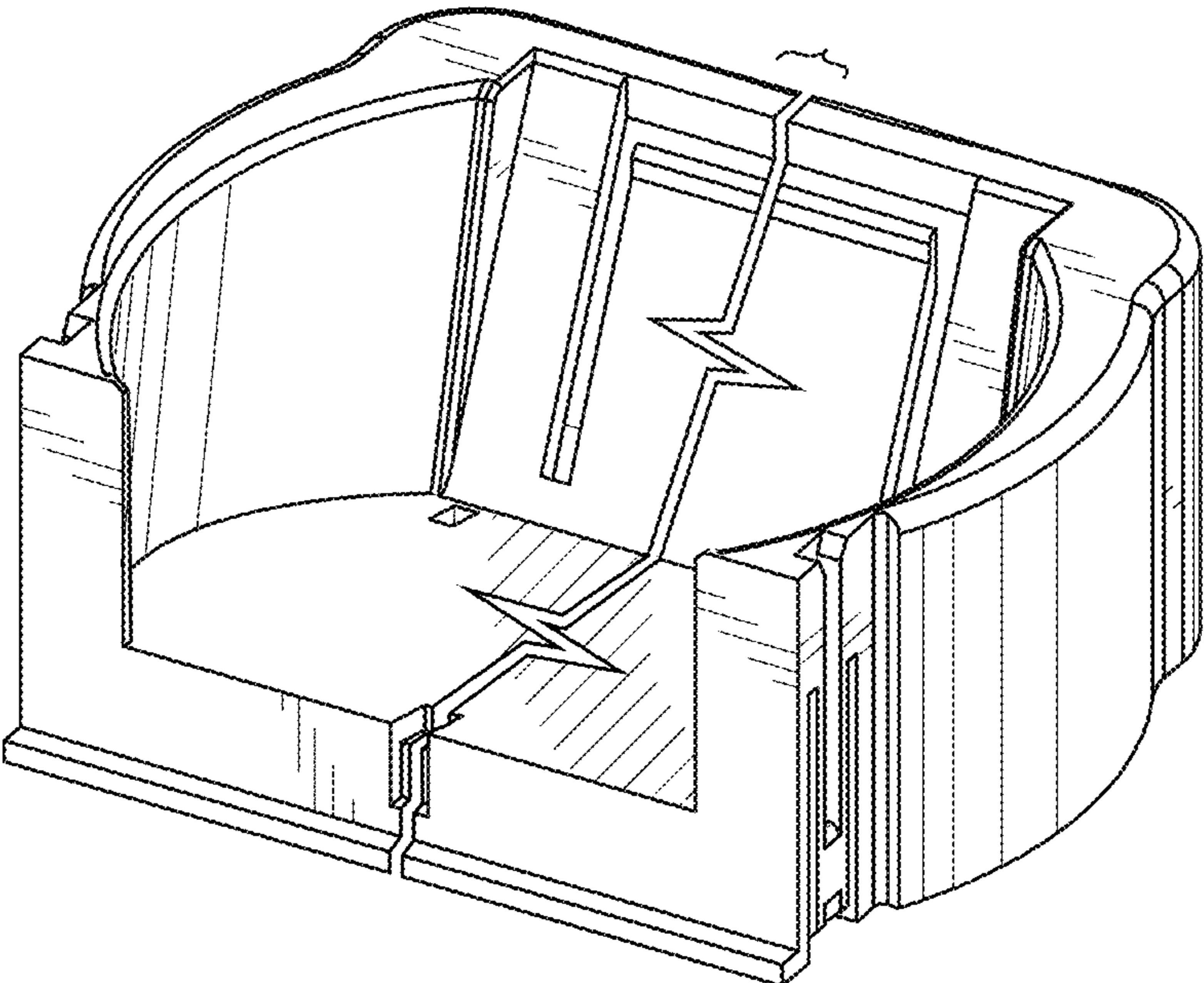


FIG. 1

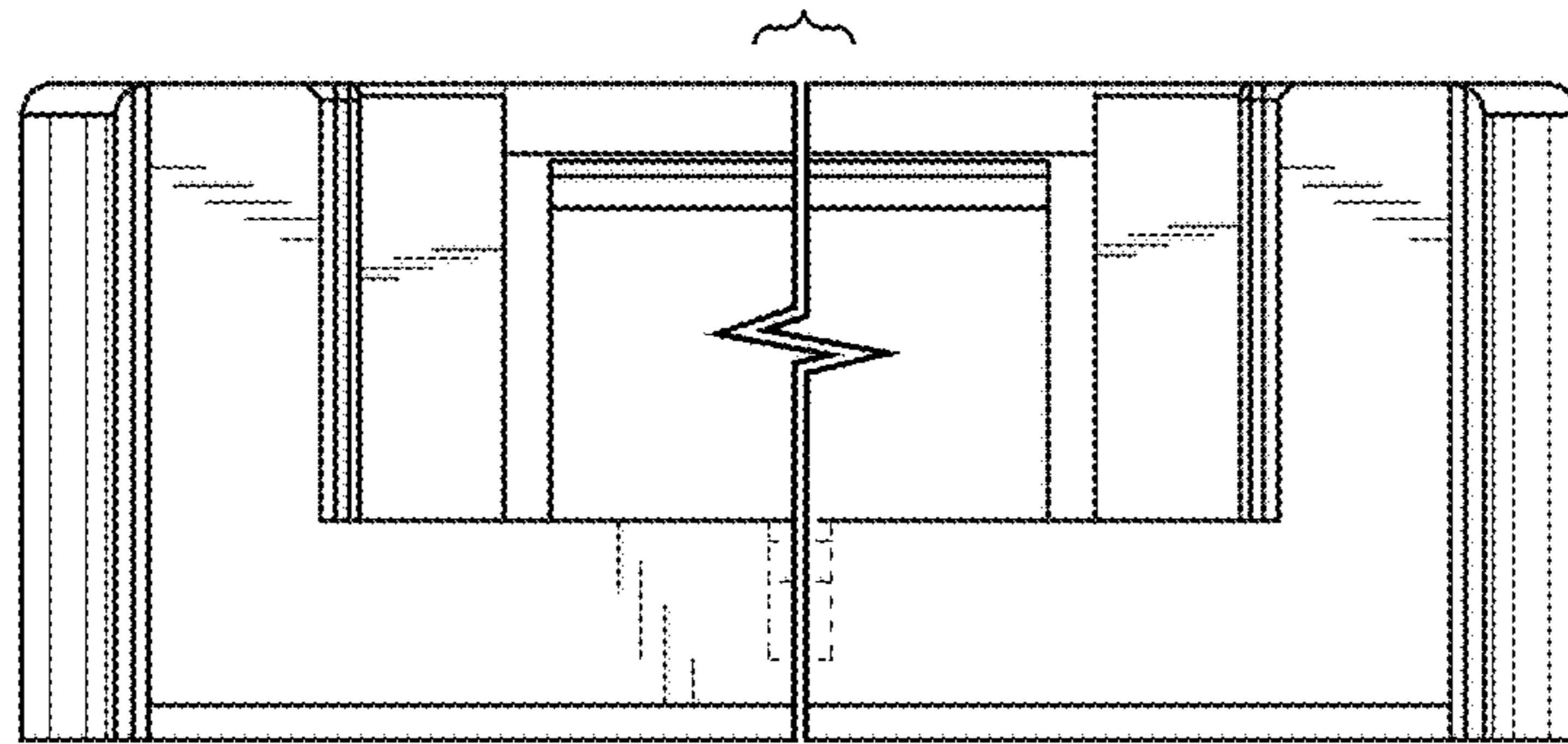


FIG. 2

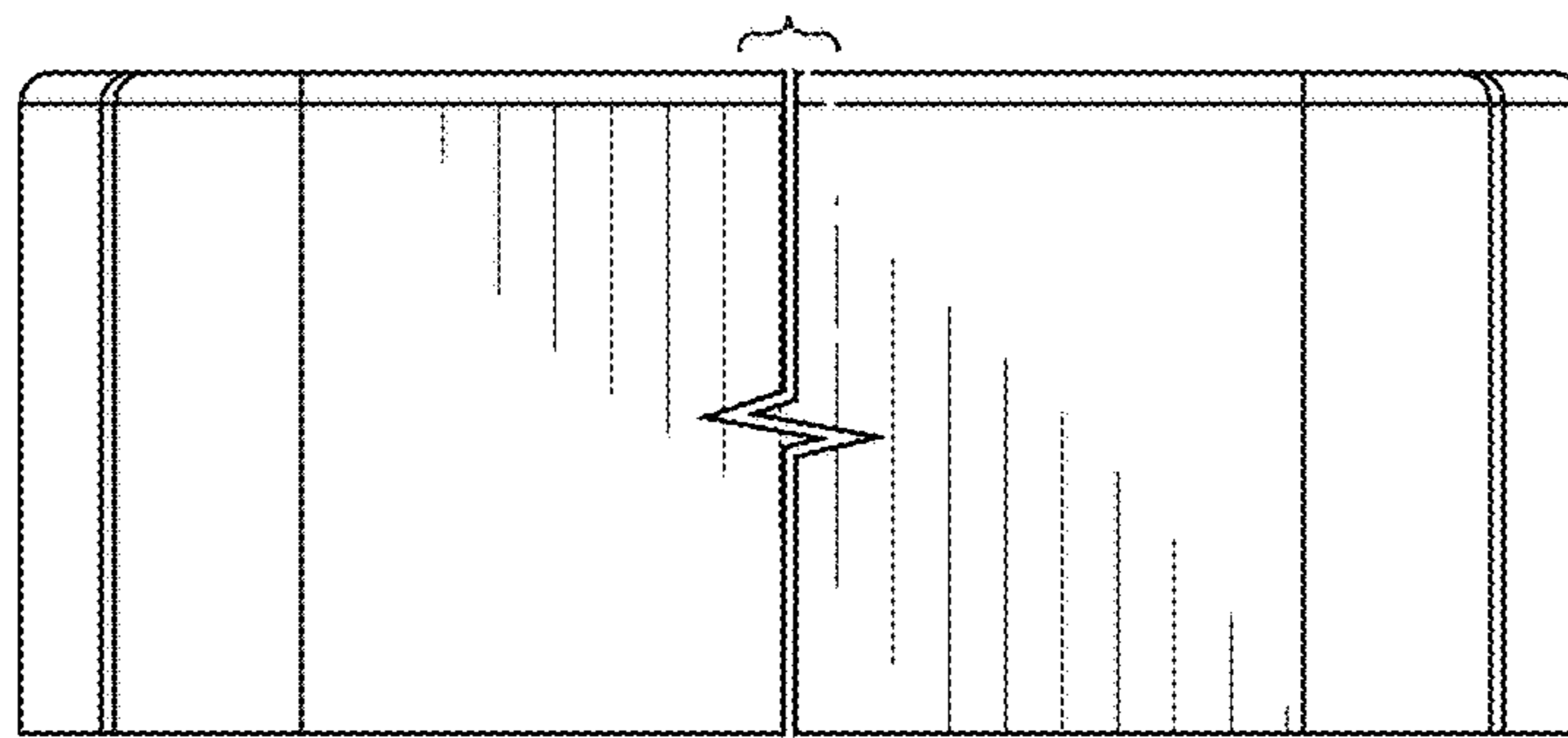


FIG. 3

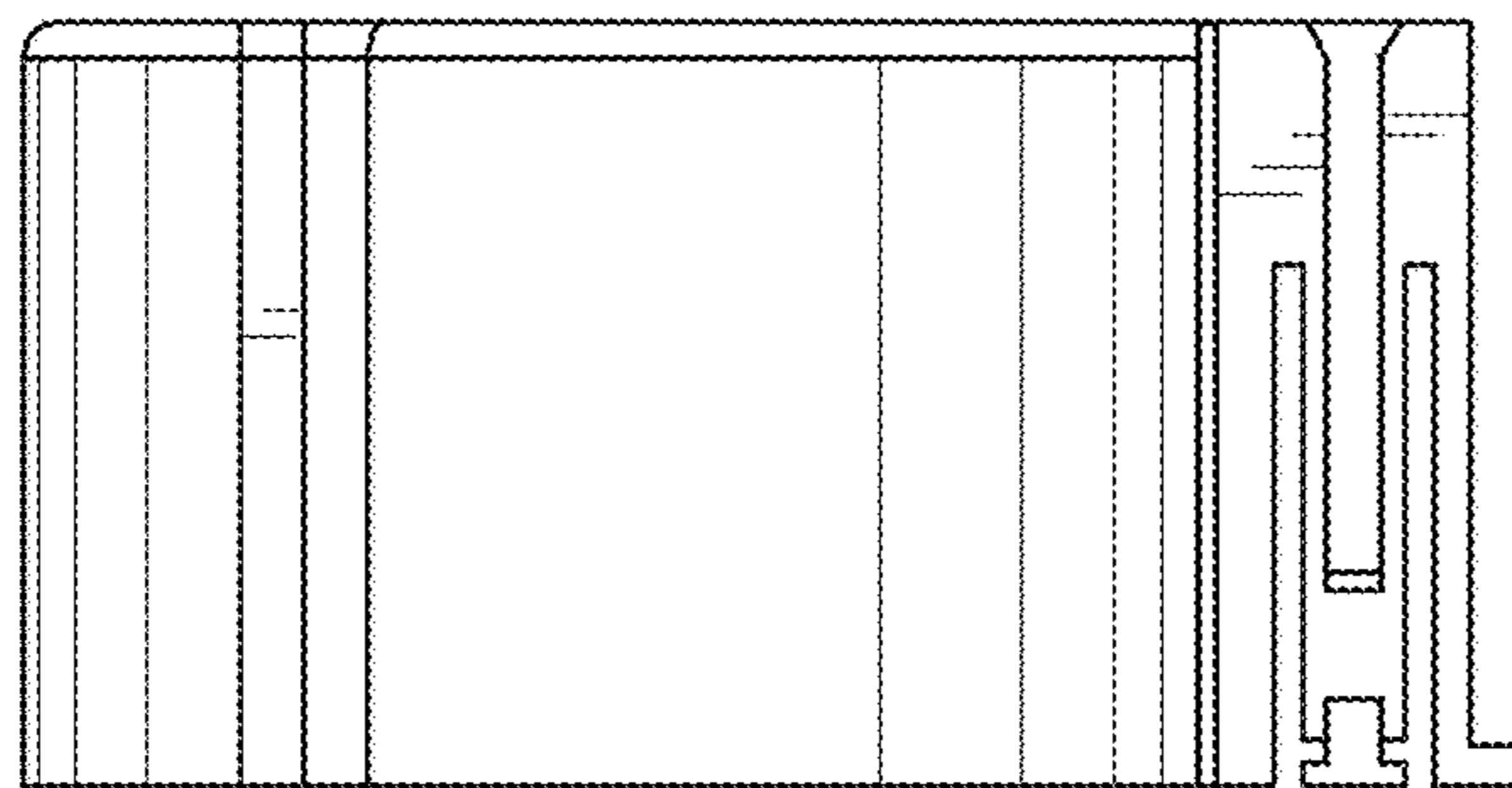


FIG. 4

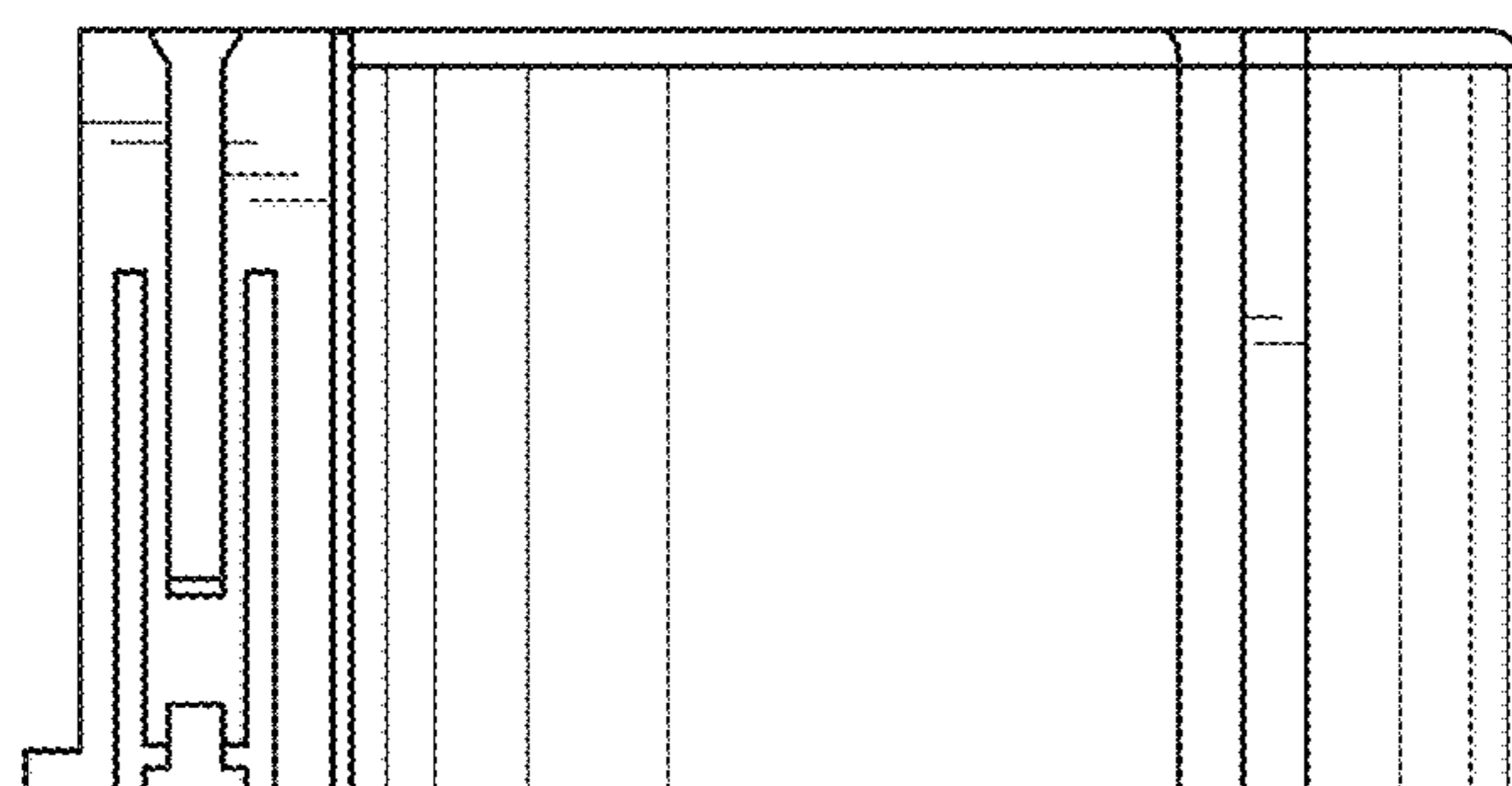


FIG. 5

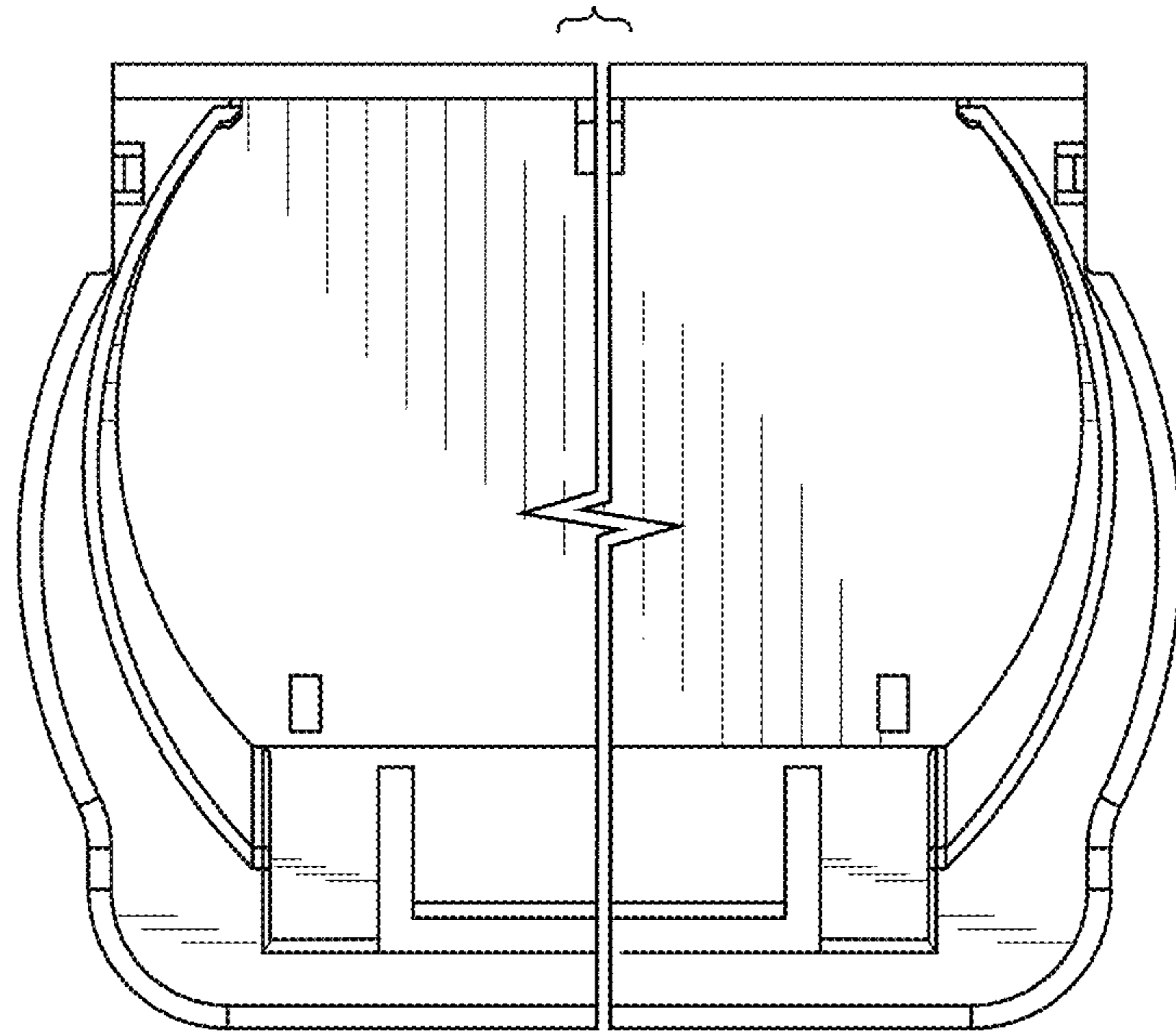


FIG. 6

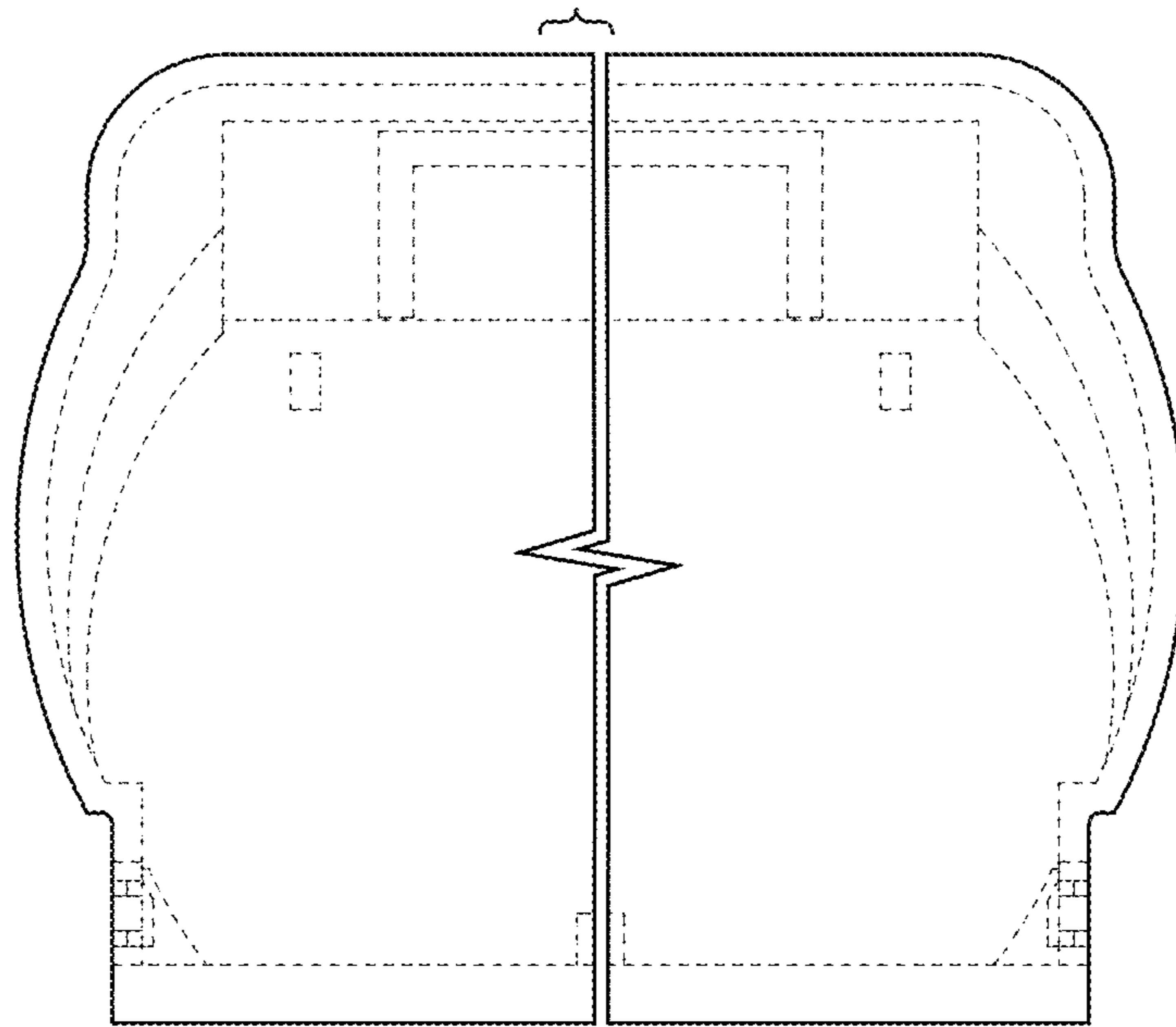


FIG. 7