



US00D802785S

(12) **United States Design Patent** (10) **Patent No.:** **US D802,785 S**
Barton et al. (45) **Date of Patent:** **** Nov. 14, 2017**

(54) **DIAGNOSTIC ANALYZER**

(71) Applicant: **Abbott Laboratories**, Abbott Park, IL (US)

(72) Inventors: **Christina A Barton**, Irving, TX (US); **Daniel Roger Nett**, Sun Prairie, WI (US); **Rachel Elizabeth Wallace**, Madison, WI (US); **Ami Marie Verhalen**, Sun Prairie, WI (US)

(73) Assignee: **ABBOTT LABORATORIES**, Abbott Park, IL (US)

(**) Term: **15 Years**

(21) Appl. No.: **29/549,330**

(22) Filed: **Dec. 21, 2015**

Related U.S. Application Data

(63) Continuation-in-part of application No. 29/531,603, filed on Jun. 26, 2015.

(51) **LOC (10) Cl.** **24-01**

(52) **U.S. Cl.**
USPC **D24/216**

(58) **Field of Classification Search**
USPC D24/216-219, 231, 232, 233, 107, 169, D24/186; D10/81

(Continued)

(56) **References Cited**

U.S. PATENT DOCUMENTS

D319,307 S * 8/1991 Sakagami D10/81
D346,027 S * 4/1994 Kobayashi D24/232

(Continued)

OTHER PUBLICATIONS

Japanese Patent Office, "Notice of Reason for Rejection," issued in connection with Japanese Design Application No. 2016-1034, mailed Sep. 6, 2016, 5 pages.

State Intellectual Property Office of China, "First Office Action," issued in connection with Chinese Patent Application No. 201530555269.1, dated Oct. 9, 2016, 3 pages.

(Continued)

Primary Examiner — Anhdao Doan

(74) *Attorney, Agent, or Firm* — McAndrews, Held & Malloy, Ltd.

(57) **CLAIM**

The ornamental design for a diagnostic analyzer, as shown and described.

DESCRIPTION

The file of this patent contains at least one drawing/photograph executed in color. Copies of this patent with color drawings(s)/photograph(s) will be provided by the Office upon request and payment of the necessary fee.

FIG. 1 is a front left perspective view of a first embodiment of a diagnostic analyzer showing our new design;

FIG. 2 is a front elevation view of the first embodiment of the diagnostic analyzer;

FIG. 3 is a rear elevation view of the first and second embodiments of the diagnostic analyzer;

FIG. 4 is a right side elevation view of the first and second embodiments of the diagnostic analyzer;

FIG. 5 is a left side elevation view of the first and second embodiments of the diagnostic analyzer;

FIG. 6 is a top plan view of the first embodiment of the diagnostic analyzer;

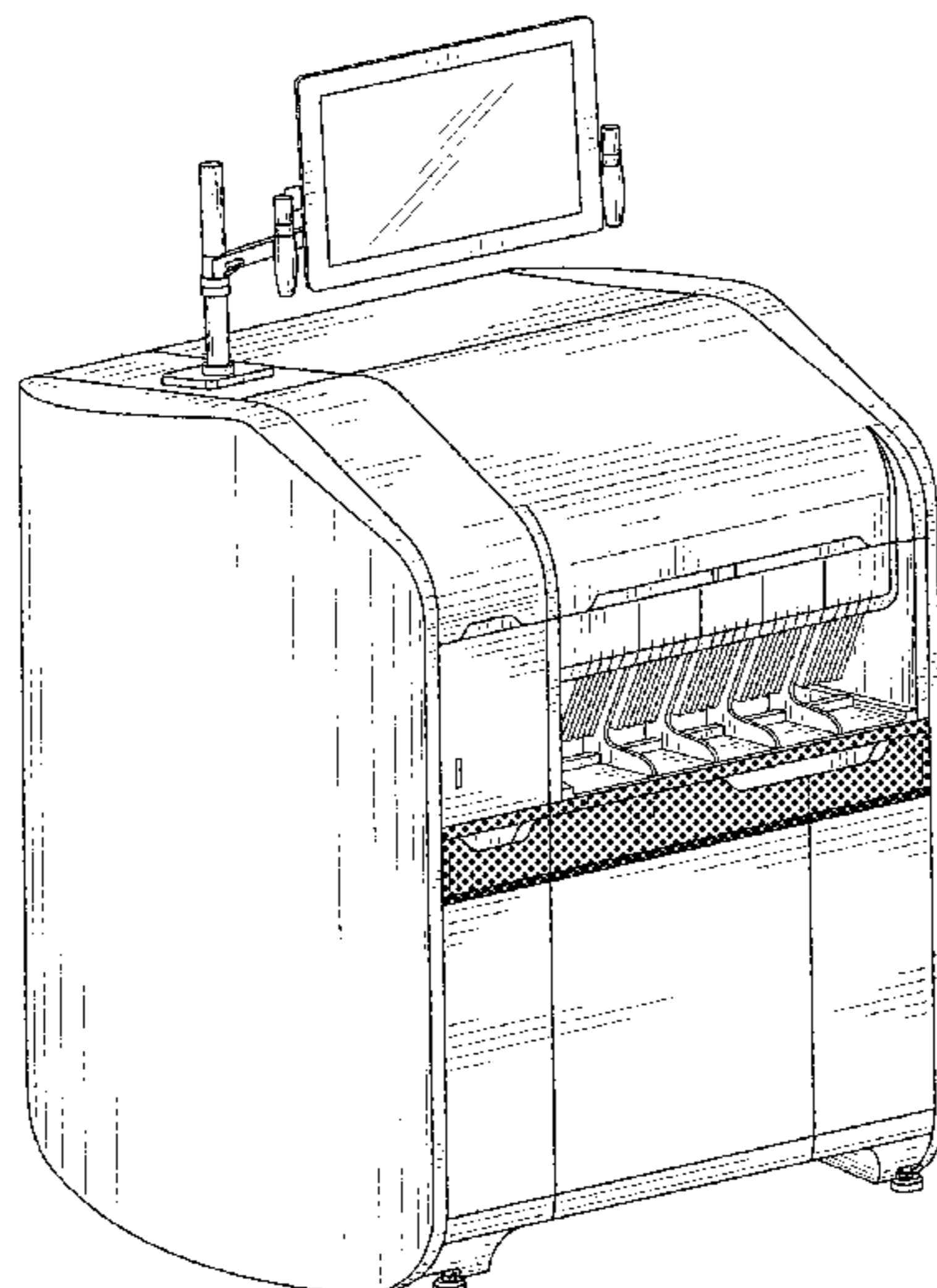
FIG. 7 is a bottom plan view of the first and second embodiments of the diagnostic analyzer;

FIG. 8 is a front left perspective view of a second embodiment of a diagnostic analyzer showing our new design;

FIG. 9 is a front elevation view of the second embodiment of the diagnostic analyzer; and,

FIG. 10 is a top plan view of the second embodiment of the diagnostic analyzer.

1 Claim, 10 Drawing Sheets
(4 of 10 Drawing Sheet(s) Filed in Color)



(58) **Field of Classification Search**

CPC G01N 2035/00306; G01N 2035/00326;
 G01N 2035/00336; G01N 2030/027;
 G01N 21/76

See application file for complete search history.

(56) **References Cited**

U.S. PATENT DOCUMENTS

D351,025	S *	9/1994	Yamashita	D24/216
D354,354	S *	1/1995	Yamashita	D24/232
6,521,183	B1 *	2/2003	Burri	G01N 35/026 422/65
D662,431	S *	6/2012	Kimura	D10/81
D672,471	S *	12/2012	Franco	D24/232
D676,568	S *	2/2013	Liu	D24/216
D715,456	S *	10/2014	Oonuma	D24/216
D716,966	S *	11/2014	Lizari Illarramendi	D24/232
D724,753	S *	3/2015	Gutmann	D24/216
D728,124	S *	4/2015	Oonuma	D24/216
D736,402	S *	8/2015	Gutmann	D24/216
2002/0169518	A1 *	11/2002	Luoma, II	B01L 9/00 700/218
2013/0034466	A1 *	2/2013	Wakamiya	G01N 35/00584 422/64
2013/0288355	A1 *	10/2013	DeWitte	G01N 30/06 435/288.6
2015/0140577	A1 *	5/2015	Li	G01N 33/56972 435/7.24
2015/0276566	A1 *	10/2015	Berntsen	G01N 1/312 435/309.1

OTHER PUBLICATIONS

Japanese Patent Office, "Notice of Reason for Rejection," issued in connection with Japanese Design Application No. 2016-22301, mailed Nov. 8, 2016, 4 pages.

Notification of the Registration of the Community Designs, issued by the Office for Harmonization in The Internal Market, in connection with European Community Design Nos. 002930230-0001 through 002930230-0029, on Mar. 17, 2016, 6 pages.

Notification of the Registration of the Community Designs, issued by the European Union Intellectual Property Office, in connection with European Community Design Nos. 003003631-0001 through 003003631-0014, on Apr. 28, 2016, 5 pages.

Notification of First Corrections, issued by the State Intellectual Property Office of the P.R. China, in connection with Chinese Patent Application No. 201530555269.1, on Apr. 25, 2016, 4 pages.

Notice for Reasons for Rejection, English Language, issued by the Intellectual Property Office of Japan, in connection with Japanese application No. 2015-28871, on Jun. 14, 2016, 5 pages.

United States Patent and Trademark Office, "Restriction and/or Election Requirement," issued in connection with U.S. Appl. No. 29/505,590, Mar. 6, 2017, 32 pages.

United States Patent and Trademark Office, "Notice of Allowance", issued in connection with U.S. Appl. No. 29/505,590, Apr. 18, 2017, 19 pages.

United States Patent and Trademark Office, "Notice of Allowance", issued in connection with U.S. Appl. No. 29/505,590, Jan. 18, 2017, 28 pages.

United States Patent and Trademark Office, "Restriction and/or Election Requirement," issued in connection with U.S. Appl. No. 29/505,590, Oct. 13, 2016, 27 pages.

* cited by examiner

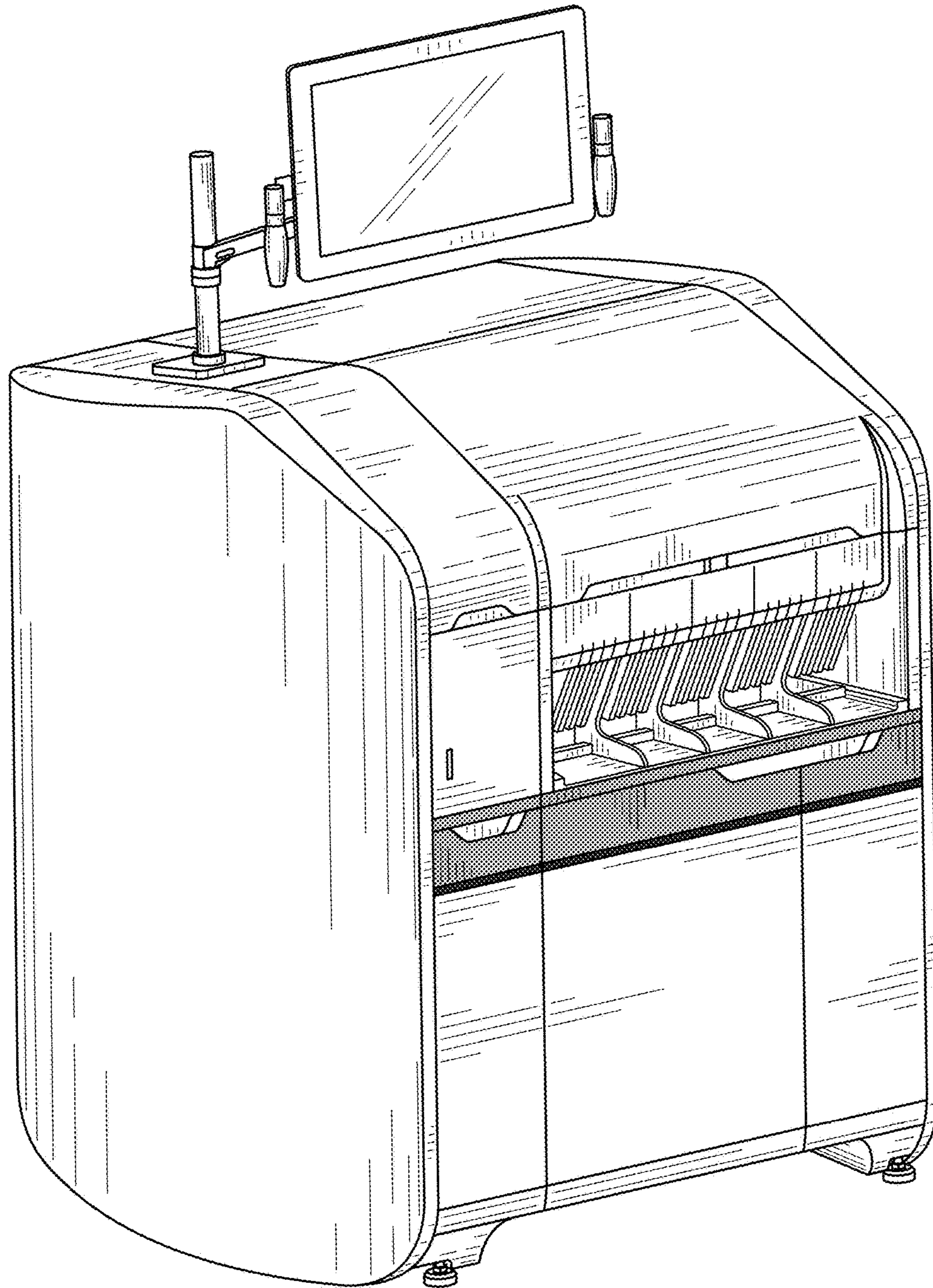


FIG. 1

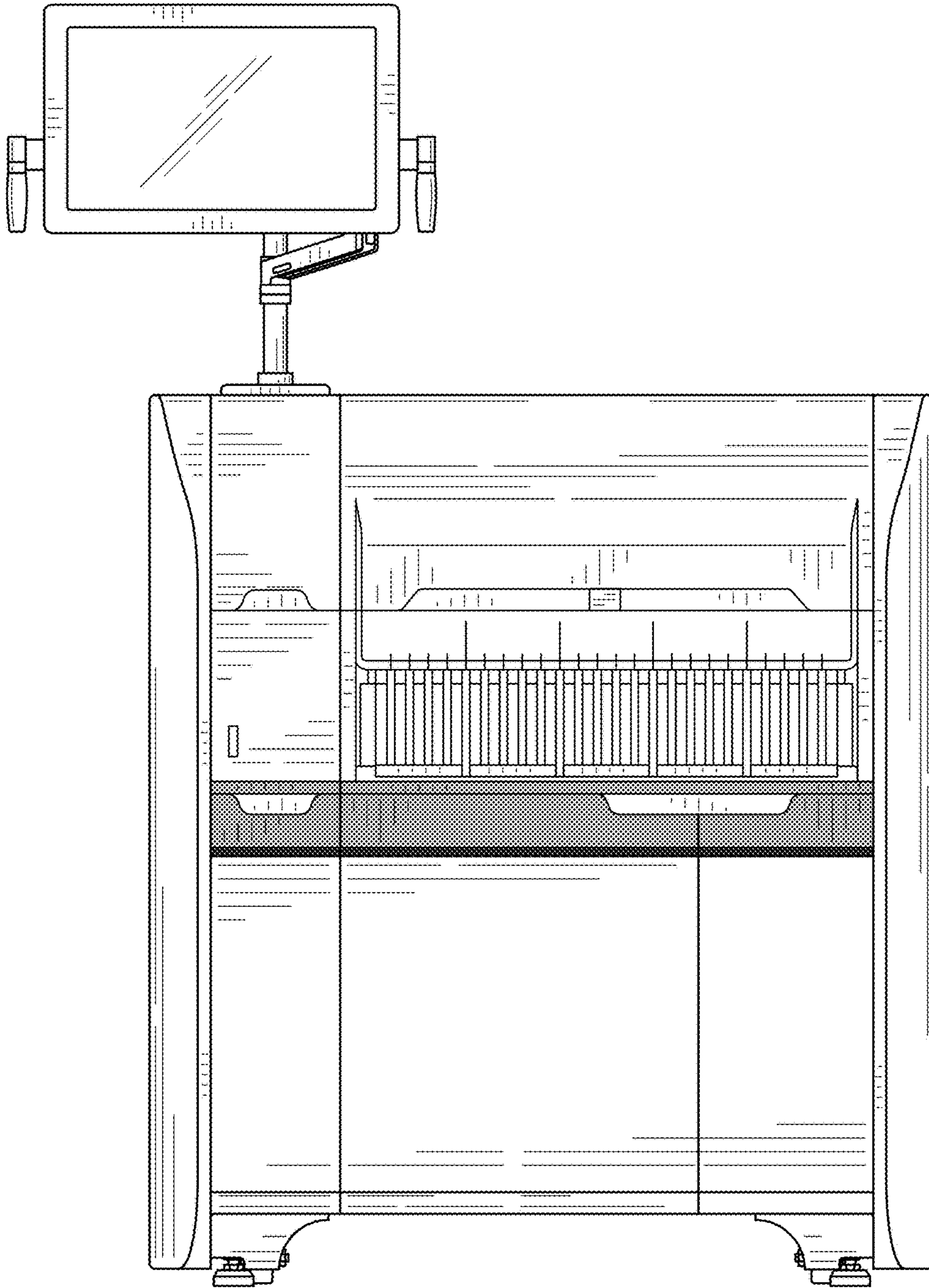


FIG. 2

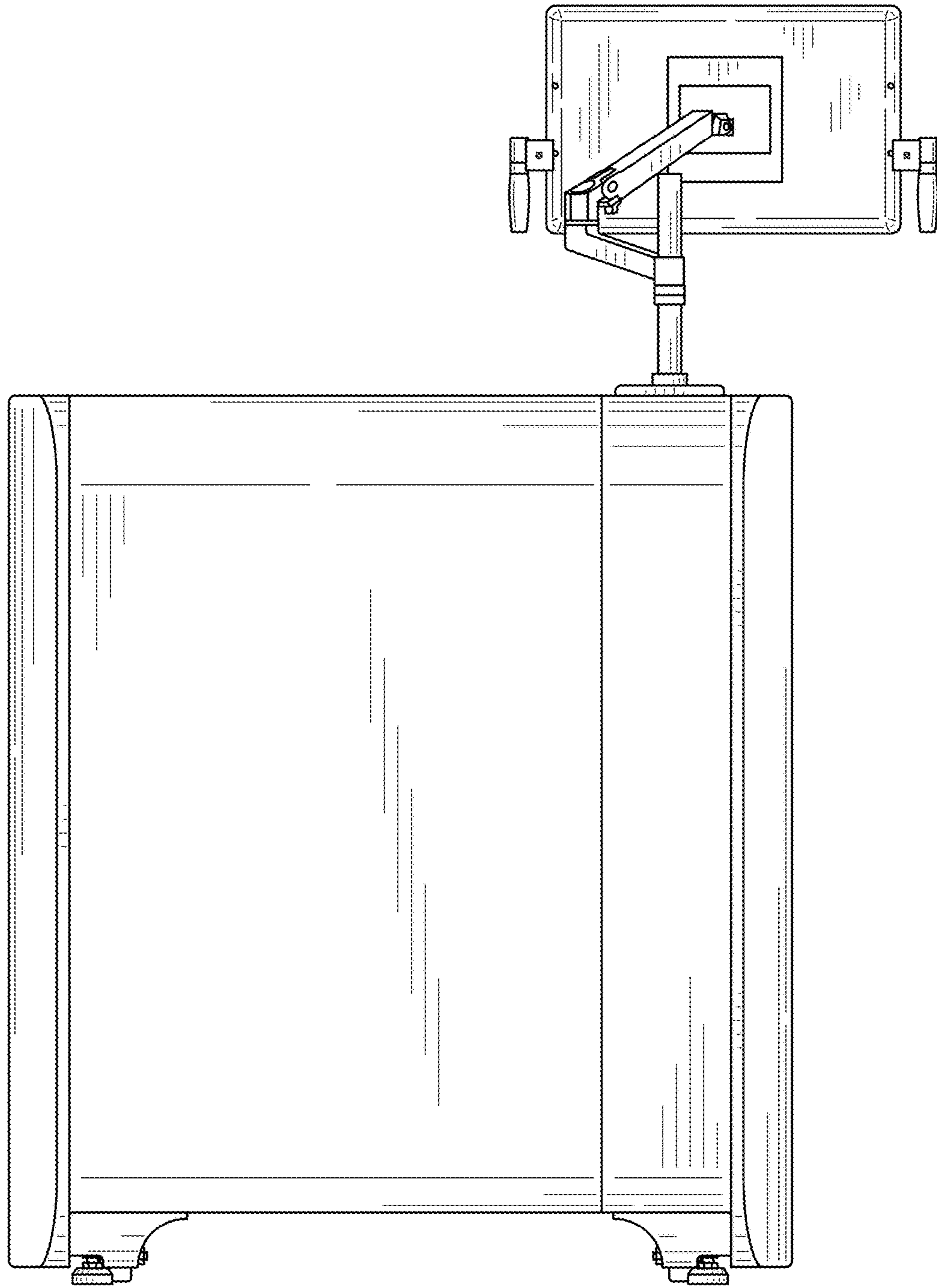


FIG. 3

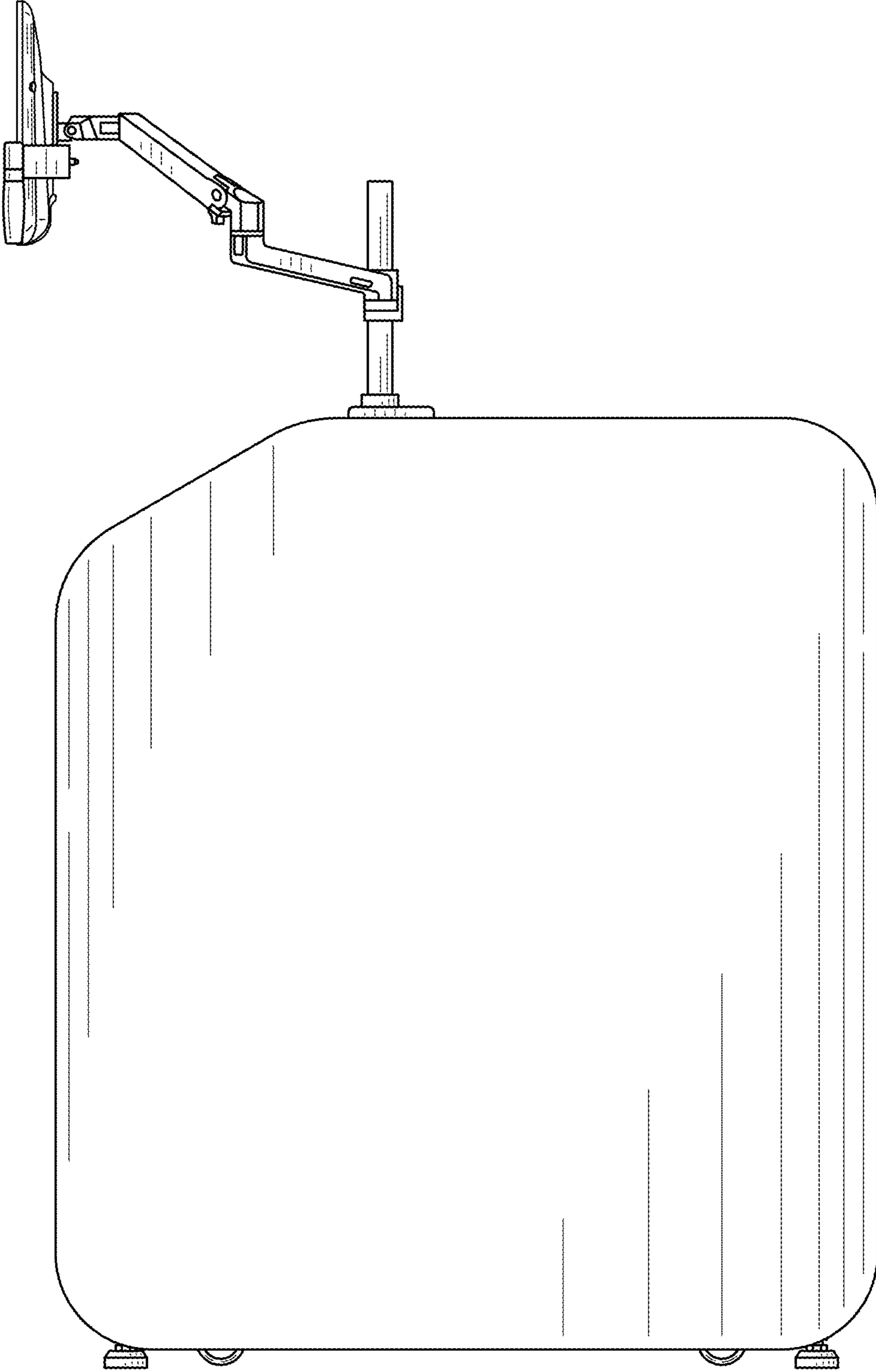


FIG. 4

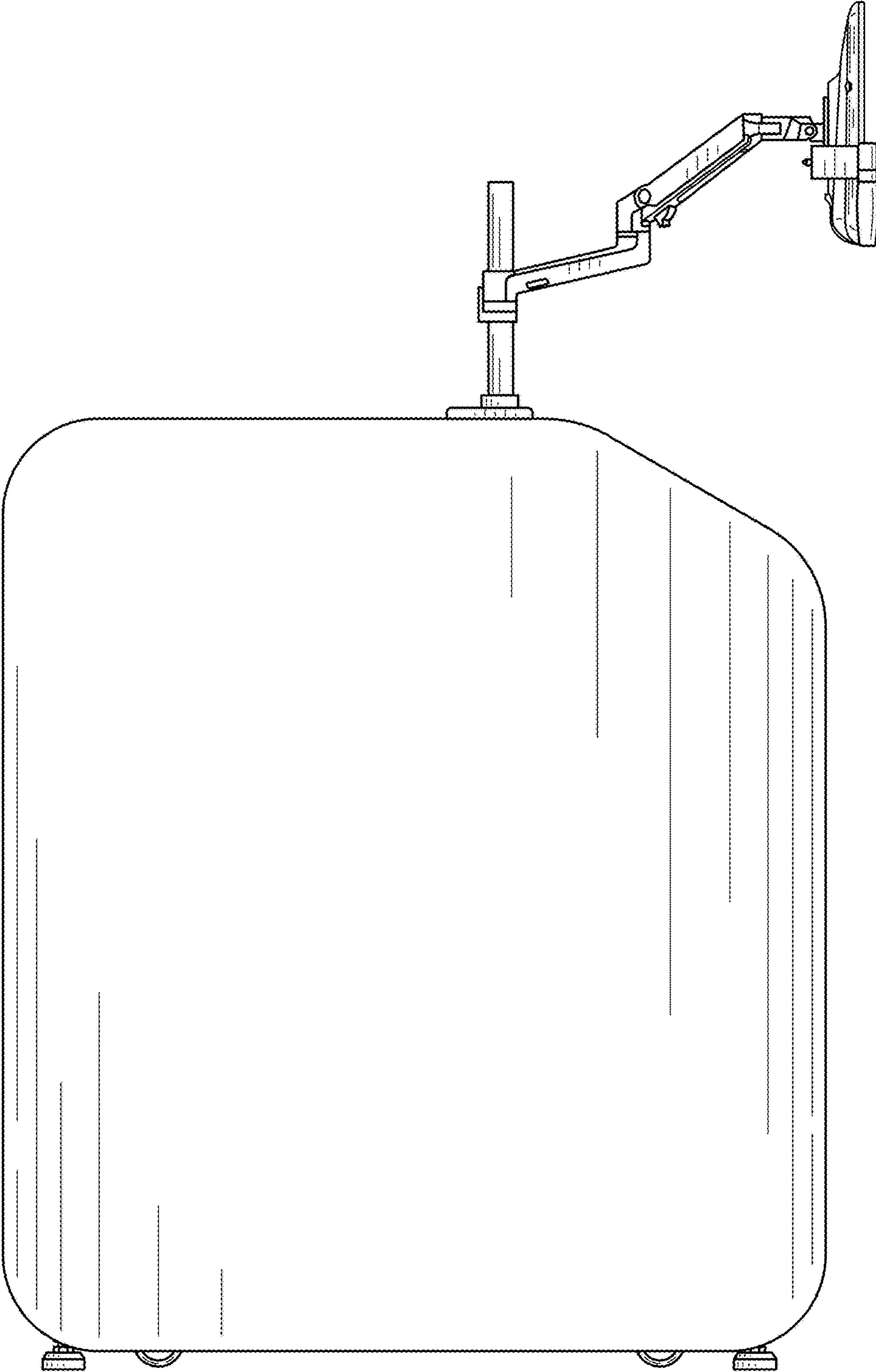


FIG. 5

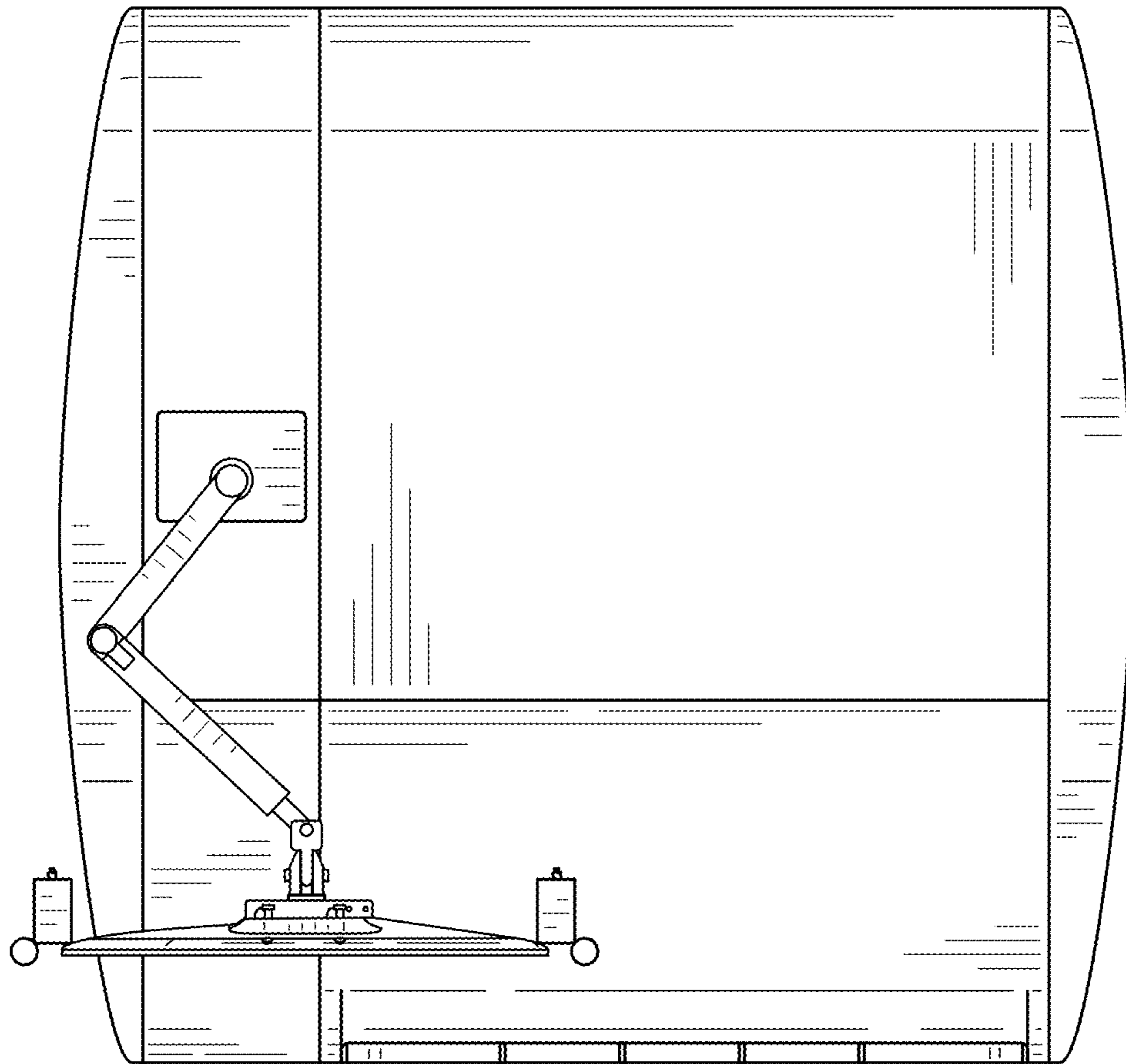


FIG. 6

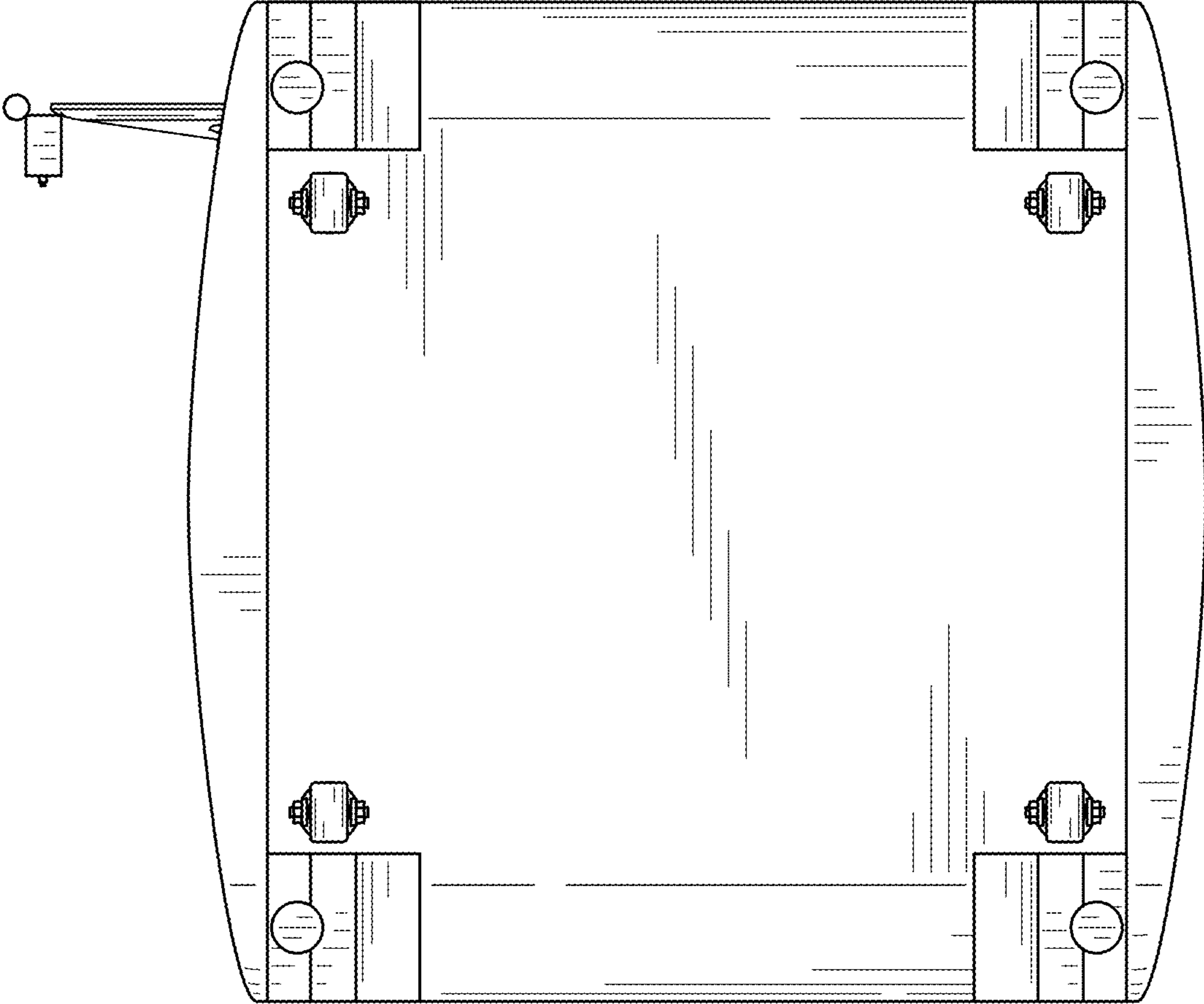


FIG. 7

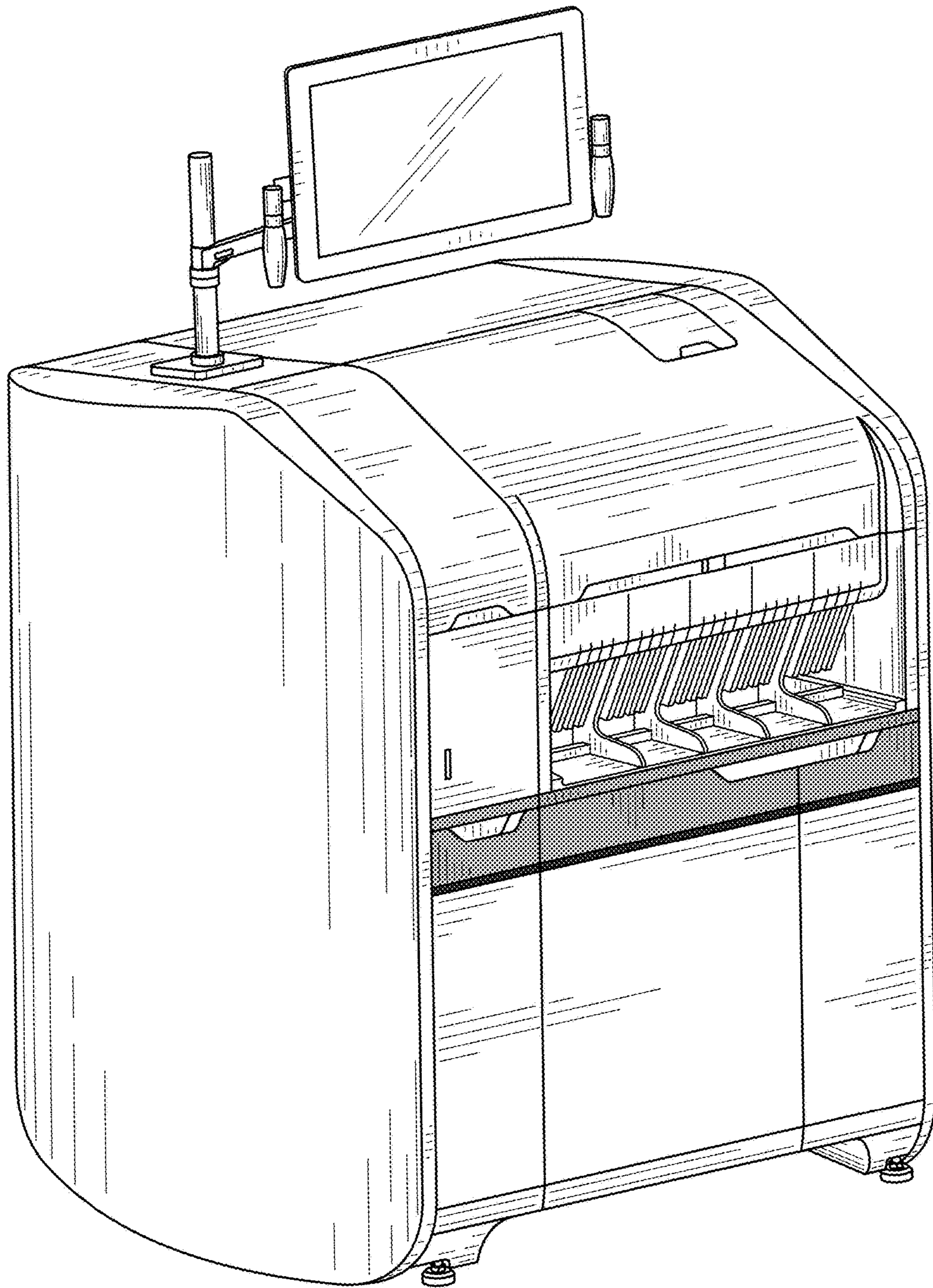


FIG. 8

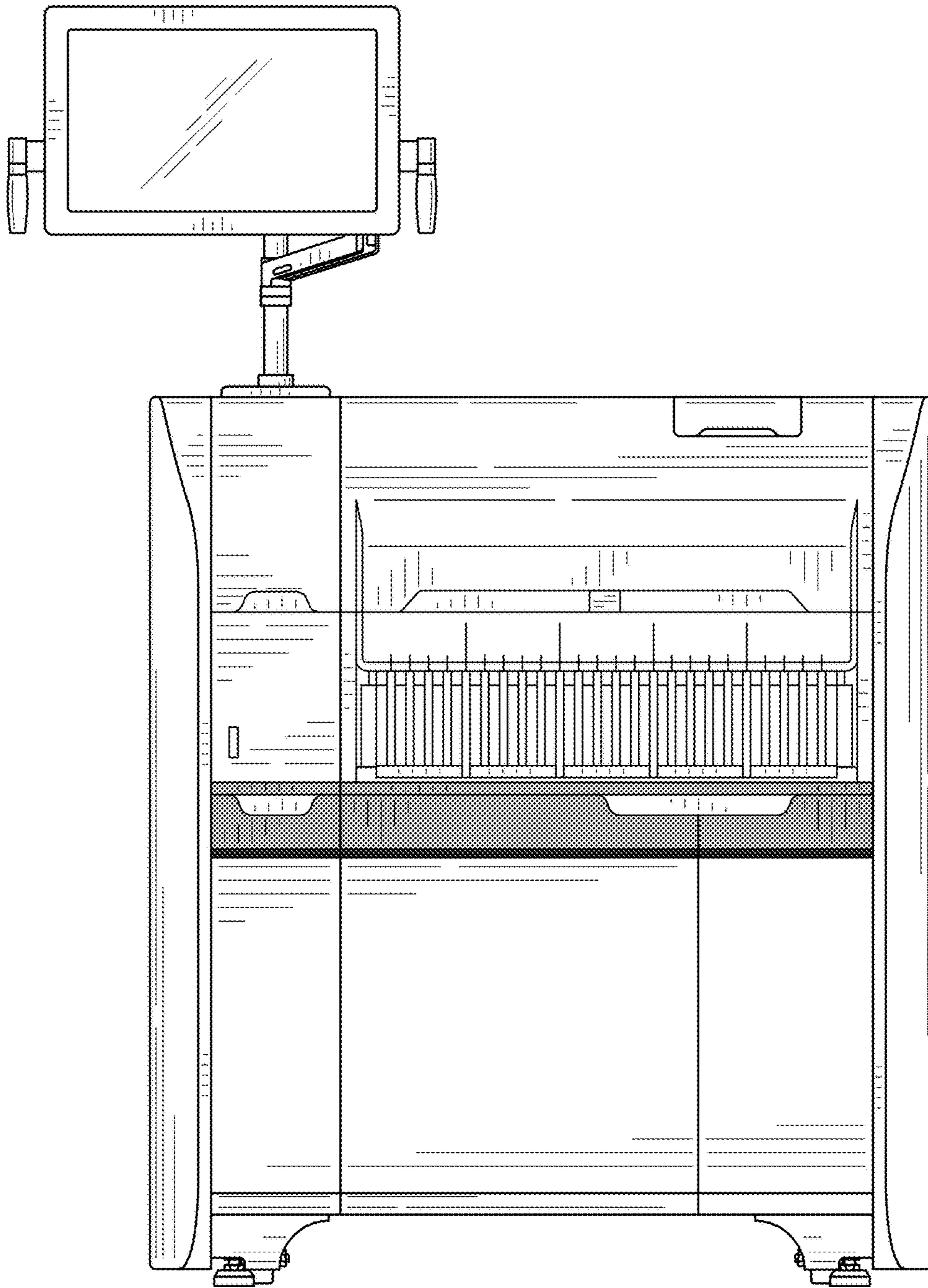


FIG. 9

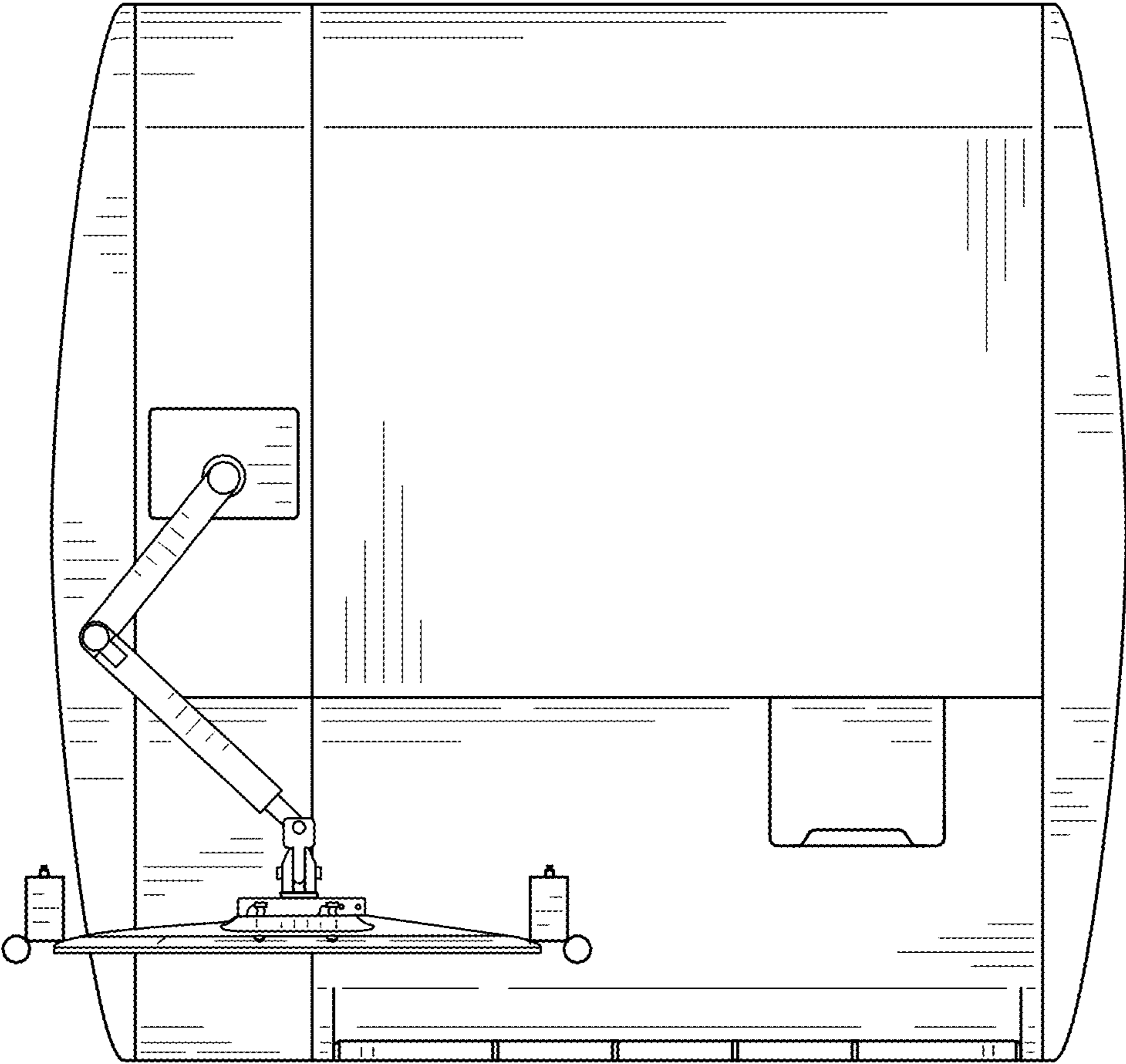


FIG. 10