



US00D802784S

(12) **United States Design Patent** (10) **Patent No.:** **US D802,784 S**
Lee (45) **Date of Patent:** **** Nov. 14, 2017**

(54) **MASSAGER**
(71) Applicant: **VEE INTERNATIONAL, INC.**,
Garden City, NY (US)
(72) Inventor: **Eric Lee**, Dix Hills, NY (US)
(73) Assignee: **VEE INTERNATIONAL, INC.**,
Garden City, NY (US)
(**) Term: **15 Years**
(21) Appl. No.: **29/555,870**
(22) Filed: **Feb. 25, 2016**
(51) **LOC (10) Cl.** **28-03**
(52) **U.S. Cl.**
USPC **D24/215**
(58) **Field of Classification Search**
USPC D24/200, 211, 212, 213, 214, 215;
601/19, 27-32, 46-48, 52, 99, 112-113,
601/118, 135, 137, DIG. 12, DIG. 14,
601/DIG. 15, DIG. 16, DIG. 17;
D30/160; D14/218, 138 AA
CPC A61H 19/00; A61H 19/30; A61H 19/32;
A61H 19/34; A61H 19/40; A61H 19/44;
A61H 19/50; A61H 2015/0007; A61H
2015/0014; A61H 2015/0042; A61H
15/00; A61H 7/003; A61H 7/005
See application file for complete search history.

D609,817 S * 2/2010 Piller D24/215
D649,656 S * 11/2011 Petersen D24/215
D674,109 S * 1/2013 Sedic D24/215
D681,225 S * 4/2013 Chen D24/215
D681,842 S * 5/2013 Chang D24/215
D740,433 S * 10/2015 Zhu A61H 15/0085
D24/215
D759,261 S * 6/2016 Son D24/215
D772,419 S * 11/2016 Courtion D24/200
D773,061 S * 11/2016 Loebel D24/200

* cited by examiner

Primary Examiner — Sandra Snapp
(74) *Attorney, Agent, or Firm* — Bodner & O'Rourke,
LLP; Gerald T. Bodner; Christian P. Bodner

(57) **CLAIM**

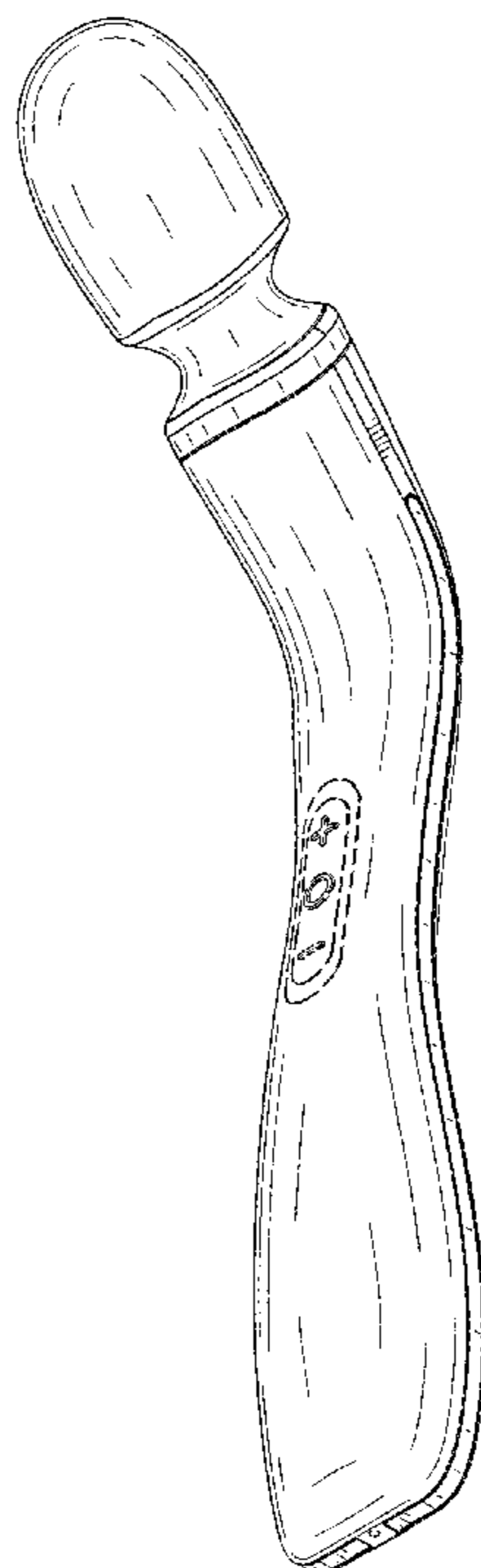
The ornamental design for a massager, as shown and described.

DESCRIPTION

FIG. 1 is a rear perspective view of a massager showing my new design;
FIG. 2 is a front perspective view thereof;
FIG. 3 is a top plan view thereof;
FIG. 4 is a bottom plan view thereof;
FIG. 5 is a right elevational view thereof, a left elevational view thereof being a mirror image of the right elevational view shown in FIG. 5;
FIG. 6 is a rear elevational view thereof; and,
FIG. 7 is a front elevational thereof.
Elements of the massager that are shown in broken lines, and those portions of the massager contained within the broken lines are for illustrative purposes only and form no part of the claimed design.

1 Claim, 3 Drawing Sheets

(56) **References Cited**
U.S. PATENT DOCUMENTS
D228,473 S * 9/1973 Koahido et al. D24/214
D559,992 S * 1/2008 Potter D24/214



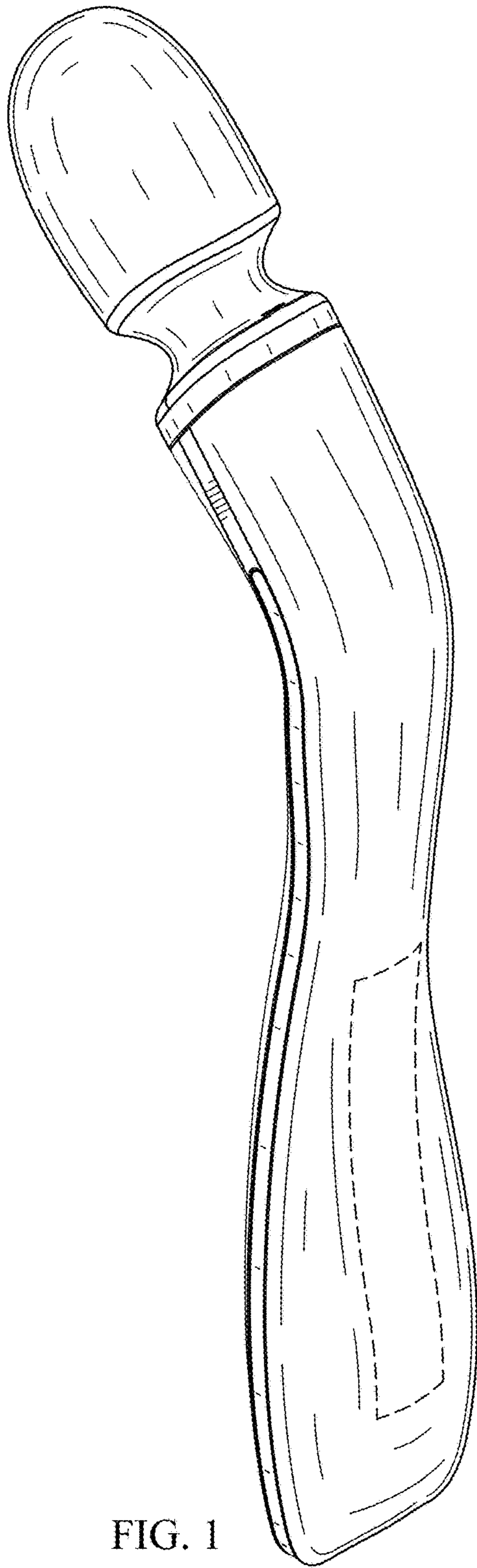


FIG. 1

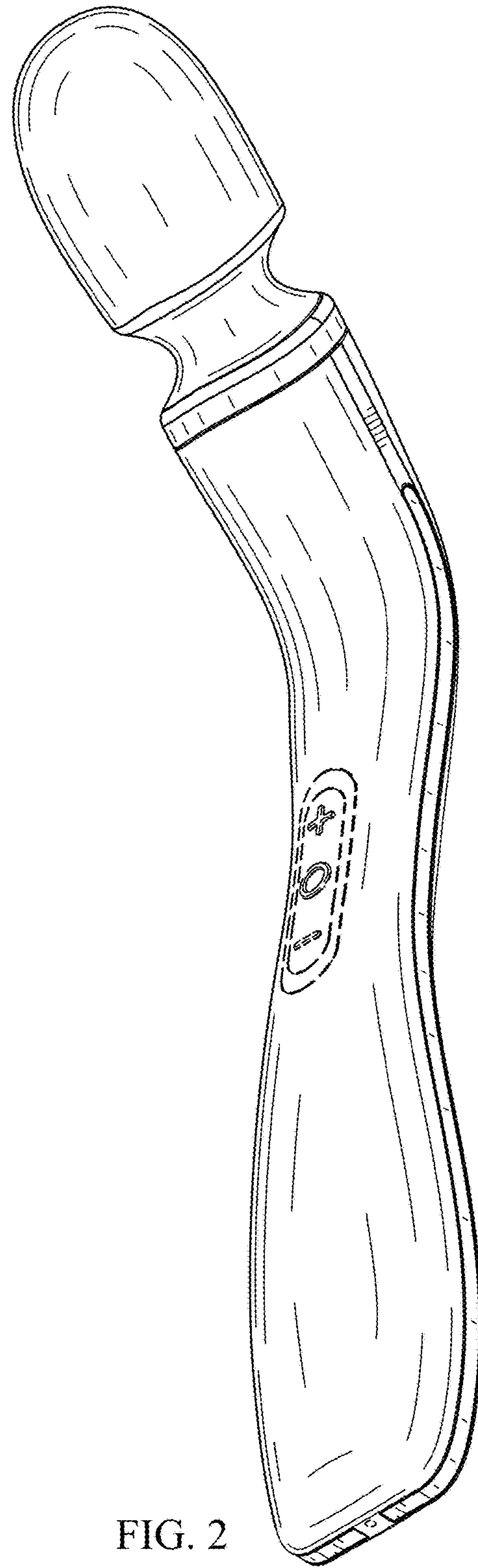


FIG. 2

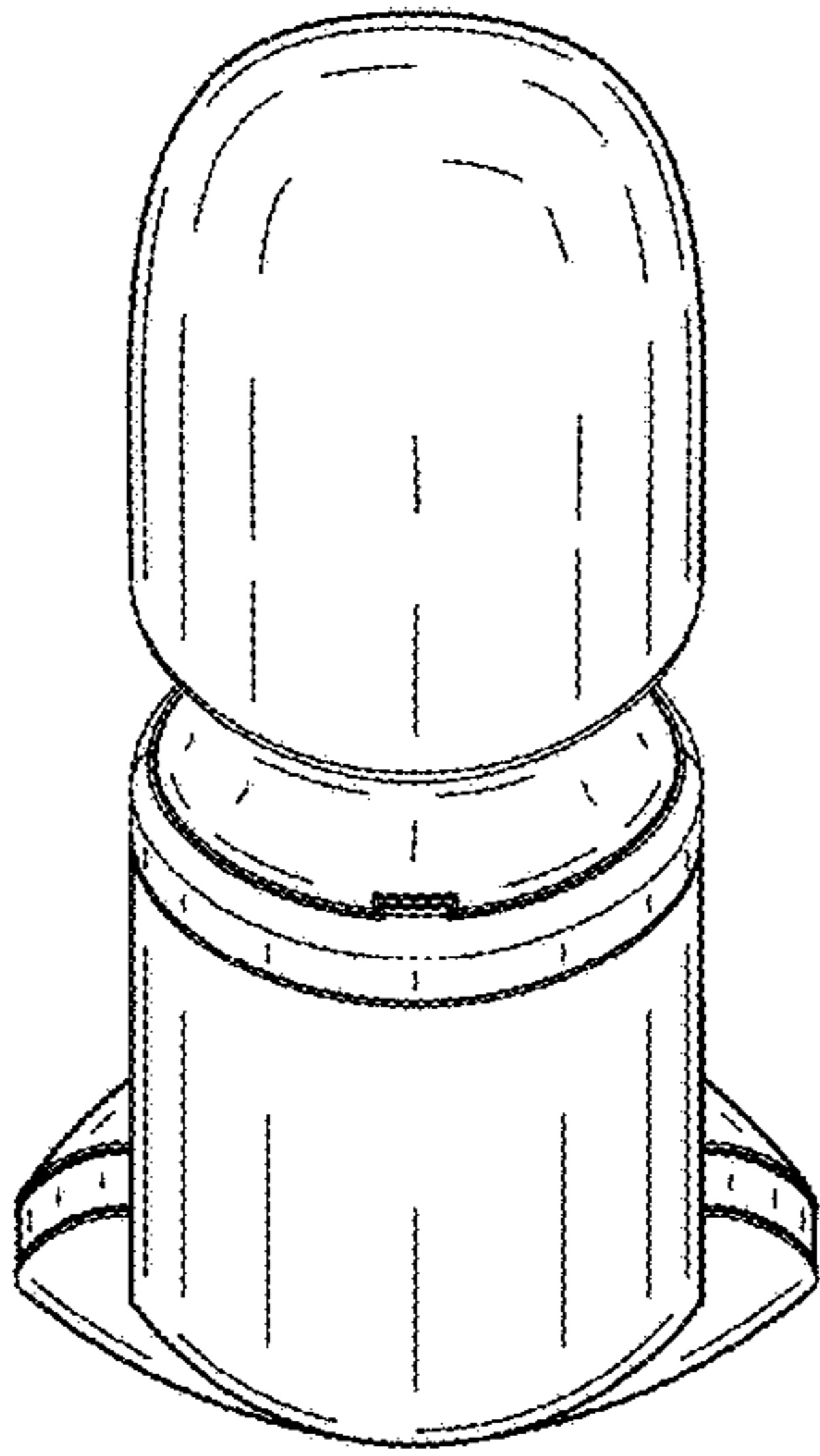


FIG. 3

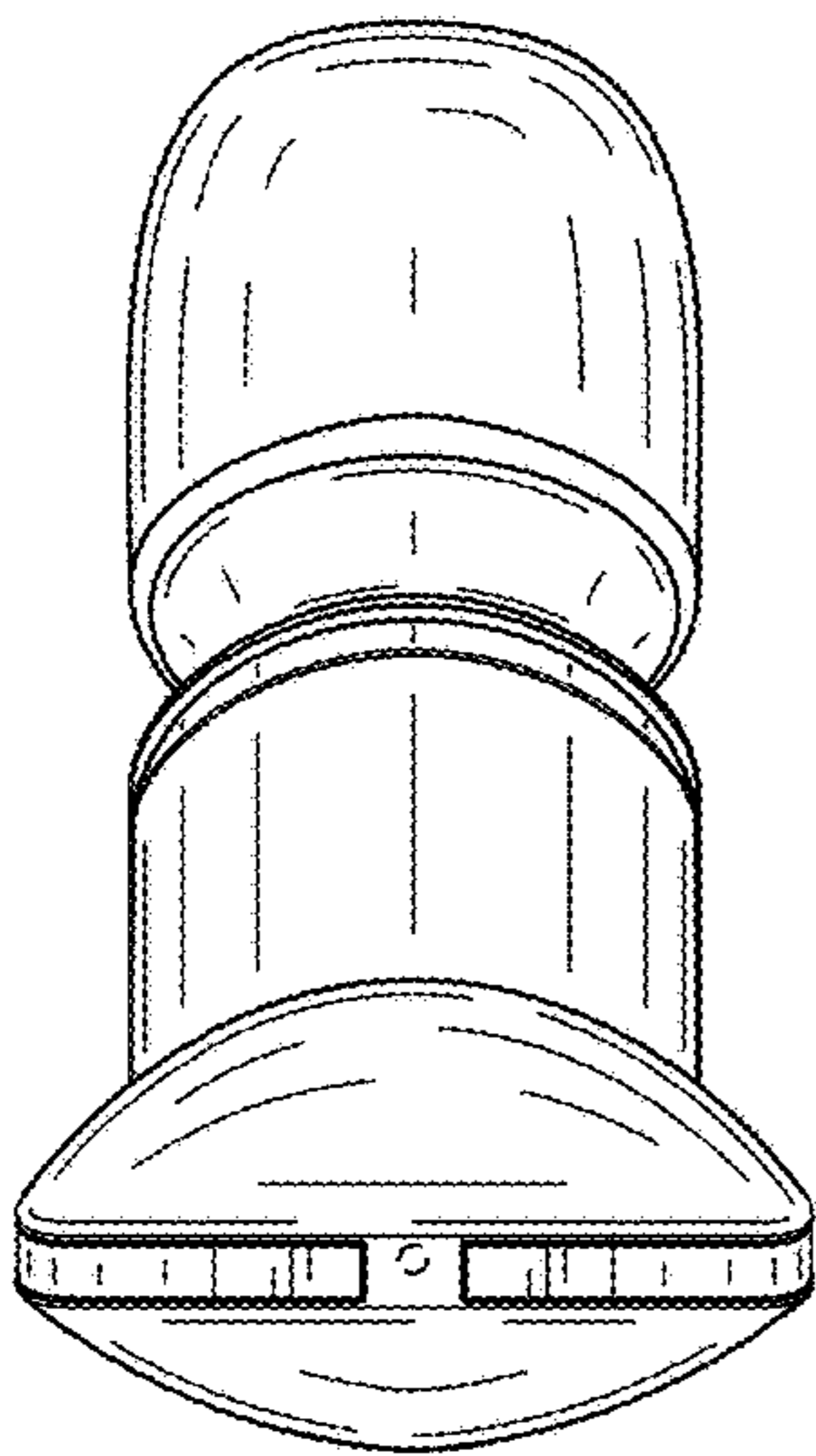


FIG. 4

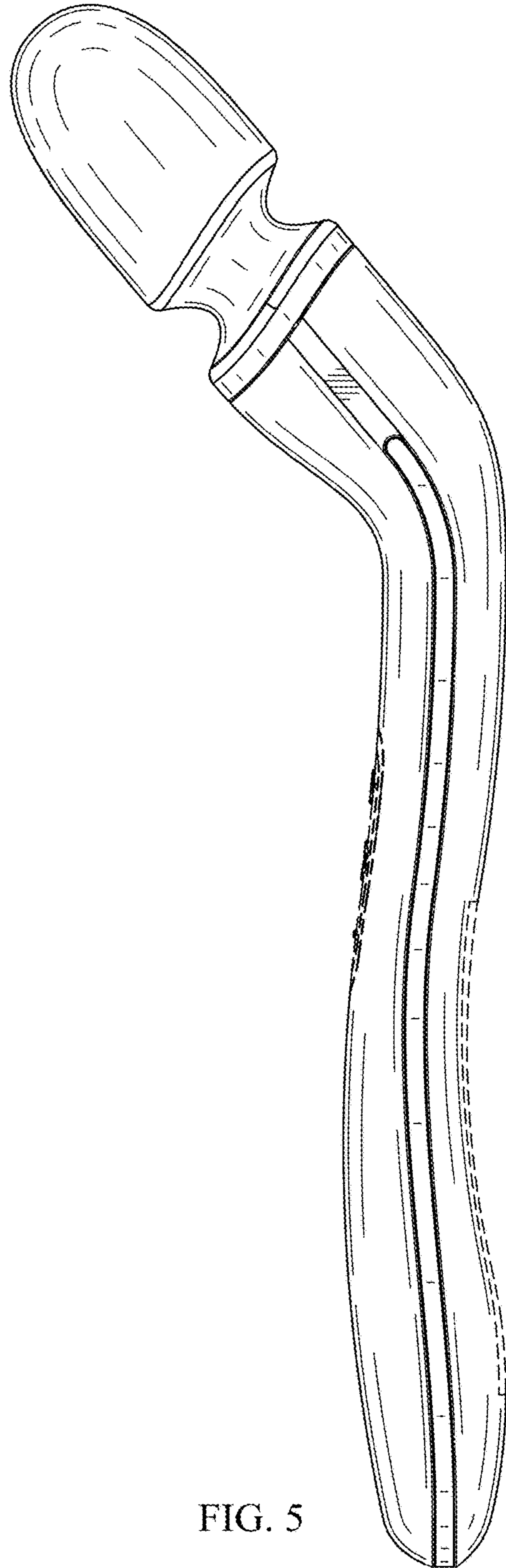


FIG. 5

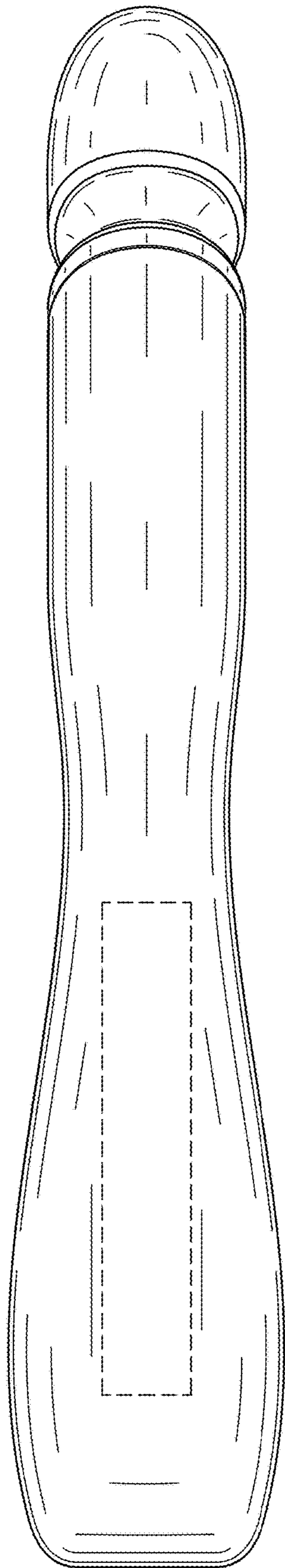


FIG. 6

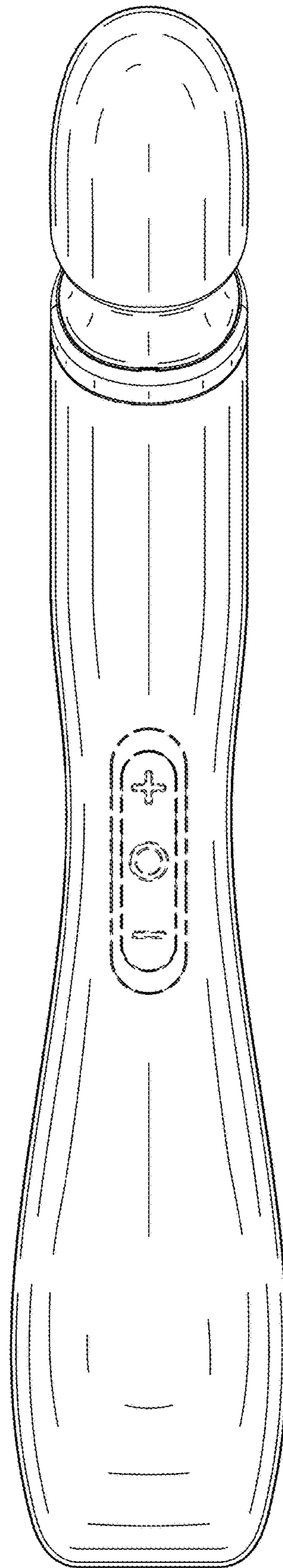


FIG. 7