



US00D802782S

(12) **United States Design Patent** (10) **Patent No.:** **US D802,782 S**
Cross (45) **Date of Patent:** **** Nov. 14, 2017**

(54) **BODY MASSAGING APPARATUS**
(71) Applicant: **RANGE OF MOTION PRODUCTS, LLC**, Rancho Santa Fe, CA (US)
(72) Inventor: **Terry Cross**, Blue Hull, ME (US)
(73) Assignee: **Range of Motion Products, LLC**, Rancho Santa Fe, CA (US)

(**) Term: **15 Years**
(21) Appl. No.: **29/566,055**

(22) Filed: **May 26, 2016**
(51) **LOC (10) Cl.** **28-03**
(52) **U.S. Cl.**
USPC **D24/211**
(58) **Field of Classification Search**
USPC D24/200, 211, 212, 213, 214, 215;
601/19, 27-32, 46-48, 52, 99, 112-113,
601/118, 135, 137, DIG. 12, DIG. 14,
601/DIG. 15, DIG. 16, DIG. 17; D30/160
CPC A61H 19/00; A61H 19/30; A61H 19/32;
A61H 19/34; A61H 19/40; A61H 19/44;
A61H 19/50; A61H 2015/0007; A61H
2015/0014; A61H 2015/0042; A61H
15/00; A61H 7/003; A61H 7/005
See application file for complete search history.

(56) **References Cited**

U.S. PATENT DOCUMENTS

D333,871 S * 3/1993 Grenko D24/211
D360,470 S * 7/1995 Ivy D24/211
5,730,708 A 3/1998 Spratt
D396,111 S * 7/1998 Chien D24/211
D396,295 S * 7/1998 Summers D24/211
D396,296 S * 7/1998 Breznik D24/211
D396,297 S * 7/1998 Breznik D24/211
5,792,081 A 8/1998 Cross
D405,887 S * 2/1999 Antoskow D24/211
D405,888 S * 2/1999 Antoskow D24/211

D452,572 S * 12/2001 Nakamura D24/200
2011/0137218 A1 6/2011 Collins
2013/0289454 A1 10/2013 Wang et al.

FOREIGN PATENT DOCUMENTS

WO 2013/070632 A1 5/2013

OTHER PUBLICATIONS

International Search Report & Written Opinion for PCT/US16/26836 dated Aug. 18, 2016; 6 pages.

* cited by examiner

Primary Examiner — Sandra Snapp
(74) *Attorney, Agent, or Firm* — Loza & Loza, LLP;
Heidi Eisenhut

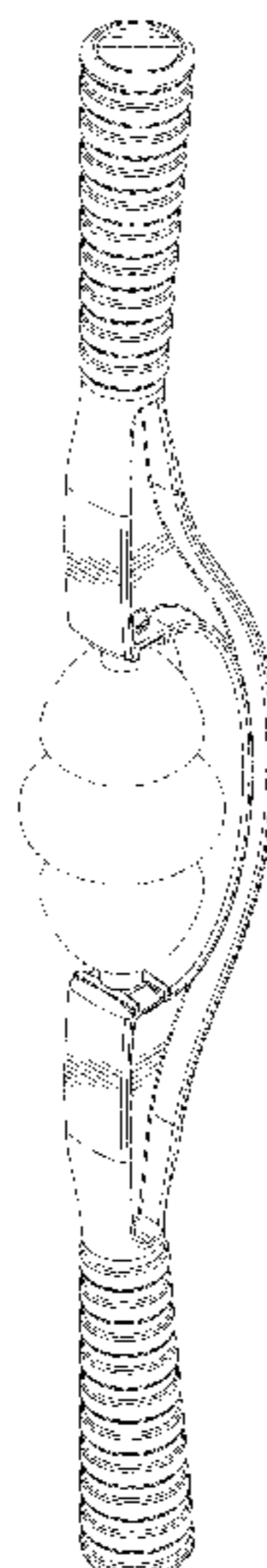
(57) **CLAIM**

The ornamental design for a body massaging apparatus, as shown and described.

DESCRIPTION

FIG. 1 is a top left perspective view of a first side of a body massaging apparatus according to the present invention; FIG. 2 is a top left perspective view of a second side of the of the body massaging apparatus of FIG. 1; FIG. 3 is a first side elevation of the body massaging apparatus of FIG. 1; FIG. 4 is a second side elevation of the body massaging apparatus of FIG. 1; FIG. 5 is a front elevation view of the body massaging apparatus of FIG. 1; FIG. 6 is a back elevation view of the body massaging apparatus of FIG. 1; FIG. 7 is a top plan view of the body massaging apparatus of FIG. 1; and, FIG. 8 is a bottom plan view of the body massaging apparatus of FIG. 1. Dashed lines indicate material disclaimed from the invention and are for purposes of illustration only.

1 Claim, 5 Drawing Sheets



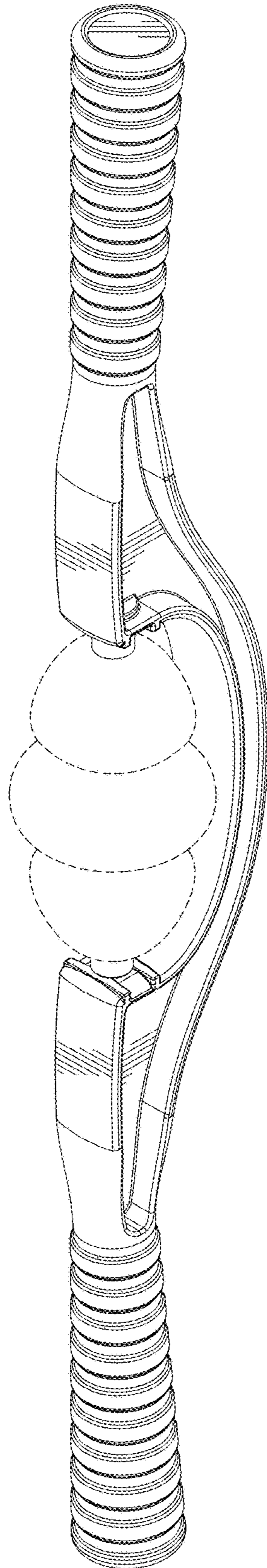


FIG. 1

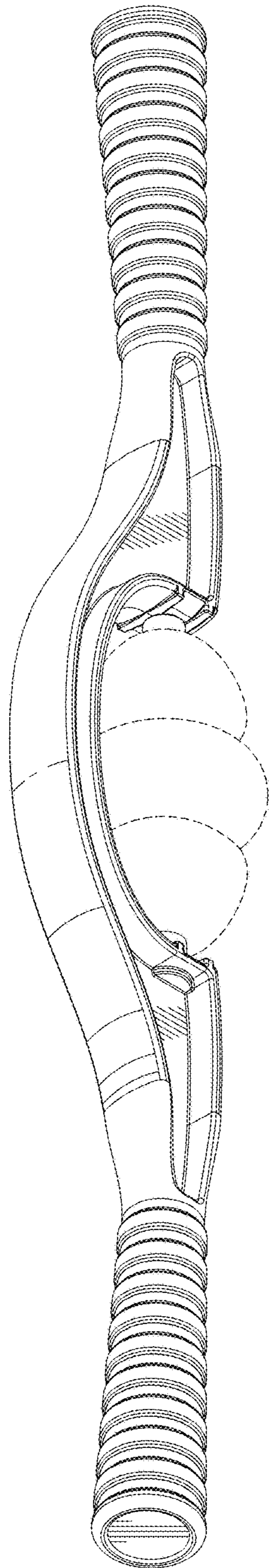


FIG. 2

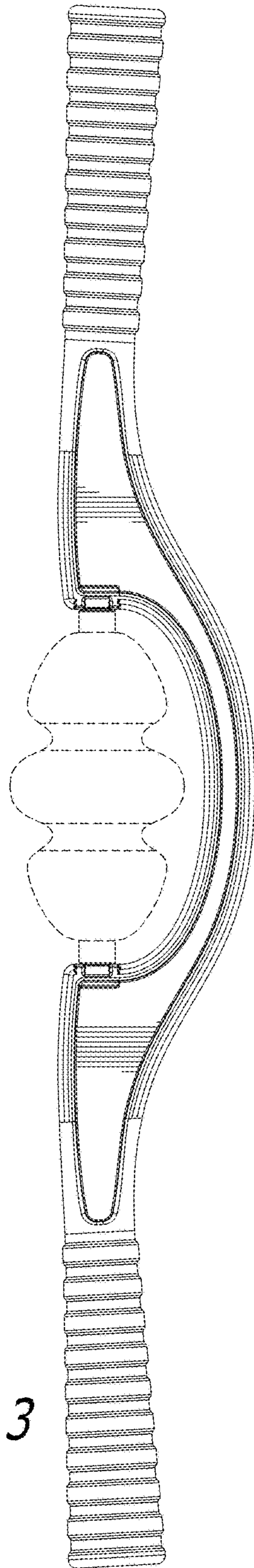


FIG. 3

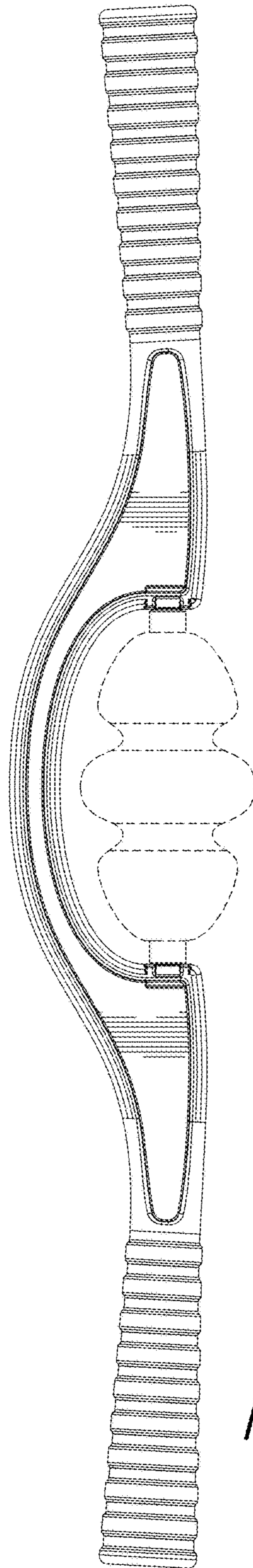


FIG. 4

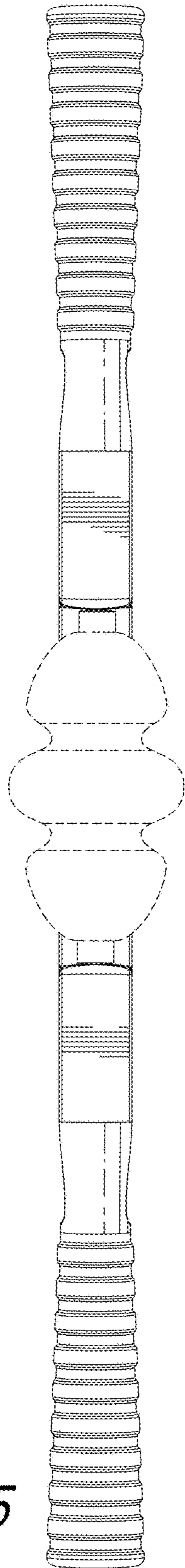


FIG. 5

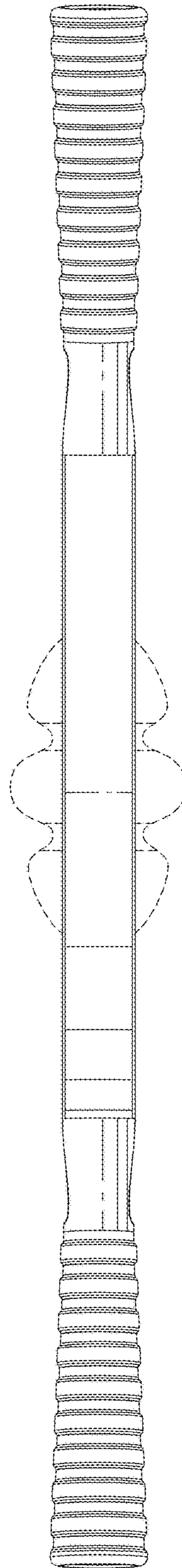


FIG. 6

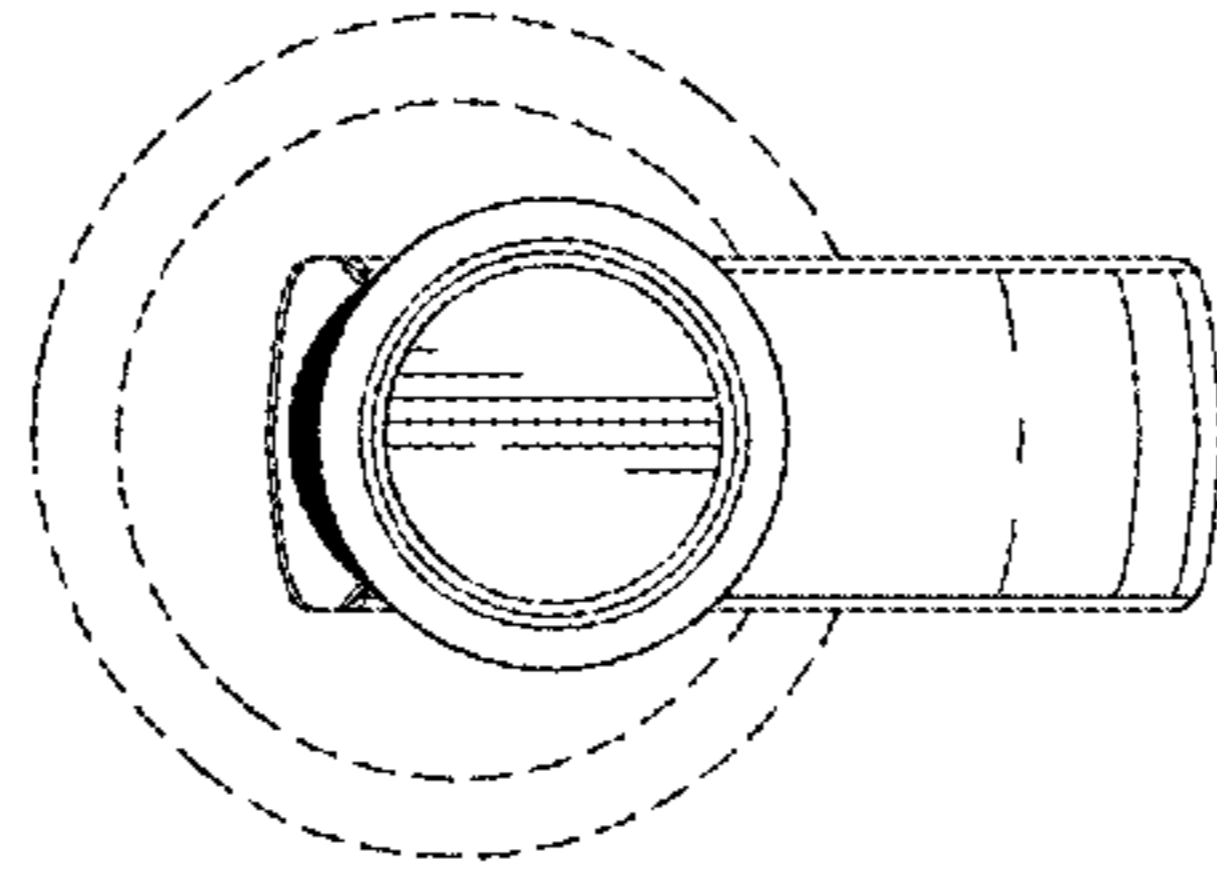


FIG. 7

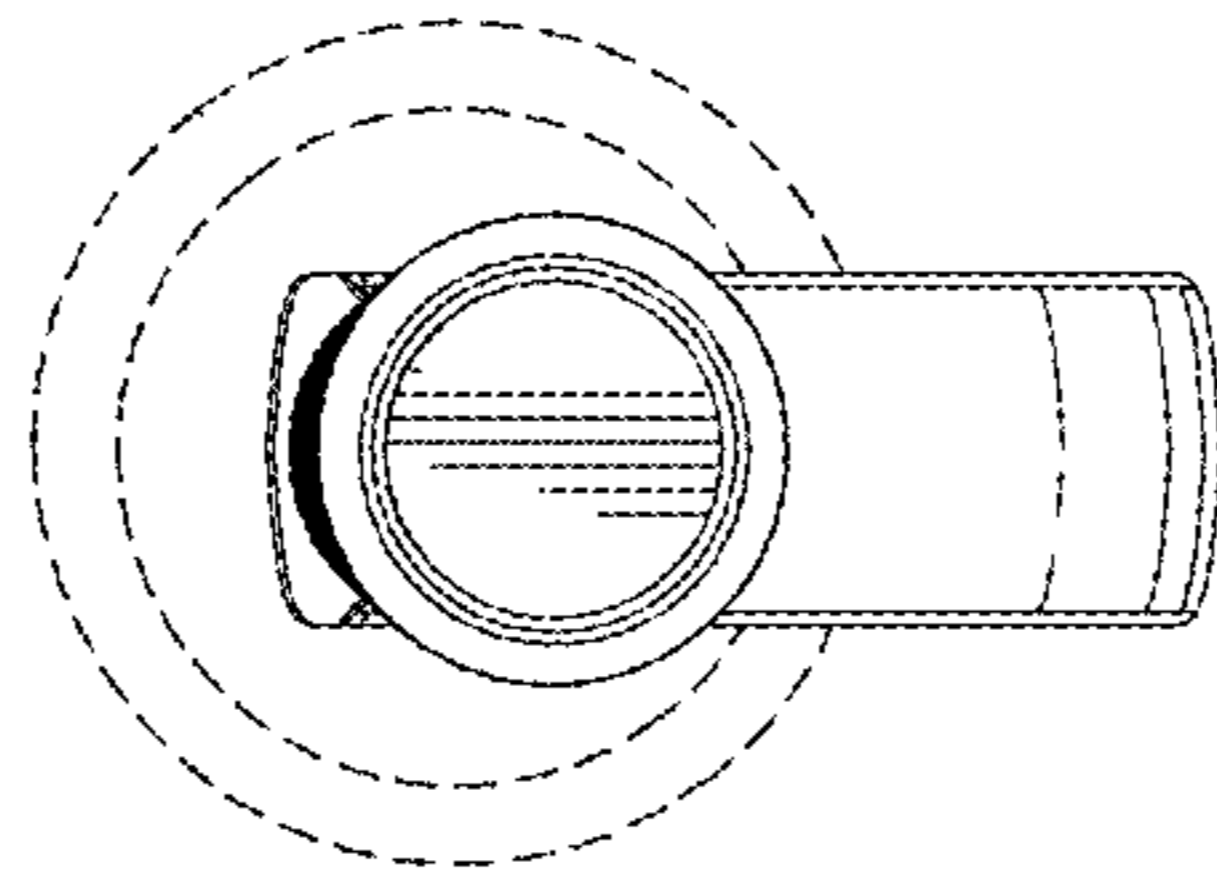


FIG. 8