



US00D802781S

(12) **United States Design Patent** (10) **Patent No.:** **US D802,781 S**  
**Moorehead** (45) **Date of Patent:** **\*\* Nov. 14, 2017**

(54) **RACING THEMED MASSAGE AID**  
(71) Applicant: **Kenneth Moorehead**, Vallejo, CA (US)  
(72) Inventor: **Kenneth Moorehead**, Vallejo, CA (US)  
(\*\*) Term: **15 Years**  
(21) Appl. No.: **29/552,742**  
(22) Filed: **Jan. 26, 2016**  
(51) **LOC (10) Cl.** ..... **28-03**  
(52) **U.S. Cl.**  
USPC ..... **D24/211**  
(58) **Field of Classification Search**  
USPC ..... D24/200, 211, 212, 213, 214, 215;  
601/19, 27-32, 46-48, 52, 99, 112-113,  
601/118, 135, 137, DIG. 12, DIG. 14,  
601/DIG. 15, DIG. 16, DIG. 17;  
D30/160; D14/218, 138 AA  
CPC ..... A61H 19/00; A61H 19/30; A61H 19/32;  
A61H 19/34; A61H 19/40; A61H 19/44;  
A61H 19/50; A61H 2015/0007; A61H  
2015/0014; A61H 2015/0042; A61H  
15/00; A61H 7/003; A61H 7/005  
See application file for complete search history.

(56) **References Cited**

**U.S. PATENT DOCUMENTS**

D272,517 S \* 2/1984 Koehn ..... D25/199  
D279,126 S \* 6/1985 Kaeser ..... D24/211  
4,550,718 A \* 11/1985 Kaeser ..... A61H 15/0092  
15/144.2

D357,984 S 5/1995 Heck  
5,597,159 A 1/1997 Haygood et al.  
7,244,200 B2 7/2007 Goldberg  
7,422,530 B1 9/2008 Olaveson  
8,092,408 B2 1/2012 Sloan  
8,157,709 B2 4/2012 Wilkinson et al.  
D690,431 S \* 9/2013 Nohr ..... D24/215  
D727,518 S \* 4/2015 Moorehead ..... D24/211  
D727,519 S \* 4/2015 Moorehead ..... D24/211  
D727,520 S \* 4/2015 Moorehead ..... D24/211  
D727,521 S \* 4/2015 Moorehead ..... D24/211  
D727,522 S \* 4/2015 Moorehead ..... D24/211  
D728,116 S \* 4/2015 Moorehead ..... D24/211  
2006/0016034 A1 1/2006 Hillenbrand  
2008/0154161 A1 6/2008 Abbott

\* cited by examiner

*Primary Examiner* — Sandra Snapp

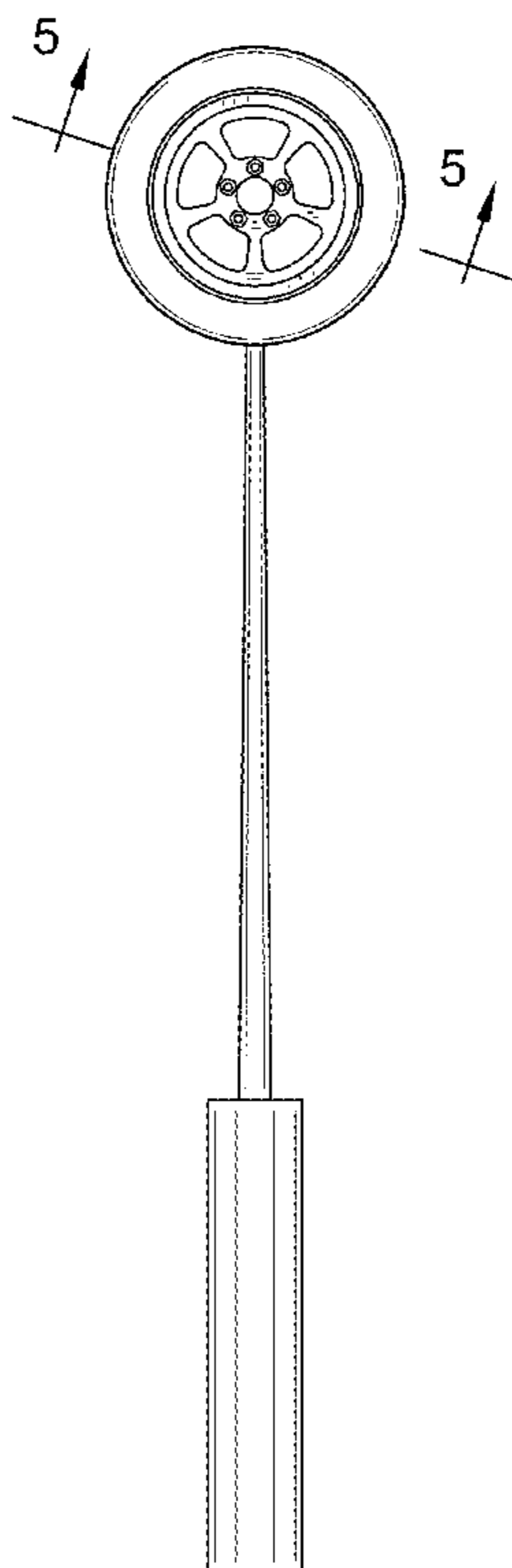
(57) **CLAIM**

The ornamental design for a racing themed massage aid, as shown and described.

**DESCRIPTION**

FIG. 1 is a front view of a racing themed massage aid showing my new design, a back view being the same; FIG. 2 is a left side view of the racing themed massage aid, a right side view being the same; FIG. 3 is a top view of the racing themed massage aid; FIG. 4 is a bottom view of the racing themed massage aid; and, FIG. 5 is a cross-sectional view of the racing themed massage aid taken along line 5-5 of FIG. 1.

**1 Claim, 3 Drawing Sheets**



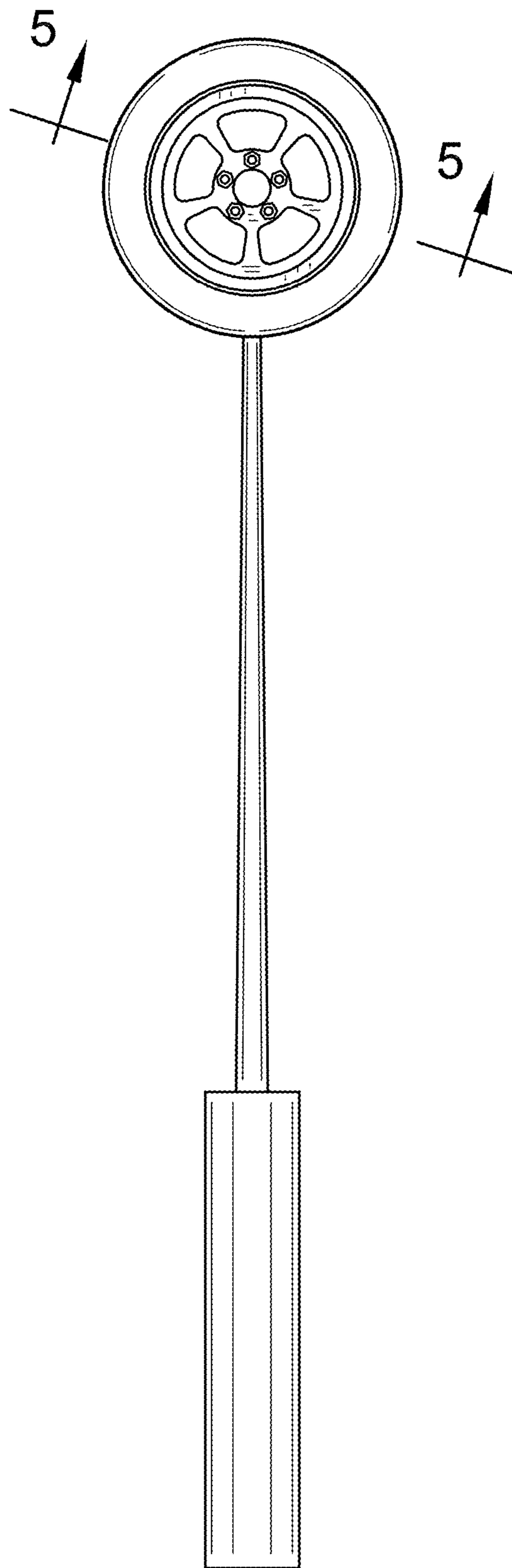


FIG. 1

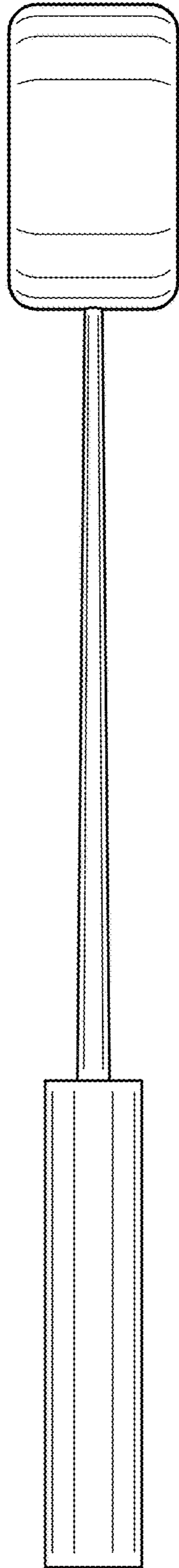


FIG. 2

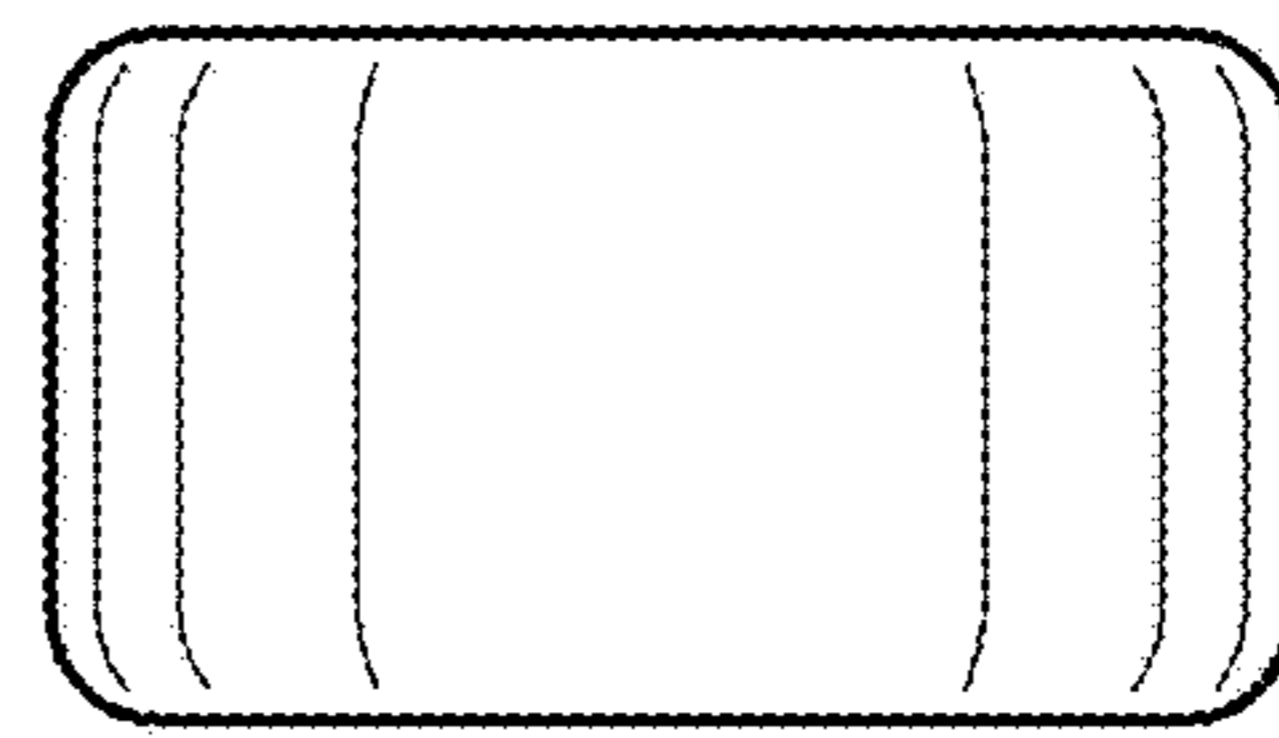


FIG. 3

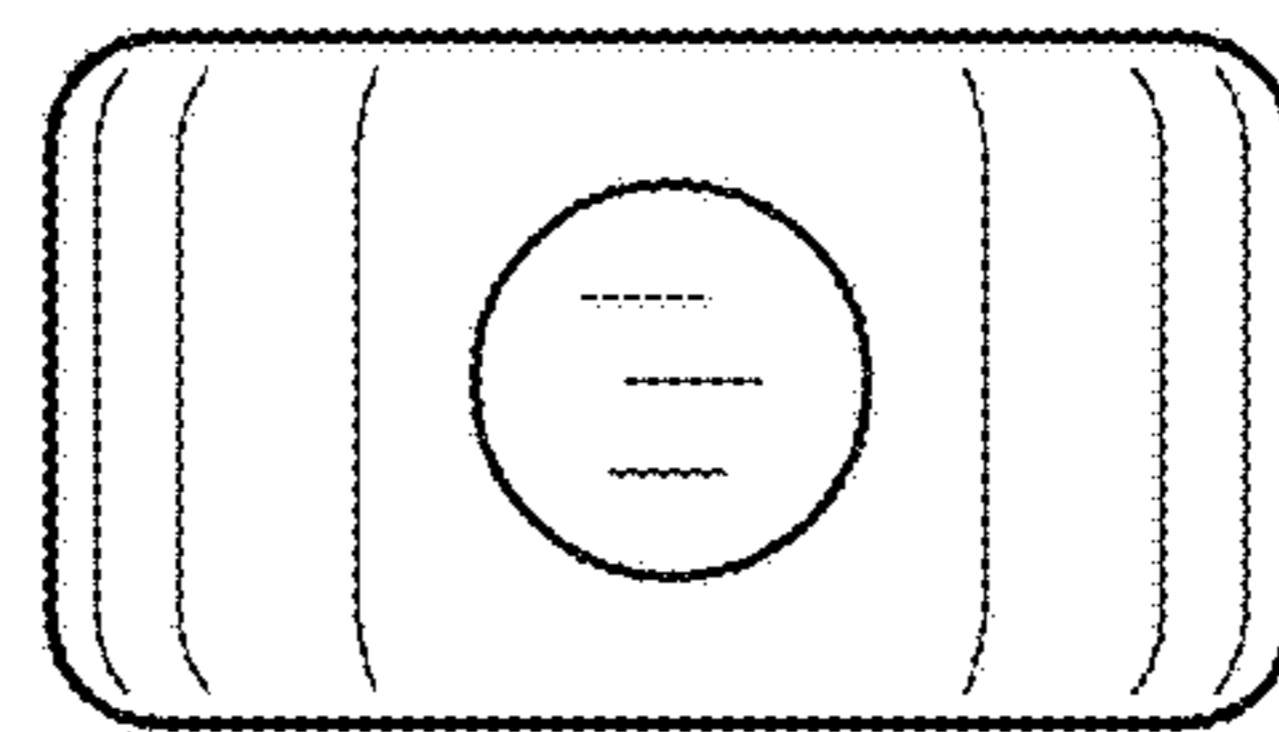


FIG. 4

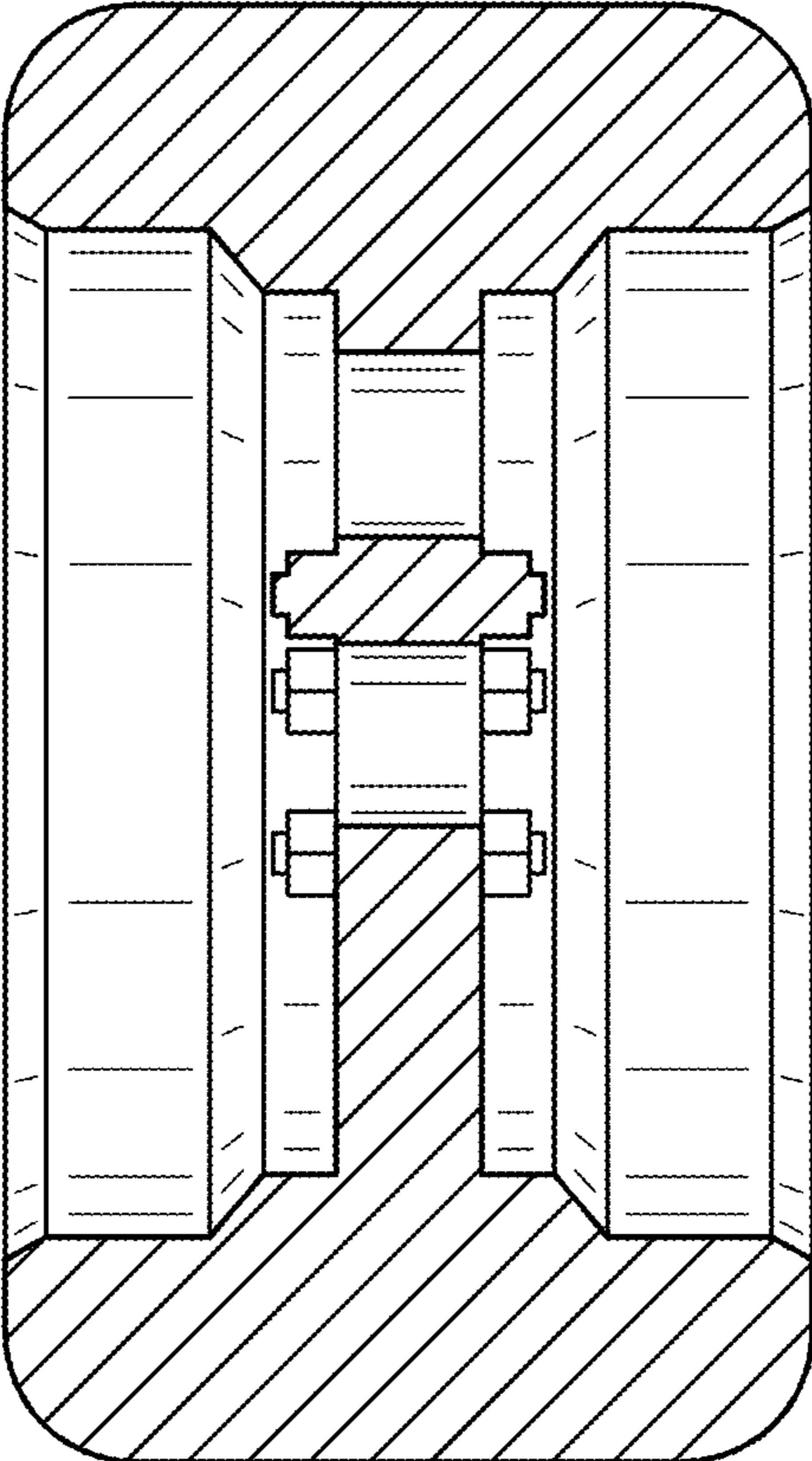


FIG. 5