



US00D802777S

(12) **United States Design Patent**  
**Burachynsky et al.**

(10) **Patent No.:** **US D802,777 S**

(45) **Date of Patent:** **\*\* Nov. 14, 2017**

(54) **PROBE HANDLE**

(71) Applicant: **Kyphon SÀRL**, Neuchâtel (CH)

(72) Inventors: **Natalia Burachynsky**, Toronto (CA);  
**Neil Godara**, Milton (CA); **Zhifeng Zhou**, Toronto (CA); **Larry Henan Chen**, Guelph (CA); **Robert Harrison**, Milton (CA)

(73) Assignee: **Kyphon SÀRL**, Neuchâtel (CH)

(\*\*) Term: **15 Years**

(21) Appl. No.: **29/542,486**

(22) Filed: **Oct. 14, 2015**

(51) **LOC (10) Cl.** ..... **24-02**

(52) **U.S. Cl.**  
USPC ..... **D24/187; D24/133**

(58) **Field of Classification Search**  
USPC ..... D24/186-187, 133, 138, 107; D10/78;  
D8/83, 107  
CPC ..... A61B 18/14; A61B 5/0095; A61B 5/1455;  
A61B 8/4444; A61B 8/4455  
See application file for complete search history.

(56) **References Cited**

**U.S. PATENT DOCUMENTS**

7,442,191 B2 \* 10/2008 Hovda ..... A61B 18/1402  
604/114  
D634,849 S \* 3/2011 Kanokogi ..... D24/187

D667,557 S \* 9/2012 Boudier ..... D24/186  
D679,021 S \* 3/2013 Tani ..... D24/187  
D691,718 S \* 10/2013 Ryan ..... D24/133  
D704,844 S \* 5/2014 Saeki ..... D24/187  
D746,995 S \* 1/2016 Matsumura ..... D24/187

\* cited by examiner

*Primary Examiner* — Wan Laymon

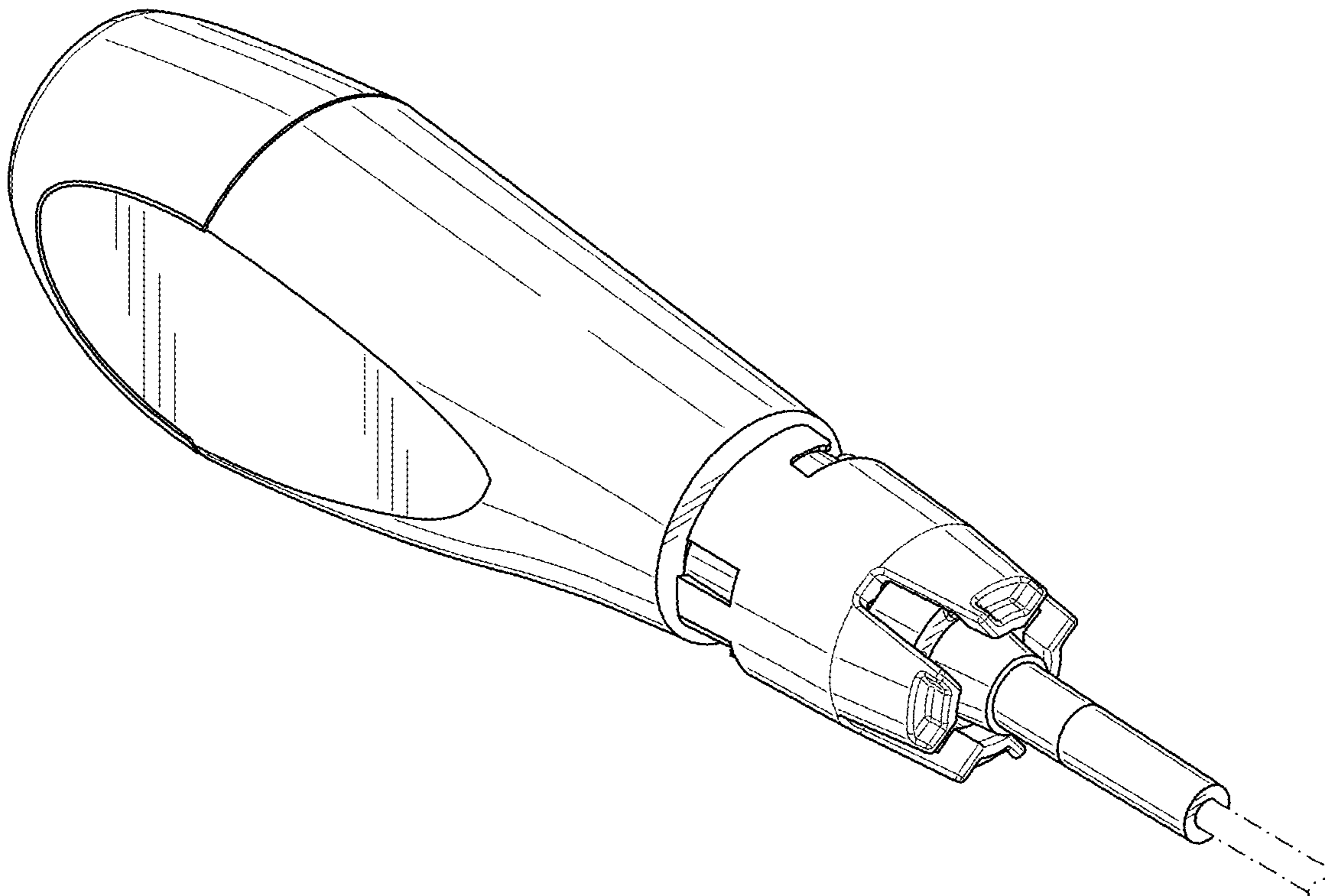
(57) **CLAIM**

The ornamental design for a probe handle, as shown and described.

**DESCRIPTION**

FIG. 1 is a left, front and top perspective view of a probe handle, showing our new design;  
FIG. 2 is a right, back and bottom perspective view of the probe handle of FIG. 1;  
FIG. 3 is a left side view of the probe handle of FIG. 1;  
FIG. 4 is a front view of the probe handle of FIG. 1;  
FIG. 5 is a right side view of the probe handle of FIG. 1;  
FIG. 6 is a back view of the probe handle of FIG. 1;  
FIG. 7 is a top view of the probe handle of FIG. 1; and,  
FIG. 8 is a bottom view of the probe handle of FIG. 1.  
The broken lines immediately adjacent the shaded areas represent the bounds of the claimed design while all other broken lines are directed to environment and are for illustrative purposes only; the broken lines form no part of the claimed design.

**1 Claim, 5 Drawing Sheets**



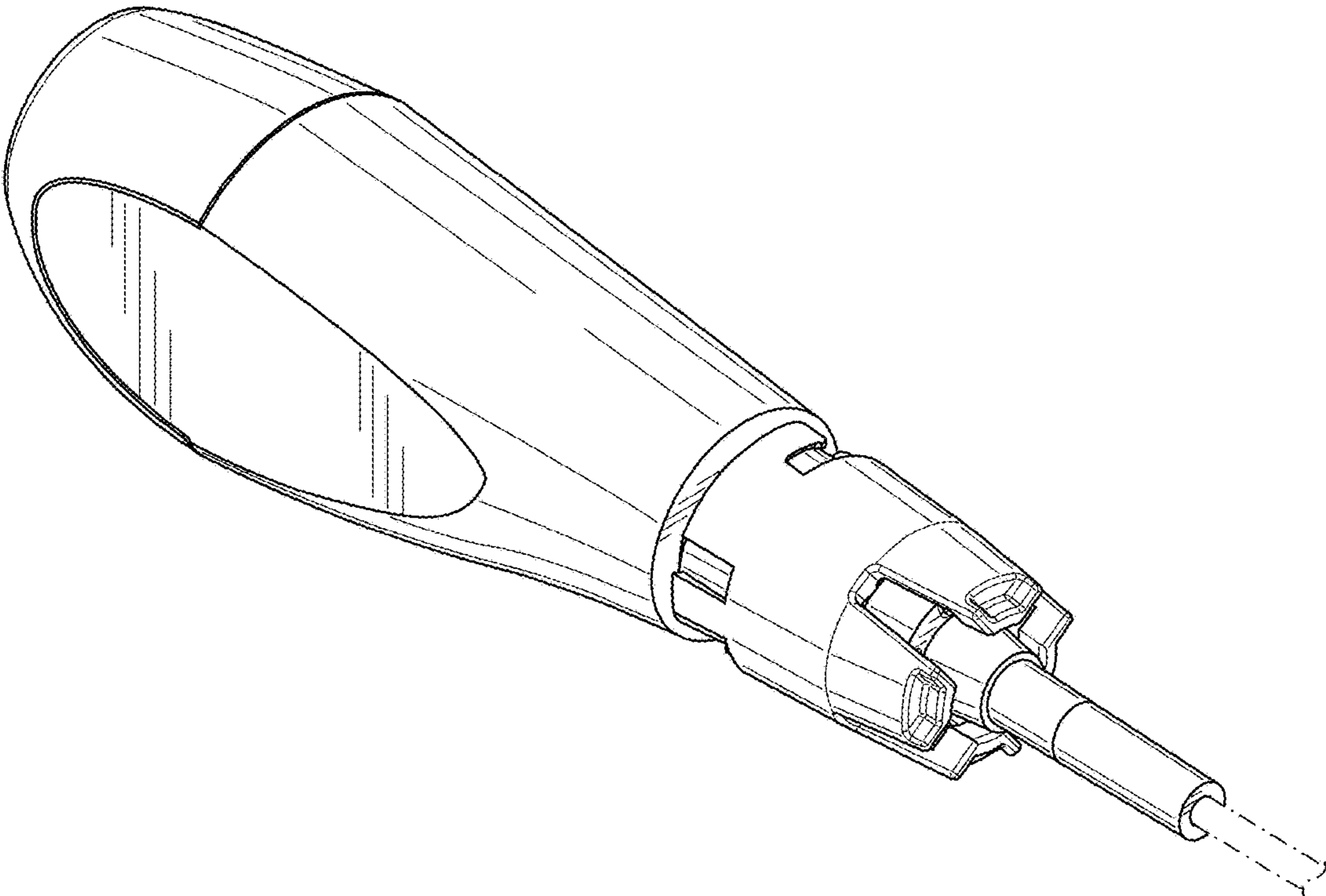
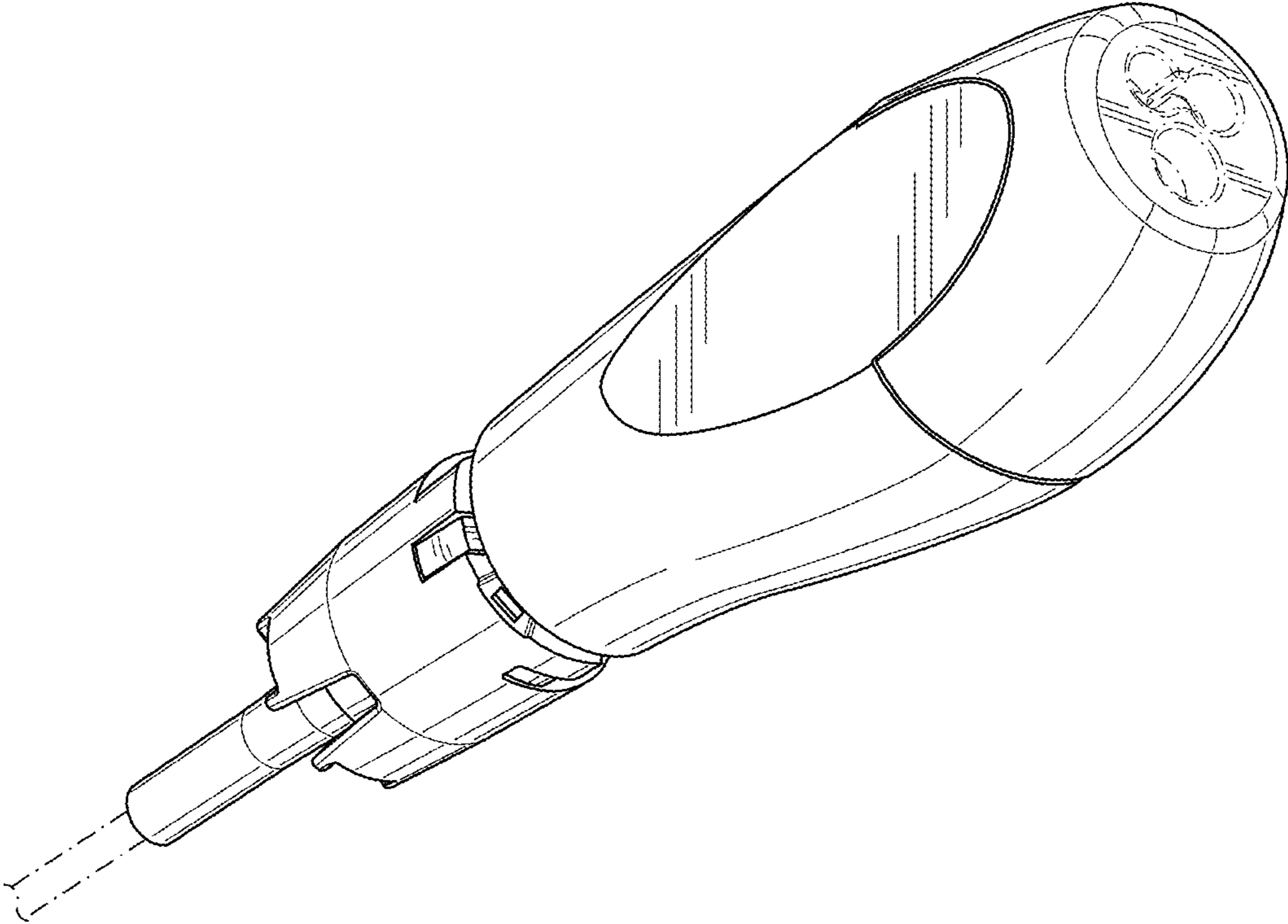
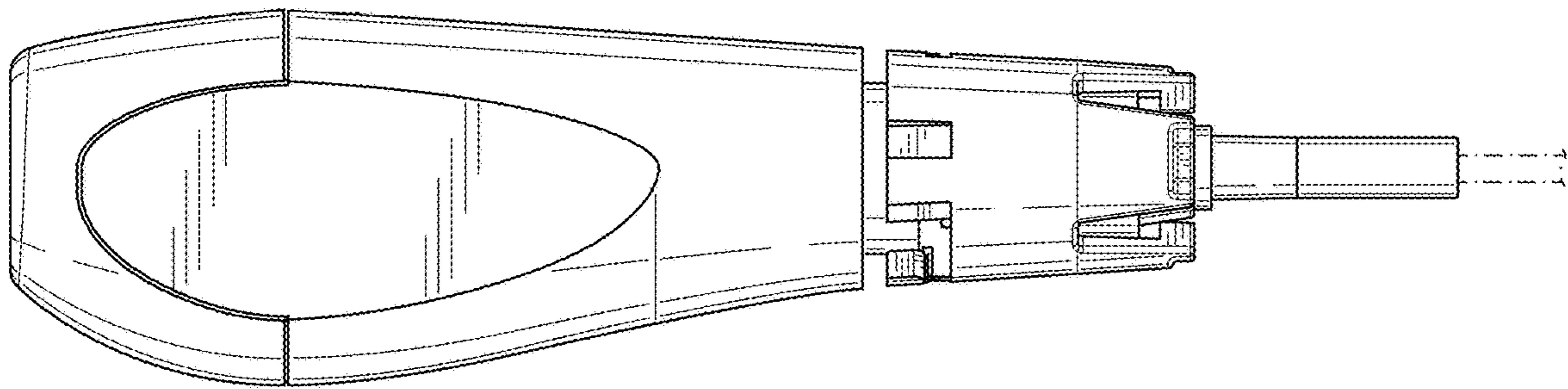


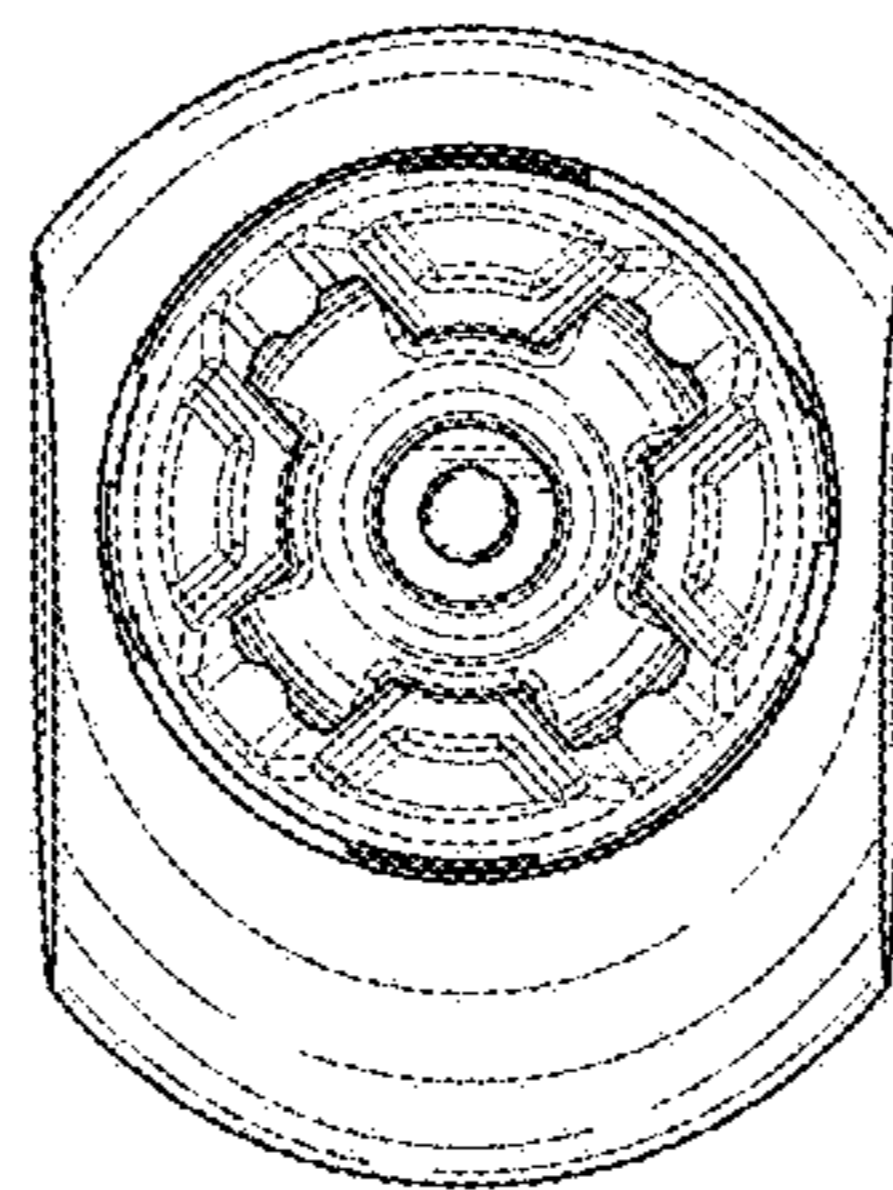
FIG. 1



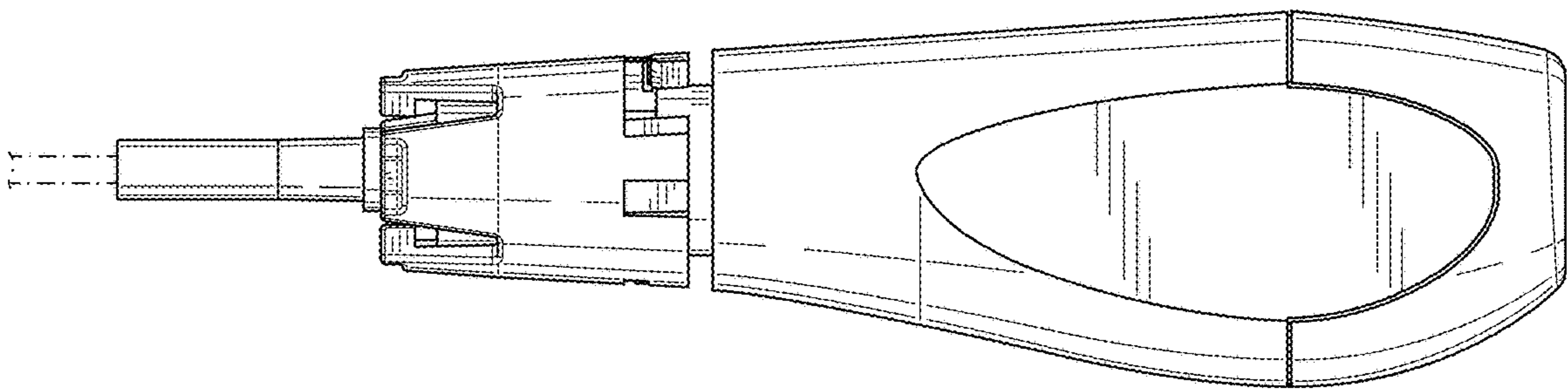
**FIG. 2**



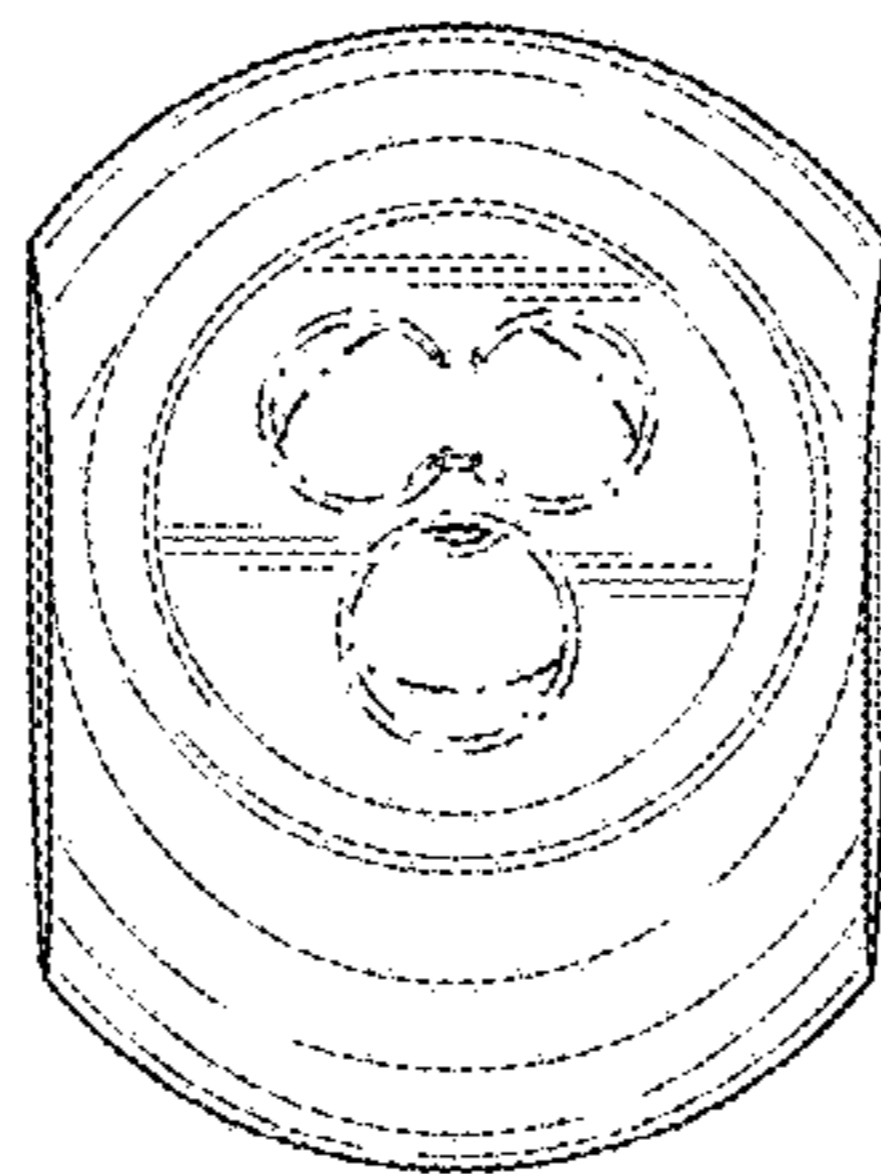
**FIG. 3**



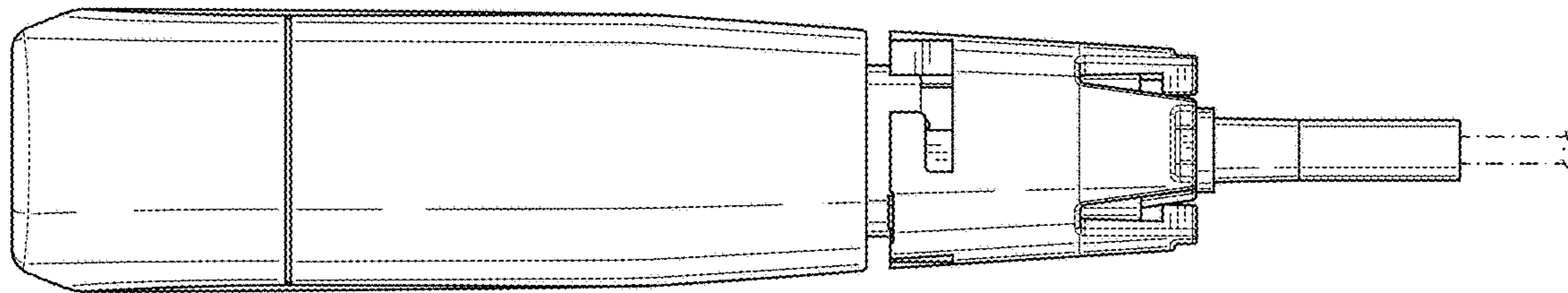
**FIG. 4**



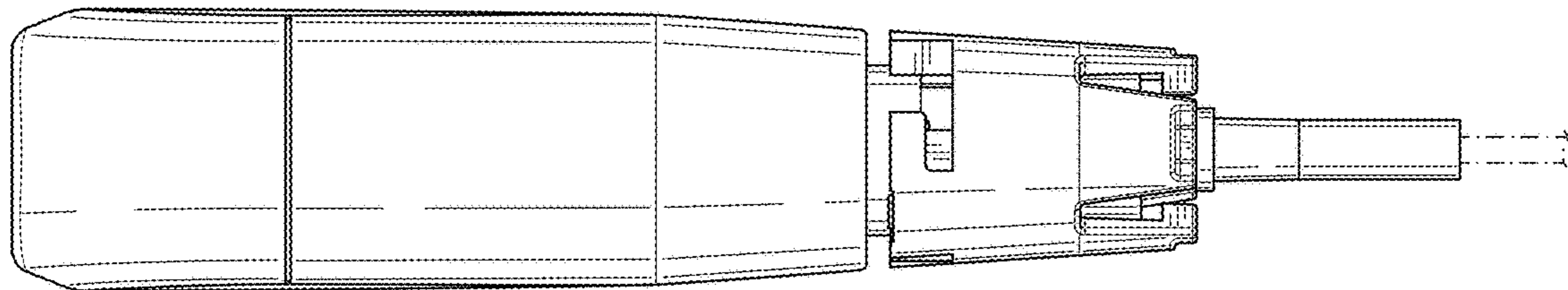
**FIG. 5**



**FIG. 6**



**FIG. 7**



**FIG. 8**