



US00D802773S

(12) **United States Design Patent** (10) **Patent No.:** **US D802,773 S**  
**Viazis** (45) **Date of Patent:** **\*\* Nov. 14, 2017**

- (54) **ORTHODONTIC BRACKET**
- (71) Applicant: **ORALECT LICENSING, LTD.**,  
Dallas, TX (US)
- (72) Inventor: **Anthony D. Viazis**, Dallas, TX (US)
- (73) Assignee: **ORALECT LICENSING, LTD.**,  
Dallas, TX (US)
- (\*\*) Term: **15 Years**
- (21) Appl. No.: **29/580,250**
- (22) Filed: **Oct. 6, 2016**
- (51) **LOC (10) Cl.** ..... **24-02**
- (52) **U.S. Cl.**  
USPC ..... **D24/180**
- (58) **Field of Classification Search**  
USPC ..... D24/176–182  
CPC .... A61C 7/00; A61C 7/12; A61C 7/14; A61C  
7/141; A61C 7/145; A61C 7/146; A61C  
7/287; A61C 7/30; A61C 7/148; A61C  
7/282  
See application file for complete search history.

- (56) **References Cited**  
U.S. PATENT DOCUMENTS  
D331,975 S \* 12/1992 Pospisil ..... D24/180  
D339,421 S \* 9/1993 Schultz ..... D24/180  
5,282,743 A \* 2/1994 Miura ..... A61C 7/12  
433/10  
D367,116 S \* 2/1996 Viazis ..... D24/180  
D687,554 S \* 8/2013 Kooiman ..... D24/180

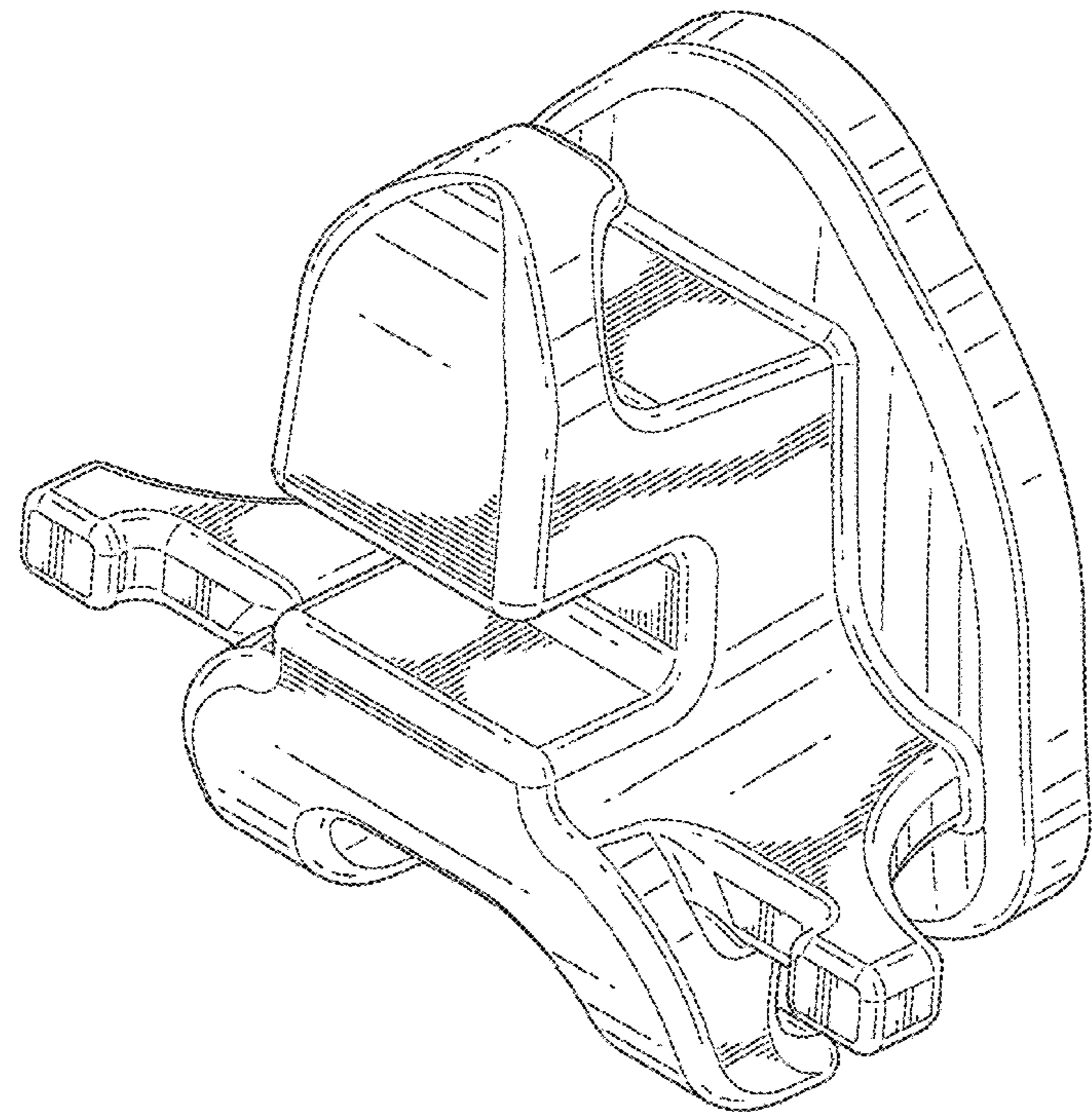
- 8,708,698 B2 \* 4/2014 Antignano ..... A61C 7/12  
433/14
- 2007/0243497 A1 \* 10/2007 Voudouris ..... A61C 7/141  
433/10
- 2016/0262851 A1 \* 9/2016 Curiel ..... A61C 7/287
- \* cited by examiner

*Primary Examiner* — Wan Laymon  
(74) *Attorney, Agent, or Firm* — Jeffrey G. Degenfelder;  
David W. Carstens; Carstens & Cahoon, LLP

(57) **CLAIM**  
The ornamental design for an orthodontic bracket, as shown  
and described.

**DESCRIPTION**  
FIG. 1 is a perspective view of the orthodontic bracket in  
accordance with my new design;  
FIG. 2 is a left side view of the orthodontic bracket shown  
in FIG. 1, the opposite right side view being a mirror image  
thereof;  
FIG. 3 is a front elevation view of the orthodontic bracket  
shown in FIGS. 1 and 2;  
FIG. 4 is a bottom view of an orthodontic bracket shown in  
FIGS. 1-3;  
FIG. 5 is a top view of the orthodontic bracket shown in  
FIGS. 1-4; and,  
FIG. 6 is a rear view of the orthodontic bracket shown in  
FIGS. 1-5.  
The broken lines shown in the figures are included for the  
purpose of illustrating portions of the orthodontic bracket  
and form no part of the claimed design.

**1 Claim, 4 Drawing Sheets**



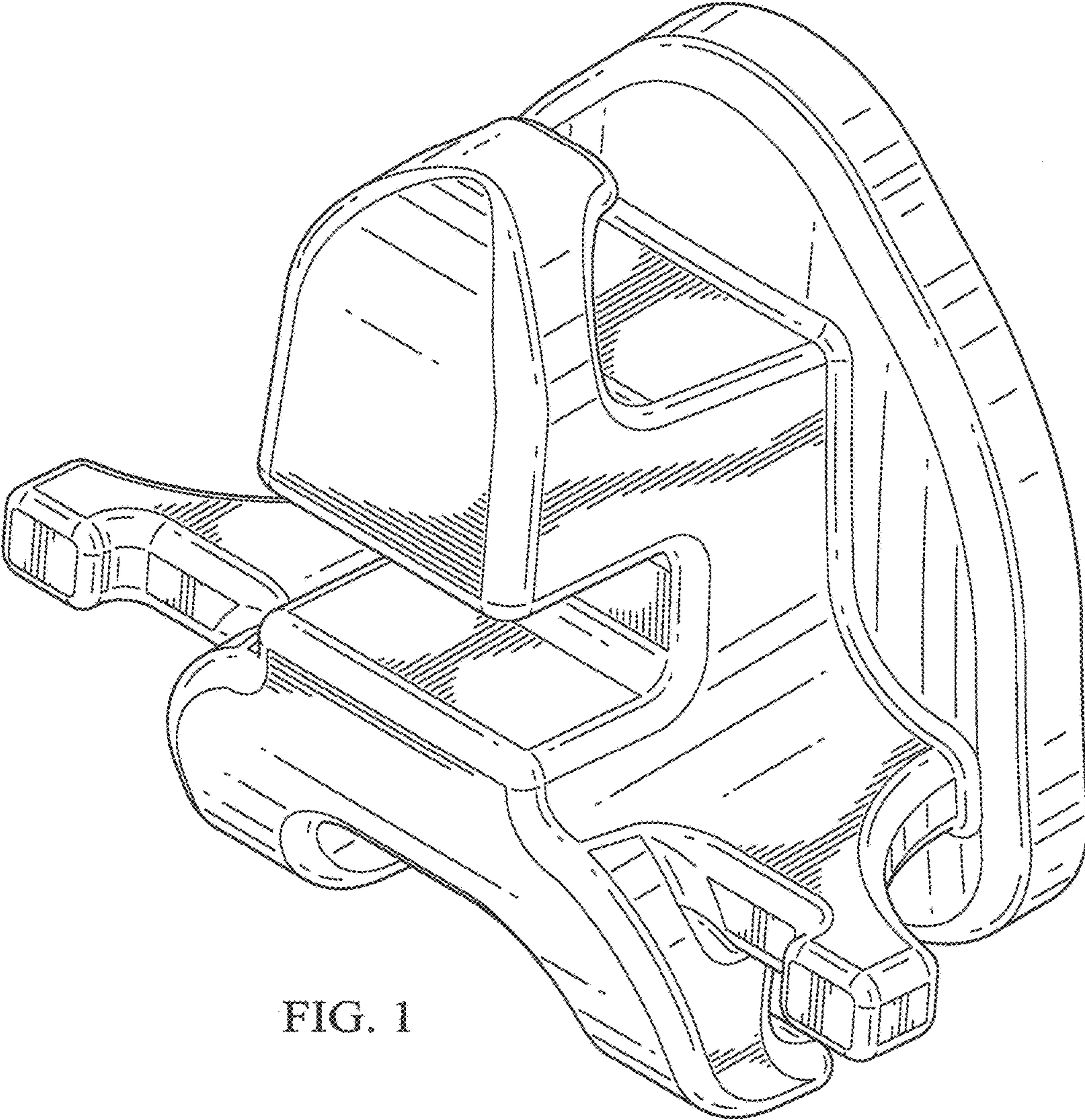


FIG. 1

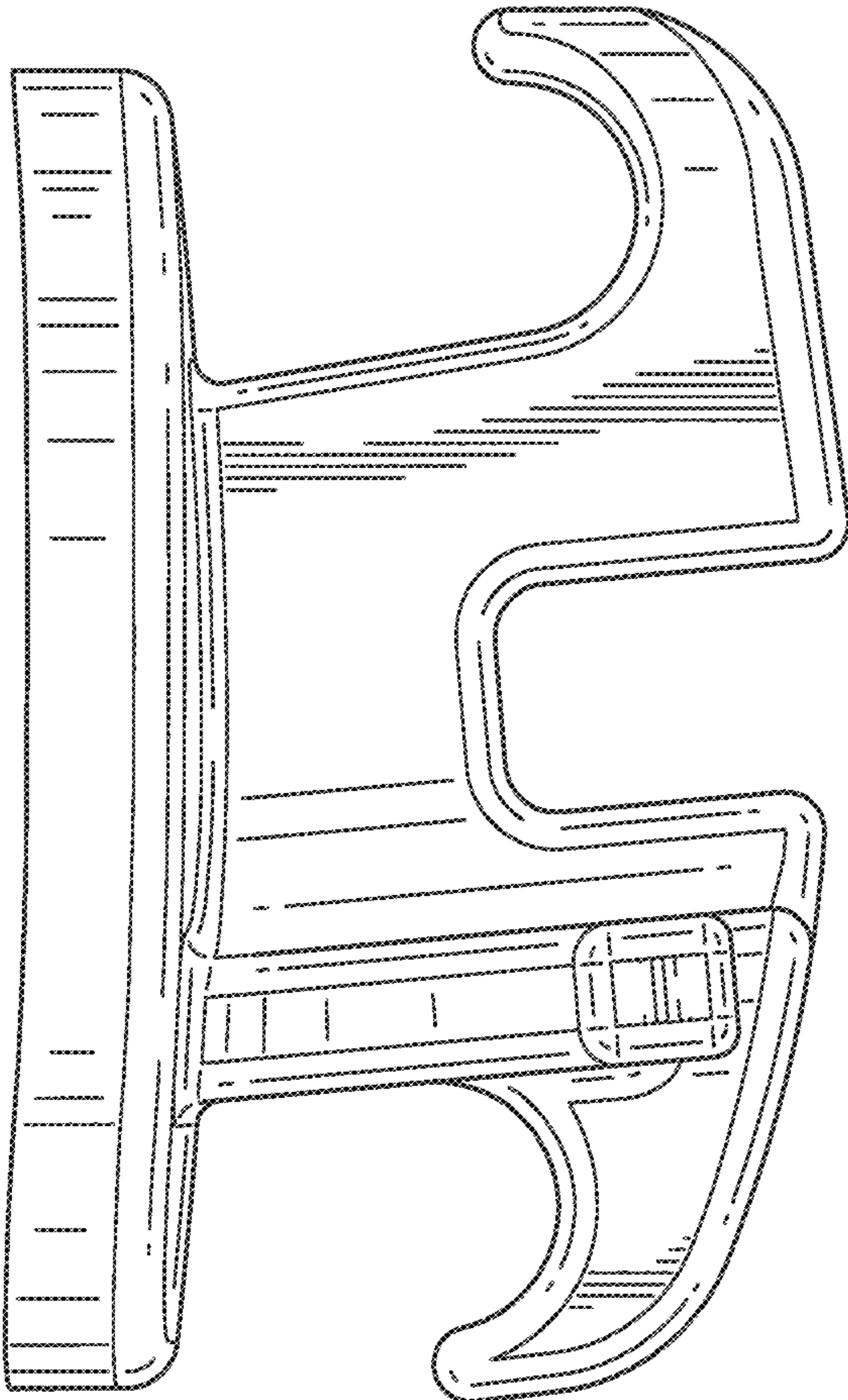


FIG. 2

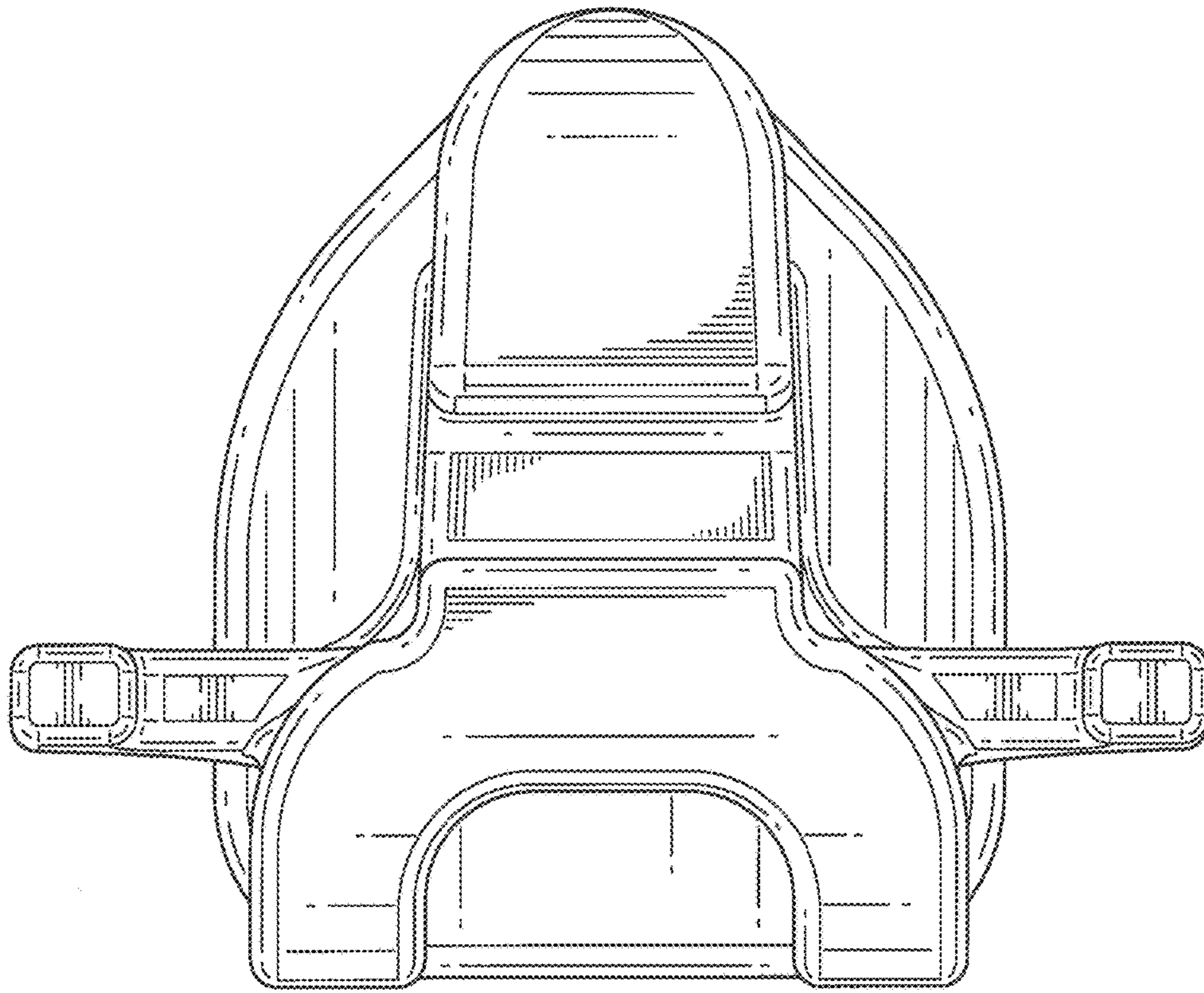


FIG. 3

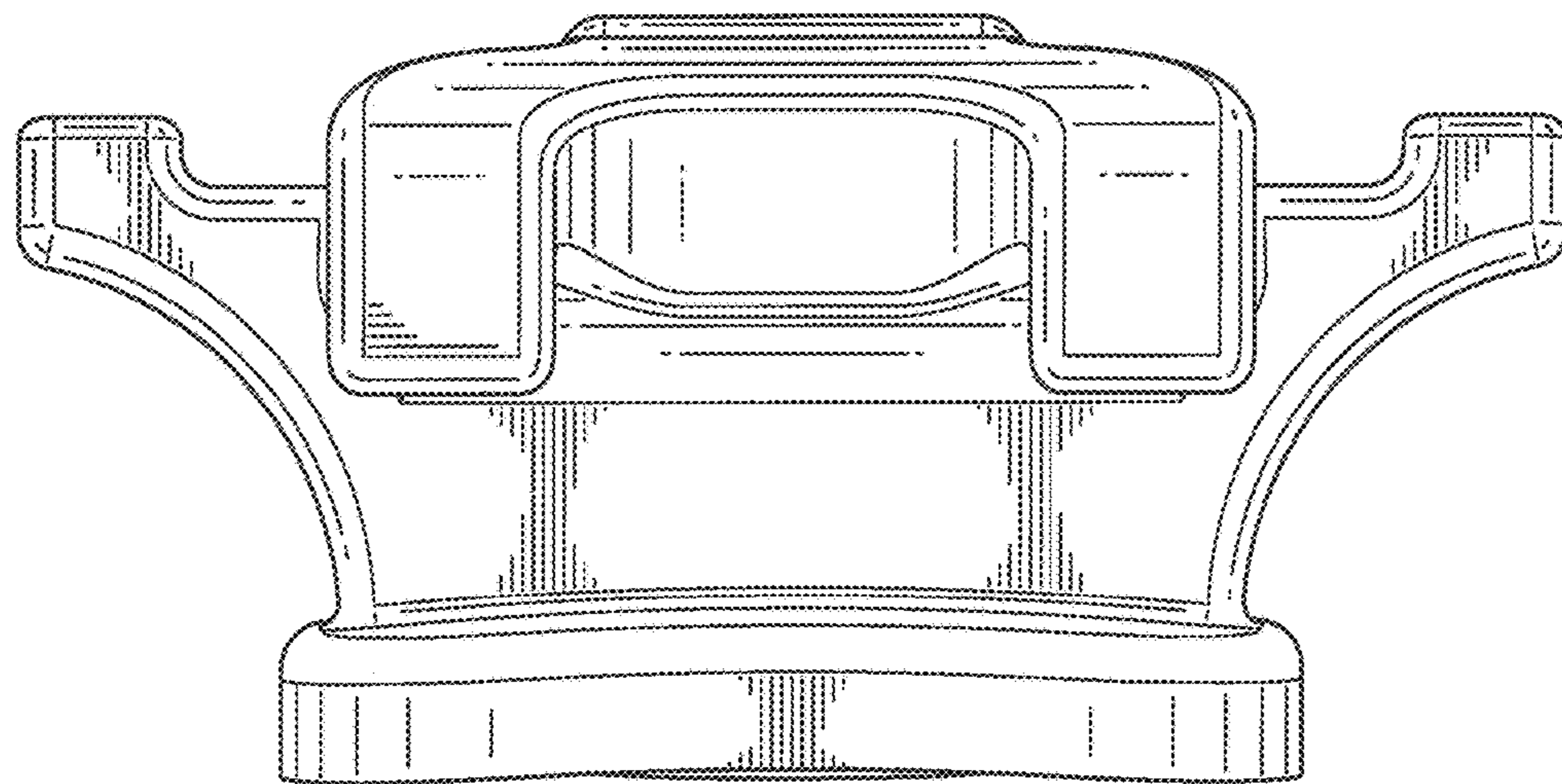


FIG. 4

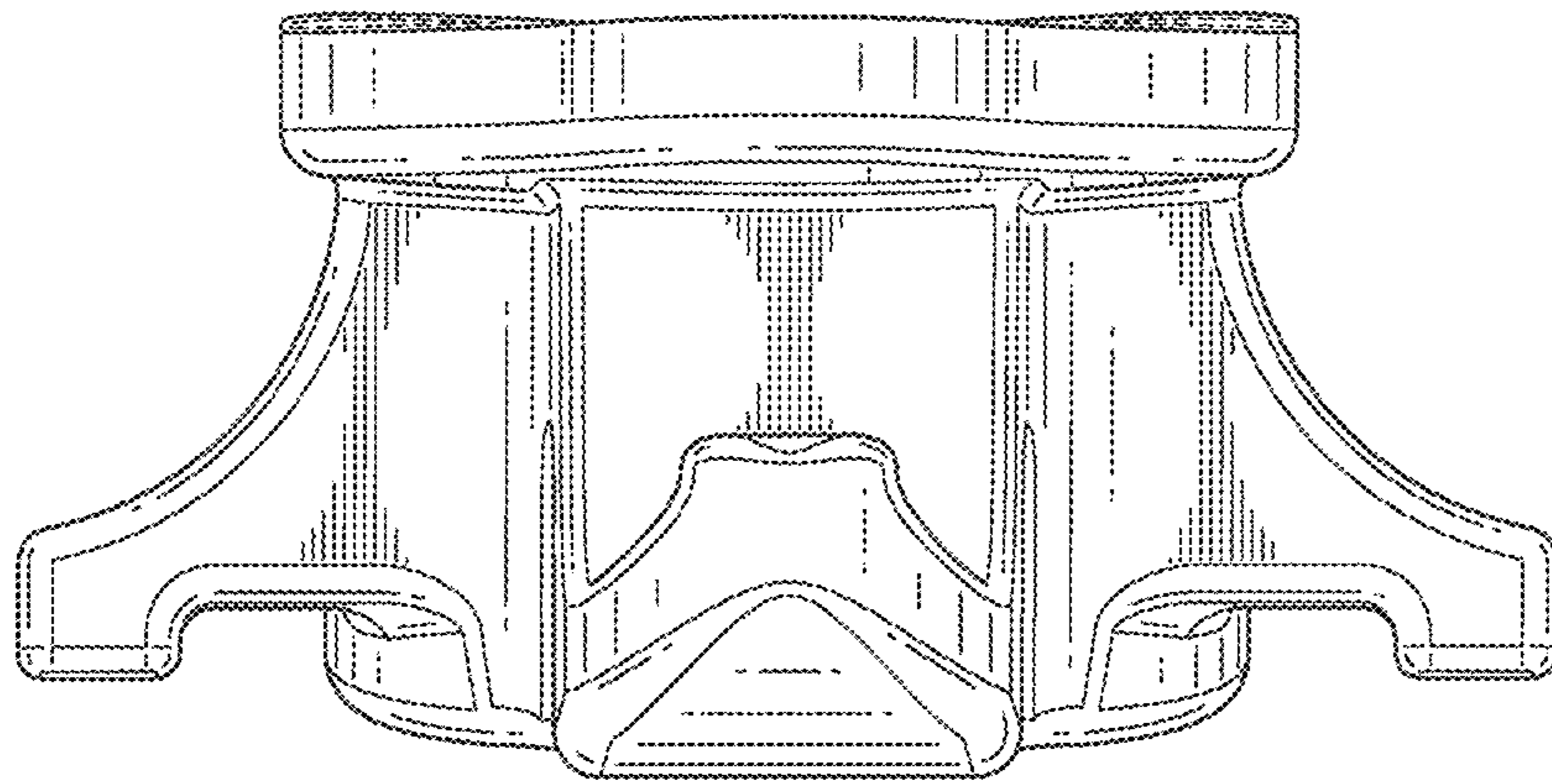


FIG. 5

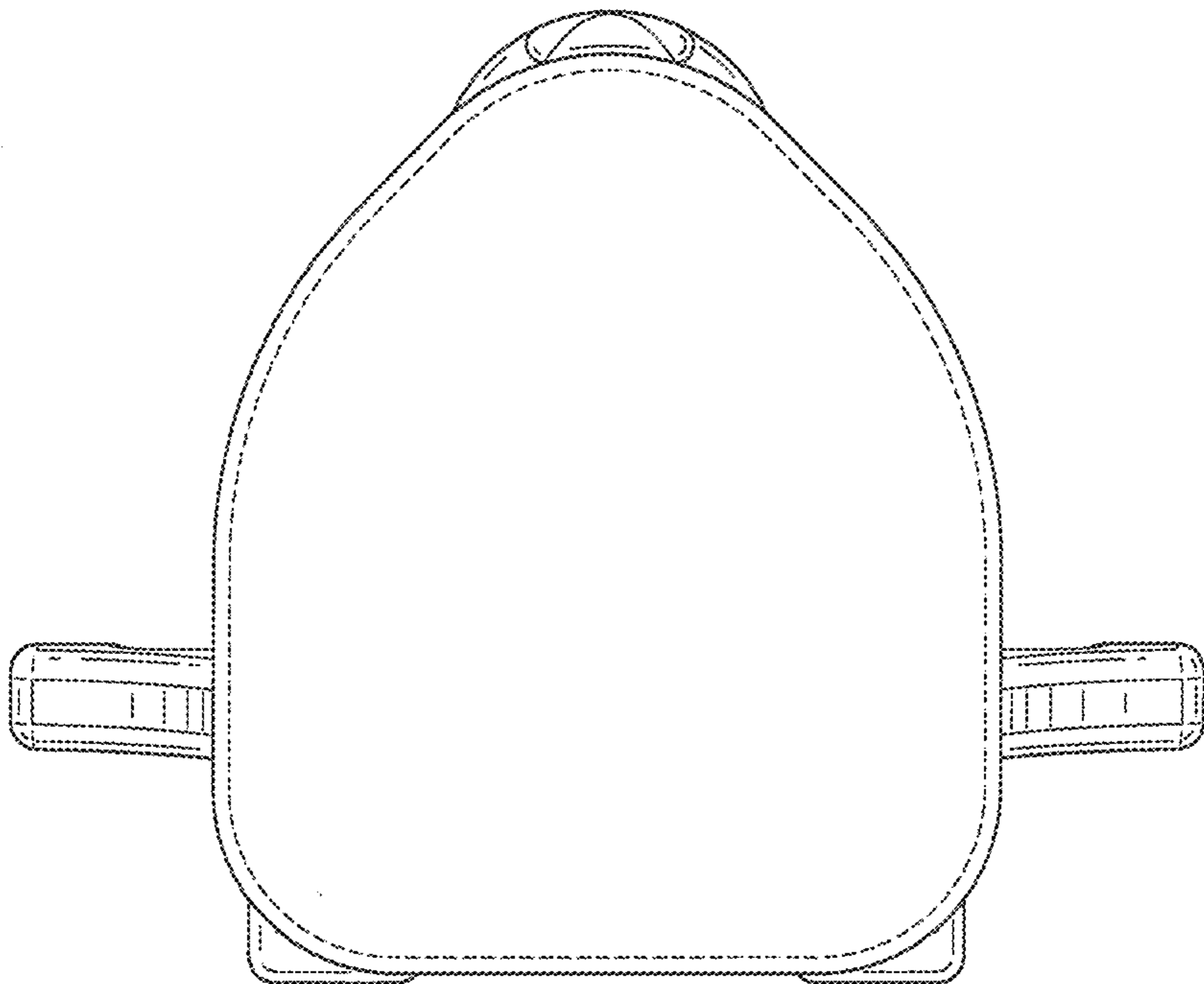


FIG. 6