



US00D802772S

(12) **United States Design Patent** (10) **Patent No.:** **US D802,772 S**
Viazis (45) **Date of Patent:** **** Nov. 14, 2017**

(54) **ORTHODONTIC BRACKET**
(71) Applicant: **ORALECT LICENSING, LTD.**,
Dallas, TX (US)
(72) Inventor: **Anthony D. Viazis**, Dallas, TX (US)
(73) Assignee: **ORALECT LICENSING, LTD.**,
Dallas, TX (US)

(**) Term: **15 Years**
(21) Appl. No.: **29/580,248**
(22) Filed: **Oct. 6, 2016**
(51) **LOC (10) Cl.** **24-02**
(52) **U.S. Cl.**
USPC **D24/180**
(58) **Field of Classification Search**
USPC D24/176-182
CPC A61C 7/00; A61C 7/12; A61C 7/14; A61C
7/141; A61C 7/145; A61C 7/146; A61C
7/287; A61C 7/30; A61C 7/148; A61C
7/282

See application file for complete search history.

(56) **References Cited**

U.S. PATENT DOCUMENTS

D331,975 S * 12/1992 Pospisil D24/180
D339,421 S * 9/1993 Schultz D24/180
5,282,743 A * 2/1994 Miura A61C 7/12
433/10
D367,116 S * 2/1996 Viazis D24/180
D687,554 S * 8/2013 Kooiman D24/180
8,708,698 B2 * 4/2014 Antignano A61C 7/12
433/14
2007/0243497 A1 * 10/2007 Voudouris A61C 7/141
433/10
2016/0262851 A1 * 9/2016 Curiel A61C 7/287

* cited by examiner

Primary Examiner — Wan Laymon
(74) *Attorney, Agent, or Firm* — Jeffrey G. Degenfelder;
David W. Carstens; Carstens & Cahoon, LLP

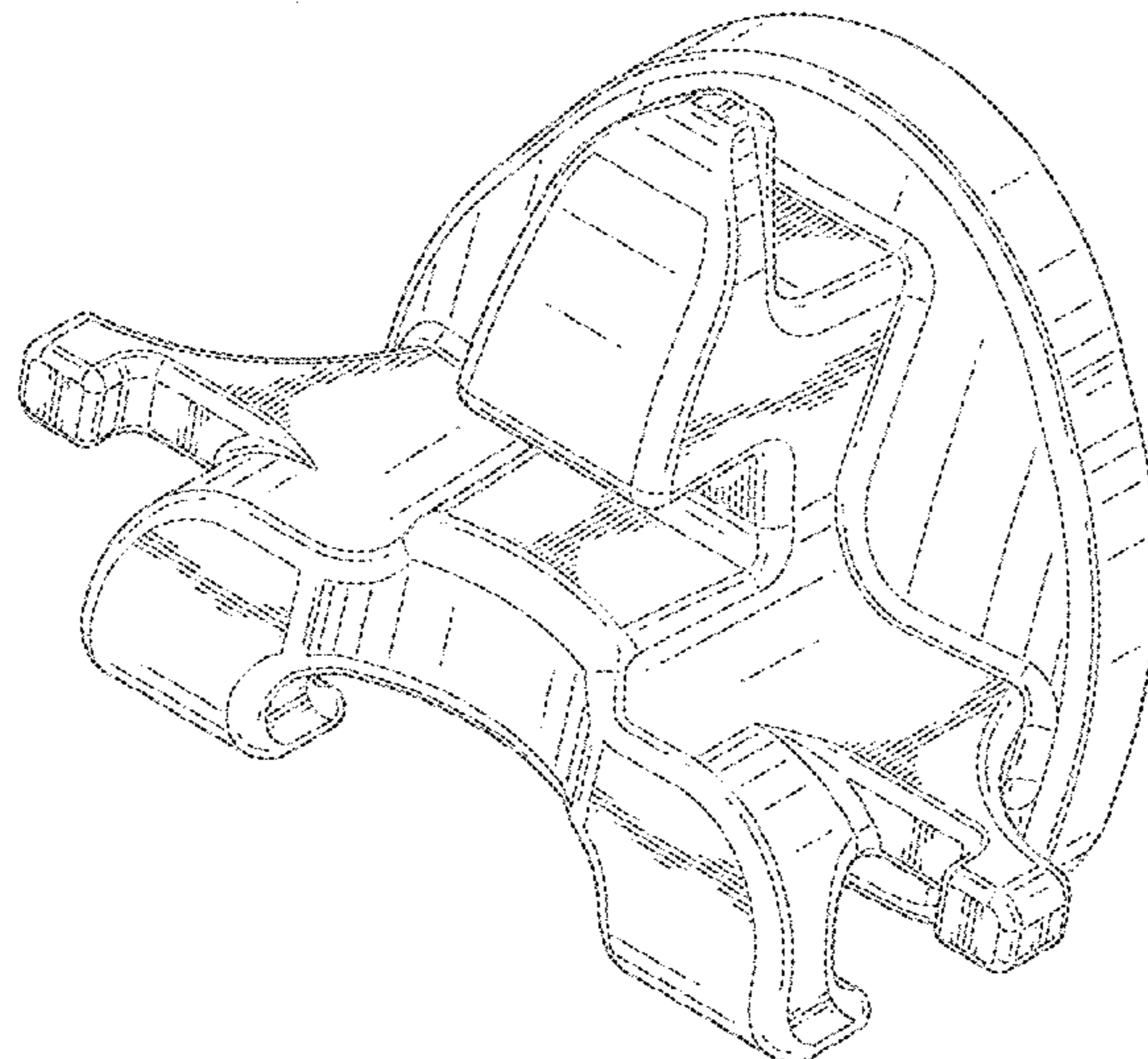
(57) **CLAIM**

The ornamental design for an orthodontic bracket, as shown and described.

DESCRIPTION

FIG. 1 is a perspective view of the orthodontic bracket in accordance with one embodiment of my new design; FIG. 2 is a left side view of the orthodontic bracket shown in FIG. 1, the opposite right side view being a mirror image thereof; FIG. 3 is a front elevation view of the orthodontic bracket shown in FIGS. 1 and 2; FIG. 4 is a bottom view of an orthodontic bracket shown in FIGS. 1-3; FIG. 5 is a top view of the orthodontic bracket shown in FIGS. 1-4; and FIG. 6 is a rear view of the orthodontic bracket shown in FIGS. 1-5. FIG. 7 is a perspective view of the orthodontic bracket in accordance with another embodiment of my new design; FIG. 8 is a left side view of the orthodontic bracket shown in FIG. 7, the opposite right side view being a mirror image thereof; FIG. 9 is a front elevation view of the orthodontic bracket shown in FIGS. 7 and 8; FIG. 10 is a bottom view of an orthodontic bracket shown in FIGS. 7-9; FIG. 11 is a top view of the orthodontic bracket shown in FIGS. 7-10; and, FIG. 12 is a rear view of the orthodontic bracket shown in FIGS. 7-11. The broken lines shown in the figures are included for the purpose of illustrating portions of the orthodontic bracket and form no part of the claimed design.

1 Claim, 8 Drawing Sheets



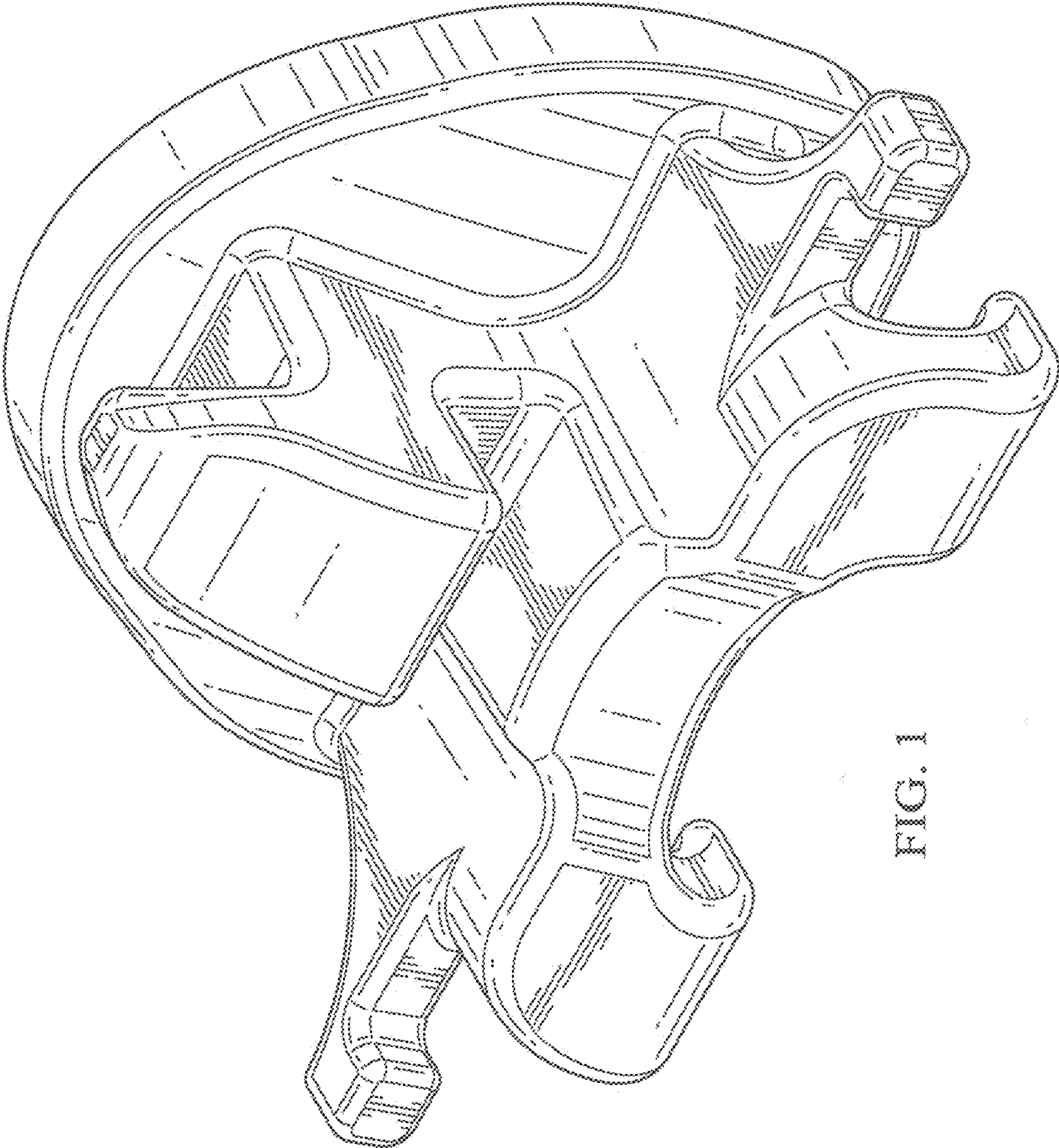


FIG. 1

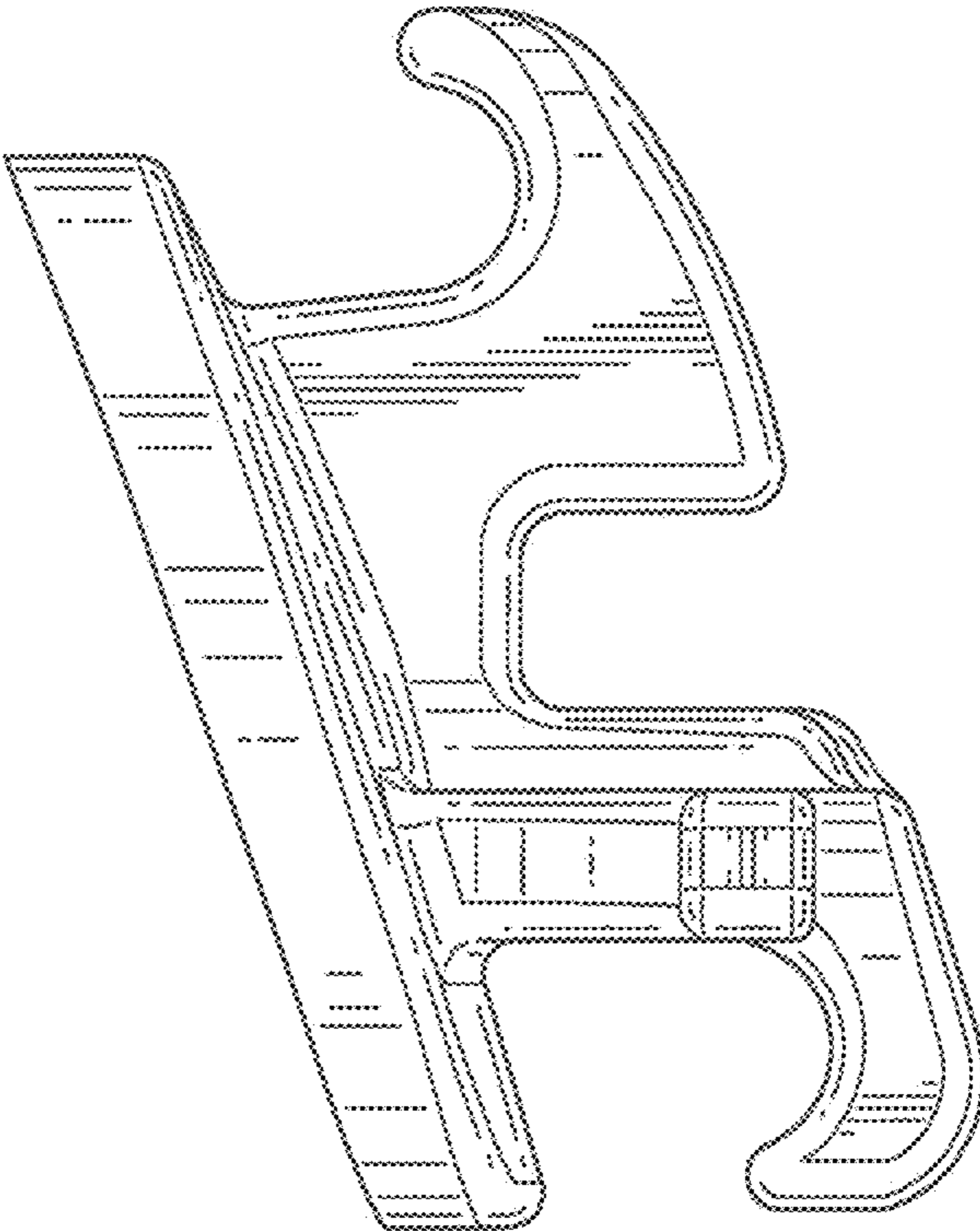


FIG. 2

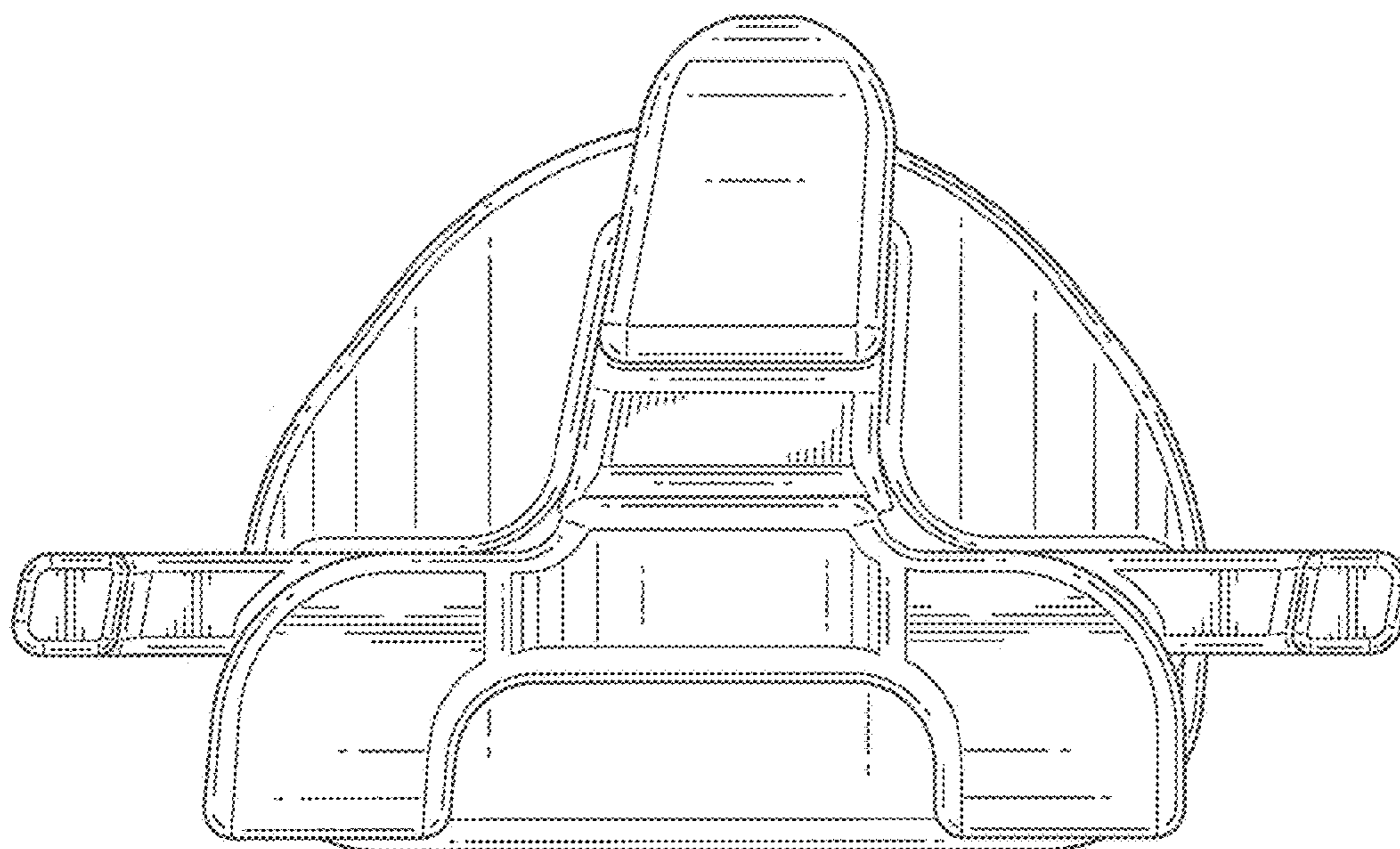


FIG. 3

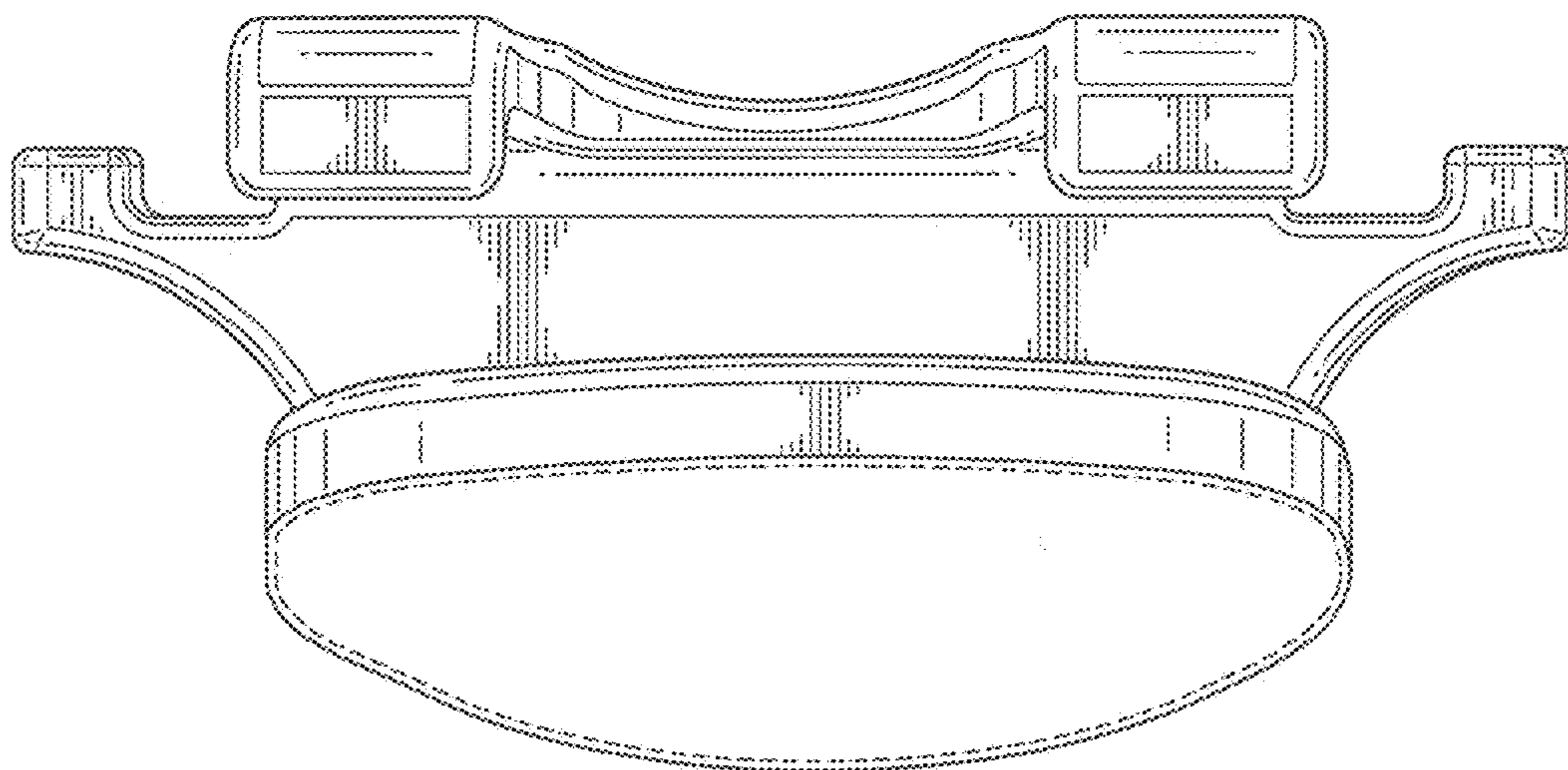


FIG. 4

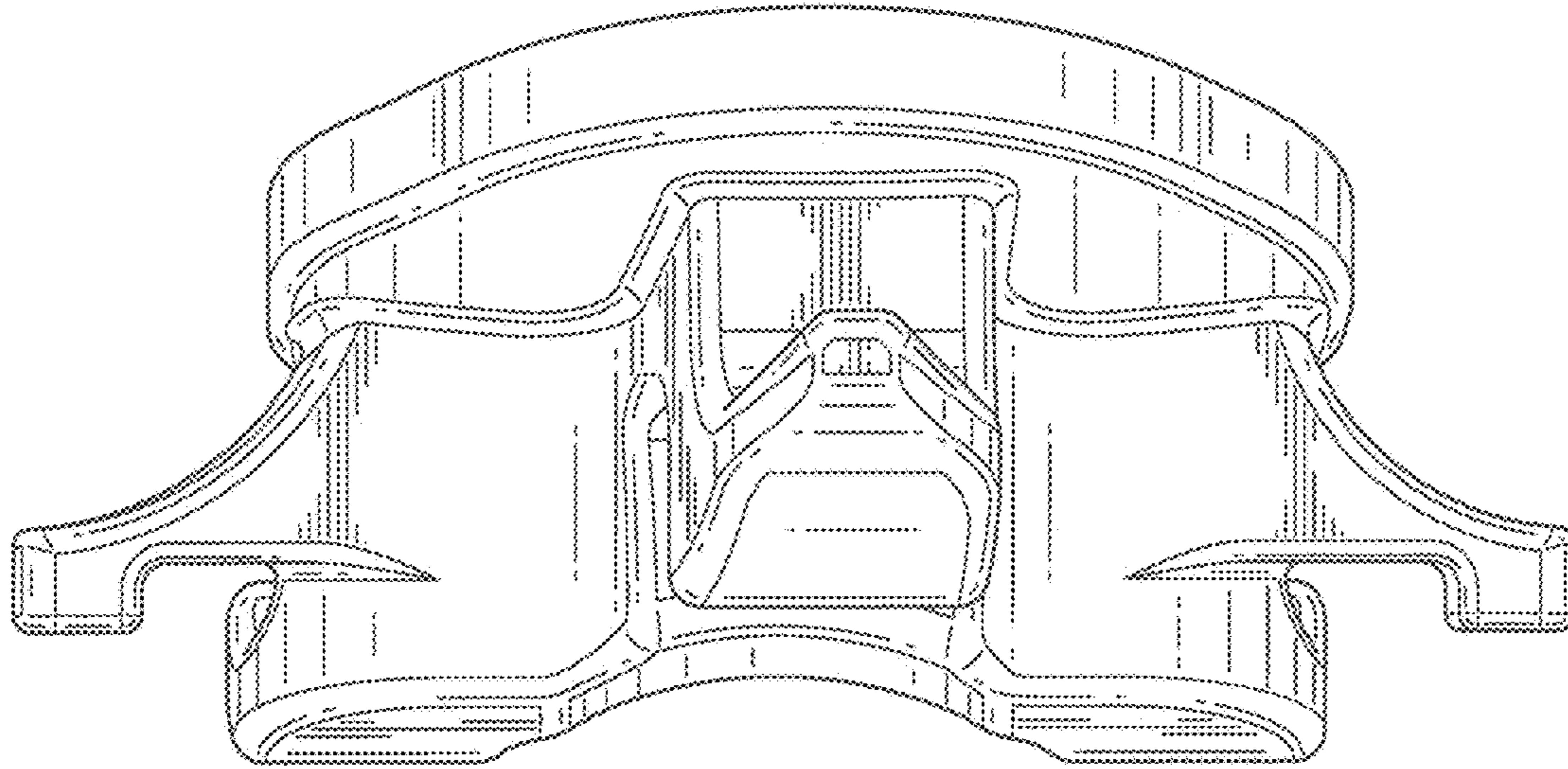


FIG. 5

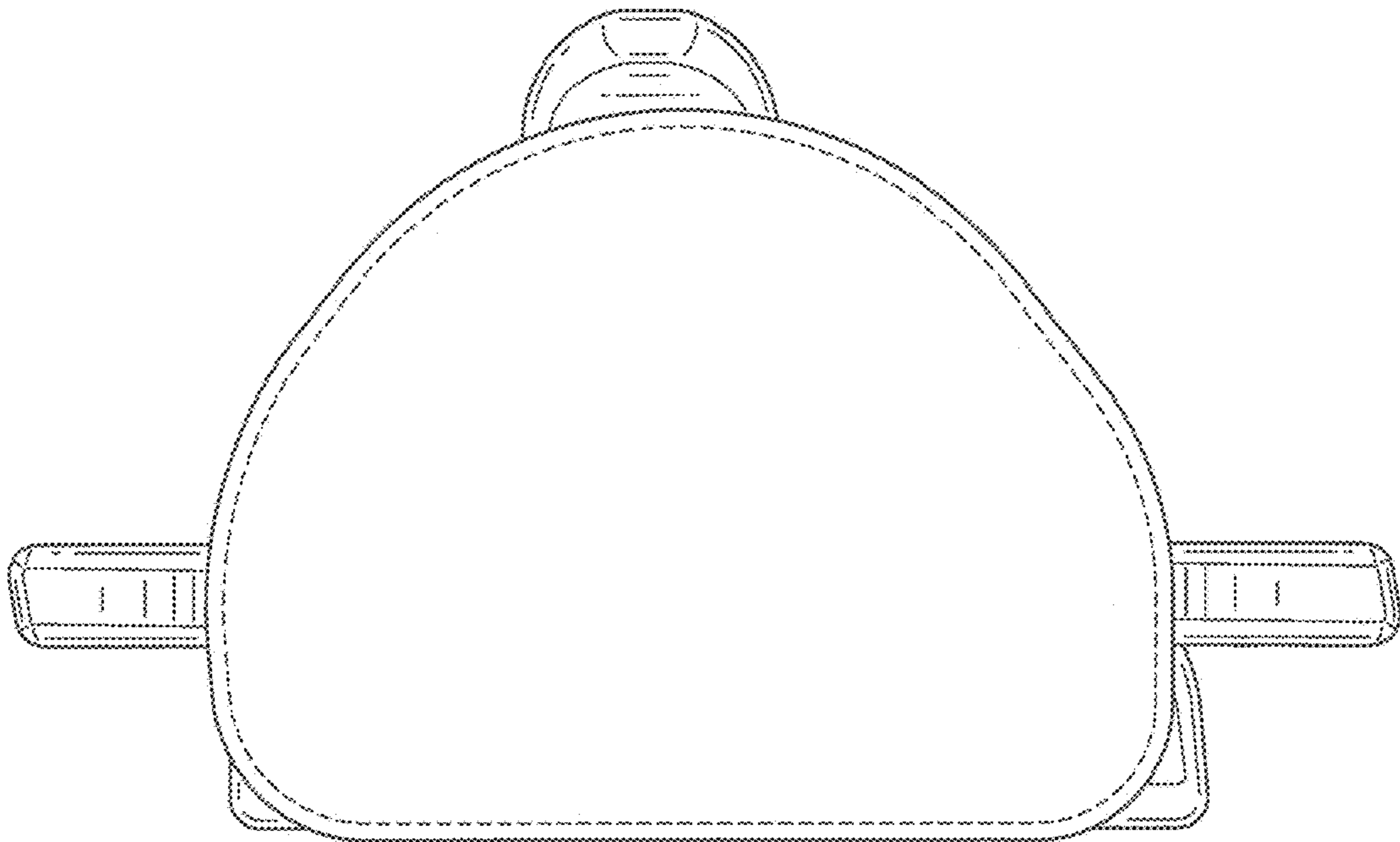


FIG. 6

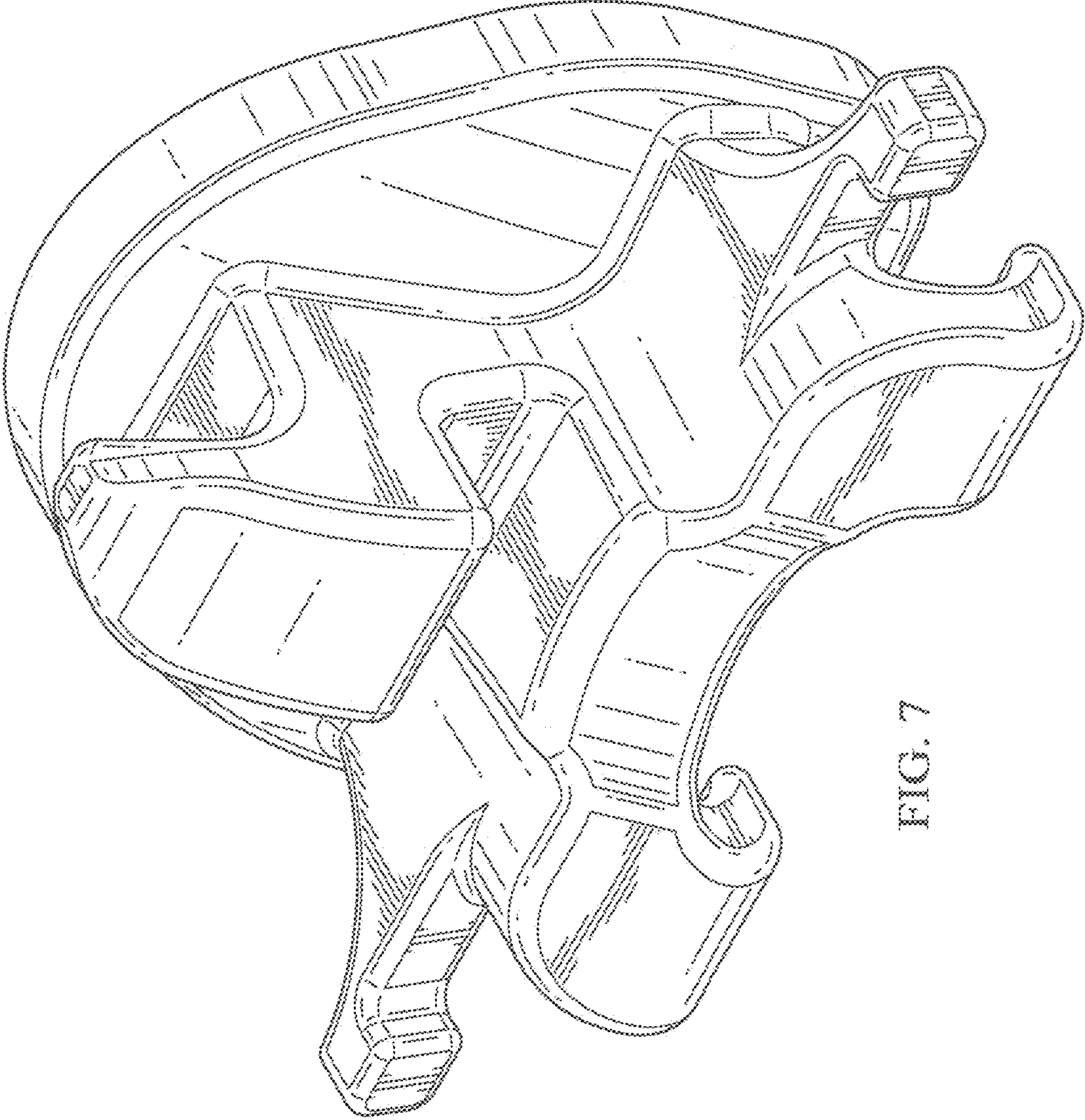


FIG. 7

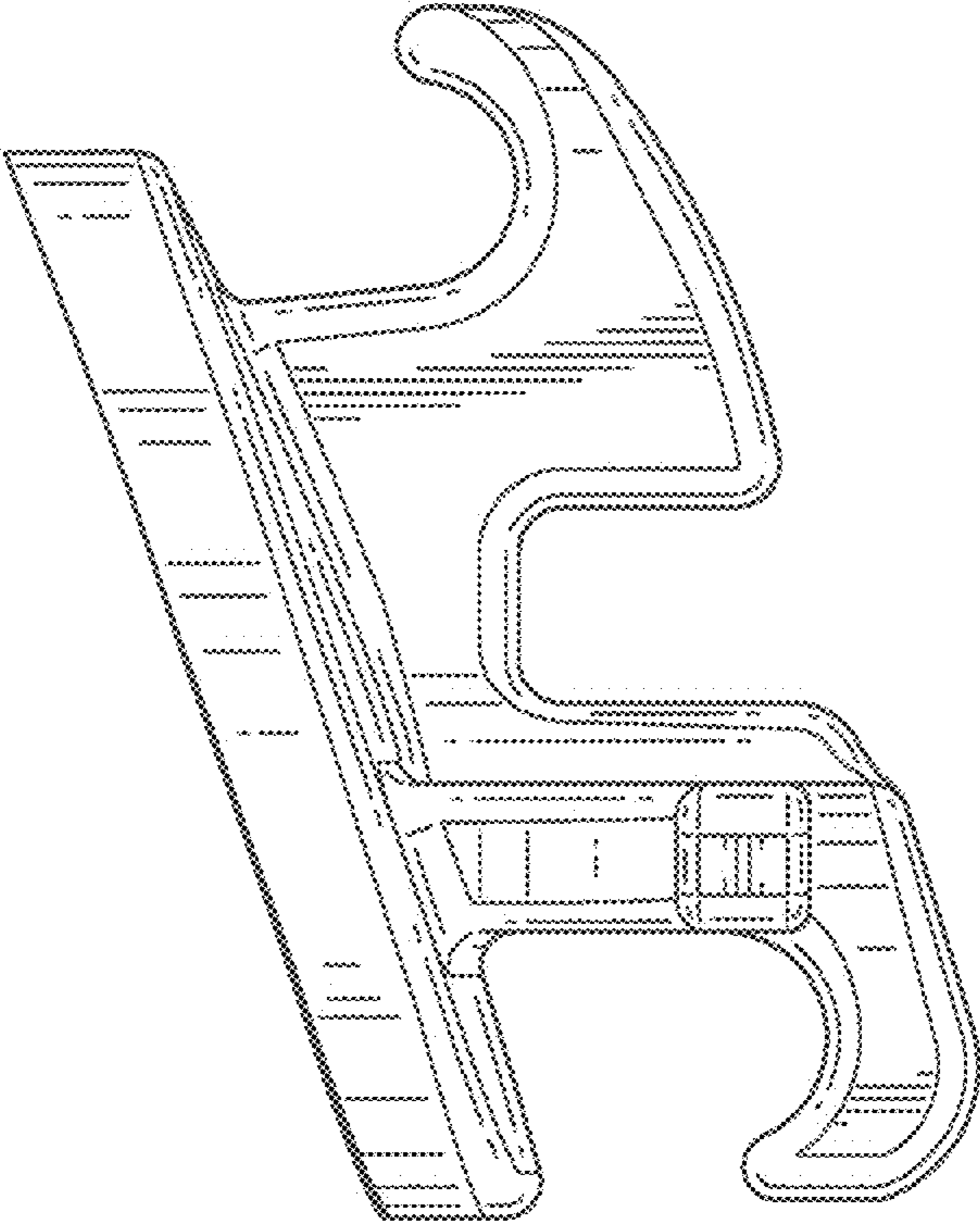


FIG. 8

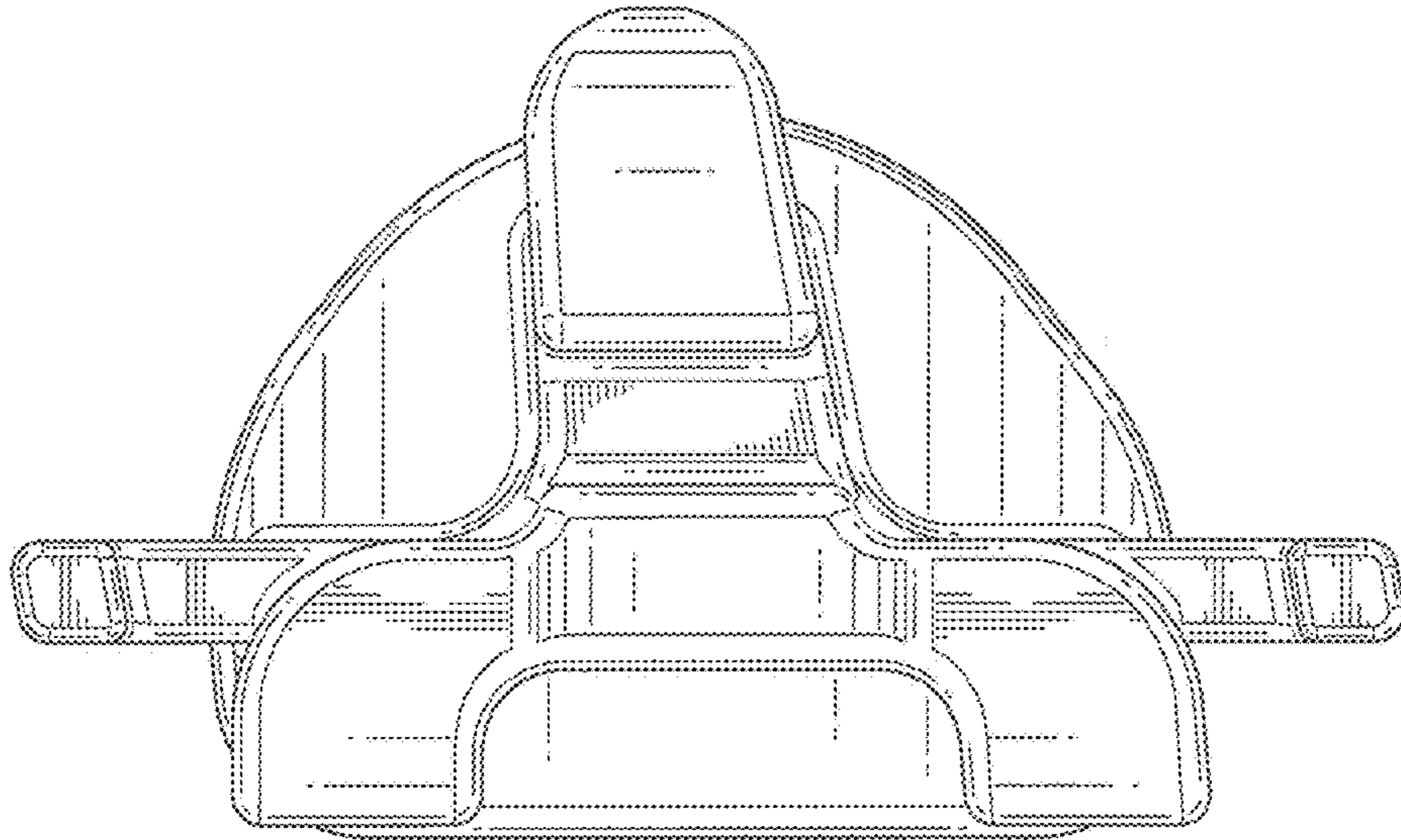


FIG. 9

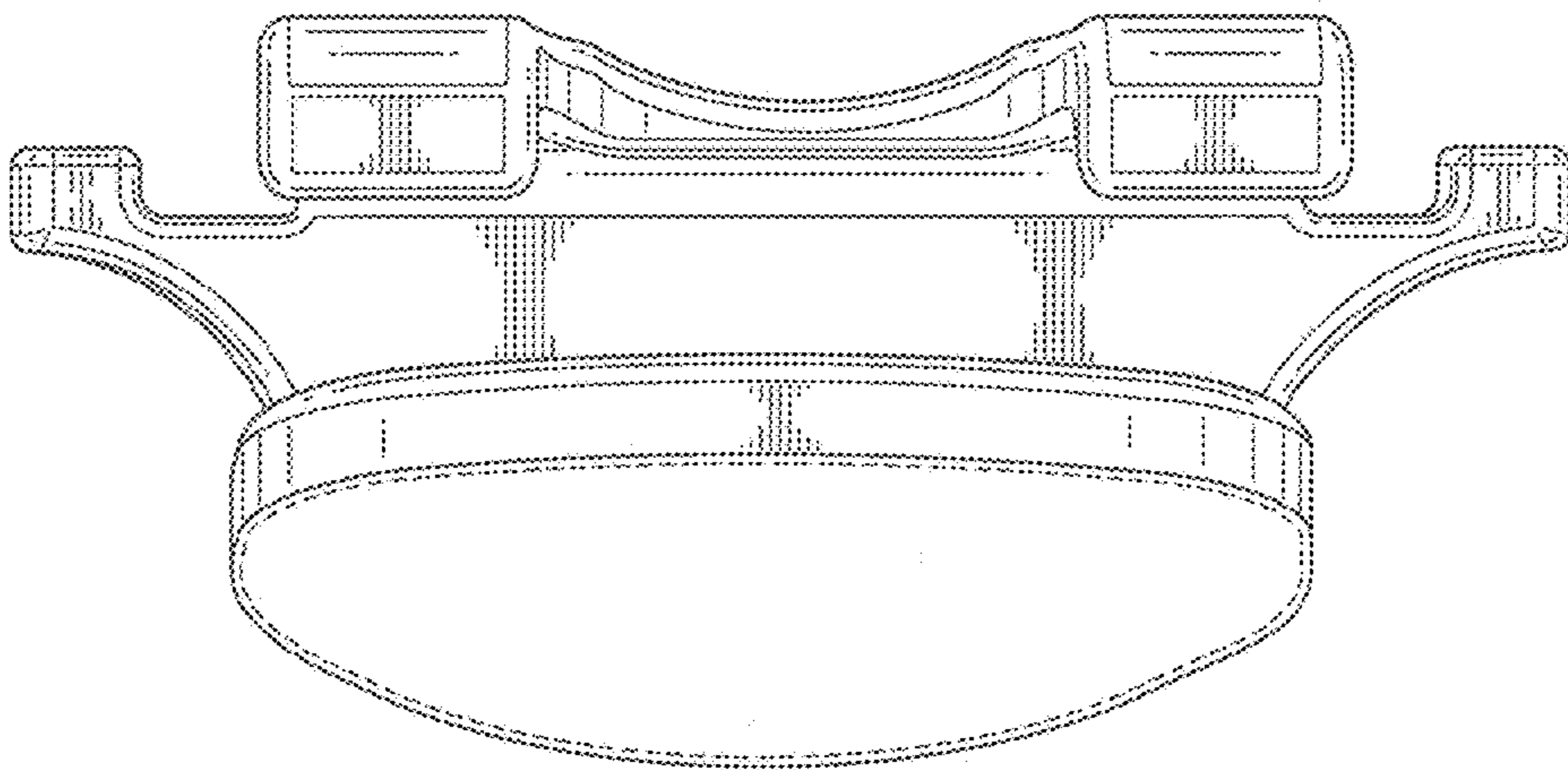


FIG. 10

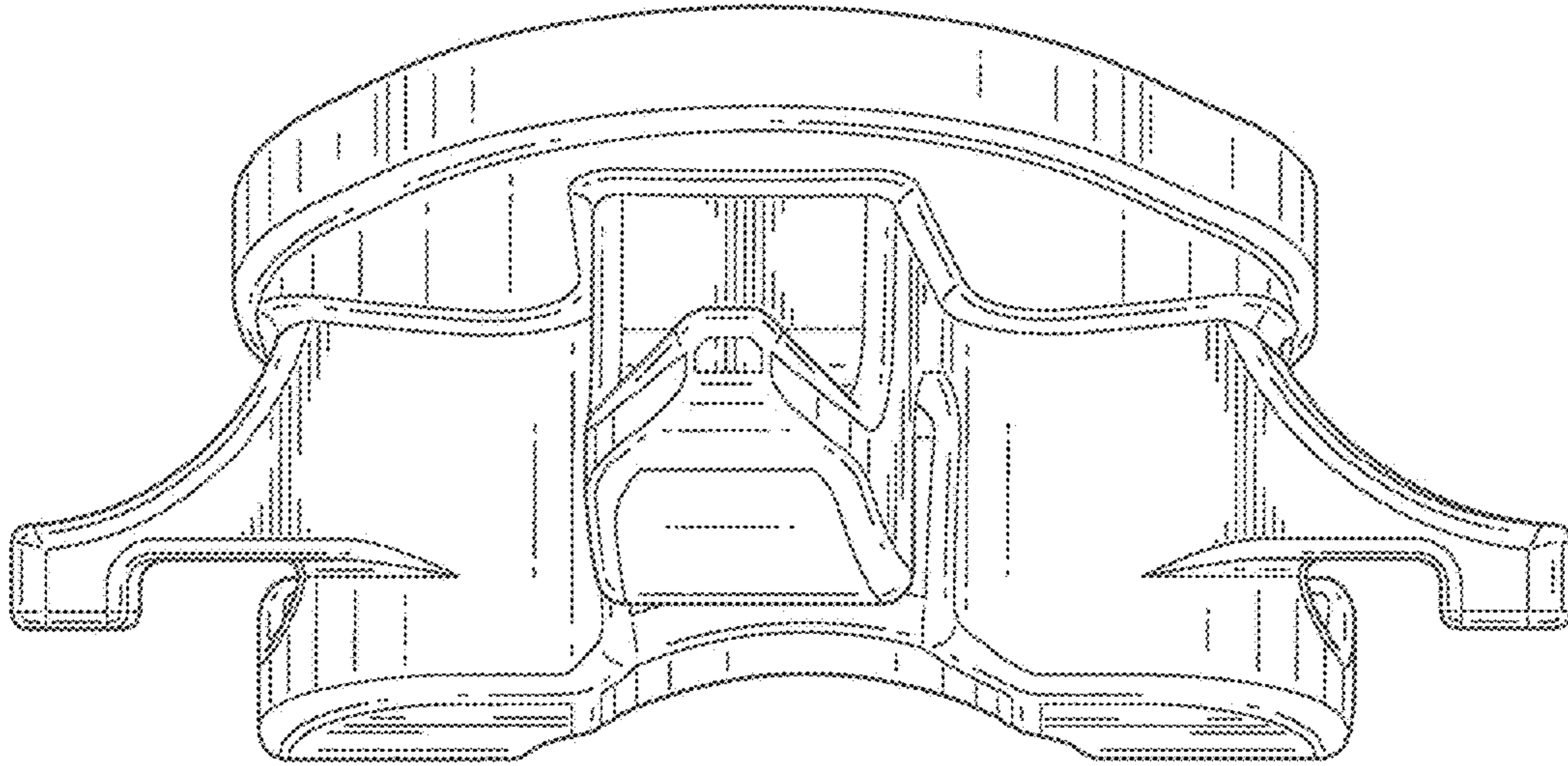


FIG. 11

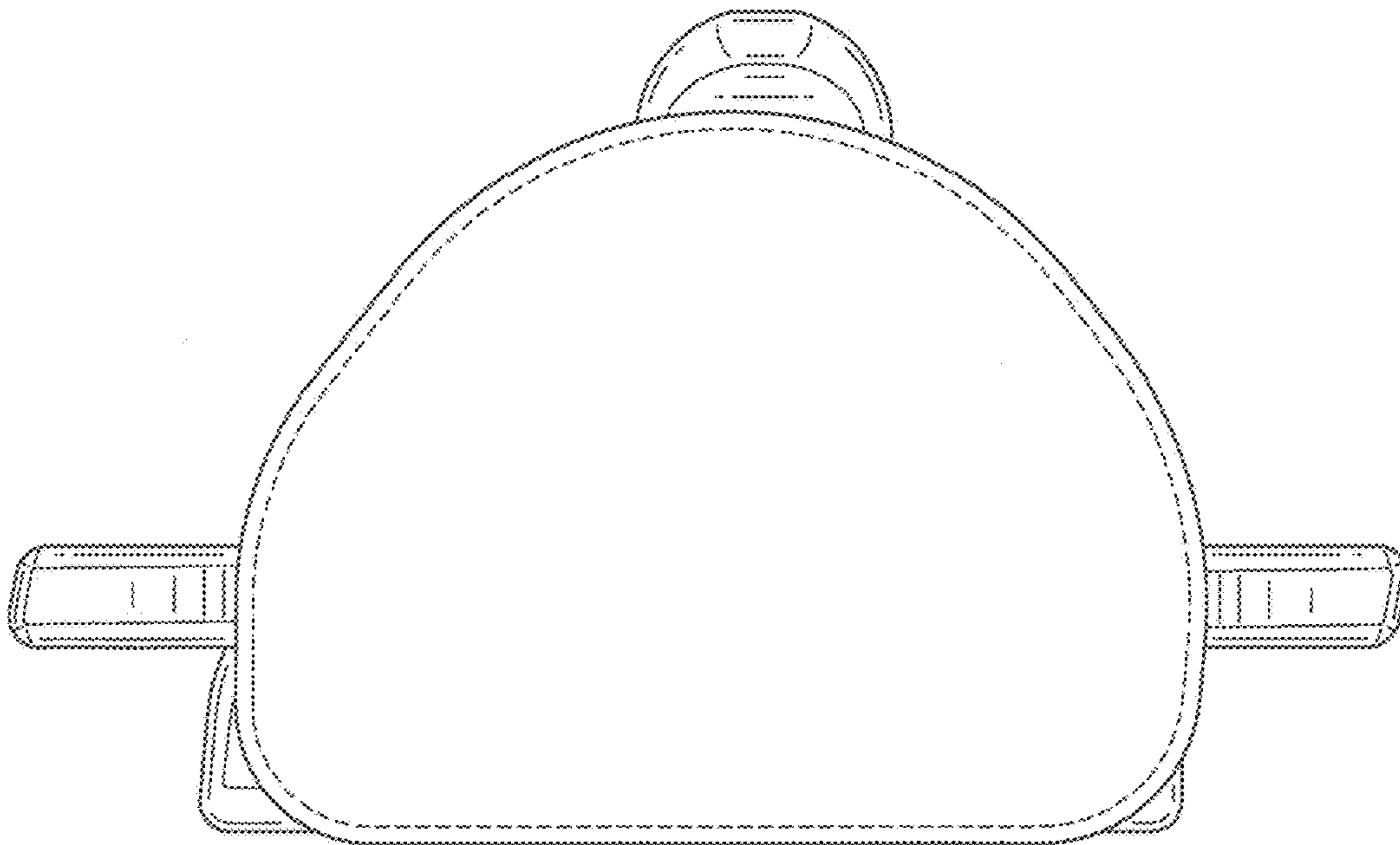


FIG. 12