



US00D802771S

(12) **United States Design Patent**
Schmid et al.

(10) **Patent No.:** **US D802,771 S**

(45) **Date of Patent:** **** Nov. 14, 2017**

(54) **TOOTH-WHITENING DEVICE**

(71) Applicant: **The Procter & Gamble Company**,
Cincinnati, OH (US)

(72) Inventors: **Franziska Schmid**, Frankfurt am Main
(DE); **Matthew Lloyd Newman**,
Cincinnati, OH (US); **Kimberly Horn
Ellingson**, Symmes Township, OH (US)

(73) Assignee: **THE PROCTER & GAMBLE
COMPANY**, Cincinnati, OH (US)

(**) Term: **15 Years**

(21) Appl. No.: **29/564,205**

(22) Filed: **May 11, 2016**

(51) **LOC (10) Cl.** **24-01**

(52) **U.S. Cl.**
USPC **D24/176**

(58) **Field of Classification Search**

USPC D24/176-182, 152, 108, 110

CPC A61C 19/066; A61C 19/06; A61C 19/063;

A61C 19/006; A61C 19/004

See application file for complete search history.

(56) **References Cited**

U.S. PATENT DOCUMENTS

9,492,257 B2 * 11/2016 Jablow A61C 19/066

2005/0048444 A1 * 3/2005 Creamer A61C 19/066

433/215

2015/0132709 A1 * 5/2015 Park A61C 19/066

433/29

(Continued)

FOREIGN PATENT DOCUMENTS

CN 303114869 * 8/2014

CN 303535394 * 9/2015

OTHER PUBLICATIONS

Leegoal Handheld Teeth Whitening LED Accelerator Light Blue.
Aug. 1, 2015. Retrieved on Jun. 28, 2017. Retrieved from the
Internet: www.amazon.com.*

(Continued)

Primary Examiner — Wan Laymon

(57) **CLAIM**

The ornamental design for a tooth-whitening device, as
shown and described.

DESCRIPTION

FIG. 1 is a perspective view of a tooth-whitening device,
embodying our new design;

FIG. 2 is a front view thereof;

FIG. 3 is a back view thereof;

FIG. 4 is a left-side view thereof;

FIG. 5 is a right-side view thereof;

FIG. 6 is a bottom view thereof;

FIG. 7 is a top view thereof;

FIG. 8 is a perspective view of a second embodiment of a
tooth-whitening device, embodying our new design contain-
ing a transparent surface or contrasting color;

FIG. 9 is a front view thereof;

FIG. 10 is a back view thereof;

FIG. 11 is a left-side view thereof;

FIG. 12 is a right-side view thereof;

FIG. 13 is a bottom view thereof;

FIG. 14 is a top view thereof;

FIG. 15 is a perspective view of a third embodiment of a
tooth-whitening device, embodying our new design contain-
ing a reflective line or contrasting color;

FIG. 16 is a front view thereof;

FIG. 17 is a back view thereof;

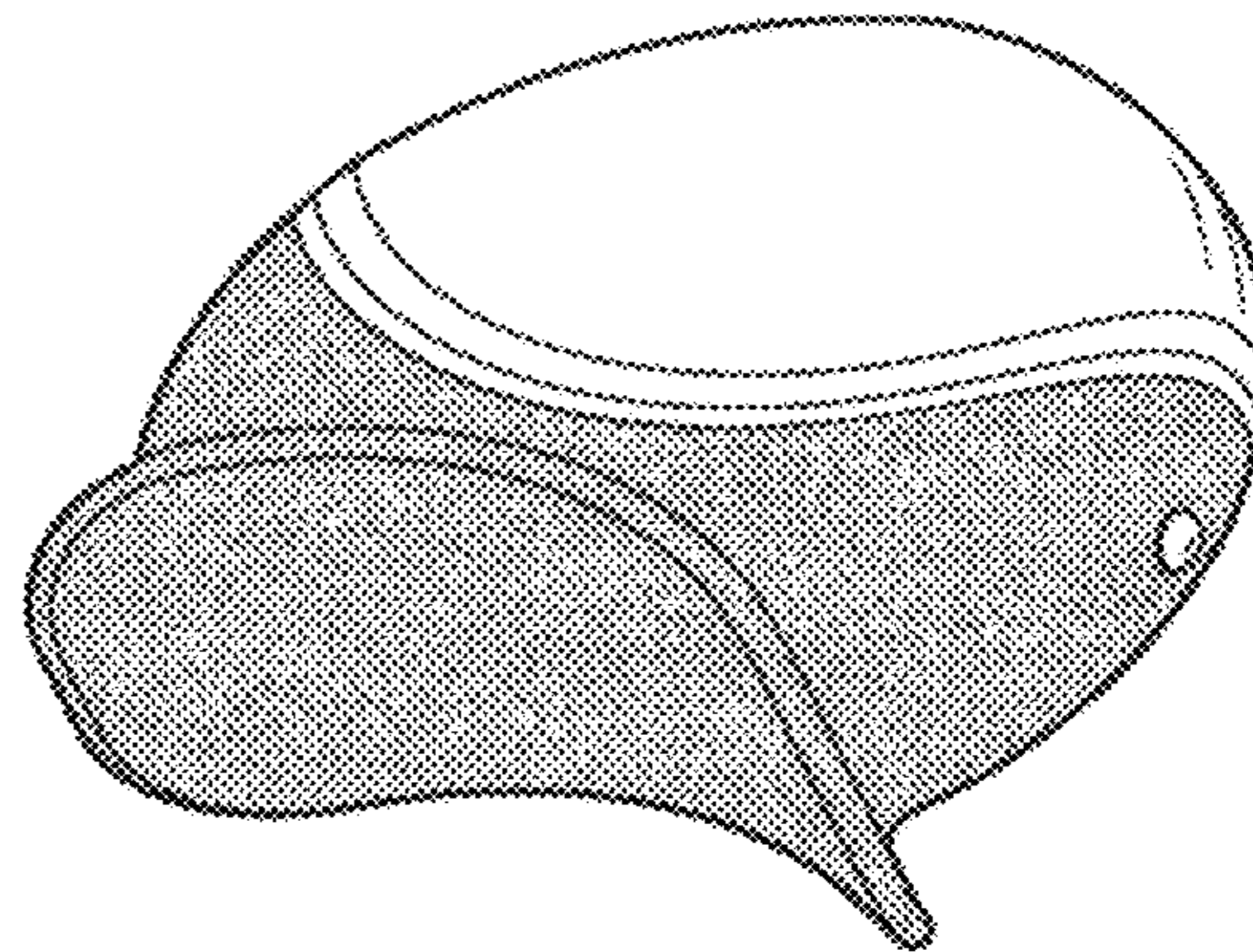
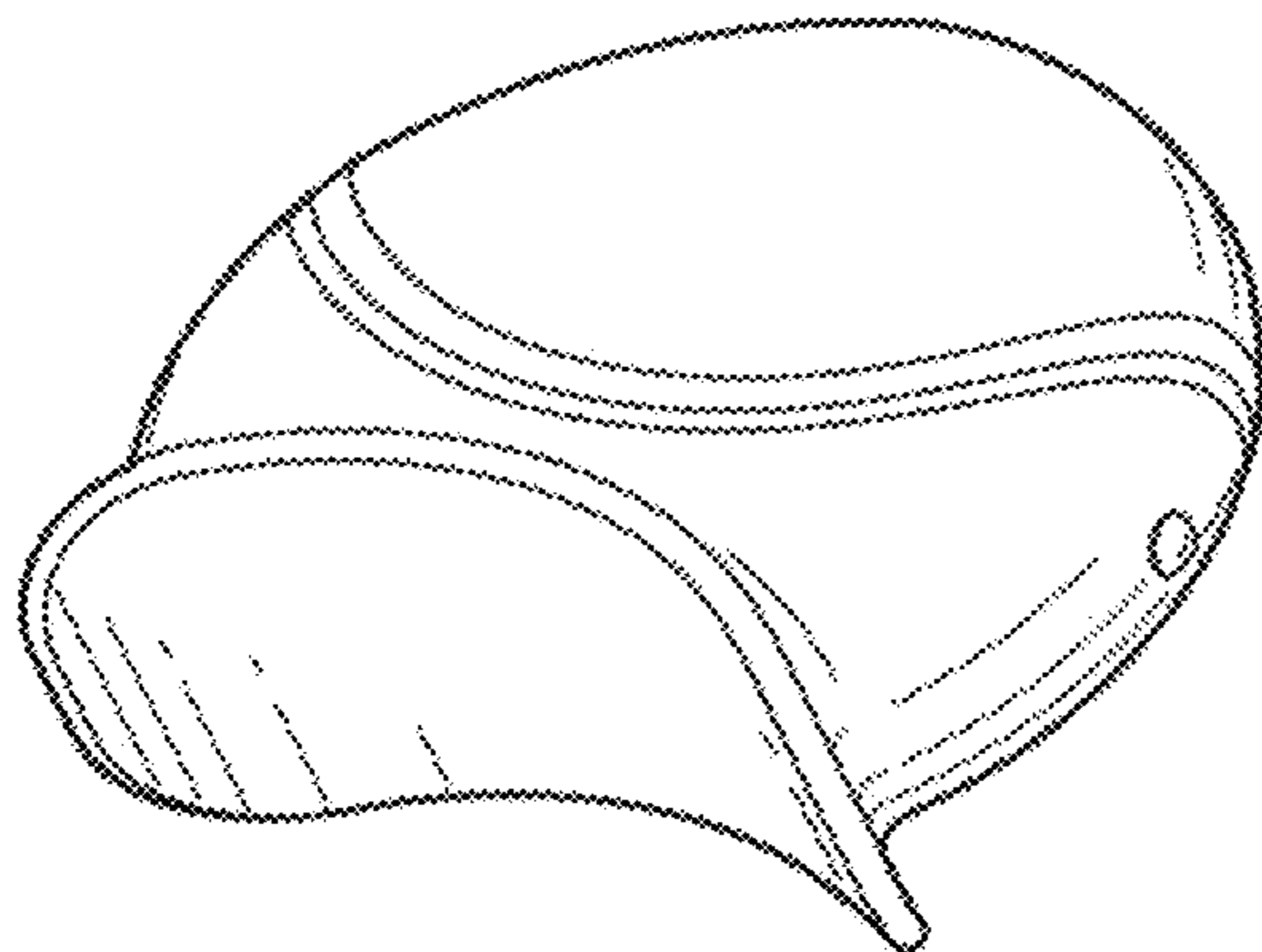
FIG. 18 is a left-side view thereof;

FIG. 19 is a right-side view thereof;

FIG. 20 is a bottom view thereof; and,

FIG. 21 is a top view thereof.

1 Claim, 9 Drawing Sheets



(56)

References Cited

U.S. PATENT DOCUMENTS

2016/0331487 A1* 11/2016 Newman A61C 19/066

OTHER PUBLICATIONS

PLatnum Light Teeth—Best Dental-Grade Teeth Whitening Device.
Mar. 23, 2017. Retrieved on Jun. 28, 2017. Retrieved from the
Internet: <http://www.healthoptionbooklet.com/category/teeth-whitening/>.*

* cited by examiner

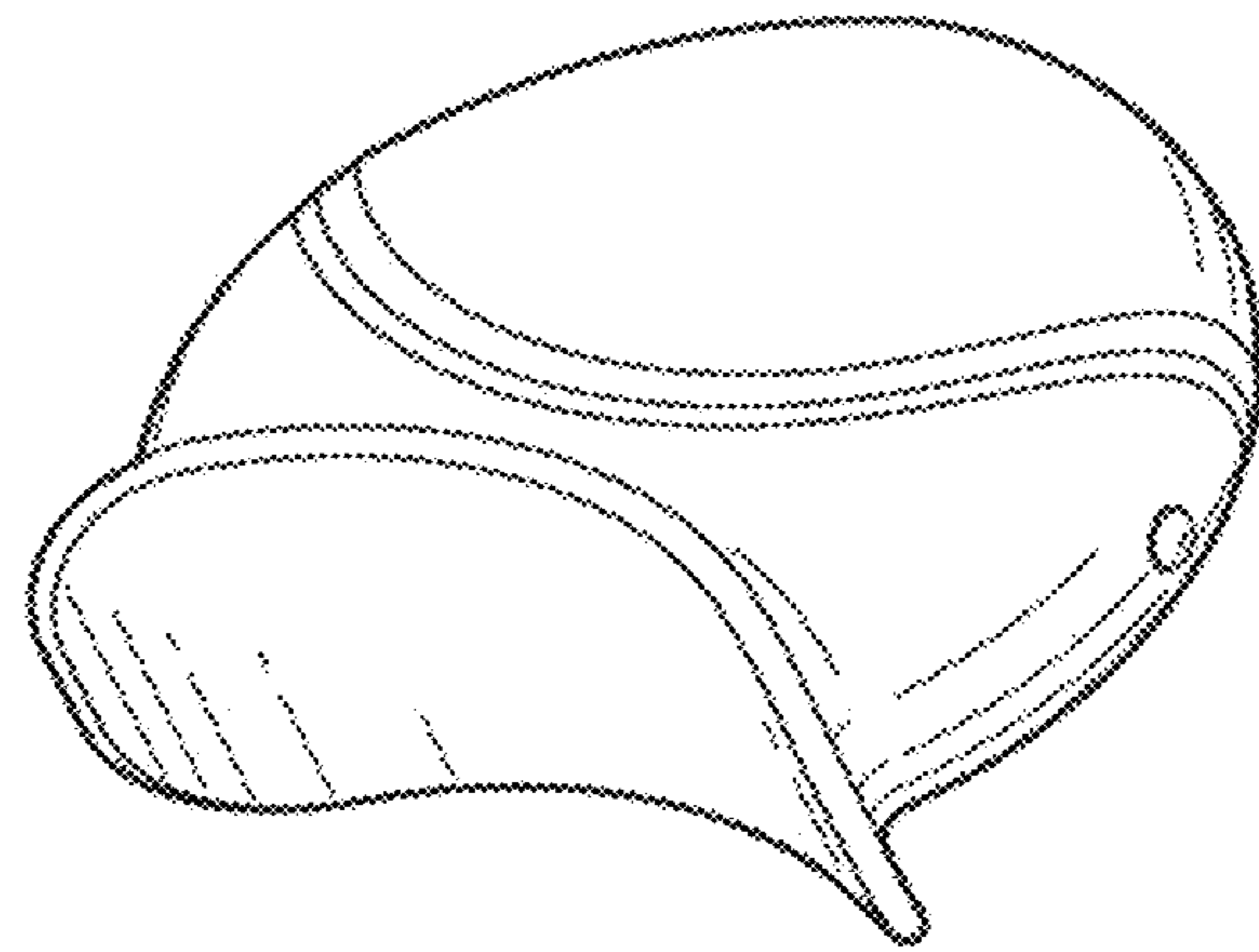


Fig. 1

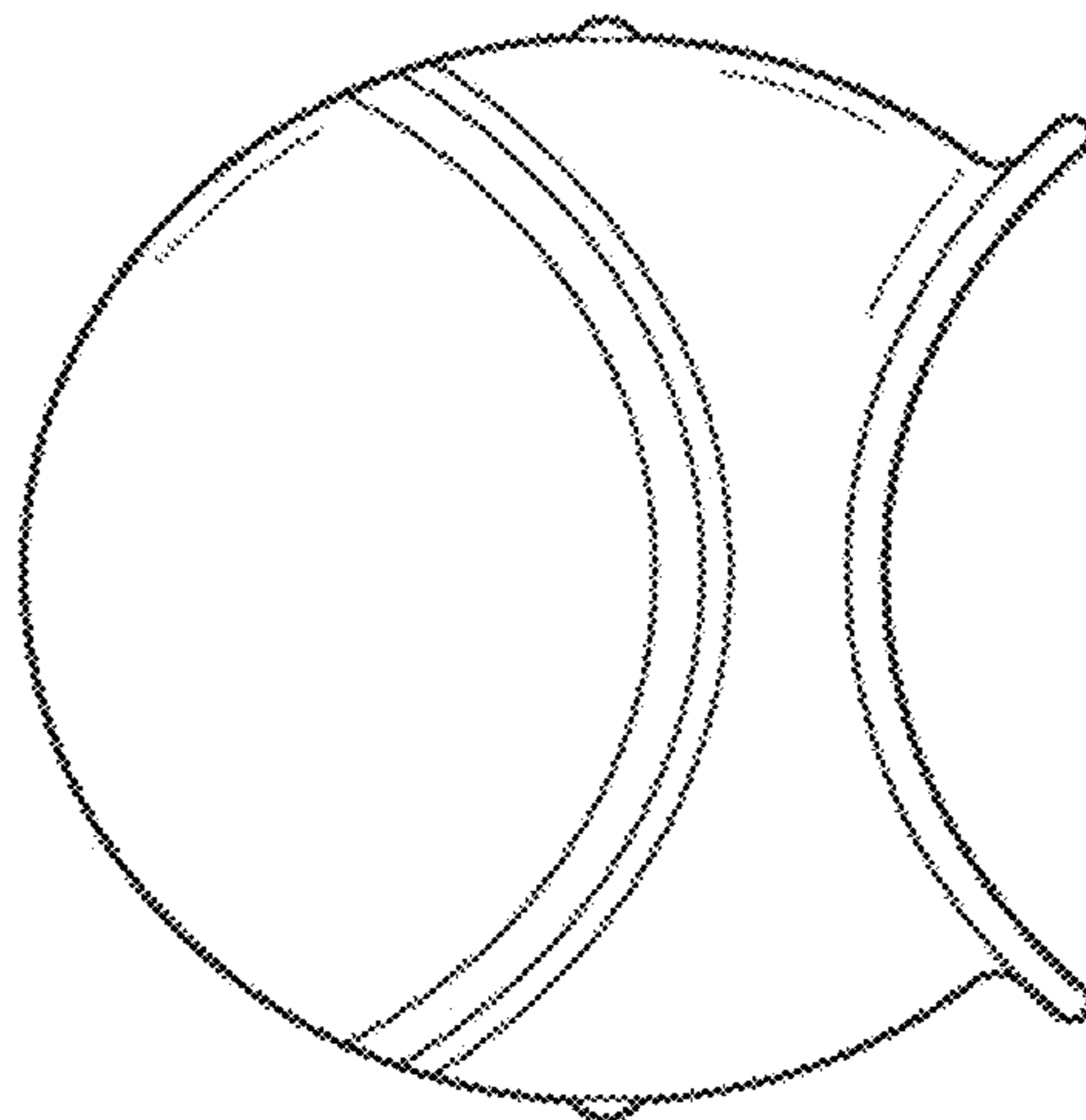


Fig. 2

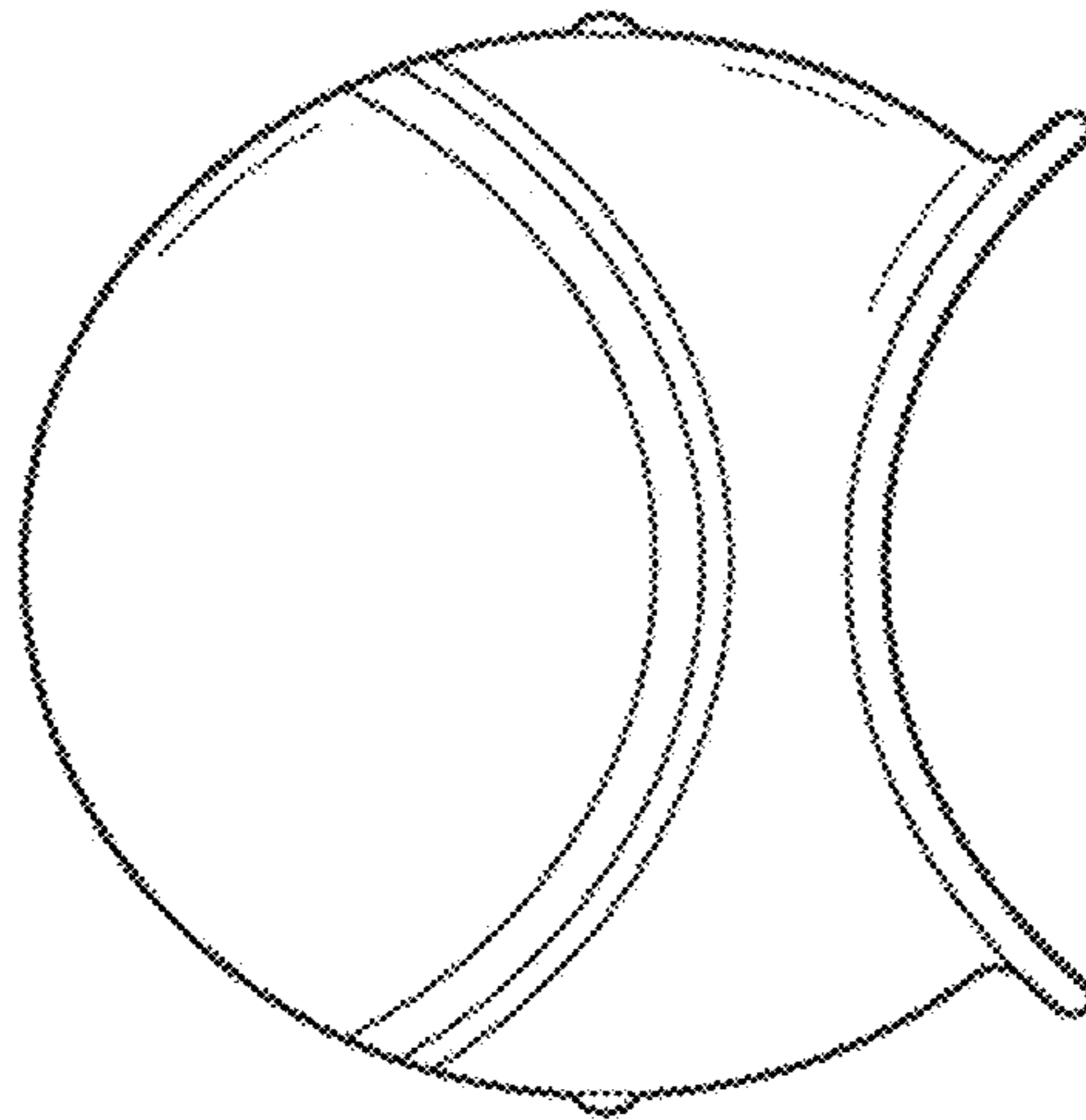


Fig. 3

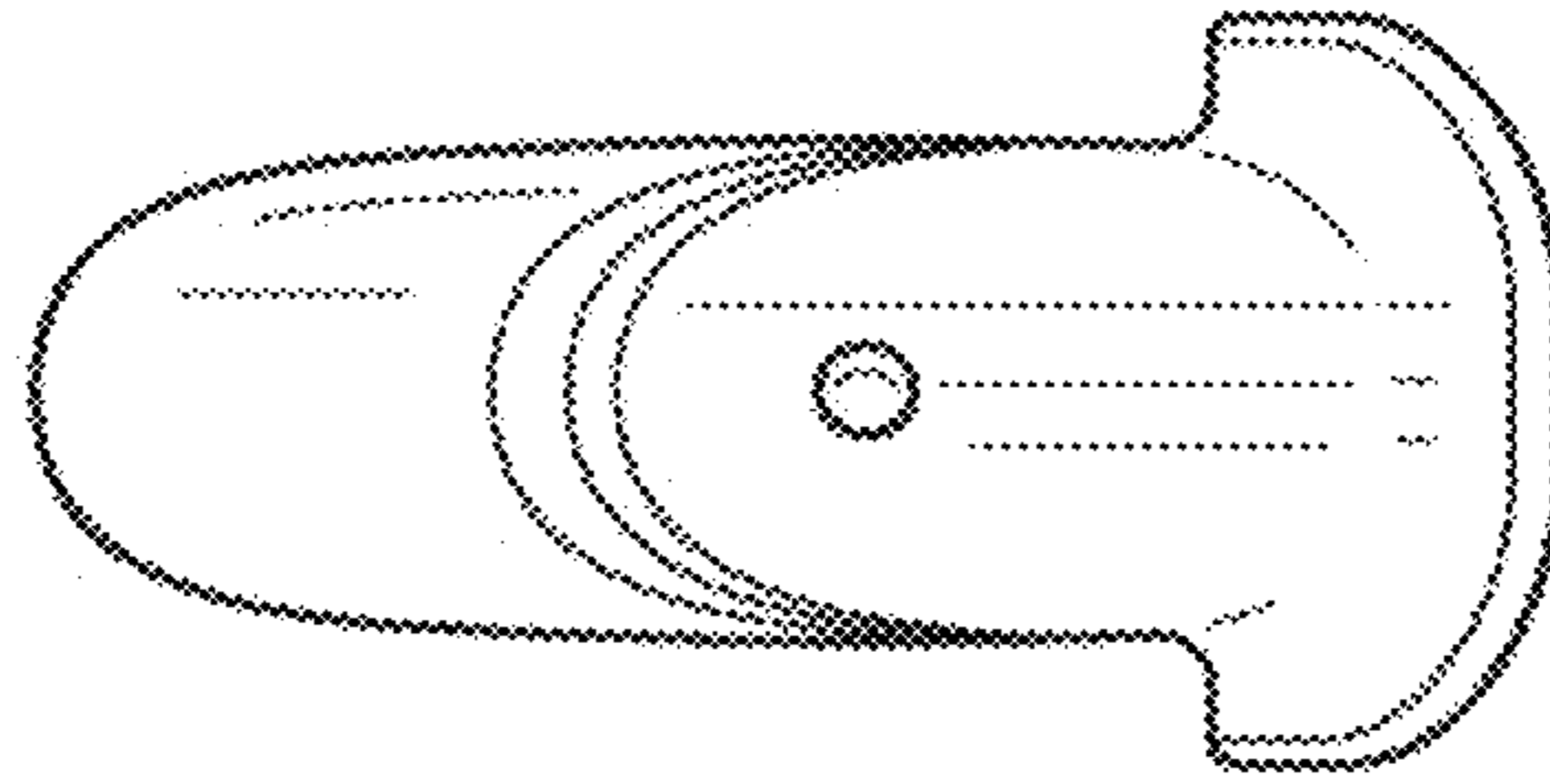


Fig. 4

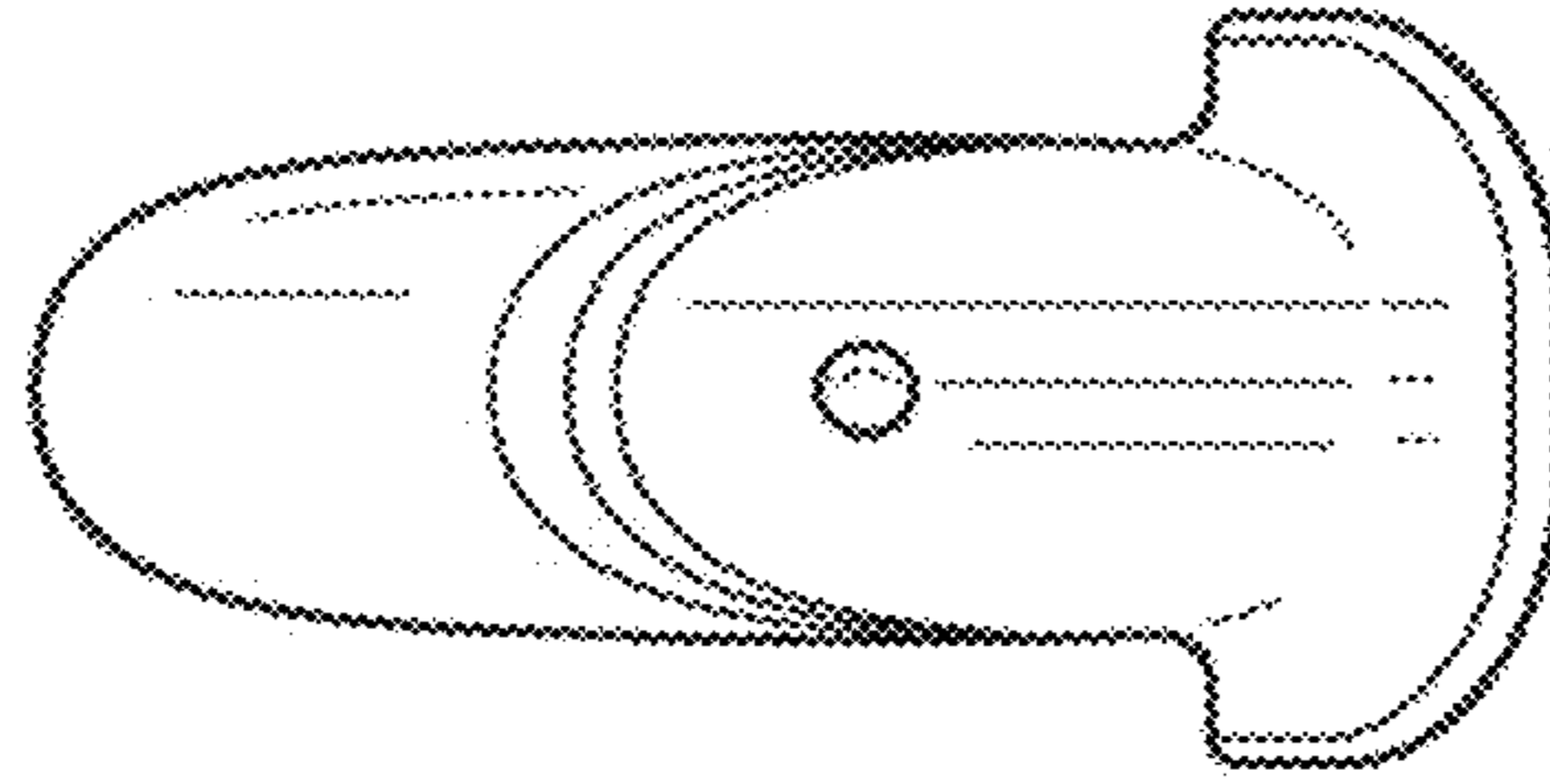


Fig. 5

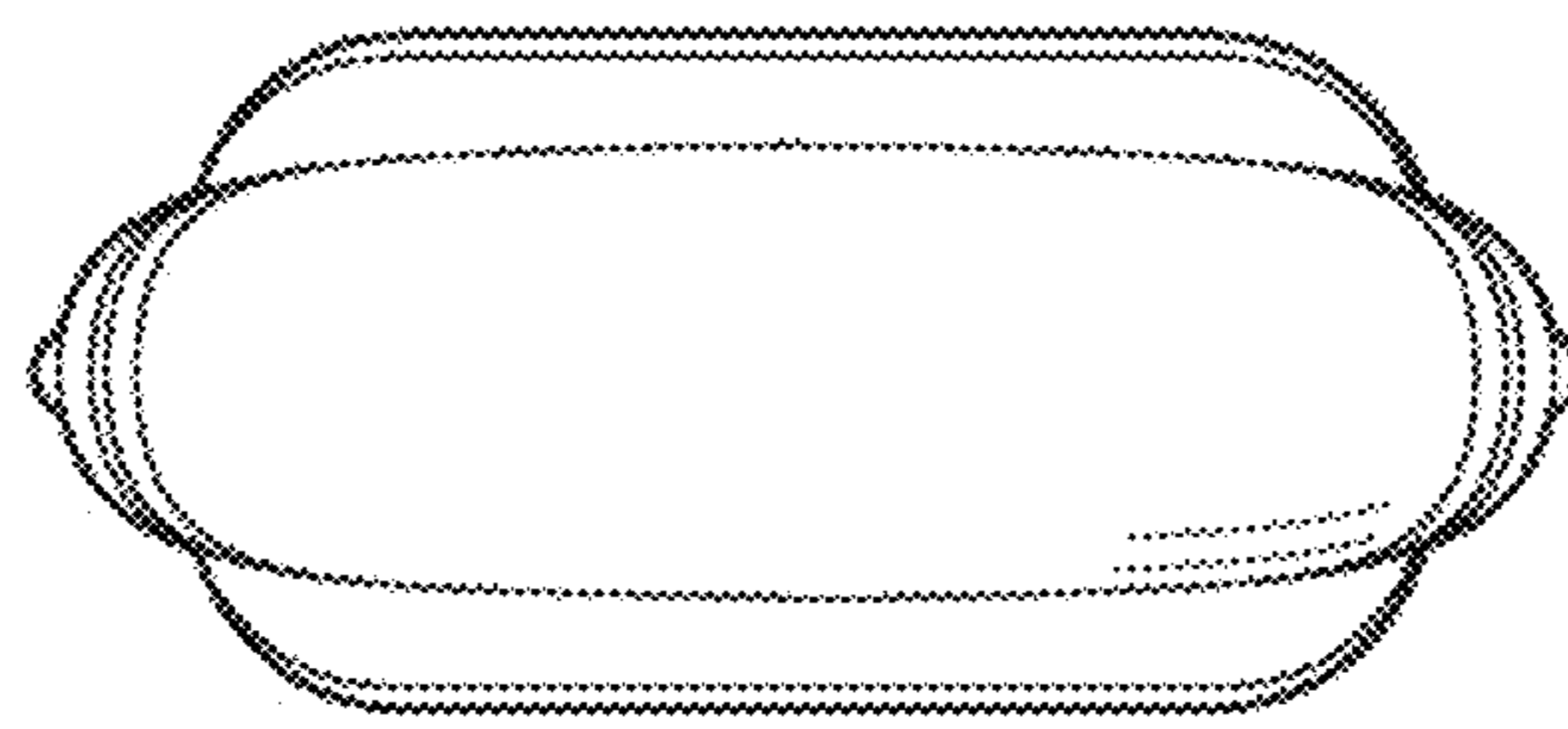


Fig. 6

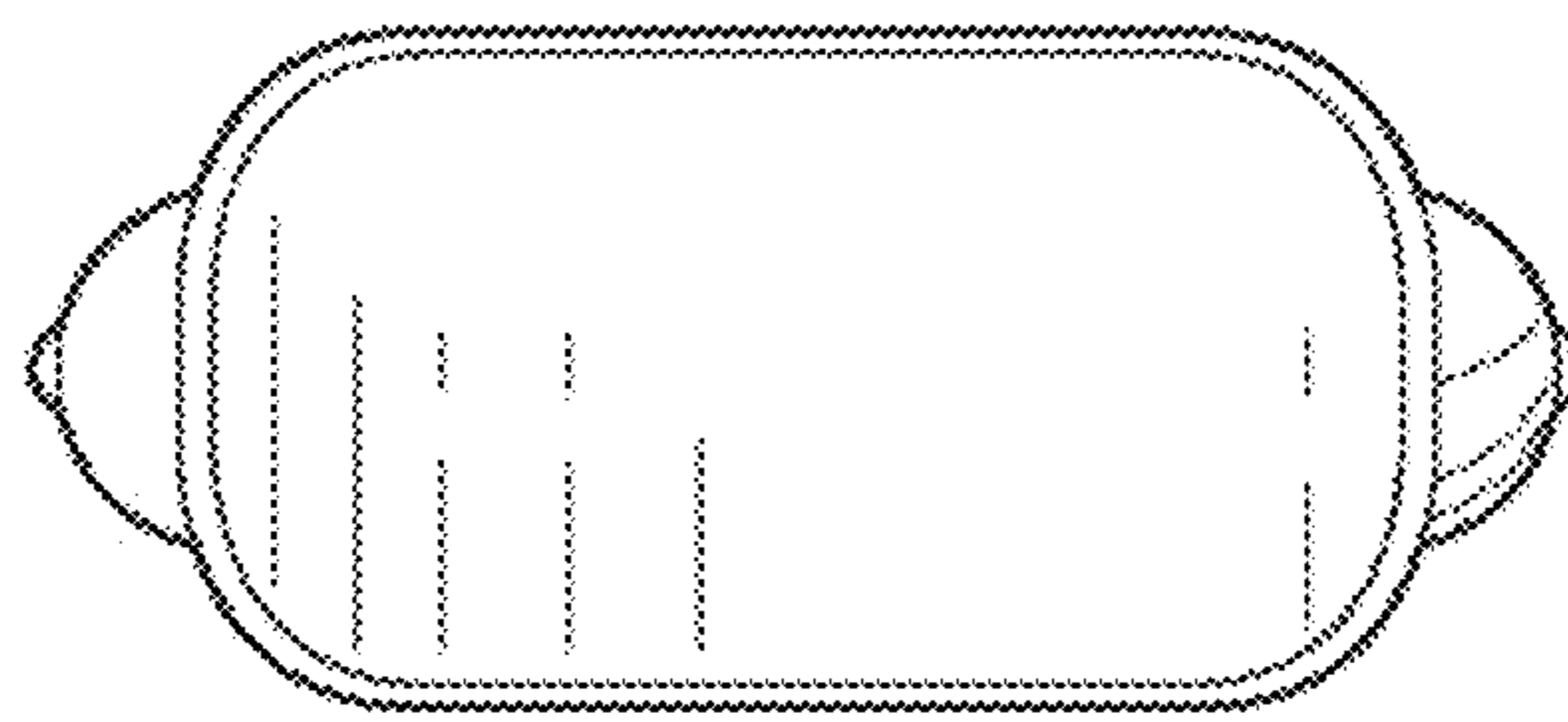


Fig. 7

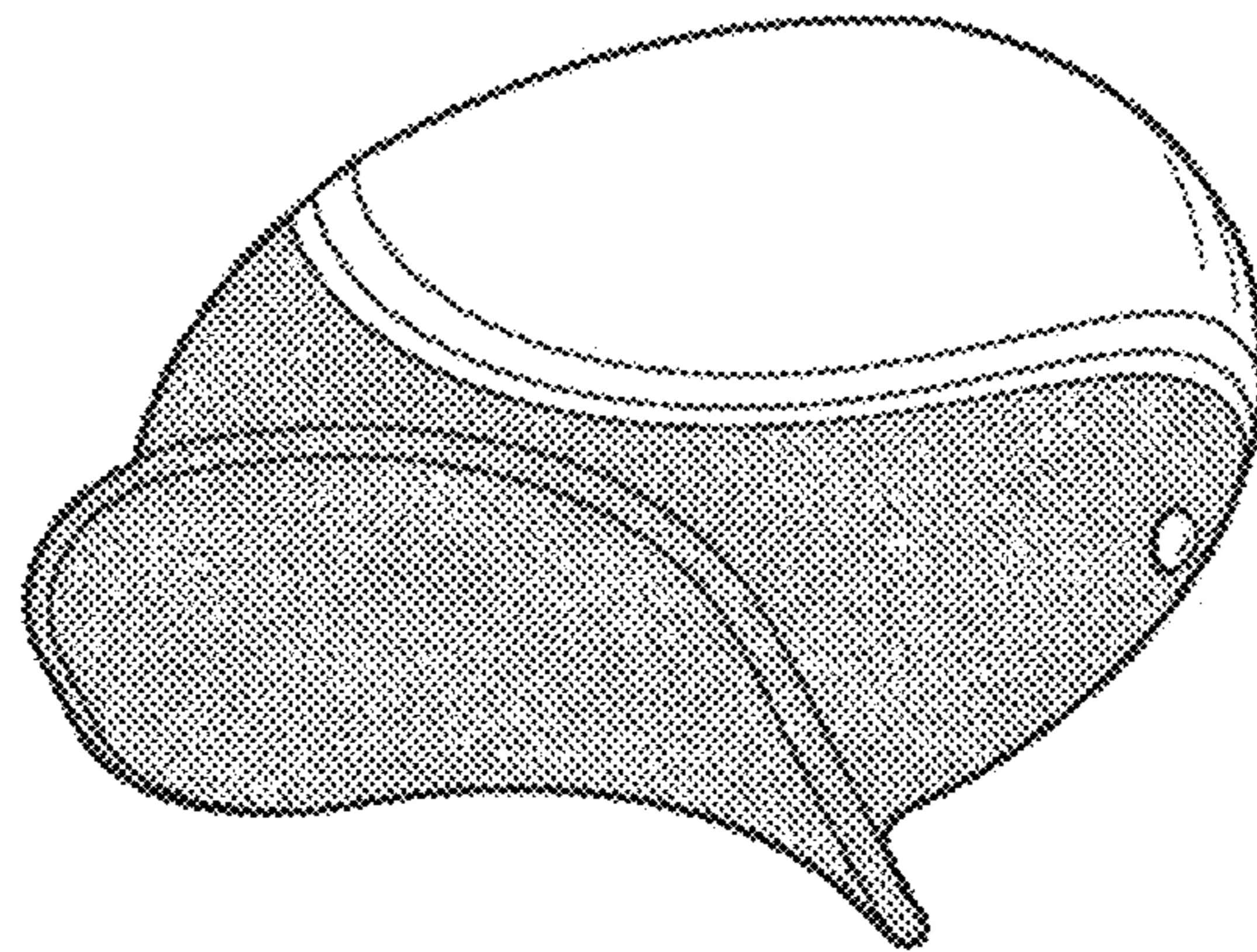


Fig. 8

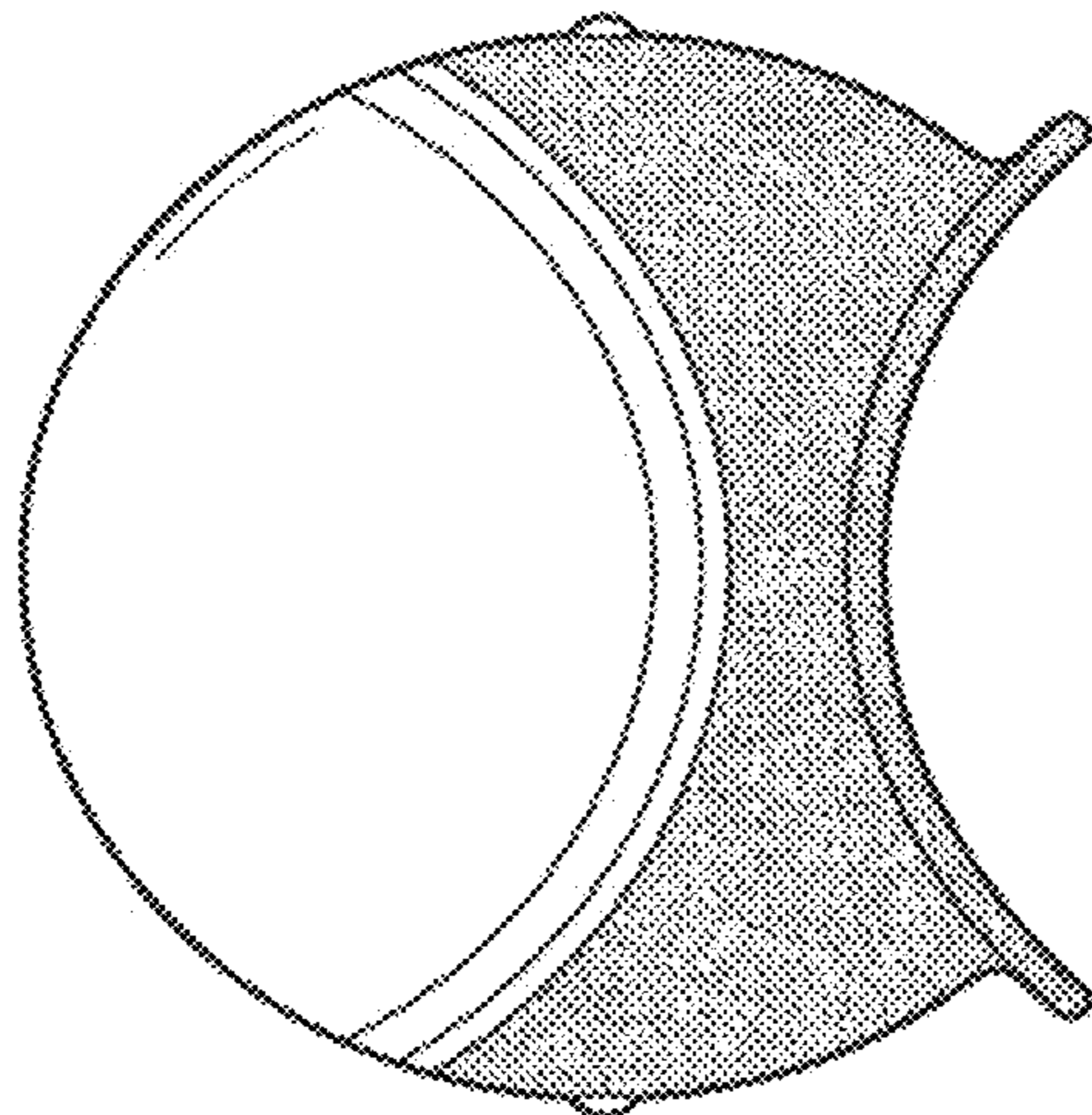


Fig. 9

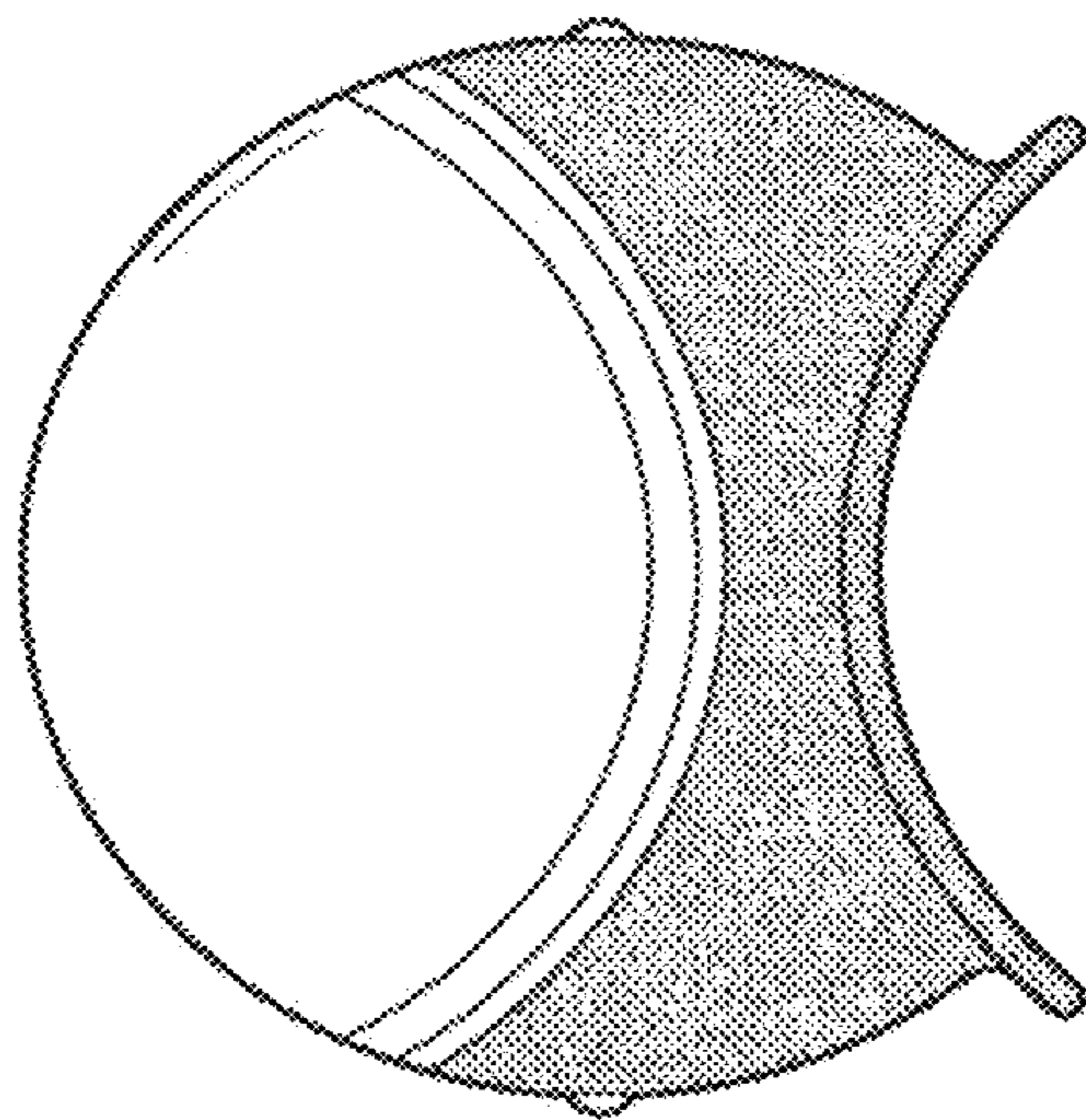


Fig. 10

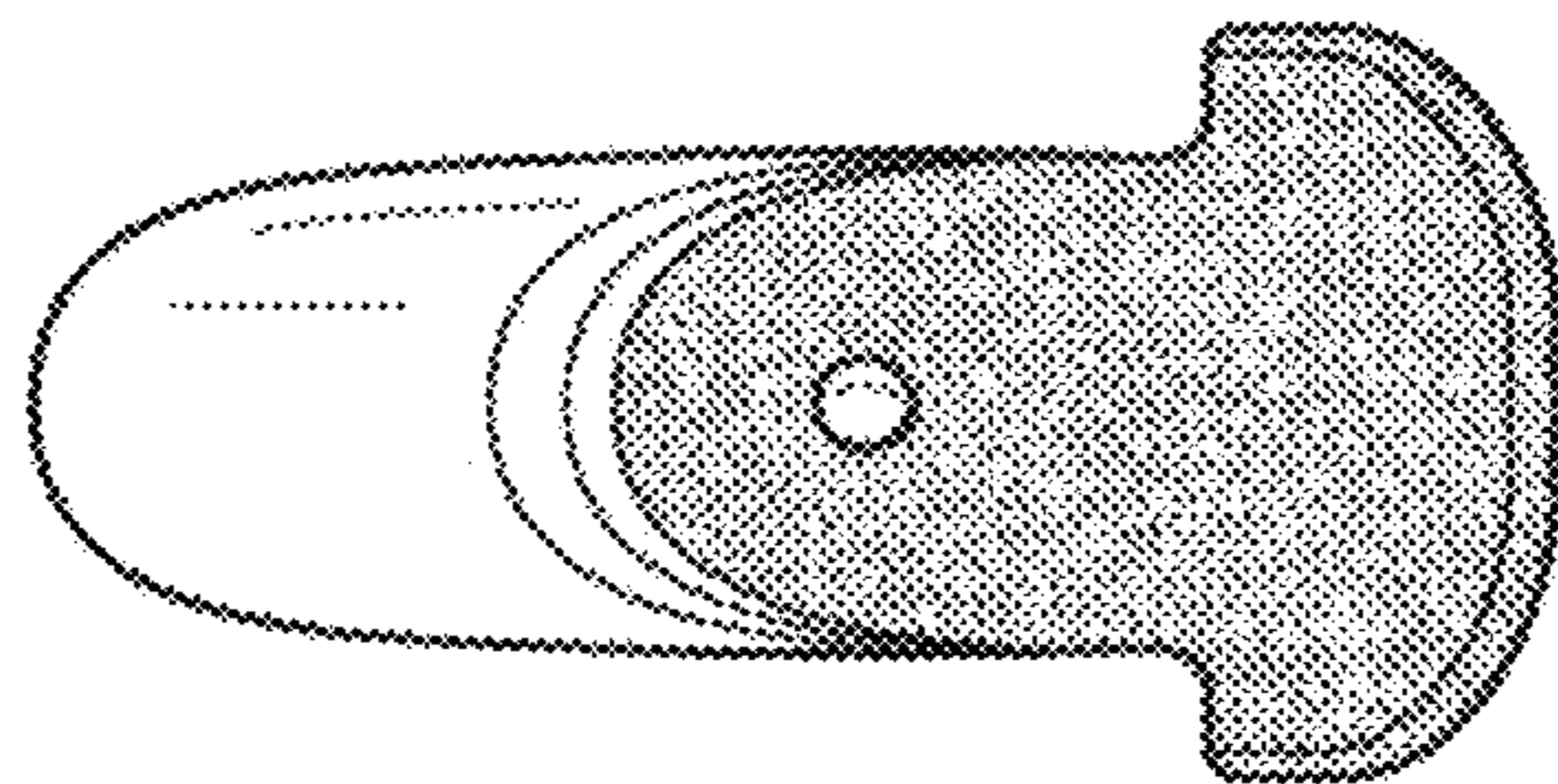


Fig. 11

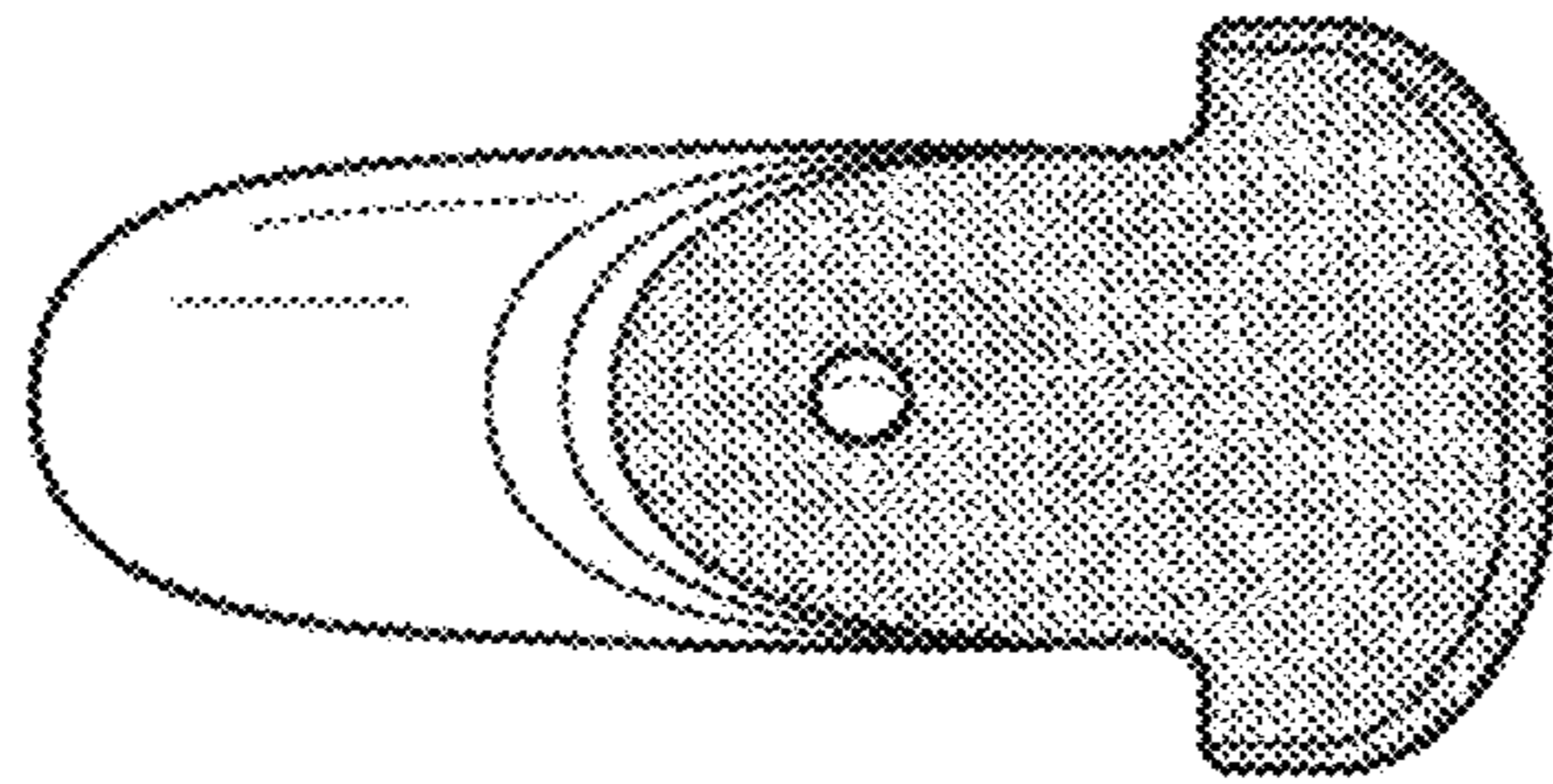


Fig. 12

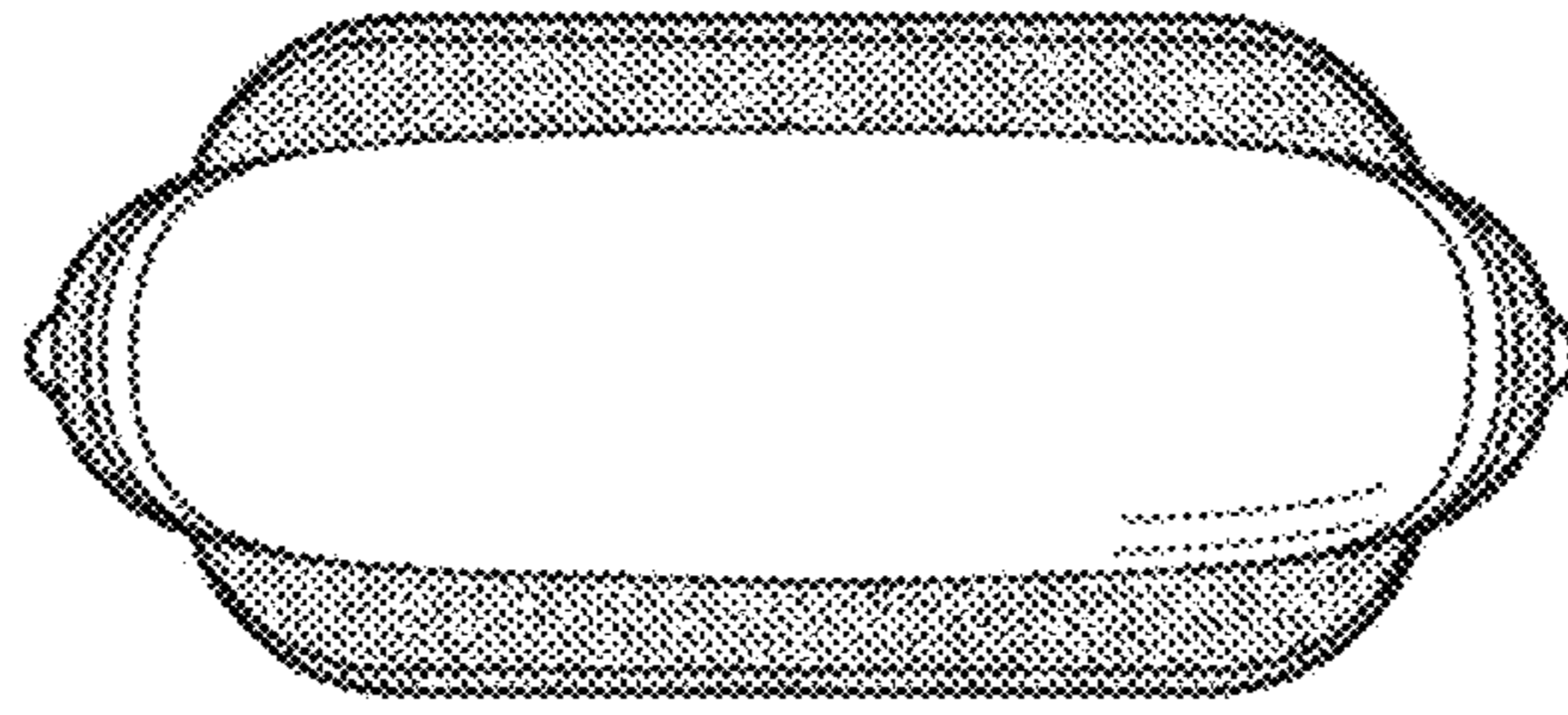


Fig. 13

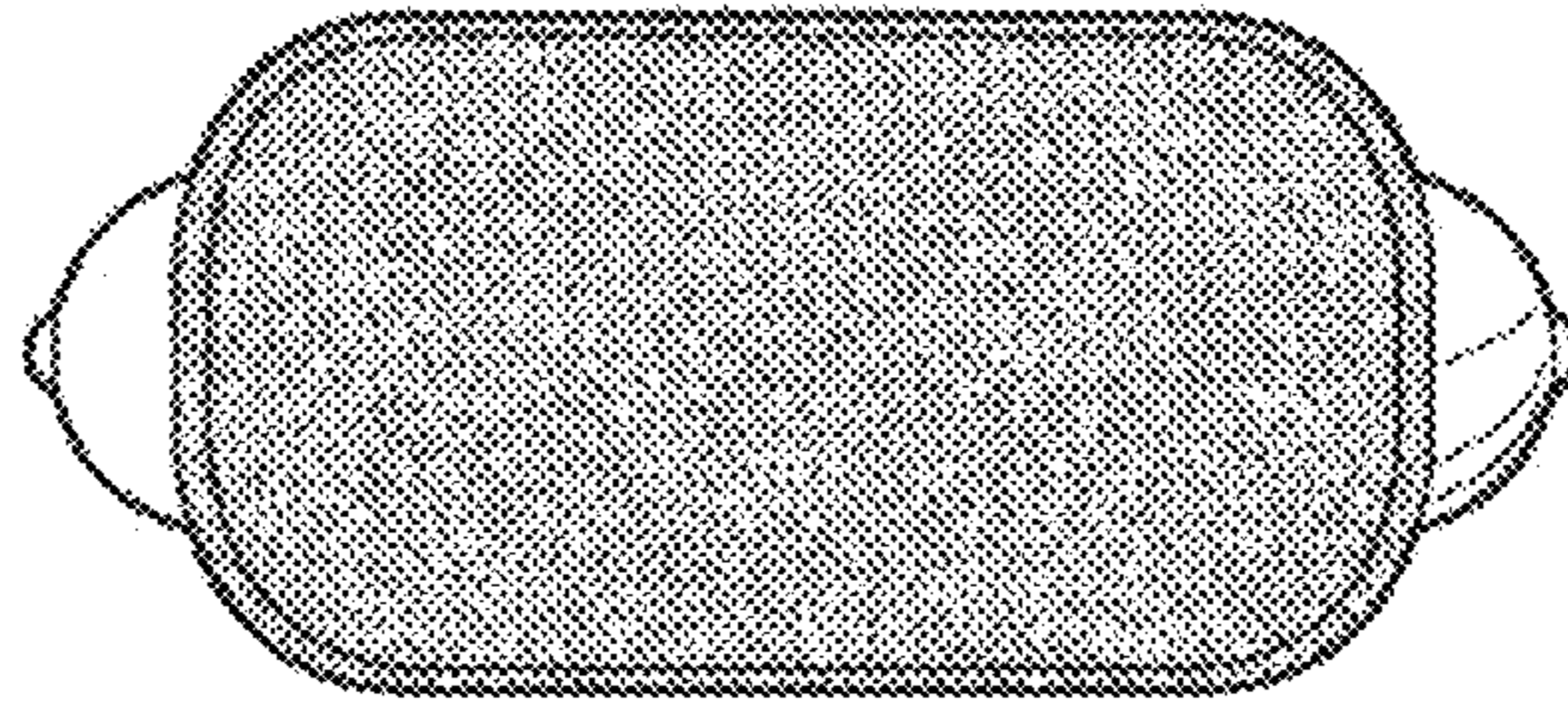


Fig. 14

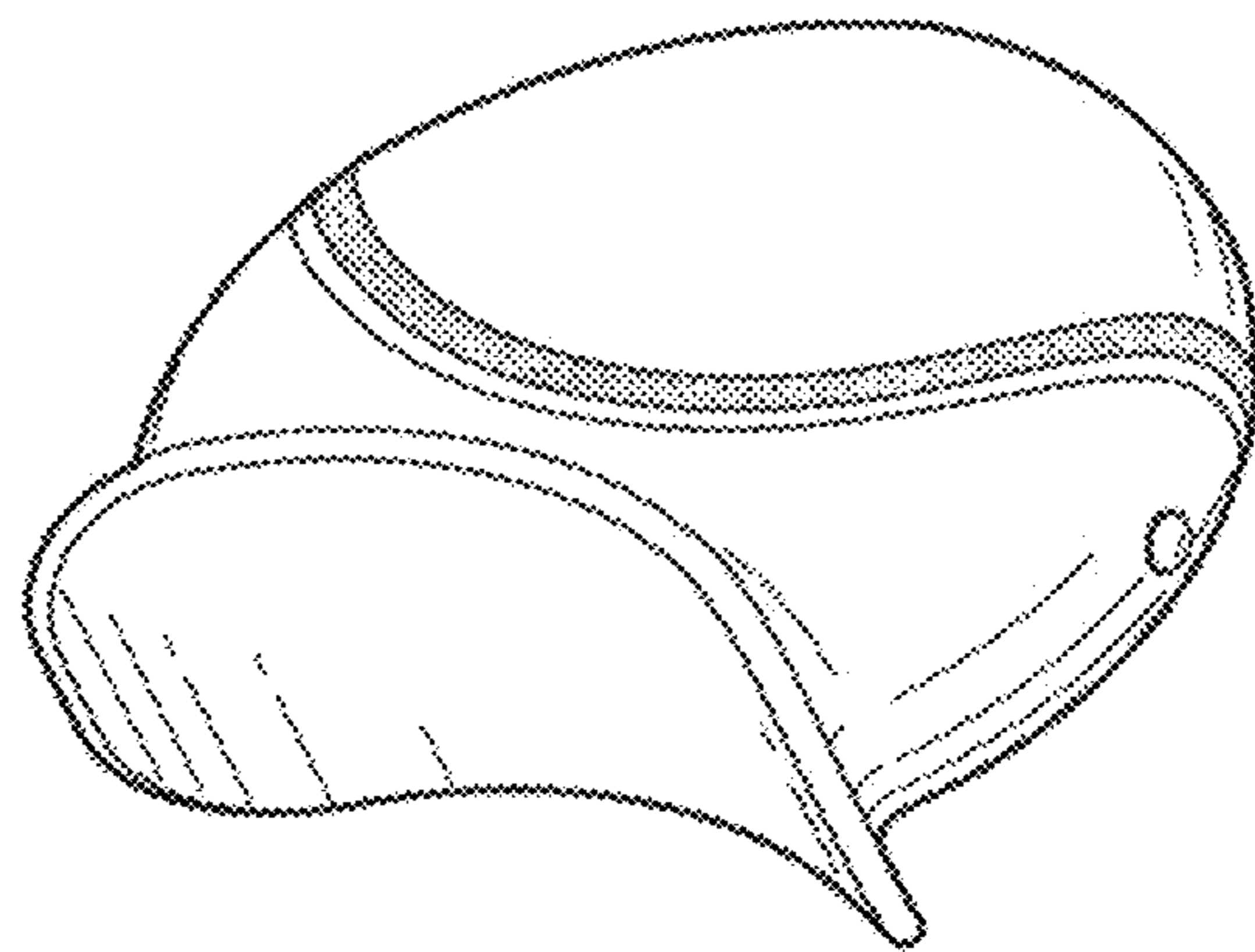


Fig. 15

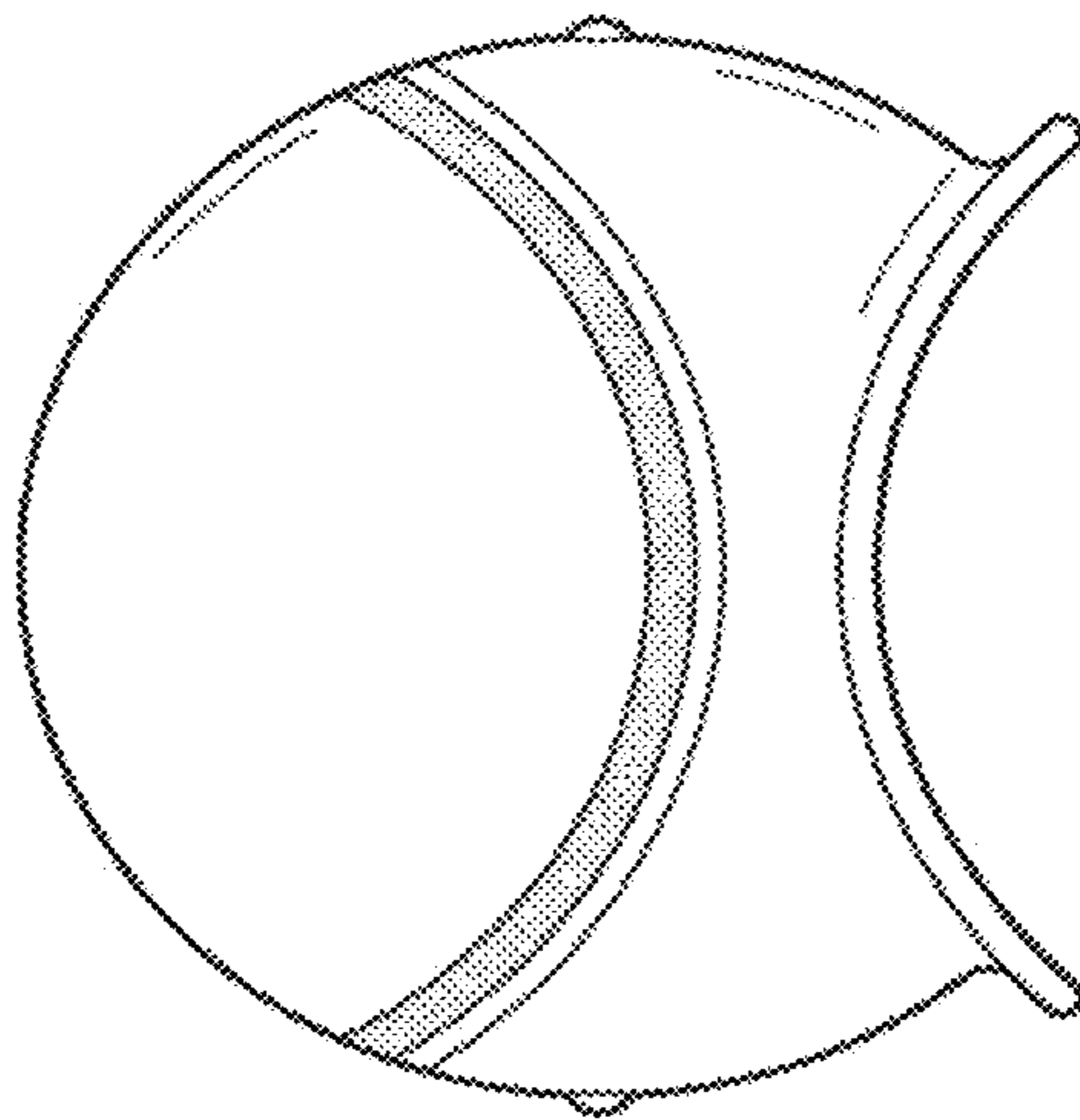


Fig. 16

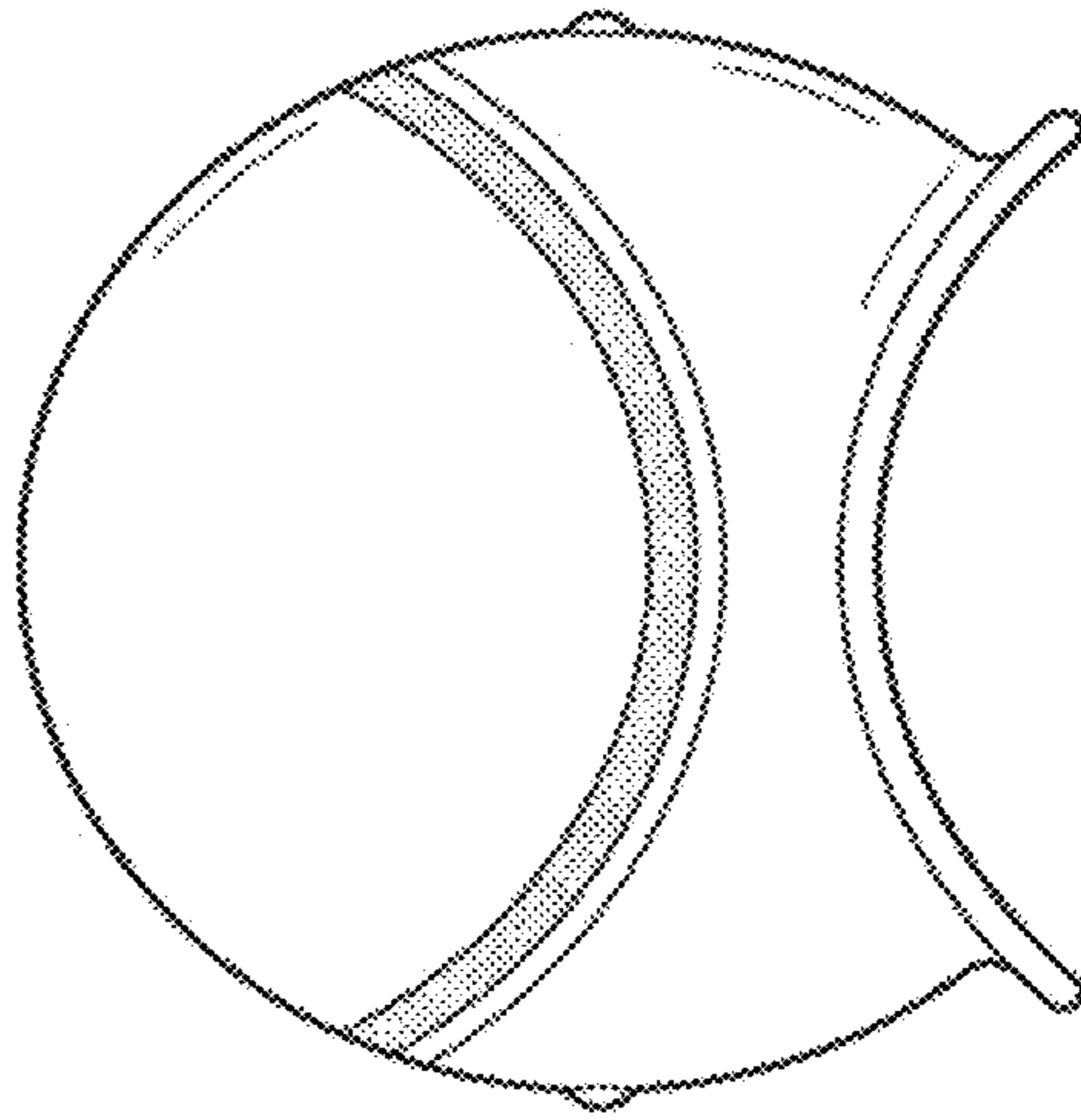


Fig. 17

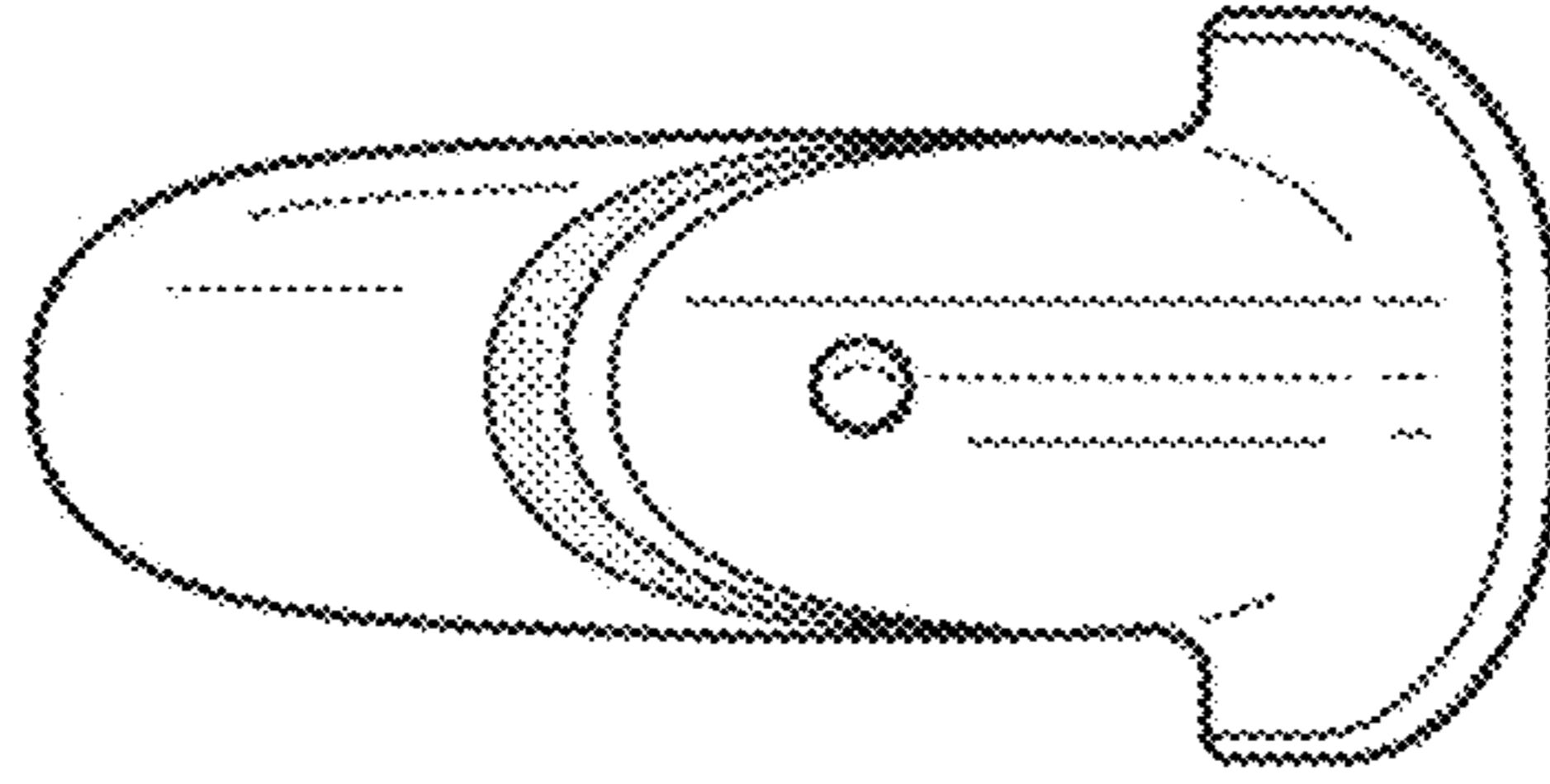


Fig. 18

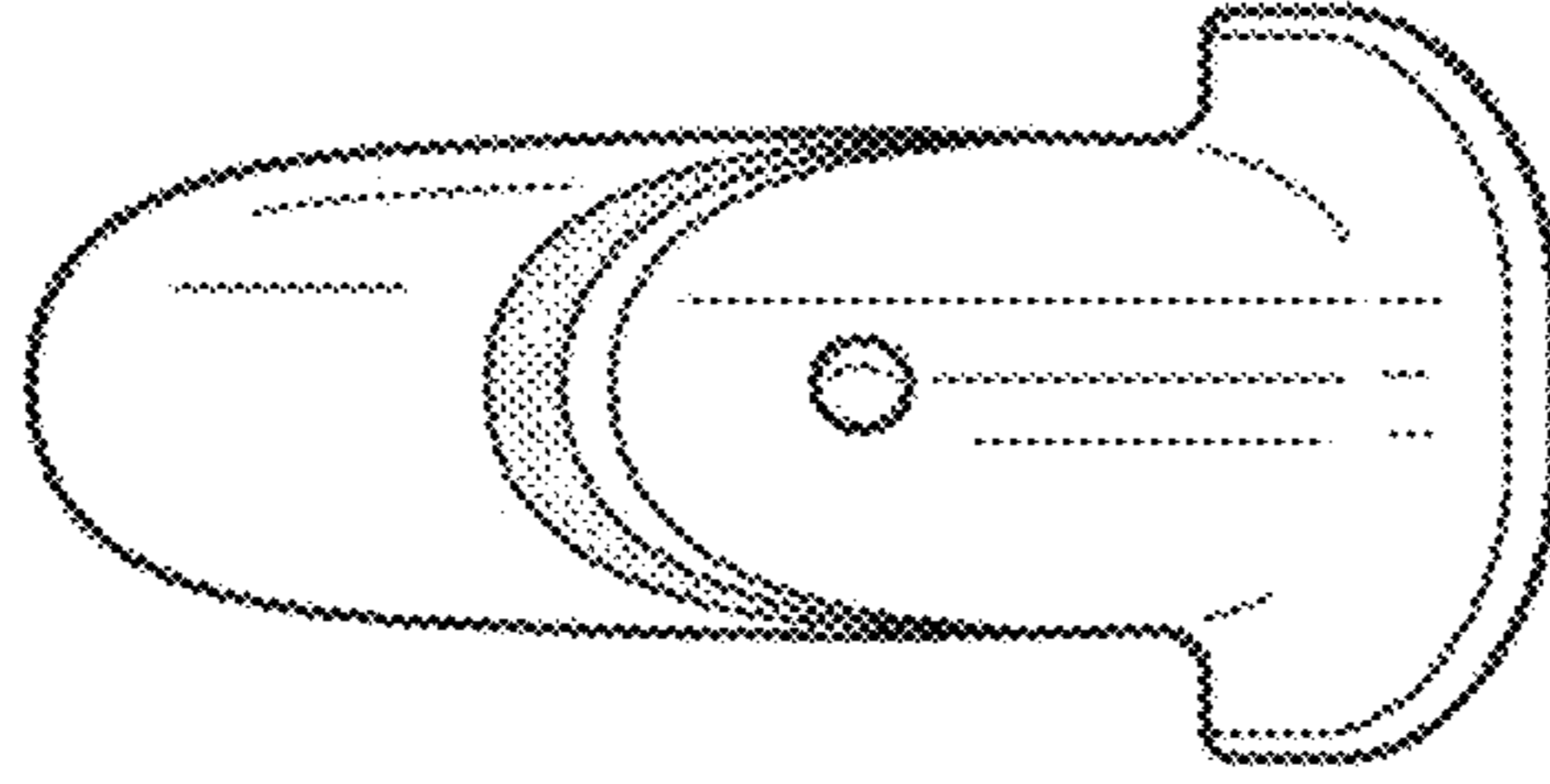


Fig. 19

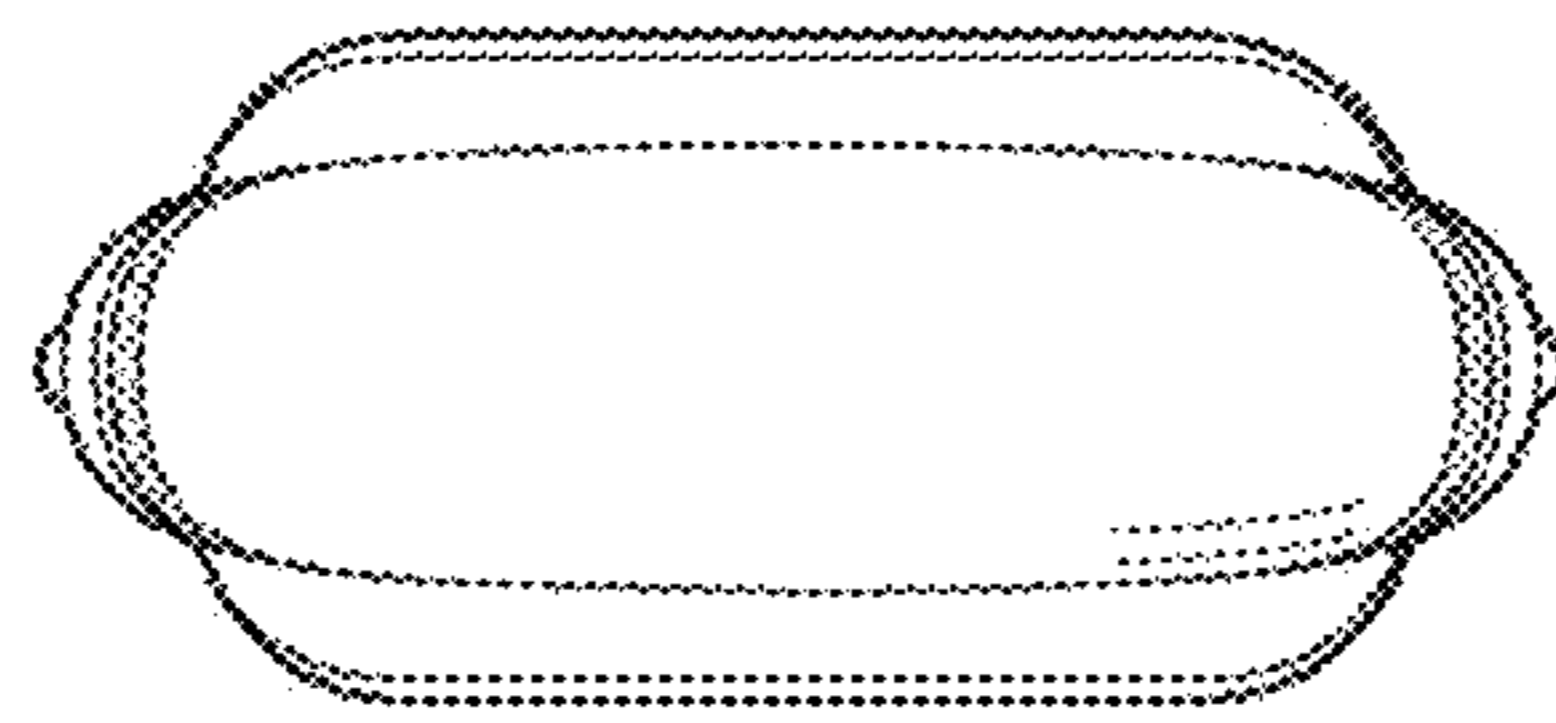


Fig. 20

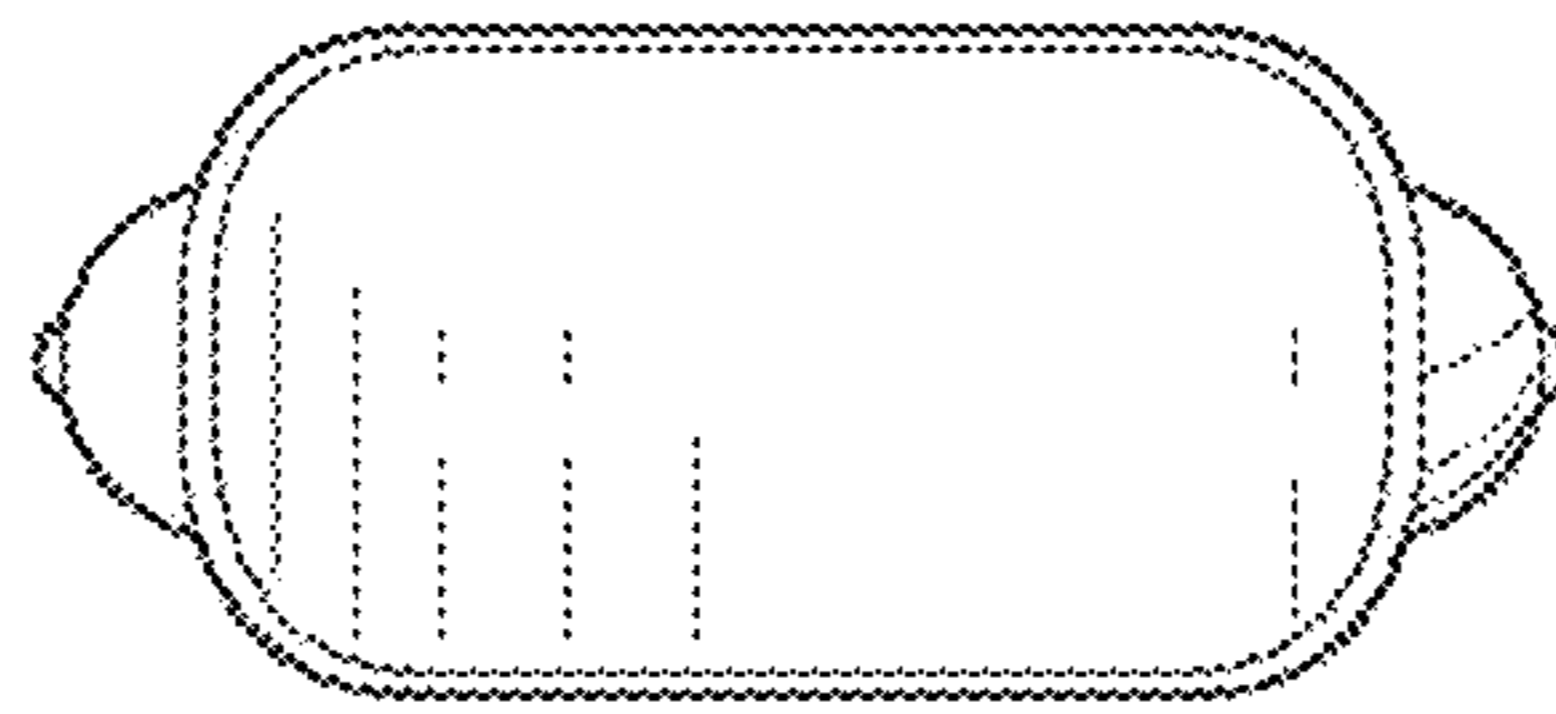


Fig. 21