



US00D802768S

(12) **United States Design Patent** (10) **Patent No.:** **US D802,768 S**  
**Rider et al.** (45) **Date of Patent:** **\*\* Nov. 14, 2017**

(54) **MEDICAL DEVICE**  
(71) Applicant: **Welch Allyn, Inc.**, Skaneateles Falls, NY (US)  
(72) Inventors: **David J. Rider**, Baldwinsville, NY (US); **John A. Lane**, Weedsport, NY (US); **Hon Kuen Leong**, Alexandra Technopark (SG); **John R. Vann**, St. Thomas (CA); **Wilson Hing Wah Ma**, Laguna (HK)  
(73) Assignee: **Welch Allyn, Inc.**, Skaneateles Falls, NY (US)  
(\*\*) Term: **15 Years**  
(21) Appl. No.: **29/554,054**  
(22) Filed: **Feb. 8, 2016**  
(51) **LOC (10) Cl.** ..... **24-02**  
(52) **U.S. Cl.**  
USPC ..... **D24/165; D24/107**  
(58) **Field of Classification Search**  
USPC ..... D24/107, 165, 185, 186  
CPC . A61B 5/022; A61B 5/02233; A61B 5/02225;  
A61B 5/021; A61B 5/6824; A61B 5/742;  
A61B 5/02141; A61M 2230/30  
See application file for complete search history.

(56) **References Cited**  
U.S. PATENT DOCUMENTS  
D533,279 S \* 12/2006 Kobayashi ..... D24/165  
D533,666 S \* 12/2006 Kobayashi ..... D24/165  
D541,941 S \* 5/2007 Nakanishi ..... D24/165  
D548,839 S \* 8/2007 Kobayakawa ..... D24/165  
D569,518 S \* 5/2008 Kitamura ..... D24/165  
D574,497 S \* 8/2008 Kitamura ..... D24/165  
D577,440 S \* 9/2008 Ferber ..... D24/165  
D583,060 S \* 12/2008 Kitamura ..... D24/165  
D583,474 S \* 12/2008 Mitsunami ..... D24/165

D583,950 S \* 12/2008 Itonaga ..... D24/165  
D612,503 S \* 3/2010 Johnston ..... D24/186  
D642,274 S \* 7/2011 Ogihara ..... D24/165  
D651,716 S \* 1/2012 Shibata ..... D24/165  
D665,501 S \* 8/2012 Shibata ..... D24/165  
D700,341 S \* 2/2014 Uozumi ..... D24/165  
D717,440 S \* 11/2014 Shibata ..... D24/165  
D722,165 S \* 2/2015 Pukall ..... D24/165  
D739,938 S \* 9/2015 Schempp ..... D24/165  
D739,939 S \* 9/2015 Uozumi ..... D24/165  
D743,035 S \* 11/2015 Uozumi ..... D24/165  
2011/0301476 A1\* 12/2011 Sawanoi ..... A61B 5/022  
600/494  
2011/0306888 A1\* 12/2011 Kobayashi ..... A61B 5/0225  
600/494  
2012/0226169 A1\* 9/2012 Doi ..... A61B 5/02141  
600/490

(Continued)

*Primary Examiner* — Barbara Fox  
*Assistant Examiner* — Lilyana Bekic  
(74) *Attorney, Agent, or Firm* — Alston & Bird LLP

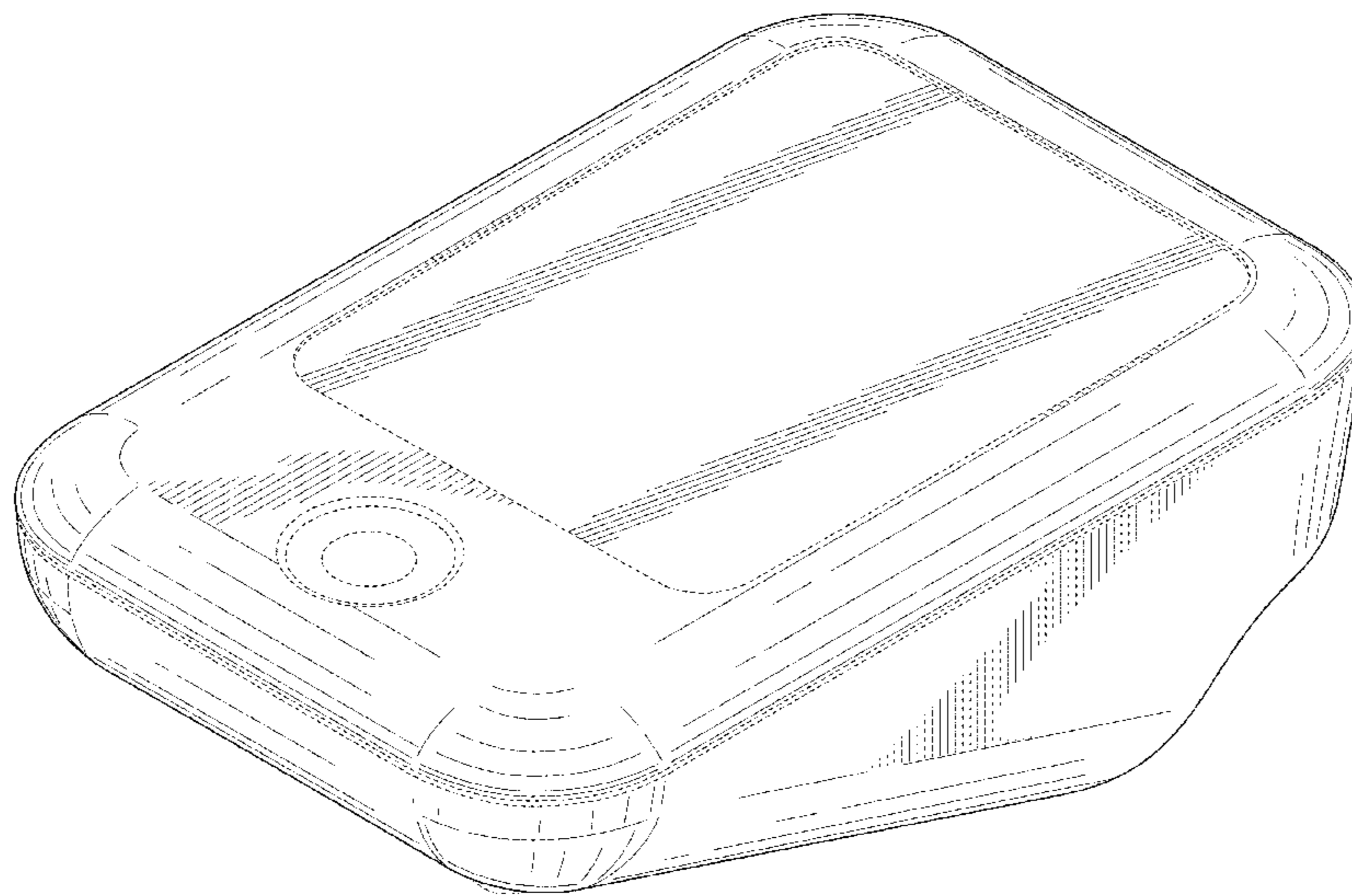
(57) **CLAIM**

The ornamental design for a medical device, as shown and described.

**DESCRIPTION**

FIG. 1 is a perspective view of a medical device showing our new design;  
FIG. 2 is a top plan view thereof;  
FIG. 3 is a bottom plan view thereof;  
FIG. 4 is a front elevation view thereof;  
FIG. 5 is a rear elevation view thereof;  
FIG. 6 is a left side elevation view thereof; and,  
FIG. 7 is a right side elevation view thereof.  
Broken lines shown immediately adjacent shaded areas define the bounds of the claimed design. All other broken lines depict portions of the medical device. The broken lines form no part of the claimed design.

**1 Claim, 6 Drawing Sheets**



(56)

**References Cited**

U.S. PATENT DOCUMENTS

2012/0226170	A1*	9/2012	Doi	.....	A61B 5/02225	600/490
2012/0226171	A1*	9/2012	Doi	.....	A61B 5/02141	600/490
2012/0226172	A1*	9/2012	Doi	.....	A61B 5/02141	600/490
2013/0226012	A1*	8/2013	Kinoshita	.....	A61B 5/02108	600/490
2014/0350419	A1*	11/2014	Doi	.....	A61B 5/02233	600/499

\* cited by examiner

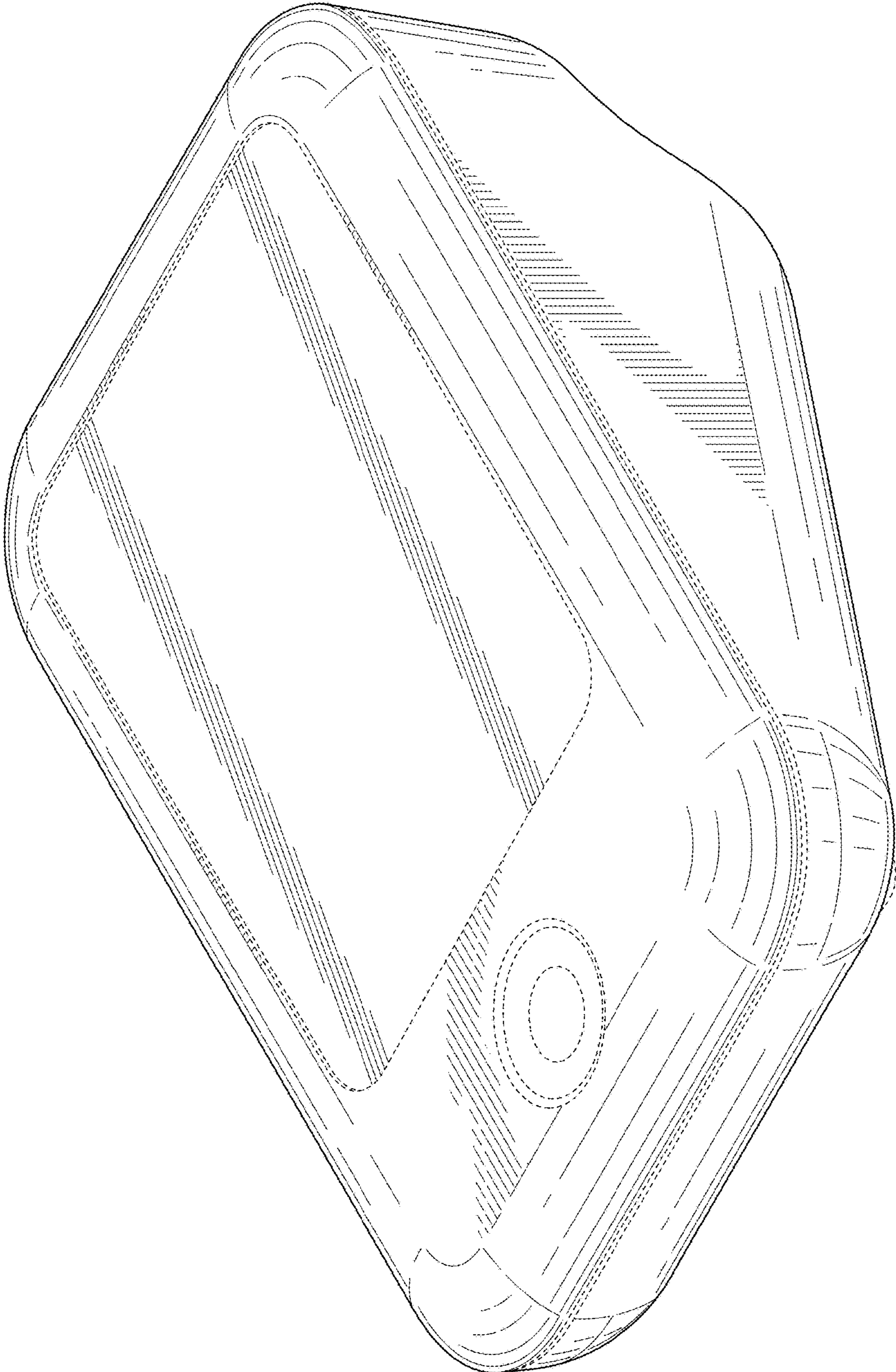


FIG. 1

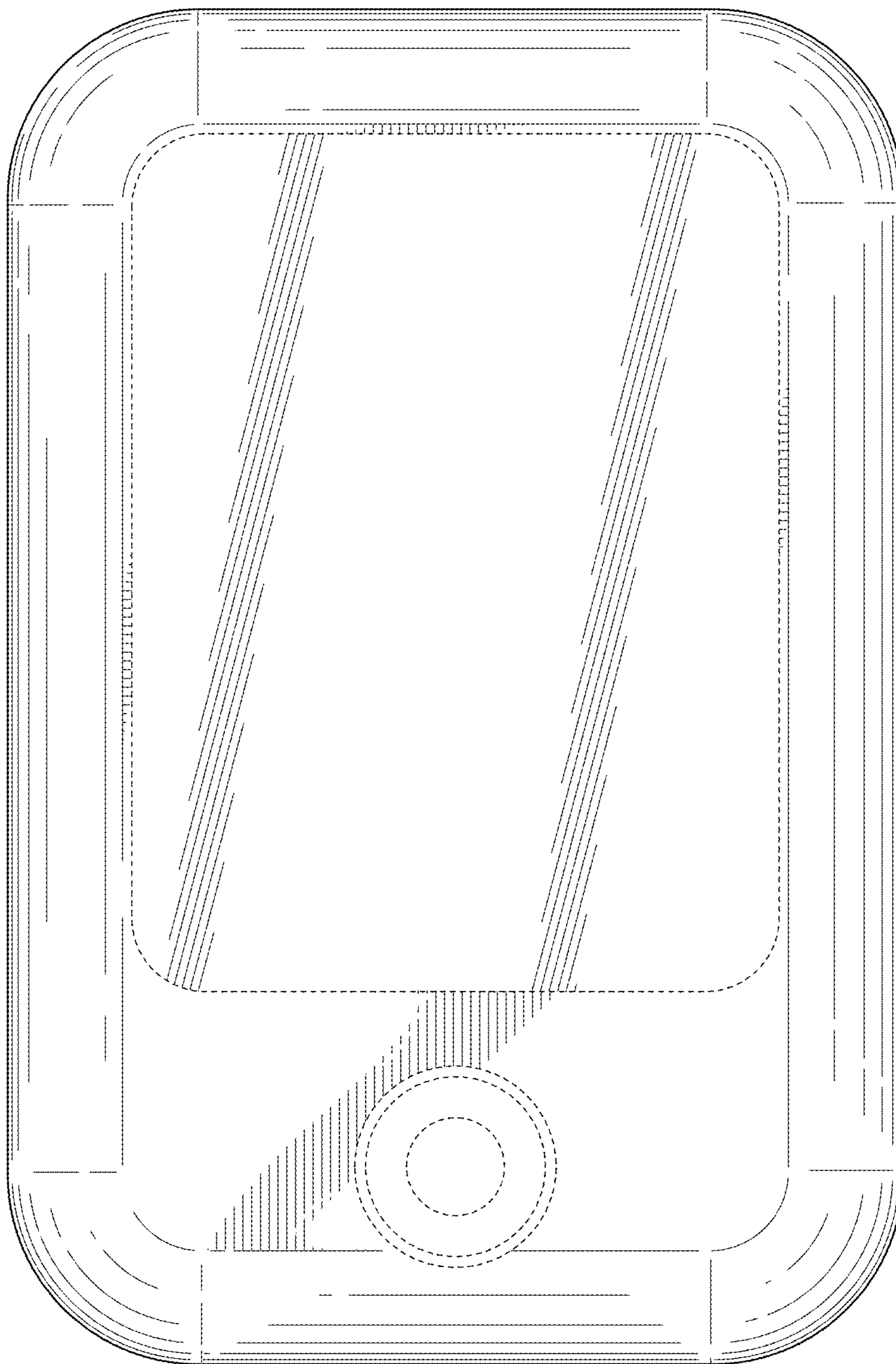


FIG. 2

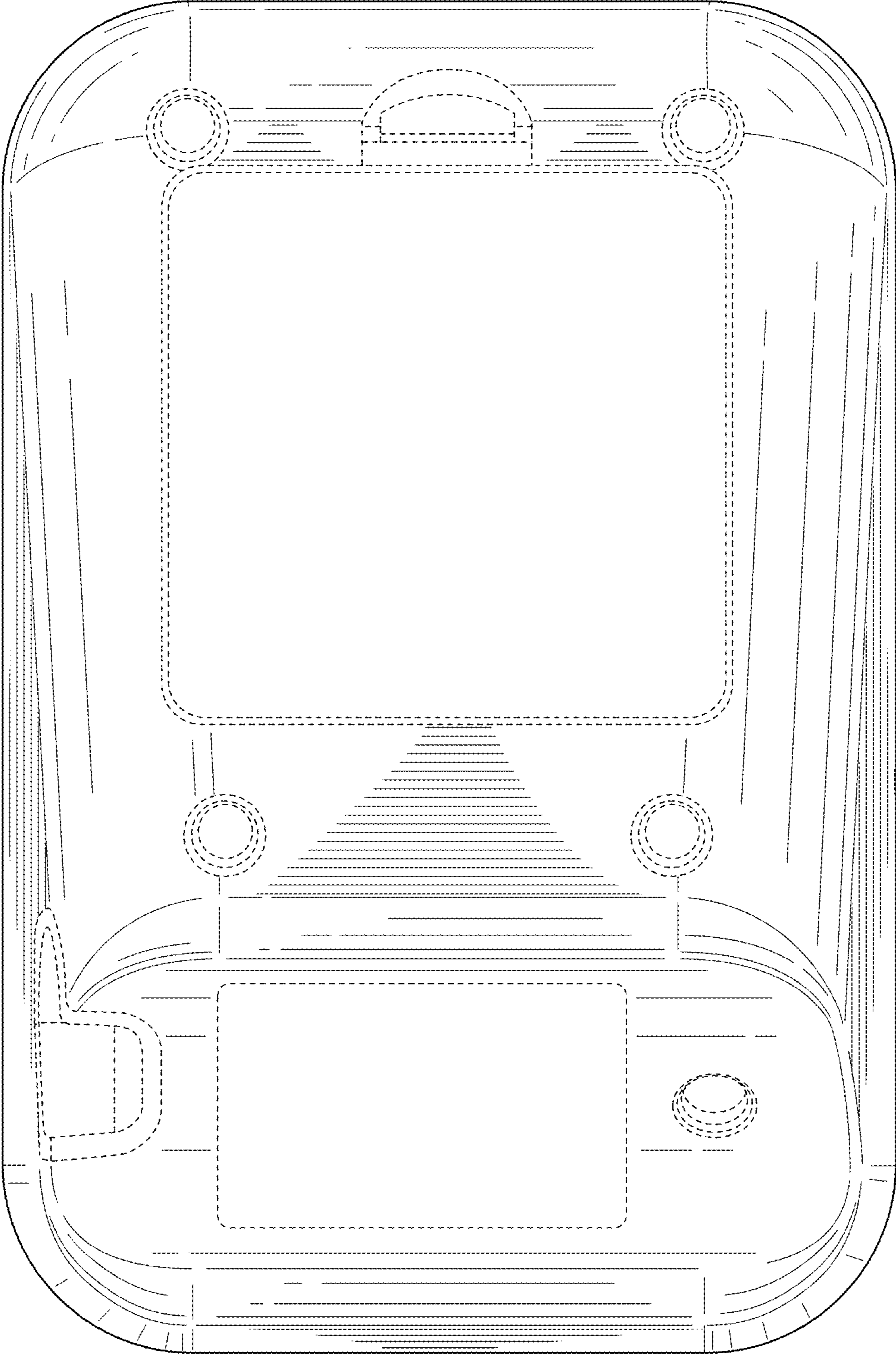


FIG. 3

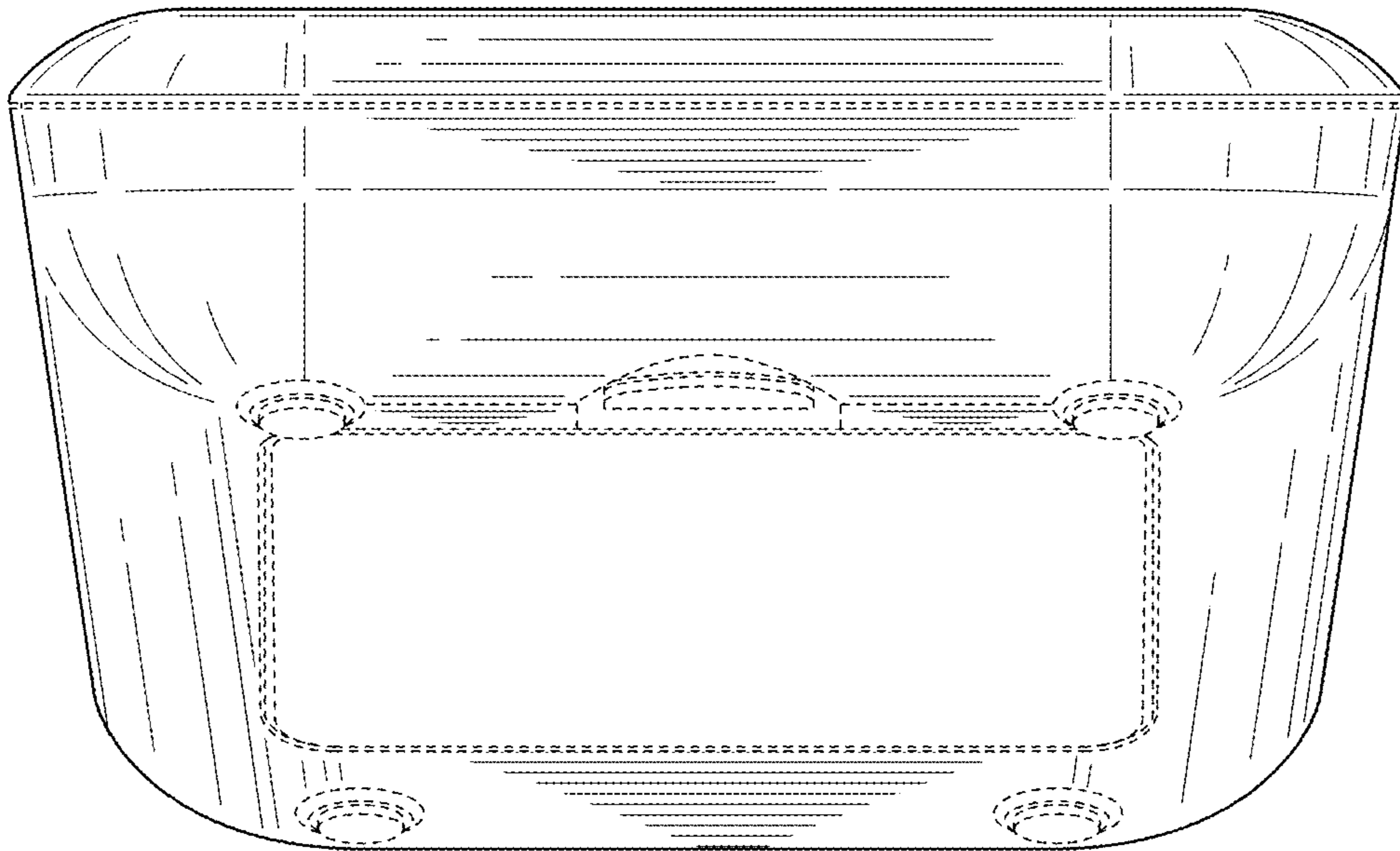


FIG. 4

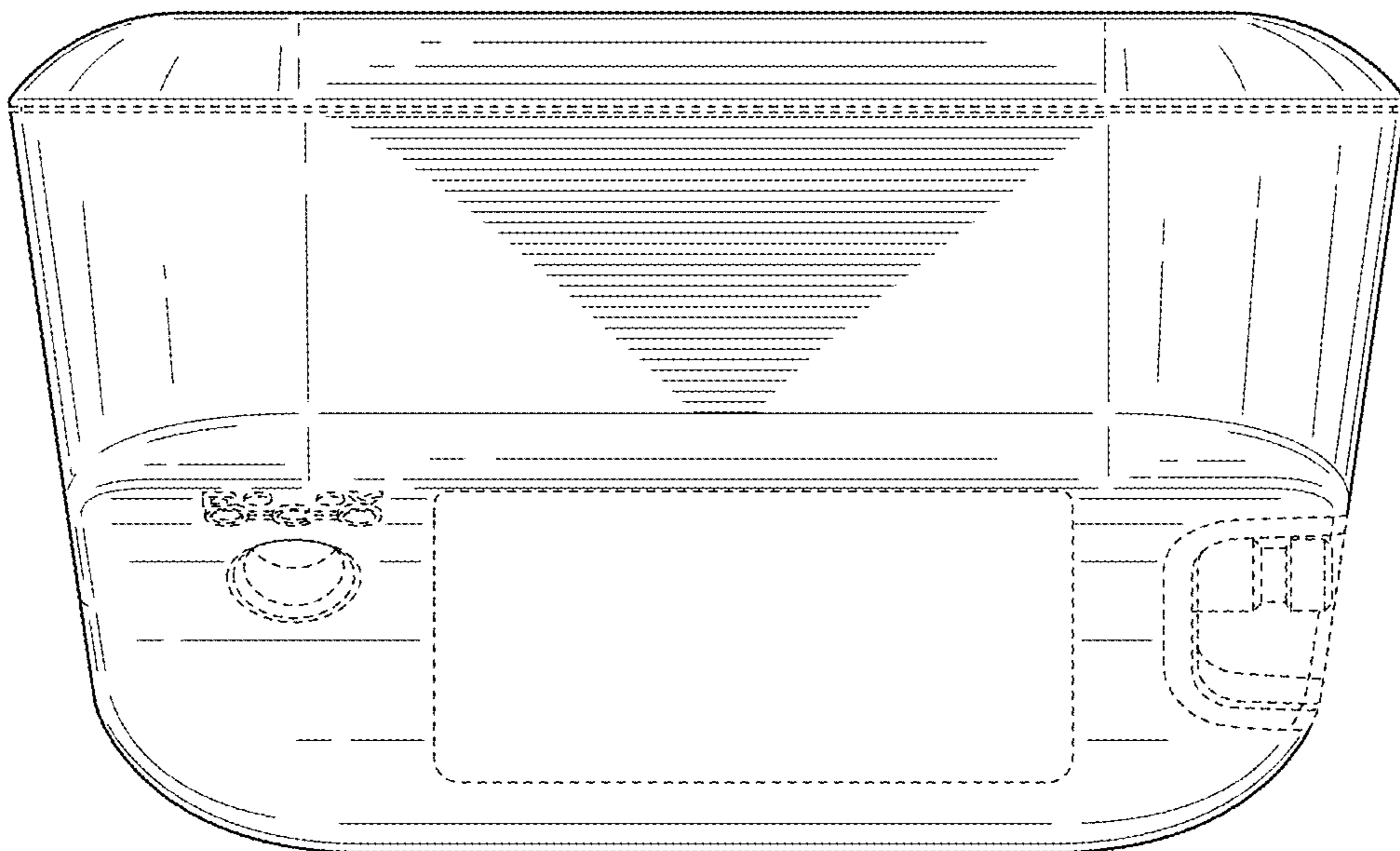


FIG. 5

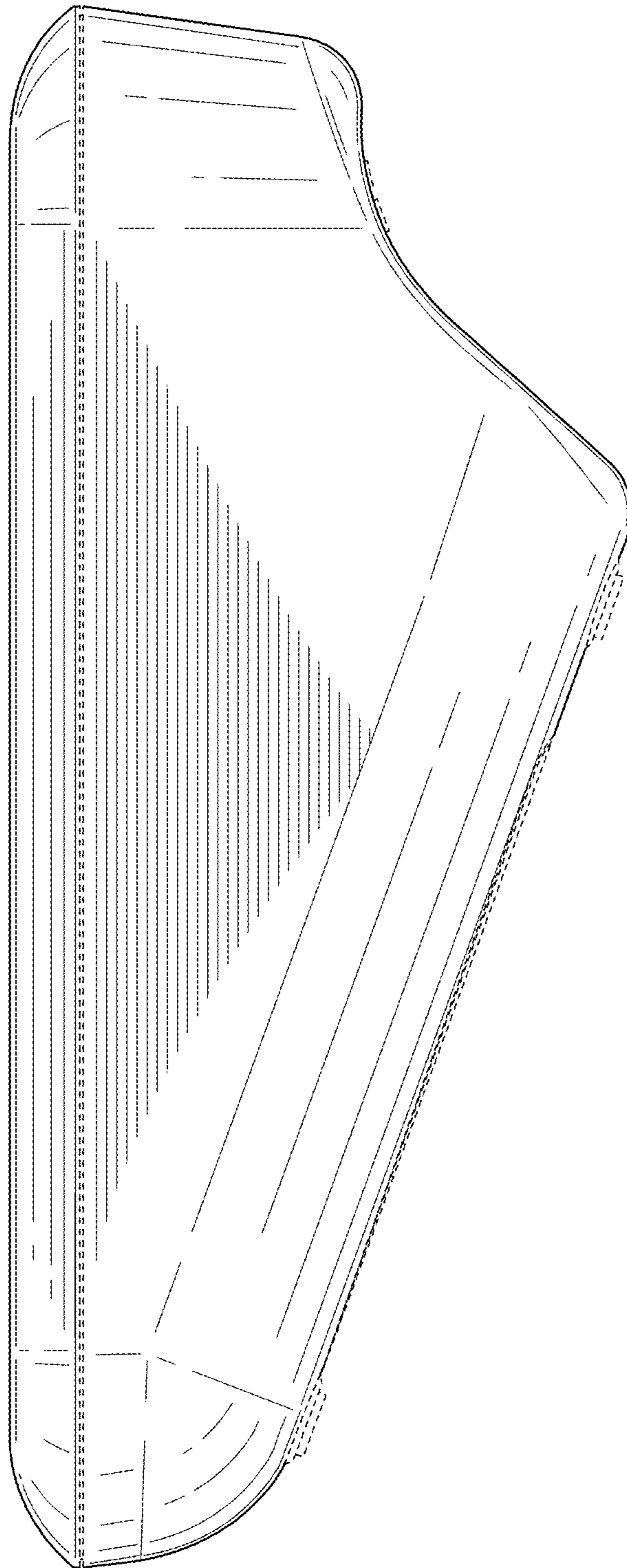


FIG. 6

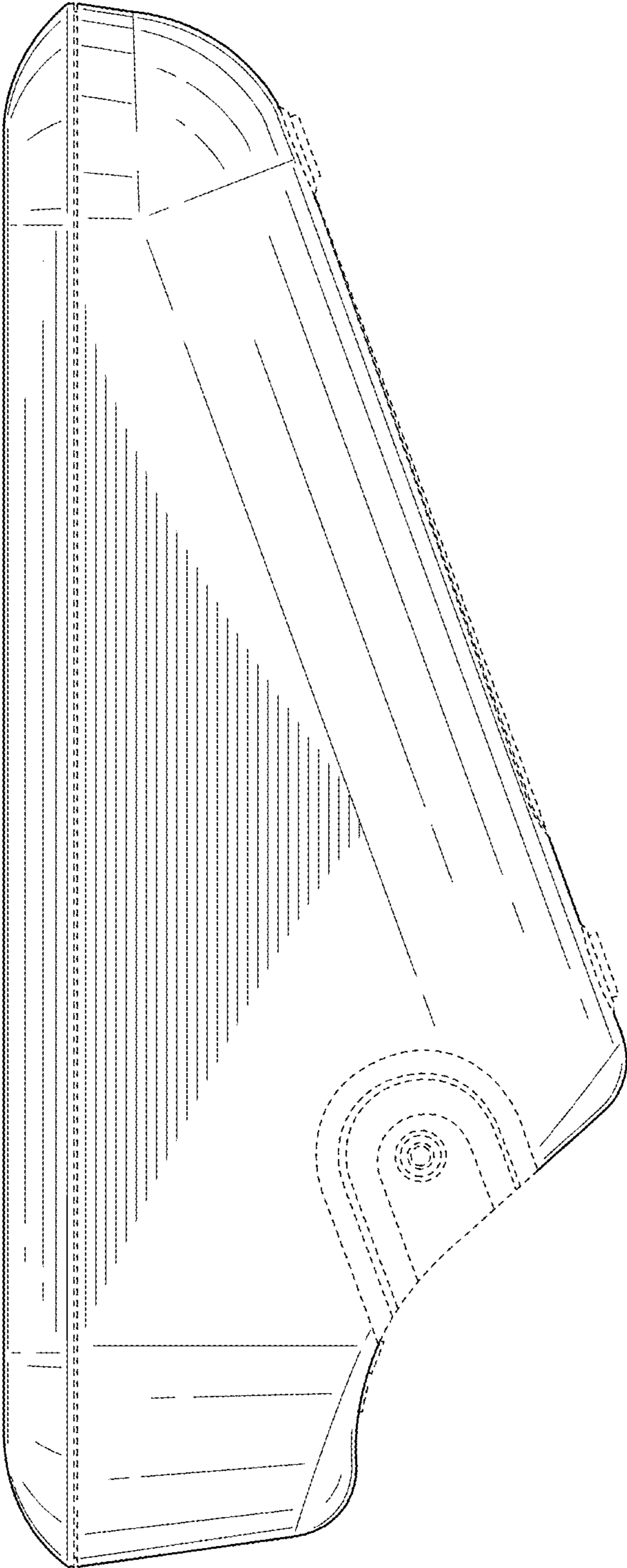


FIG. 7