



US00D802763S

(12) **United States Design Patent**
Sweitzer

(10) **Patent No.:** **US D802,763 S**

(45) **Date of Patent:** **** Nov. 14, 2017**

(54) **OSTEOTOME**

(71) Applicant: **Shukla Medical**, Piscataway, NJ (US)

(72) Inventor: **Zachary Robert Sweitzer**, Blasking Ridge, NJ (US)

(73) Assignee: **Shukla Medical**, Piscataway, NJ (US)

(**) Term: **15 Years**

(21) Appl. No.: **29/563,336**

(22) Filed: **May 4, 2016**

(51) **LOC (10) Cl.** **24-02**

(52) **U.S. Cl.**
USPC **D24/146**

(58) **Field of Classification Search**
USPC D24/133, 146, 147, 149, 108
CPC A61B 17/1604; A61B 17/1688; A61B 17/142; A61B 17/144; A61B 17/16; A61B 17/320016; A61B 17/8872
See application file for complete search history.

(56) **References Cited**

U.S. PATENT DOCUMENTS

5,997,298	A *	12/1999	Nowak	A61B 17/1604
					433/165
D466,213	S *	11/2002	Snitkin	D24/133
D562,981	S *	2/2008	Trissel	D24/133
D631,154	S *	1/2011	Hamilton	A61B 18/1477
					D24/133
D699,342	S *	2/2014	Suzuki	D24/114

D699,348	S *	2/2014	Morejon	D24/147
D778,443	S *	2/2017	Brannon	D24/147
2001/0037114	A1 *	11/2001	Dinger	A61B 17/1657
					606/85
2013/0261630	A1 *	10/2013	Courtney	A61B 17/16
					606/84
2016/0128716	A1 *	5/2016	Cao	A61B 17/320068
					606/84
2017/0000509	A1 *	1/2017	Kato	A61B 17/320016
2017/0120021	A1 *	5/2017	Krastev	A61B 17/1688

* cited by examiner

Primary Examiner — Thomas Johannes

Assistant Examiner — Samantha Q Lawrence

(74) *Attorney, Agent, or Firm* — Kim Winston LLP

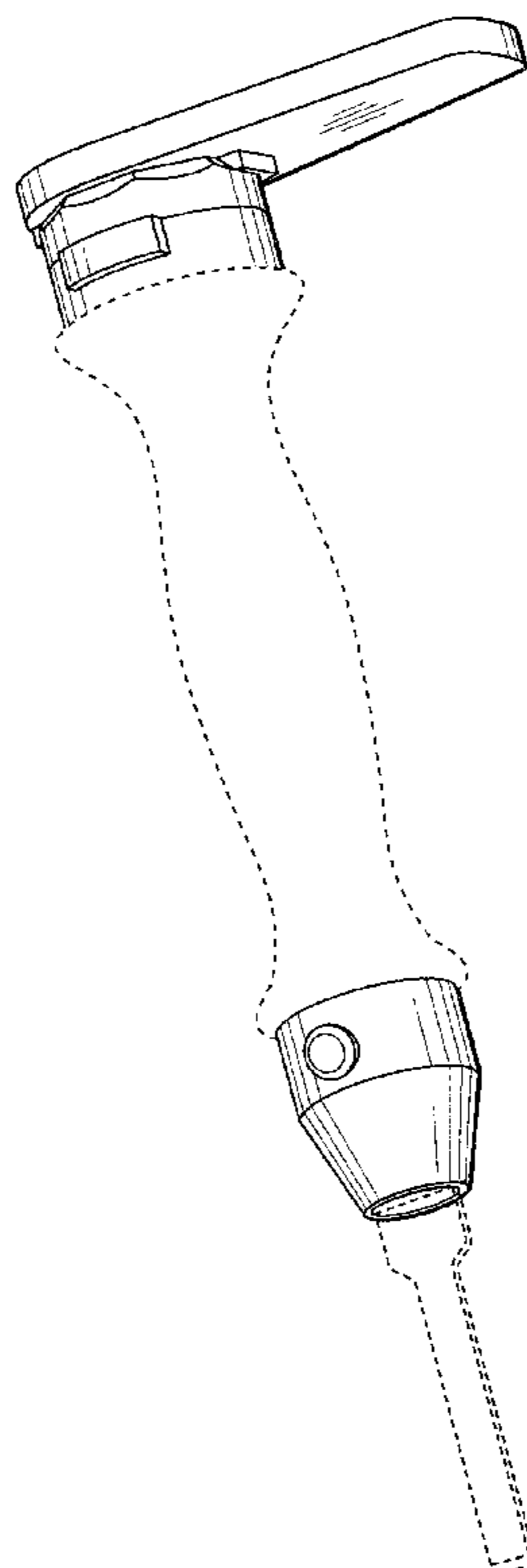
(57) **CLAIM**

The ornamental design for an osteotome, as shown and described.

DESCRIPTION

FIG. 1 is a perspective view of an osteotome in accordance with the new design;
 FIG. 2 is a bottom plan view of the osteotome of FIG. 1;
 FIG. 3 is a top plan view of the osteotome of FIG. 1;
 FIG. 4 is a front elevation view of the osteotome of FIG. 1;
 FIG. 5 is a rear elevation view of the osteotome of FIG. 1;
 FIG. 6 is a right side elevation view of the osteotome of FIG. 1; and,
 FIG. 7 is a left side elevation view of the osteotome of FIG. 1.
 The broken lines in FIGS. 1-7 illustrate portions of the osteotome which form no part of the claimed design.

1 Claim, 4 Drawing Sheets



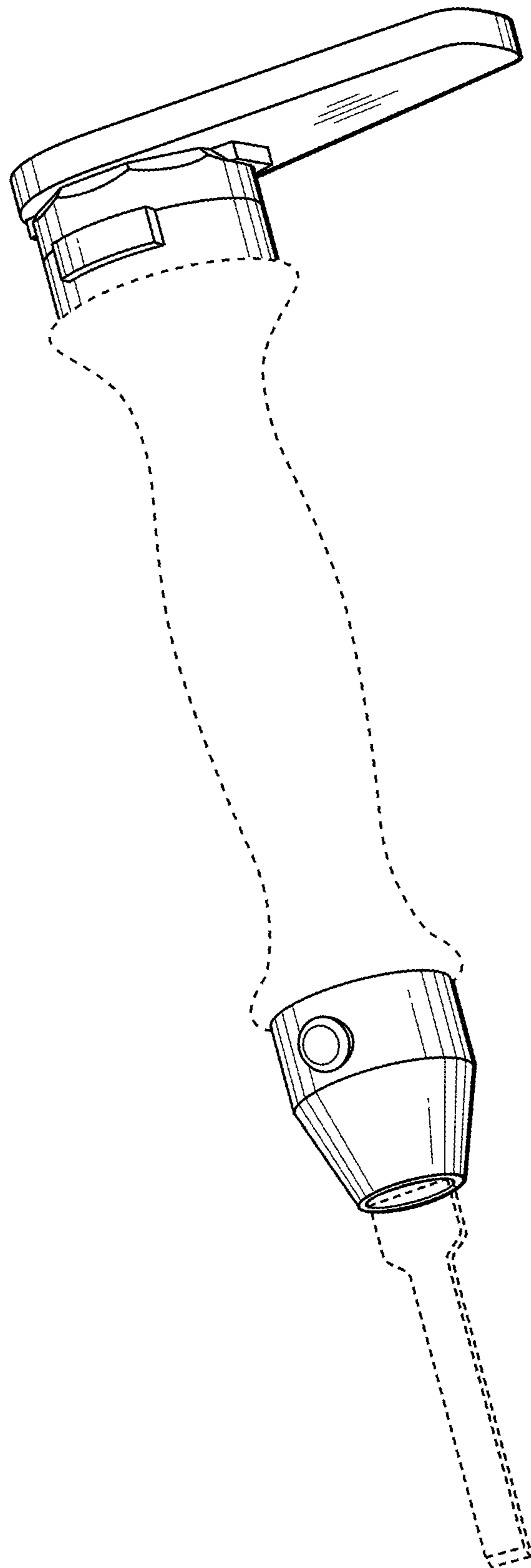


FIG. 1

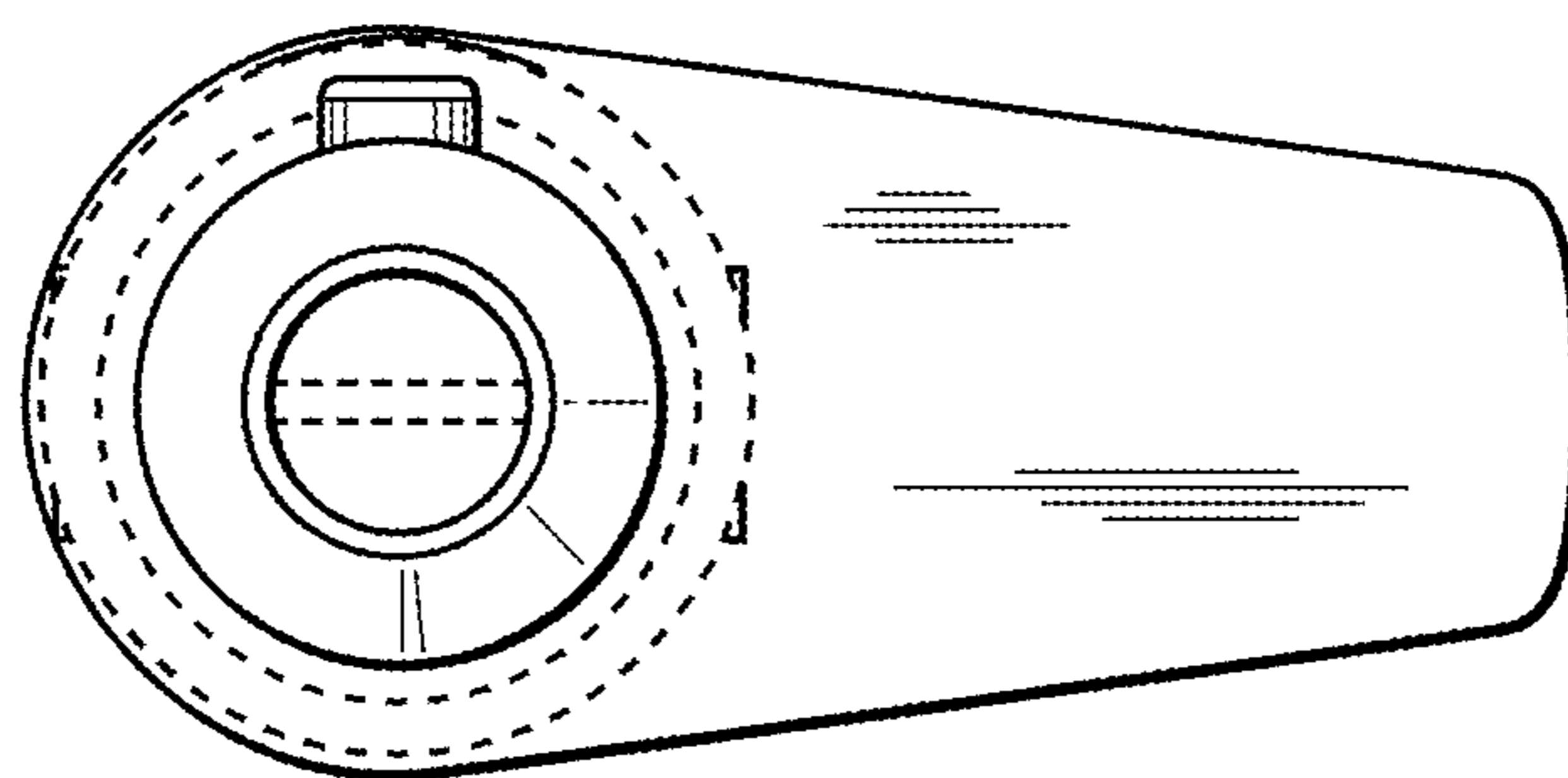


FIG. 2

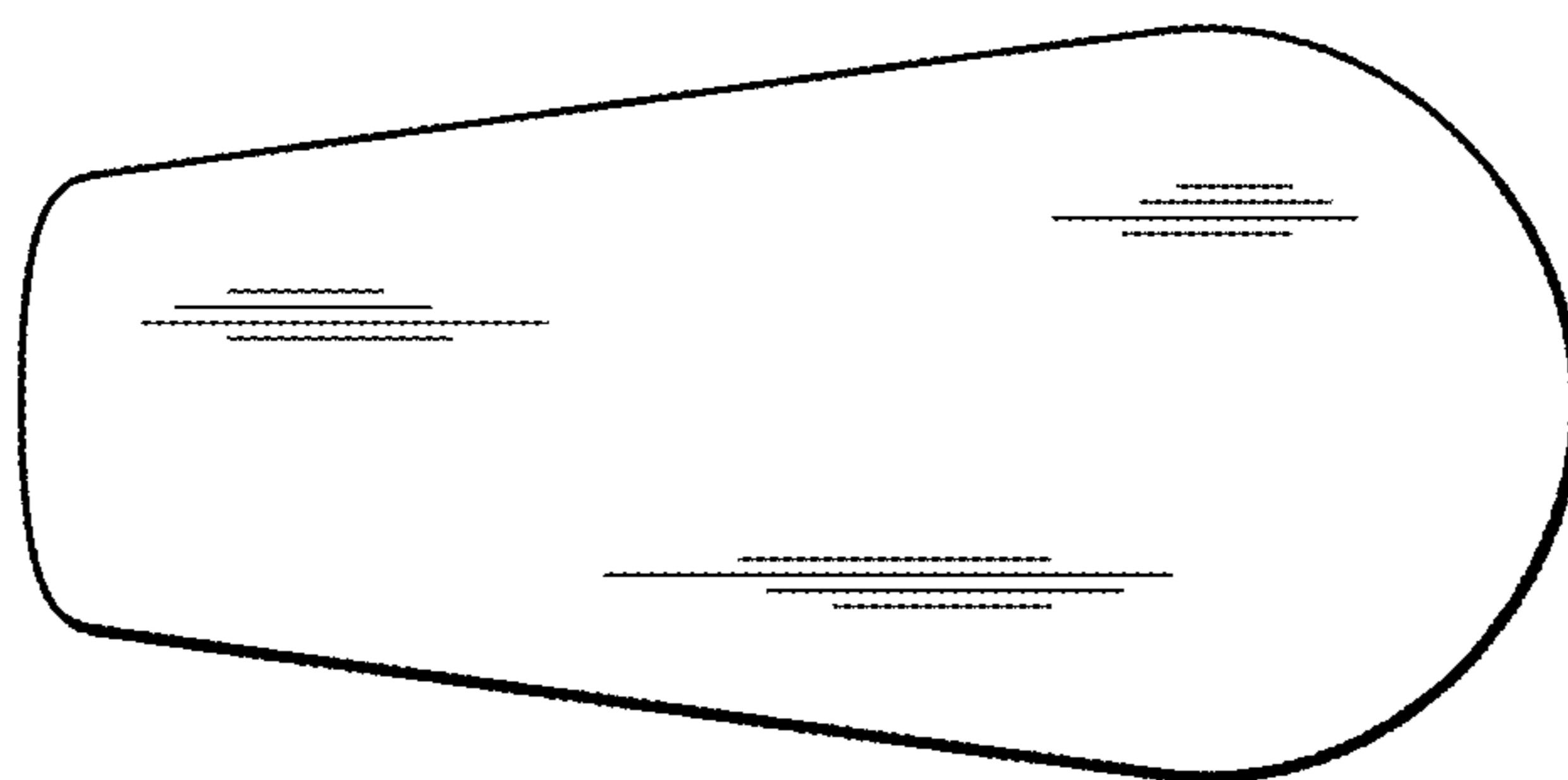


FIG. 3

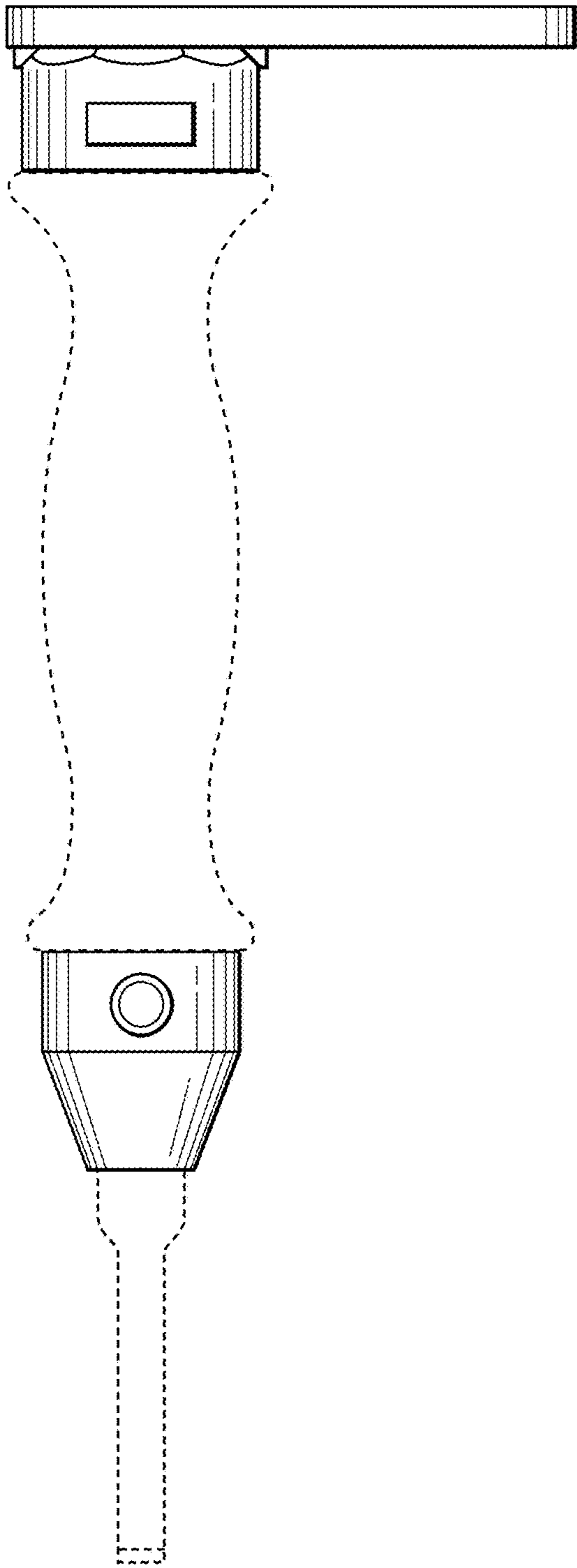


FIG. 4

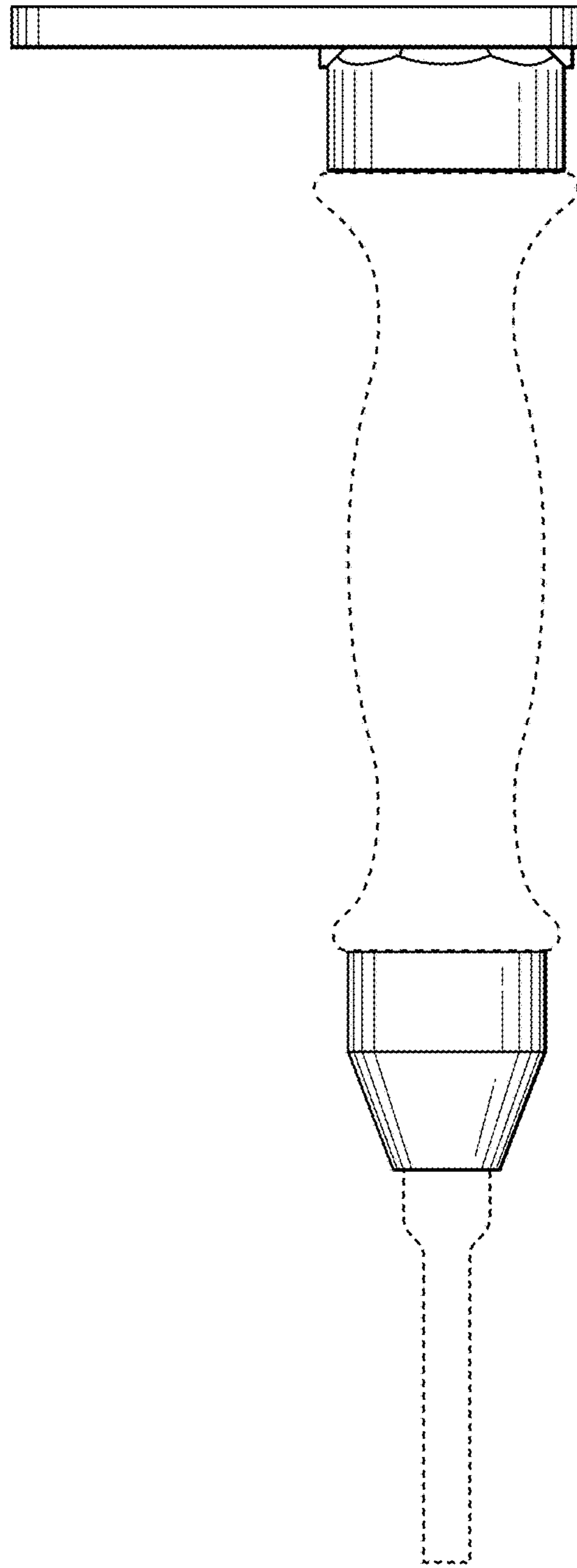


FIG. 5

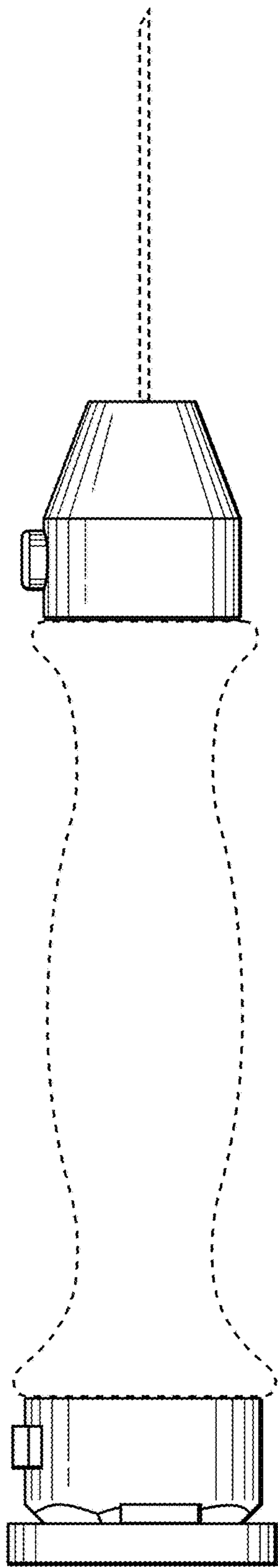


FIG. 6

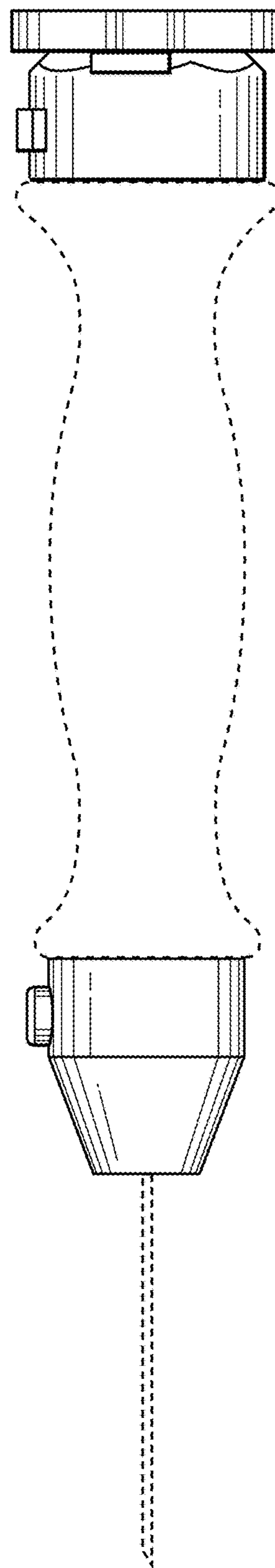


FIG. 7